

Builder's Hardware for PVC windows and patio doors



Tilt-turn and side hung fittings

Turn handles



Parallel slide and tilt fittings

Slide-fold fittings

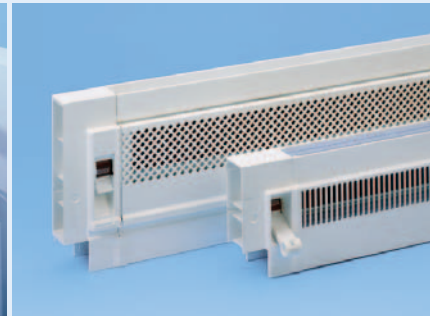
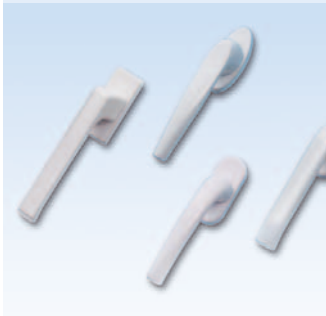


Lift-slide and lift-tilt-slide fittings
Horizontal and vertical pivot fittings



Fan-light openers

Ventilators for windows



K



**Qualité:
G.U certifié avec succès**

La norme DIN ISO 9001 définit les exigences à la structure et le mode de travail de l'entreprise et de sa gestion de qualité.

En 1995 le comité AGQS e.V. a certifié l'introduction avec succès d'un système de management de qualité conforme à la norme DIN ISO 9001 dans la Société Gretschn-Unitas GmbH Baubeschläge. La fabrication de produits de qualité est un but permanent pour G.U. Le certificat confirme que la coopération interne de la Société – du développement des produits jusqu'à la distribution et le service pour les clients – correspond également à ce but.

**Qualität:
G.U erfolgreich zertifiziert**
DIN ISO 9001 definiert die Anforderungen an die Struktur und Arbeitsweise des Unternehmens und seines Qualitätsmanagements.

1995 bescheinigte die AGQS e.V. der Gretschn-Unitas GmbH Baubeschläge die erfolgreiche Einführung eines Qualitätssicherungssystems entsprechend DIN ISO 9001. Die Herstellung von Qualitätsprodukten ist für G.U ein beständiges Anliegen. Die Zertifizierung bestätigt, dass auch die betriebsinternen Abläufe – von der Entwicklung bis zum Vertrieb und Kundenservice – mit diesem Anliegen übereinstimmen.

**Quality:
G.U successfully certified**

DIN ISO 9001 defines the requirements to structure and working methods of the enterprise and its quality management. In 1995 the committee AGQS e.V. has certified the successful introduction of a quality management system according to DIN ISO 9001 in the company Gretschn-Unitas GmbH Baubeschläge. The production of quality hardware is a permanent concern for G.U. The certificate confirms that the internal cooperation of the company – from product development to distribution and customer's service – also corresponds to this concern.

Product group

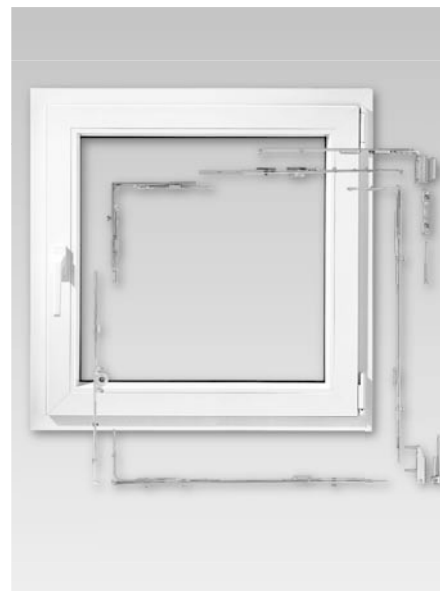
| | | |
|----------------|--|-----------|
| | Catalogue programme | 1 |
| D | Tilt-turn, side hung and tilt sash fittings | 2 |
| T | Turn handles | 3 |
| B | Parallel slide and tilt fittings, slide-fold fittings | 4 |
| F A | Lift-slide and lift-tilt-slide fittings, horizontal and vertical pivot fittings | 5 |
| G | Fan-light openers and electric drives | 7 |
| J | Ventilators for windows | 8 |
| I | Smoke and heat venting systems | 9 |
| | Product programme | 12 |

Tilt-turn fitting system UNI-JET

Fittings for single and double sash windows and patio doors made of timber, PVC and aluminium – for manual and automatised hardware assembly – for all sizes of window fabricators.

- Comprehensive product range: Tilt-turn, side hung, tilt and first tilt fittings, also for round arch head and oblique angle head windows, in standard version as well as in tested or untested security classes

- Advantages:
 - automatic locking pins
 - central locking mechanism from standard (basic security) up to WK 2
 - tilt-turn stays with integrated slit ventilation
- All fittings with surface sealing ferGUard*silver
- Sash components with clip connection



Technical details, fitting variants

| Fitting variants | Sash width mm | Sash height mm | Sash weight kg |
|-----------------------|---------------|----------------|-------------------|
| Timber and PVC | | | |
| UNI-JET M, UNI-JET S | 280-1600 | 350-2450 | up to 130 |
| UNI-JET D, UNI-JET DV | 280-1600 | 350-2450 | up to 100 |
| Aluminium | | | |
| JET AK 8 | 355-1700 | 500-2400 | up to 130 |
| UNI-JET C | 280-1600 | 350-2450 | 80 / 130 optional |

Parallel slide and tilt fittings

Fittings for parallel slide and tilt units with 2 - 4 sashes.

- One handle operation, stays with forced control (mZ)
- Up to 200 kg sash weight without additional runner
- Designed for sash rebate widths up to 2000 mm (from SRW 1.850 mm with 3rd stay)
- Sashes in tilt position secured against being pushed open
- Multi-level security concept



Technical details, fitting variants

| Fitting variants | Sash width mm | Sash height mm | Sash weight kg |
|-----------------------|---------------|----------------|----------------|
| Timber and PVC | | | |
| G.U-966/200 mZ | 720-2000 | 820-2370 | up to 200 |
| G.U-966/150 mZ | 720-1600 | 820-2370 | up to 150 |
| G.U-966/150 oZ | 640-1600 | 700-2350 | up to 130 |
| G.U-90 oZ | 700-1600 | 700-2350 | up to 90 |
| Aluminium | | | |
| G.U-968/200 mZ | 720-2000 | 820-2370 | up to 200 |
| G.U-968/150 mZ | 720-1600 | 820-2370 | up to 150 |
| G.U-968/150 oZ | 600-1600 | 730-2400 | up to 130 |
| G.U-90 oZ | 600-1600 | 730-2400 | up to 90 |

Lift-slide fitting programme / HS-Master Lift-tilt-slide fittings

Fittings with one handle operation for units with 2 to 6 sashes.

- Lift-locking gear with extended range of application
- Runners with new support
- Security package for all lift-slide units
- HS-**Master** – new convenience due to motor driven lift and slide
- All fittings with surface sealing ferGUard*silver
- Thresholds G.U-thermostep and frame covers



Technical details, fitting variants

| Fitting variants | Sash width mm | Sash height mm | Sash weight kg |
|----------------------------------|---------------|----------------|----------------|
| Timber, PVC and aluminium | | | |
| HS G.U-934 | 720-3300 | 800-2765 | up to 300 |
| HS G.U-937 | 720-2200 | 800-2765 | up to 150 |
| HS G.U-939 | 470-1900 | 1175-2350 | up to 90 |
| HSK G.U-954 | 720-3000 | 855-2750 | up to 250 |
| HSK G.U-957 | 720-2200 | 855-2750 | up to 150 |
| HS- Master | up to -3300 | up to -2750 | up to 300 |

Slide-fold fittings

Fittings for slide-fold units with 3 - 7 sashes.

- 2-wheel runners, bottom running (G.U-922, G.U-822) or top running (G.U-925, G.U-825)
- Runners, sash overlap, sash closing pressure and hinges are adjustable
- All fittings with surface sealing ferGUard*silver



Technical details, fitting variants

| Fitting variants | Sash width mm | Sash height mm | Sash weight kg |
|-----------------------|---------------|----------------|----------------|
| Timber and PVC | | | |
| G.U-922 | 400- 900 | 850-2450 | up to 80 |
| G.U-925 | 400- 900 | 850-2450 | up to 80 |
| Aluminium | | | |
| G.U-822 | 400-1000 | 730-2400 | up to 80 |
| G.U-825 | 400-1000 | 730-2400 | up to 80 |

Horizontal and vertical pivot fittings

Fittings for horizontal and vertical pivot windows with peripheral gasket:

Technical details, fitting variants

| Fitting variants | Sash width mm | Sash height mm | Sash weight kg |
|--|---------------|----------------|----------------|
| Horizontal pivot fittings – timber | | | |
| UNITAS 5 Bo, 7 Bo | 576-2950 | 700-2200 | up to 175 |
| UNITAS 10/22° | 576-2950 | 700-2200 | up to 300 |
| UNITAS 4 (circular window) | 424-2016 Ø | | up to 100 |
| FERCO 44 E | 576-1450 | 700-2000 | up to 80 |
| FERCO 45 E | 576-1450 | 700-2200 | up to 120 |
| Horizontal pivot fittings – PVC | | | |
| UNITAS 15, 16 | 576-2950 | 700-2200 | up to 175 |
| Horizontal pivot fittings – aluminium | | | |
| UNITAS 18 | 580- | 600- | up to 175 |
| Vertical pivot fittings | | | |
| UNITAS 93 Bo (timber) | 782-1600 | 1250-2350 | up to 175 |
| UNITAS 88 (aluminium) | 600- | 600- | up to 175 |



Fan-light openers

Slimline opener with face-fixed stays for tilt (bottom hung inward opening) units with one or more sashes.

- Vertical and horizontal rods covered with aluminium profile
- Operation via lever handle, vertical gear or corner gear. Electric drives for individual or group control
- Fittings for rectangular, oblique angle head, arch head and segmental arch head tilt windows, also in Se version.
- Fittings for top hung outward opening windows



Technical details, fitting variants

| Fitting variants | Sash width mm | Sash height mm | Opening width mm |
|----------------------------------|---------------|----------------|------------------|
| Timber, PVC and aluminium | | | |
| VENTUS F 200 | 400-3600 | from 250 | 165 / 200 |
| VENTUS F 300 | 620-3600 | from 350 | 220 / 300 |

G.U security stay EURO-SOLID

- Secure holding of tilt sashes after disengagement of the opening stay – e.g. for cleaning the outside face

G.U-DUCO ventilators, sound absorbing ventilators

Ventilators manufactured from extruded aluminium profiles for adjustable, energy saving and sound reducing ventilation. Installation in the frame or glazing rebate of timber, PVC and aluminium windows.

G.U-DUCO ventilators

- Thermally broken flap and rotating drum ventilators with sealing lips or finseal brushes
- Controlled via lever, rod or cord
- Max. length of ventilator: 3000 mm
- Installation at top or bottom of glazing

UNITAS sound absorbing ventilator, type 100

- Sound absorbing ventilator with or without fan, fan performance 50 m³/h
- Sound reduction factor $R_w = 32$ to 50 dB
- Installation in frame or glazing rebate

G.U-SILENCIO sound absorbing ventilator

- Through-the-wall sound absorbing ventilator, telescopic tube with 85 mm or 105 mm diameter



The newly developed sealing ferGUard*silver sets the standard

Surface coating free of chromate providing optimum corrosion protection = ferGUard

- Over the years, plaster, cement, paint and cleaning detergents considerably affect the surface of builder's hardware. Possible consequence: claims
- Due to the surface sealing ferGUard*silver, damage through corrosion involving reclamation is reliably prevented. The finish ferGUard*silver consists of a new combined coating (zinc + passivation without hexavalent chromium + additional coating) of superior anti-corrosive qualities.
- The coats are applied without organic components, heavy metals and hexavalent chromium; that is, the new surface sealing ferGUard*silver is environment-friendly and up to date.
- Another advantage:
The new finish ferGUard*silver produces an impressively even, silvery finish on the fitting parts: A new, additional sales argument with your customers.

How does the additional coating work?

As before, the fitting parts are protected by a zinc coat with succeeding yellow passivation (method: zinc + standard chromizing).

The new additional coat was developed in cooperation with leading suppliers of chemical engineering and with the automotive industry.

After the usual treatment, the fitting components are covered with an inorganic coat in an additional procedure.

This process step is carried out on a fully automatic and computer controlled production line.

The additional coat deeply permeates into the passivated coat, sealing the whole component firmly and permanently.

Special corrosion inhibitors additionally retard the beginning of corrosion.

All in all, the new **G.U finish** offers to dealers, manufacturers and customers a large variety of **advantages**:

- Considerably improved corrosion protection due to additional coating.
- Longer product life of windows and doors.
- Without organic components and heavy metals, the new G.U finish is environment-friendly and up to date.
- If there is mechanic damage to the surface or if a component is cut (e.g. forend cut to length), the blank spot will not corrode due to the sacrificial protective effect of the zinc coat.
- Fewer customer claims due to a finish more resistant against detergents and household chemicals than others.
- Even, silvery finish of fitting parts throughout our complete product range.
- Complying with the environmental regulations of the EC, our newly developed coating system ferGUard*silver does not contain hexavalent chromium.

Product group

D **Tilt-turn, side hung and tilt sash fittings**

2

Tilt-turn, side hung and tilt sash fittings, miscellaneous fittings for PVC windows and patio doors

Introduction, product information

| | |
|---|------|
| Introduction | 2.3 |
| Product liability guidelines | 2.4 |
| Product information tilt-turn, side hung and tilt sash fittings UNI-JET | 2.6 |
| Specified application UNI-JET locking mechanism | 2.8 |
| Specified application UNI-JET hinge side | 2.9 |
| Fitting arrangements and size of sashes | 2.10 |

Optional parts for UNI-JET locking mechanisms

| | |
|--|------|
| Turn handles DIRIGENT-F | 2.11 |
| Optional parts | 2.12 |
| Corner transmissions | 2.12 |
| Sash positioner, wedge plates | 2.12 |
| Gears | 2.12 |
| Double stays | 2.13 |
| Rebate shoot bolt EURO, rebate shoot bolt ZH | 2.13 |
| Security fittings | 2.13 |
| Middle hinges | 2.14 |
| Door catches | 2.14 |
| Shoot bolts | 2.14 |
| Accessories for alarm installations | 2.14 |
| Integrated slit ventilation iS | 2.14 |
| Blocking locks | 2.14 |
| Forend | 2.14 |
| JET slit ventilation catch | 2.15 |
| JET sash restrictor | 2.15 |

Locking mechanisms UNI-JET – fixed gear position

| | |
|---|------|
| Basic security | |
| Tilt-turn fittings – 1 sash | 2.16 |
| Side hung fittings – 1 sash | 2.17 |
| Inactive sash fittings ZH – 2 sashes | 2.18 |
| Tilt-turn fittings – 2 sashes | 2.19 |
| Inactive sash fittings ZH – 2 sashes | 2.20 |
| Side hung fittings – 2 sashes | 2.21 |
| Inactive sash fittings ZK – 2 sashes | 2.22 |
| Arch head fittings – 1 sash | 2.23 |
| Oblique angle head fittings – 1 sash | 2.24 |
| Ahs Standard, Ahs Extra and WK 2 | |
| Tilt-turn fittings Se – 1 sash | 2.26 |
| Side hung fittings Se – 1 sash | 2.27 |
| Inactive sash fittings ZH Se – 2 sashes | 2.28 |
| Tilt-turn fittings Se – 2-flg. | 2.29 |
| Inactive sash fittings ZH Se – 2 sashes | 2.30 |
| Side hung fittings Se – 2-flg. | 2.31 |
| Inactive sash fittings ZK Se – 2 sashes | 2.32 |

Locking mechanisms UNI-JET – variable gear position

| | |
|---|------|
| Basic security | |
| Tilt-turn fittings – 1 sash | 2.34 |
| Side hung fittings – 1 sash | 2.35 |
| Inactive sash fittings ZH – 2 sashes | 2.36 |
| Tilt-turn fittings – 2 sashes | 2.37 |
| Inactive sash fittings ZH – 2 sashes | 2.38 |
| Side hung fittings – 2 sashes | 2.39 |
| Arch head fittings – 1 sash | 2.40 |
| Oblique angle head fittings – 1 sash | 2.41 |
| Ahs Standard, Ahs Extra and WK 2 | |
| Tilt-turn fittings Se – 1 sash | 2.42 |
| Side hung fittings Se – 1 sash | 2.43 |
| Inactive sash fittings ZH Se – 2 sashes | 2.44 |
| Tilt-turn fittings Se – 2 sashes | 2.45 |
| Inactive sash fittings ZH Se – 2 sashes | 2.46 |
| Side hung fittings Se – 2 sashes | 2.47 |

Locking mechanisms UNI-JET – tilt sashes

| | |
|-----------------------------|------|
| Grundsicherheit | |
| Tilt sash fittings – 1 sash | 2.48 |
| Tilt sash gears – 1 sash | 2.49 |

Hinge side UNI-JET, optional parts

| | |
|--|------|
| Tilt-turn, side hung and tilt sash fittings UNI-JET, Drill-in | |
| UNI-JET D | 2.50 |
| UNI-JET DV | 2.53 |

Gears, rebate shoot bolt Euro

| | |
|-------------------------------|------|
| Gears AP 25 – AP 50, lockable | 2.54 |
| Gears 25 – 50, non-lockable | 2.55 |
| Rebate shoot bolt Euro | 2.57 |

Locking plates, door catches, shoot bolts and packings

| | |
|---|------|
| Burglary-resistant fittings – "Basic security" | |
| Single-sash windows and patio doors | 2.59 |
| Double-sash windows and patio doors without mullion with UNI-JET rebate shootbolt ZH and EURO | 2.65 |
| Double-sash windows and patio doors without mullion with shoot bolt | 2.68 |
| Burglary-resistant fittings – Ahs and WK 2 | |
| Single- and double-sash windows and patio doors | 2.62 |

Drilling jigs, assembly tools

| | |
|-----------------------|------|
| UNI-JET D, UNI-JET DV | 2.71 |
|-----------------------|------|

Miscellaneous fittings – product group "N"

| | |
|----------------------------------|------|
| Introduction | 2.73 |
| Product information, application | 2.74 |
| Window friction stay EGO | 2.76 |
| Casement window fittings | 2.76 |

Thresholds DKS

| | |
|---|------|
| Threshold DKS for patio doors according to DIN 18 025 "Barrier-free living" | 2.77 |
| Threshold-to-frame connector DKH, Threshold-to-mullion connectors DKH | 2.78 |
| Bottom profile DKU, enlargement profile DKA, cover profile, connecting piece, locking plate, tilt locking plate | 2.79 |
| Installation | 2.80 |

Order catalogue, part 2 Tilt-turn, side hung and tilt sash fittings for PVC windows and patio doors

Contents

Part 2 of the present order catalogue contains all tilt-turn, side hung and tilt sash fittings as well as accessories UNI-JET for PVC windows and patio doors according to the latest state of the art.

The following indications will make you familiar with the concept of the catalogue and help you to handle it easily.

Catalogue structure

The present catalogue part is structured in the following way:

- Optional parts and turn handles for locking mechanisms
- Locking mechanisms UNI-JET
- Hinge side tilt-turn, side hung and tilt sash fittings UNI-JET, optional parts
- Single parts and accessories
- Drilling and positioning jigs
- Locking plates

Optional parts and turn handles for locking mechanisms

The option pages show you optional parts and turn handles for all tilt-turn, side hung and tilt sash fittings at a glance. All supplements of standard versions are clearly arranged.

Locking mechanisms UNI-JET

Fitting requirements according to size of sashes and schemes

The illustrations of the fittings are supplemented by corresponding parts tables helping to determine the hardware required depending on the size of the sashes. Parts supplementing standard versions are clearly presented and can be easily selected.

Hinge side UNI-JET tilt-turn, side hung and tilt sash, optional parts

Fitting requirements for scheme A to E

The illustrations of the fittings are supplemented by corresponding parts tables helping to determine the hardware composition.

Parts supplementing standard versions are clearly presented and can be easily selected.

Single parts and accessories

Gears, rebate shoot bolts and accessories are presented with useful indications to application and packing units.

Drilling and positioning jigs

Drilling jigs, positioning jigs and auxiliary tools for hardware assembly are grouped according to fitting types.

Locking plates

Locking plates are grouped according to opening method, profile features and burglary resistance class of the fittings.

Order numbers

The order number gives information about

- the article
- its size
- its application – e.g. DIN lh or DIN rh
- its colour/finish

Example

Order number
6-28743-03-L-1

| | | |
|----------|------|---|
| 6-28743- | - - | Article number |
| - | -18- | Size |
| - | -L- | DIN left hand (hinge side) |
| - | -R- | DIN right hand (hinge side) |
| - | -0- | Usable on both sides |
| - | - -1 | F 1/EV 1, natural (silver colour), ferGUard*silver |
| - | - -2 | F 2/EV 2, champagne colour |
| - | - -3 | F 3, brass colour (gold colour) |
| - | - -4 | UC 3, medium bronze (medium brown) |
| - | - -A | F 4, bronze colour |
| - | - -5 | UC 5, dark bronze (dark brown RAL 8022) |
| - | - -6 | onyx matt (black) |
| - | - -7 | white, powder-coated (RAL 9016) |
| - | - -* | Surface treatment variable (available colours see price list) |

Prices

Single part price list »Total programme«

The prices are listed by ascending article numbers.

Additional sales documentation

Apart from the order catalogue, the following documentation on tilt-turn, side hung and tilt sash fittings UNI-JET is available:

- Brochures and leaflets informing about product features and advantages
- Presentation boards of all fitting versions
- Working drawings with mounting instructions
- Instructions for maintenance and care

G.U Data service

HardwareManager

Software designed for the composition and ordering of customer and order related hardware sets for timber and PVC windows and patio doors.

Hardware Data Service

Generation of individual hardware data for the leading window manufacturing software programmes; supply of CNC data for the control of operating processes in window and door manufacture.

Order and customer information system CIS

The CIS system offers versatile communication possibilities:

- online ordering
- availability check
- order tracing
- information on current product range and prices

Contactgt: <http://cis.g-u.de>

Side hung and tilt-turn hardware for windows and patio doors

According to the defined manufacturer's liability described in paragraph 4 of the German "product liability law", the following information regarding side hung and tilt-turn hardware for window and patio door sashes should be observed. Non-compliance exempts the manufacturer of his liability.

1. Product information and specified application

Side hung and tilt-turn hardware as covered by this definition is one-hand-operation side hung and tilt-turn hardware for windows and patio doors in building construction.

It is used to enable window and patio door sashes to be operated by 'handlever' (handle) or into a limited tilting position in the case of the scissors (sash-stay) version.

Side hung and tilt-turn hardware is used on vertically installed windows and patio doors made of timber, PVC, aluminium or steel and their corresponding material combinations.

Conventional side hung and tilt-turn hardware as covered by this definition, locks window and patio door sashes and enables various ventilating positions. When closing, the gasket counter force must be overcome as a rule. Differing applications do not correspond to its specified application.

Burglar-resistant windows and patio doors, windows and patio doors for damp rooms and those for use in environments with aggressive, corrosive air content, require hardware adapted for the respective application and individually agreed upon performance features.

Opened window and patio door sashes achieve only a shielding function and do not meet any demands on joint impermeability, water tightness, sound reduction, heat insulation and burglary resistance.

In the case of wind and draught, the window and patio door sashes must be closed and locked. Wind and draught as covered by this definition is present, if a window or patio door sash while in one of its opening positions, can open or close on its own, in an uncontrolled manner by means of either air pressure or air suction.

A static opening position of windows and patio door sashes can only be achieved with additional hardware.

2. Misuse

Misuse – product not used as specified – of side hung and tilt-turn hardware for windows and patio doors occurs in particular:

- if obstacles are inserted in the opening vicinity between frame and sash, thus preventing its proper specified use.
- when window and patio door sashes are pressed adversely or uncontrolled (for example by the wind) up against the window reveals, so that the hardware, the frame material or other individual window or patio door sash components are damaged or destroyed and/or if consequential damage can arise.
- if additional loads are put on windows or patio door sashes (for example if children swing on the window or patio door sash).
- if while closing the window and patio door sashes, someone reaches into the rebate between the sash and frame (injury hazard).

3. Liability

The respective entire hardware set may only consist of hardware components from the G.U system UNI-JET. In the case of inappropriately assembled hardware, and/or in case of non original accessory components and/or non factory-approved accessory components, no liability is accepted.

4. Product performance

4.1 Maximum sash weights

The following listed maximum sash weights for the individual hardware versions must not be exceeded.

| Type of hardware | Maximum sash weight kg |
|--|------------------------|
| UNI-JET D | 100 |
| UNI-JET D R – arch head windows | 60 |
| UNI-JET D S – oblique angle head windows | 100 |
| UNI-JET M 20/12 with cup shaped corner bearing | 130 |
| UNI-JET M 20/12 S with cup shaped corner bearing | 100 |

| Type of hardware | Maximum sash weight kg |
|--|------------------------|
| UNI-JET M 6/12 with twin cup | 100 oder 130 |
| UNI-JET M 6/12 R with twin cup | 60 |
| UNI-JET M 6/12 S with twin cup | 100 |
| UNI-JET M 6/4 with twin cup | 100 oder 130 |
| UNI-JET M 6/4 R with twin cup | 60 |
| UNI-JET M 6/4 S with twin cup | 100 |
| UNI-JET M 6/4 i with twin cup | 100 oder 130 |
| UNI-JET M 6/4 iR with twin cup | 60 |
| UNI-JET M 6/4 iS with twin cup | 100 |
| UNI-JET S | 130 |
| UNI-JET S R – arch head windows | 60 |
| UNI-JET S S – oblique angle head windows | 100 |
| UNI-JET S-CONTURA | 130 |
| UNI-JET DV | 100 |

4.2 Permissible sash sizes of tilt-turn windows and patio doors

The application diagrams below show the relation of permissible sash rebate widths and sash rebate heights, depending on various glass weights and/or thicknesses. The resulting sash rebate dimensions or sash formats (upright and/or horizontal format) – as well as the maximum sash weight – must not be exceeded under any circumstances.

The values of the sash rebate widths (SRW) and the sash rebate heights (SRH) represent the grid spacings of double stay arms and gears with fixed or variable handle position. Moreover, DIN 68121, part 1, »Timber profiles for windows and patio doors « as well as the regulations of PVC or aluminium profile manufactureres are to be observed.

Taking into account the permissible sash dimensions and the glazing, the maximum permissible sash weight must not be exceeded.

4.3 Hardware composition

The manufacturer's regulations concerning the composition of hardware are obligatory (for example the application of additional stay arms, the hardware design for burglary resistant window and patio door sashes).

5. Product maintenance

Security relevant hardware components are to be examined at least once a year for stability and wear and tear. Depending on the requirements, the fixing screws are to be tightened and/or parts replaced. In addition to this, the following maintenance work is to be carried out annually:

- All movable parts and all locking points of the side hung and tilt-turn hardware are to be greased and tested.
- Only cleaning and maintenance agents which do not damage the corrosion protection of the hardware components are to be used.

The hardware adjustments – particularly in the vicinity of the corner pivot rest and the scissors – as well as replacing parts and the unhinging and hinging of the active sash are to be carried out by a specialist company.

During surface treatment – for example when painting or varnishing – the window and patio door hardware must be excluded from this process and must also be protected against any impurities (paint/varnish splashes).

5.1 Retention of the surface quality

In order to permanently preserve the hardware's surface quality and to avoid deterioration by corrosion, it is imperative to observe the following points:

- The hardware and/or the rebate areas are to be ventilated sufficiently in particular during the building phase so that they are not exposed either to direct wetness or condensation.
- The hardware is to be kept free from deposits and soiling from building materials (building dust, plaster, cement etc.).
- Furthermore no acetic acid or cross-linked acidic sealing compounds or those with the above mentioned contents may be used, since both the direct contact with the sealing compound and its vaporisation can attack the surface.
- The hardware may only be cleaned with mild, pH-neutral cleaning agent in diluted form. Under no circumstances may aggressive cleaners or abrasive cleaning agents whose contents are listed in the above paragraph be used.

Side hung and tilt-turn hardware for windows and patio doors

6. Obligation to issue information and instructions

To fulfil the information and instruction obligations as well as the maintenance operations according to the "product liability law", the following documentation is made available:

- for planning engineers "planning documents"
- for authorized dealers "catalogues"
- for fabricators "installation instructions" and "assembly drawings"
- for builders and end users: "service and maintenance instructions" as well as "operating manuals".

In order to safeguard the function of side hung and tilt-turn hardware for windows and patio doors:

- Planning engineers are obliged to request and comply with the manufacturers' or authorized dealers' product information.

- The authorized dealers are obliged to observe and request the product information from the manufacturer and to pass them on to the fabricators, in particular installation instructions, assembly drawings, service and maintenance instructions as well as operating manuals.
- Fabricators are obliged to observe the product information and in particular to request service and maintenance instructions as well as operating manuals from the manufacturer or authorized dealer and to pass them on to the builders and end users.

7. Applicability for related hardware

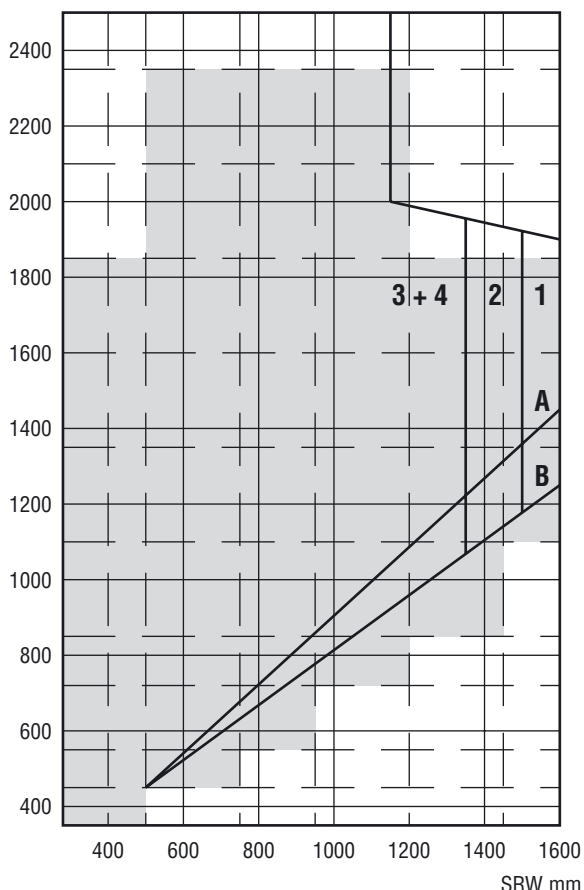
The variations possible within the individual hardware system – for example tilt and top hung hardware – are to be treated according to the corresponding valid features of product performance, product maintenance, specified use/application and misuse, product information and instruction obligations.

2

Maximum sash dimensions

Fixed gear position

SRH mm



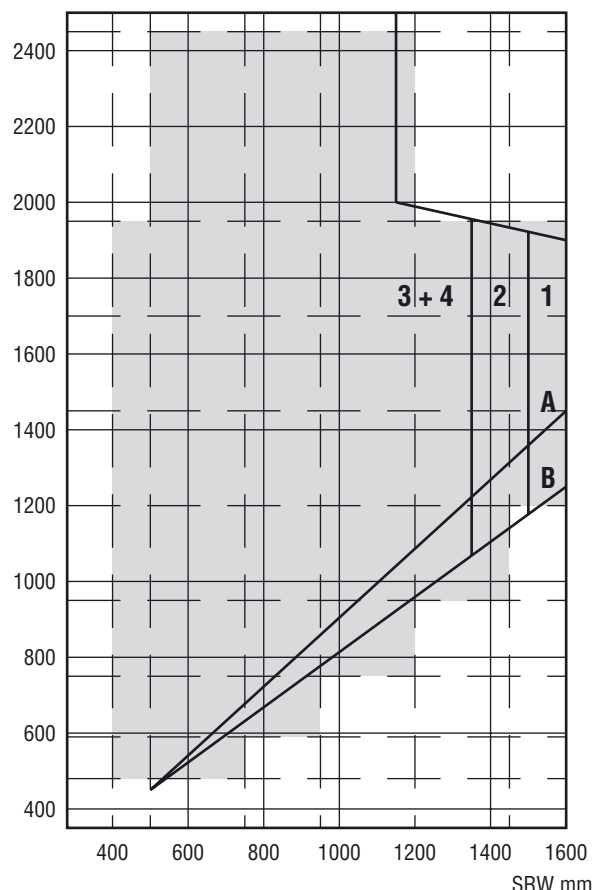
- 1 = maximum sash width for stress group 1, DIN EN 12207
- 2 = maximum sash width for stress group 2, DIN EN 12207
- 3 + 4 = maximum sash width for stress group 3 + 4, DIN EN 12207
- A = Use according to destination
- B = Side hung position only for occasional cleaning purposes (see DIN EN 12207, table NA.1)

The broken lines represent the grid spacings of the fittings.

Maximum sash dimensions

Variable gear position

SRH mm



- 1 = maximum sash width for stress group 1, DIN EN 12207
- 2 = maximum sash width for stress group 2, DIN EN 12207
- 3 + 4 = maximum sash width for stress group 3 + 4, DIN EN 12207
- A = Use according to destination
- B = Side hung position only for occasional cleaning purposes (see DIN EN 12207, table NA.1)

The broken lines represent the grid spacings of the fittings.

Tilt-turn, side hung and tilt sash fittings for PVC windows and patio doors

Application

Range of applications for tilt-turn and side hung fittings UNI-JET:

- single-sash windows and doors
- double-sash windows and doors without mullion
- single-sash doors, lockable
- double-sash doors, lockable, without mullion
- arch head and oblique angle head windows

UNI-JET locking mechanisms with automatic locking pins

UNI-JET locking mechanisms are concealed within the rebate with one handle operation. All locking points are made for the standard hardware groove of 16,3 mm width and 2,5 mm depth.

Automatic locking pins of steel

The automatic steel locking pins of the gear parts, stay arms, middle locks and corner transmissions are adjustable with Torx and supported with springs compensating for the rebate clearance; the spring travel is 1,2 mm.

Clip connections and couplings

Middle locks are clipped together.

All locking parts which can be shortened are fixed in turn position (mounting position); corner transmissions and middle locks are provided with rust-proof 4-leaf stainless steel springs.

UNI-JET tilt-turn stay arms with integrated slit ventilation

As a standard or with optional slit ventilation springs, tilt-turn stay arms allow for additional ventilation positions – more comfort with multi-stage ventilation. The stay arms are provided with an anti-bang safeguard.

The standard locking mechanism UNI-JET: Basic security

As a standard, UNI-JET locking mechanisms come in security class "basic security". For all opening methods, a steel mushroom pin locking plate "Se" is provided at the horizontal bottom towards the gear side. As a result, the protection against lifting attempts is improved in this crucial area.

Burglary-resistant locking mechanisms "Ahs Standard to RAL RG 607/13"

Corner transmissions with 2 automatic locking pins and hinge side middle locks with 1 automatic locking pin near the stay arm bearing fulfill the requirements of "Anti-lift security (Ahs) Standard to RAL RG 607/13". In the corner area of window and door sashes, zinc mushroom pin locking plates are applied.

Burglary-resistant locking mechanisms "Ahs Extra to RAL RG 607/13"

Corner transmissions with 2 automatic locking pins and hinge side middle locks with 1 automatic locking pin near the stay arm bearing fulfill the requirements of "Anti-lift security (Ahs) Extra to RAL RG 607/13". In the corner area of window and door sashes, Se mushroom pin locking plates of stainless steel are applied.

Burglary-resistant locking mechanisms "WK 2 to ENV 1627"

Burglary-resistant locking mechanisms "Ahs Extra to RAL RG 607/13" also fulfill the requirements of "Security class WK 2 to ENV 1627"; steel mushroom pin locking plates Se are used in the corner area of window and door sashes. By retrofitting locking mechanisms with steel mushroom pin locking plates Se, the subsequent enhancement to the burglary-resistance class "WK 2" is possible.

Burglary-resistant locking mechanisms "WK 3 to ENV 1627"

For burglary-resistant locking mechanisms to class "WK 3 to ENV 1627", additional UNI-JET components are applied.

Anti-lift security fittings AhS RAL-RG 607/13

UNI-JET anti-lift fittings to RAL-RG 607/13 are marked "AhS" in the catalogue.

Burglary-resistant windows ENV 1627 – 1630, April 99

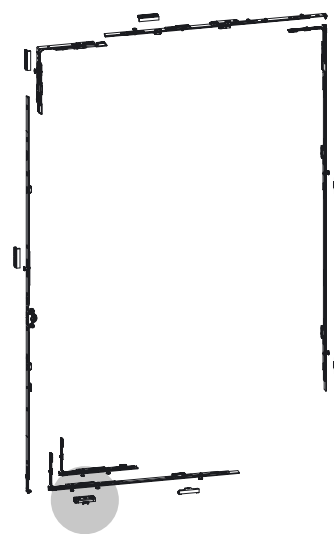
UNI-JET tilt-turn and side hung fittings suitable for the installation on burglary-resistant windows to ENV 1627 – resistance classes WK 2 and WK 3 – are marked in the catalogue "Security fittings to ENV 1627 – WK 2" or "Security fittings to ENV 1627 – WK 3".

The ENV 1627 – 1630 test evaluates the burglary-resistant effect of the complete window unit.

Locking mechanism

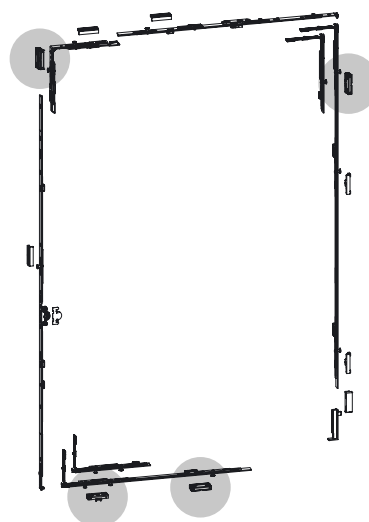
Basic security

- 1 Steel mushroom pin locking plate Se for
 - tilt function
 - standard security for locking mechanisms UNI-JET
 - all other locking pins with standard locking plates made of zinc



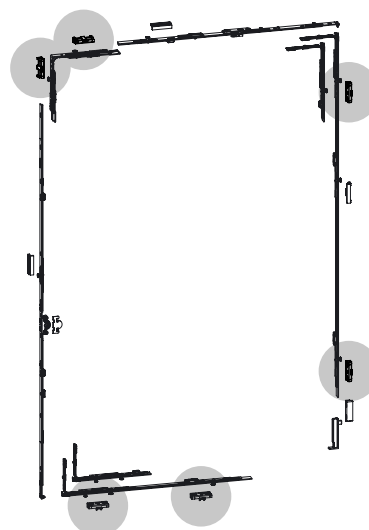
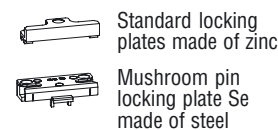
Ahs Standard according to RAL RG 607/13

- 1 Steel mushroom pin locking plate Se for
 - tilt function
- 3 Mushroom pin locking plates Ahs made of zinc for
 - security "Ahs-Standard" according to RAL RG 607/13
 - all other locking pins with standard locking plates made of zinc



Ahs Extra according to RAL RG 607/13 WK 2 according to ENV 1627

- 6 Steel mushroom pin locking plates Se for
 - tilt function
 - security "Ahs-Extra" according to RAL RG 607/13
 - security "WK 2" according to ENV 1627
 - all other locking pins with standard locking plates made of zinc



Tilt-turn, side hung and tilt sash fittings for PVC windows and patio doors

Execution of hinge sides

Tilt-turn and side hung fittings

UNI-JET D, UNI-JET D R, UNI-JET D S

Rebate hinge fittings with drill-in hinge or rebate corner hinge and rebate double stay for windows and patio doors with 12 mm rebate clearance up to 100 kg sash weight (for round arch windows max. sash weight 60 kg).

Rebate corner hinge, side hung sash hinge and middle hinge as well as double stay for 9 and 13 mm grooves – 18, 20 and 22 mm sash overlap. Corner bearing 3-way adjustable, symmetric drill pattern for stay arm bearings and corner bearing.

Tilt-turn and side hung fittings

UNI-JET DV, concealed – for windows with sash overlap

Fittings with concealed corner and stay arm bearings for windows with sash overlap. PVC windows with 12 mm rebate clearance. Sash weight up to 100 kg. Corner bearing 2-way adjustable.

Locking plates and packings

Frame profile specific locking plates and packings according to table (see at the end of this catalogue chapter).

Drilling jigs, assembly tools

Drilling jigs and other tools for hardware assembly are to be found at the end of this catalogue chapter and also on the respective working drawings.

Turn handles DIRIGENT

The handles are made of aluminium with concealed fixings. The rosettes have a robust retention feature and fixed cams. Lockable handles complete the programme.

Standard colours:

| | |
|-----------------|-------------------------------|
| F 1/EV 1 | Silver colour |
| F 2/EV 2 | Champagne colour |
| UC 5 | Dark bronze colour (RAL 8022) |
| White | White colour (RAL 9016) |

Materials, surface sealing ferGUard* silver

The fitting components are made of high-quality steel, zinc die cast or aluminium alloys.

Depending on the material, the components are protected against corrosion with the surface sealing ferGUard* silver or by anodisation.

Standard surface sealing of tilt-turn fittings: ferGUard* silver

All locking parts of tilt-turn fittings come with the surface sealing ferGUard* silver.

Abbreviations

| | |
|------|---|
| C | Concealed |
| CB | Cylinder bore |
| G | Fixed gear position |
| GV | Variable gear position |
| lh | Left hand |
| ML | Middle lock |
| PU | Packing unit |
| R | Round arch head window |
| rh | Right hand |
| S | Oblique angle head window or door |
| Se | Security fittings |
| SH | Side hung window or door |
| ST | Sash thickness |
| SRH | Sash rebate height |
| SRHA | Sash rebate height to springing of arch |
| SRHG | Sash rebate height on gear side |
| SRW | Sash rebate width |
| SRWO | Sash rebate width, oblique |
| T | Tilt sash |
| TT | Tilt-turn window or door |

Profile system manufacturers' information

It is important to observe the product information issued by profile system manufacturers, especially information concerning construction and fabrication, maximum sash dimensions and weights and material features such as linear expansion of profiles.

Tilt-turn, side hung and tilt sash fittings for PVC windows and patio doors

Application of UNI-JET locking mechanisms

UNI-JET locking mechanisms for schemes A to E

| Burglary resistance/ Opening method | No. of sashes | Gear Backset 15 mm, Gear position | Gear lockable backset mm | Sash rebate width SRW mm | Sash rebate height SRH mm SRHA mm SRHG mm | Standard working drawing |
|--|------------------|---|--------------------------------|-----------------------------|--|--------------------------------|
| "Basic security" | | | | | | |
| Tilt-turn sash | 1 | fixed | 25 up to 50 | 280-1600 | 350-2350 | 0.44324.1 |
| Tilt-turn sash | 2 | fixed | 25 up to 50 | 401-1600 | 451-2350 | 0.44324.1 |
| Side hung sash | 1 | fixed | 25 up to 50 | 280-1600 | 451-2350 | 0.44324.1 |
| Side hung sash | 2 | fixed | 25 up to 50 | 280-1600 | 451-2350 | 0.44324.1 |
| Inactive sash | 2 | fixed | | 280-1600 | 470-2350 | 0.44348.1 |
| Round arch | 1 | fixed | 25 up to 50 | 455-1250 | 380-2090 | 0.44391.1 |
| Oblique angle head | 1 | fixed | 25 up to 50 | 455-1260 | 451-2350 | 0.44374.1 |
| "Ahs Standard RAL RG 607/13" | | | | | | |
| Tilt-turn sash | 1 | fixed | 25 up to 50 | 401-1600 | 451-2350 | 0.44324.1 |
| Tilt-turn sash | 2 | fixed | 25 up to 50 | 401-1600 | 451-2350 | 0.44324.1 |
| Side hung sash | 1 | fixed | 25 up to 50 | 401-1600 | 451-2350 | 0.44324.1 |
| Side hung sash | 2 | fixed | 25 up to 50 | 401-1600 | 451-2350 | 0.44324.1 |
| Inactive sash | 2 | fixed | | 401-1600 | 470-2350 | 0.44348.1 |
| "Ahs Extra RAL RG 607/13" | | | | | | |
| Tilt-turn sash | 1 | fixed | 25 up to 50 | 401-1600 | 451-2350 | 0.44324.1 |
| Tilt-turn sash | 2 | fixed | 25 up to 50 | 401-1600 | 451-2350 | 0.44324.1 |
| Side hung sash | 1 | fixed | 25 up to 50 | 401-1600 | 451-2350 | 0.44324.1 |
| Side hung sash | 2 | fixed | 25 up to 50 | 401-1600 | 451-2350 | 0.44324.1 |
| Inactive sash | 2 | fixed | | 401-1600 | 470-2350 | 0.44348.1 |
| "WK 2 to ENV 1627" | | | | | | |
| Tilt-turn sash | 1 | fixed | 25 up to 50 | 401-1600 | 451-2350 | 0.44324.1 |
| Tilt-turn sash | 2 | fixed | 25 up to 50 | 401-1600 | 451-2350 | 0.44324.1 |
| Side hung sash | 1 | fixed | 25 up to 50 | 401-1600 | 451-2350 | 0.44324.1 |
| Side hung sash | 2 | fixed | 25 up to 50 | 401-1600 | 451-2350 | 0.44324.1 |
| Inactive sash | 2 | fixed | | 401-1600 | 470-2350 | 0.44348.1 |
| "Basic security" | | | | | | |
| Tilt-turn sash | 1 | variable | 25 up to 50 | 401-1600 | 480-2450 | 0.44324.1 |
| Tilt-turn sash | 2 | variable | 25 up to 50 | 401-1600 | 480-2450 | 0.44324.1 |
| Side hung sash | 1 | variable | 25 up to 50 | 280-1600 | 480-2450 | 0.44324.1 |
| Side hung sash | 2 | variable | 25 up to 50 | 280-1600 | 480-2450 | 0.44324.1 |
| Inactive sash | 2 | variable | | 280-1600 | 741-2450 | 0.44348.1 |
| Round arch | 1 | variable | 25 up to 50 | 455-1250 | 480-2090 | 0.44391.1 |
| Oblique angle head | 1 | variable | 25 up to 50 | 455-1260 | 480-2450 | 0.44374.1 |
| "Ahs Standard RAL RG 607/13" | | | | | | |
| Tilt-turn sash | 1 | variable | 25 up to 50 | 401-1600 | 480-2450 | 0.44324.1 |
| Tilt-turn sash | 2 | variable | 25 up to 50 | 401-1600 | 480-2450 | 0.44324.1 |
| Side hung sash | 1 | variable | 25 up to 50 | 401-1600 | 480-2450 | 0.44324.1 |
| Side hung sash | 2 | variable | 25 up to 50 | 401-1600 | 480-2450 | 0.44324.1 |
| Inactive sash | 2 | variable | | 401-1600 | 741-2450 | 0.44348.1 |
| "Ahs Extra RAL RG 607/13" | | | | | | |
| Tilt-turn sash | 1 | variable | 25 up to 50 | 401-1600 | 480-2450 | 0.44324.1 |
| Tilt-turn sash | 2 | variable | 25 up to 50 | 401-1600 | 480-2450 | 0.44324.1 |
| Side hung sash | 1 | variable | 25 up to 50 | 401-1600 | 480-2450 | 0.44324.1 |
| Side hung sash | 2 | variable | 25 up to 50 | 401-1600 | 480-2450 | 0.44324.1 |
| Inactive sash | 2 | variable | | 401-1600 | 741-2450 | 0.44348.1 |
| "WK 2 to ENV 1627" | | | | | | |
| Tilt-turn sash | 1 | variable | 25 up to 50 | 401-1600 | 480-2450 | 0.44324.1 |
| Tilt-turn sash | 2 | variable | 25 up to 50 | 401-1600 | 480-2450 | 0.44324.1 |
| Side hung sash | 1 | variable | 25 up to 50 | 401-1600 | 480-2450 | 0.44324.1 |
| Side hung sash | 2 | variable | 25 up to 50 | 401-1600 | 480-2450 | 0.44324.1 |
| Inactive sash | 2 | variable | | 401-1600 | 741-2450 | 0.44348.1 |
| "Basic security" | | | | | | |
| Tilt sash fittings | 1 | fixed | | 1320-2220 | 451-1600 | 0.44401.1 |
| Tilt sash gears | 1 | variable | | 591-1950 | -1600 | 0.44396.1 |

Tilt-turn, side hung and tilt sash fittings
for PVC windows and patio doors

Application of hinge side hardware

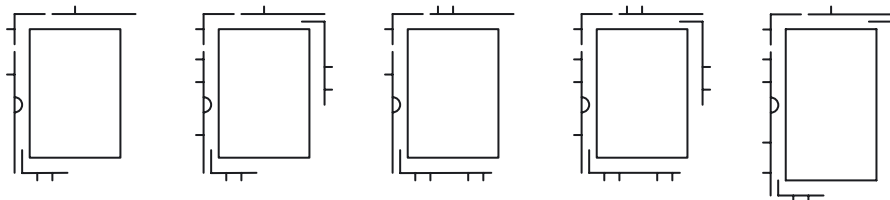
Hinge side hardware types

| Hinge side/ Opening method | Opening method | Rebate clearance mm | Sash weight max. kg | Space required on hinge side mm | Space required at bottom mm | Standard drawing |
|-------------------------------|----------------|------------------------|------------------------|------------------------------------|--------------------------------|---------------------|
| UNI-JET D | | | | | | |
| Tilt-turn sash | TT | 12 | 100 | 20 | 0 | 0.44325.1 |
| Side hung sash | SD | 12 | 100 | 20 | 0 | 0.44325.1 |
| Round arch | TT | 12 | 60 | 20 | 0 | 0.44392.1 |
| Oblique angle head | TT | 12 | 100 | 20 | 0 | 0.44375.1 |
| Tilt sash | T | 12 | 100 | 20 | | |
| UNI-JET DV | | | | | | |
| Tilt-turn sash | TT | 12 | 100 | | | 0.43294.1 |
| Side hung sash | SD | 12 | 100 | | | 0.42267.1 |
| Tilt sash | T | 12 | 100 | | | |

Tilt-turn, side hung and tilt sash fittings for PVC windows and patio doors

Tilt-turn windows and patio doors

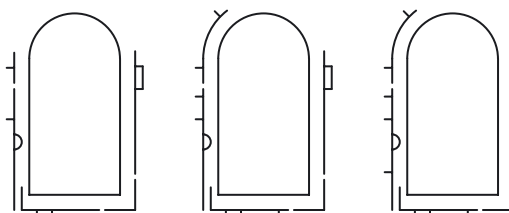
Fitting arrangements and size of sashes for schemes A to E



| Fixed gear position, scheme | A | B | C | D | E |
|--------------------------------|----------|----------|----------|----------|-----------|
| SRW (Sash rebate width, mm) | 280-1450 | 280-1450 | 751-1600 | 751-1600 | 501-1200 |
| SRH (Sash rebate height, mm) | 350-1100 | 721-1850 | 350-1100 | 721-1850 | 1851-2350 |
| Variable gear position, scheme | A | B | C | D | E |
| SRW (Sash rebate width, mm) | 401-1450 | 401-1450 | 751-1600 | 751-1600 | 501-1200 |
| SRH (Sash rebate height, mm) | 480-1200 | 951-1950 | 480-1200 | 951-1950 | 1951-2450 |

Round arch windows and patio doors

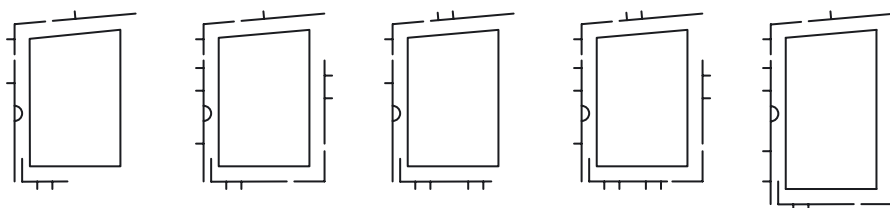
Fitting arrangements and size of sashes for schemes R1 to R3



| Fixed gear position, scheme | R1 | R2 | R3 |
|--|---------|----------|----------|
| SRW (Sash rebate width, mm) | 455-620 | 455-620 | 621-1250 |
| SRHR (Sash rebate height to springing of arch, mm) | 380-760 | 580-2090 | 580-2090 |

Oblique angle head windows and patio doors

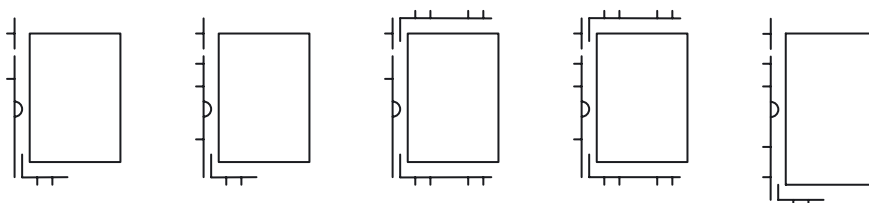
Fitting arrangements and size of sashes for schemes A to E



| Fixed gear position, scheme | A | B | C | D | E |
|--|----------|-----------|----------|-----------|-----------|
| SRW (Sash rebate width, mm) | 455- 770 | 455- 770 | 771-1260 | 771-1260 | 500-1200 |
| SRHG (Sash rebate height on gear side, mm) | 451-1100 | 1101-1850 | 451-1100 | 1101-1850 | 1851-2350 |

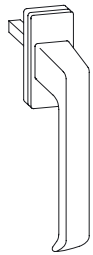
Side hung windows and patio doors

Fitting arrangements and size of sashes for schemes A to E

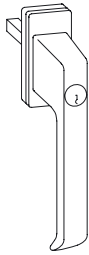


| Fixed gear position, scheme | A | B | C | D | E |
|--------------------------------|----------|----------|----------|----------|-----------|
| SRW (Sash rebate width, mm) | 280- 750 | 280- 750 | 751-1600 | 751-1600 | 501-1200 |
| SRH (Sash rebate height, mm) | 451-1100 | 721-1850 | 451-1100 | 721-1850 | 1851-2350 |
| Variable gear position, scheme | A | B | C | D | E |
| SRW (Sash rebate width, mm) | 280- 750 | 280- 750 | 751-1600 | 751-1600 | 501-1200 |
| SRH (Sash rebate height, mm) | 480-1200 | 951-1950 | 480-1200 | 951-1950 | 1951-2450 |

Handles DIRIGENT-F



DIRIGENT-F
Spindle 29 6-28072-29-0-*
Spindle 33 6-28072-33-0-*

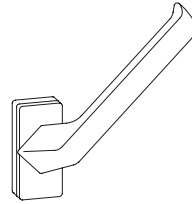


DIRIGENT-F/Z
with push button cylinder,
all keys alike
Spindle 29 6-28075-29-0-*
Spindle 33 6-28075-33-0-*

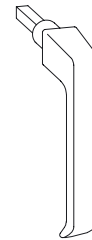


ADAGIO-F/Z RAL
for security windows and
patio doors
Spindle 29 6-29623-29-0-*
Spindle 33 6-29623-33-0-*

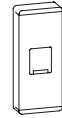
Tested to
RAL-RG 607/9



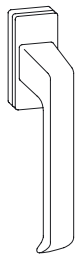
DIRIGENT-F/SP
with 45° position
for slit ventilation
Spindle 29 6-28094-29-0-*
Spindle 33 6-28094-33-0-*



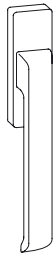
DIRIGENT-F/SG
Spindle 33 8-00694-33-0-*



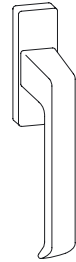
Rosette/F
inside - flat
6-24913-00-0-*



DIRIGENT-F
without spindle
6-28072-00-0-*



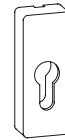
DIRIGENT-F/AF,
outside - flat
6-25223-00-0-*



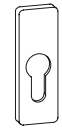
DIRIGENT-F/A,
outside
6-25993-00-0-*



Spindle
FD 56-68 9-26874-56-0-1
FD 69-80 9-26874-69-0-1



Rosette with CB
inside
6-25224-02-0-*



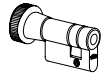
Rosette PZ/A
outside
9-32407-02-0-*



Inside/ outside operation
Countersunk screw M 5
FD 56-60 9-13255-60-0-1
FD 61-70 9-13255-70-0-1
FD 71-80 9-13255-80-0-1



Inside operation
Countersunk screw M 5 x 40
9-13255-40-0-1

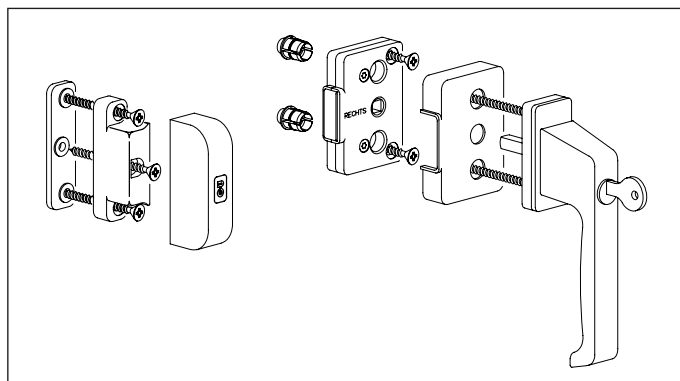


Knob locking
Backset 25 - 50 mm
K-13282-00-0-*



Pull handle
outside
9-22921-00-0-*

G.U Face fixed window lock

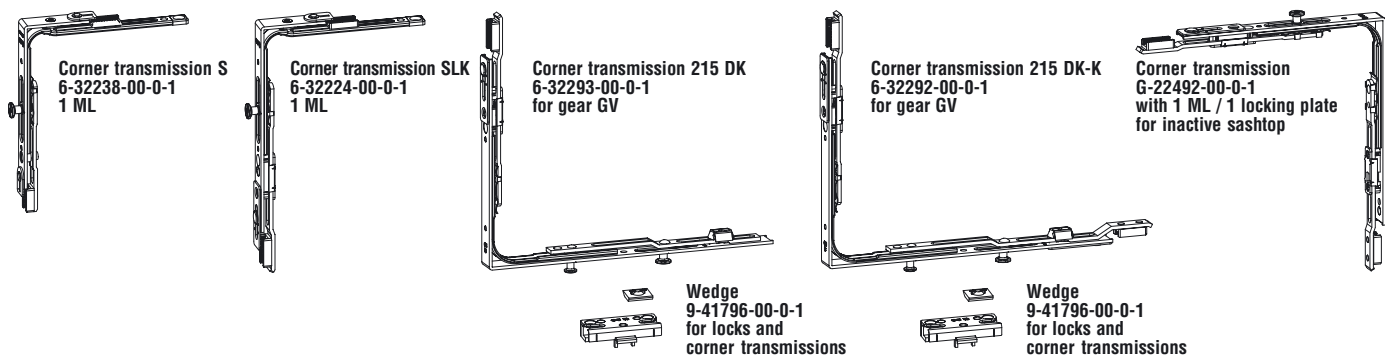


Box Face fixed window lock
with turn handle DIRIGENT F/Z
EV 1 K-14662-00-0-11
dark brown K-14662-00-0-5
white K-14662-00-0-7

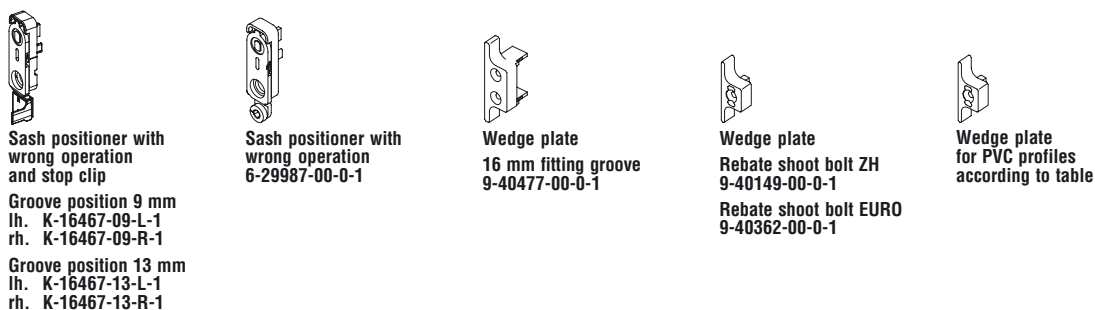
Contents of box

- 1 Turn handle DIRIGENT F/Z, lockable
- 1 Spindle 7 x 75 mm
- 1 Face fixed lock
- 1 Cover for face fixed lock
- 2 Sleeve for Ø 10 mm
- 2 Sleeve for Ø 12 mm
- 1 Strike box
- 1 Cover for strike box
- 1 Packing 3 mm
- 1 Packing 4 mm
- 1 Packing 5 mm
- 1 Packing 6 mm
- 7 Spax countersunk screw 5 x 55 mm

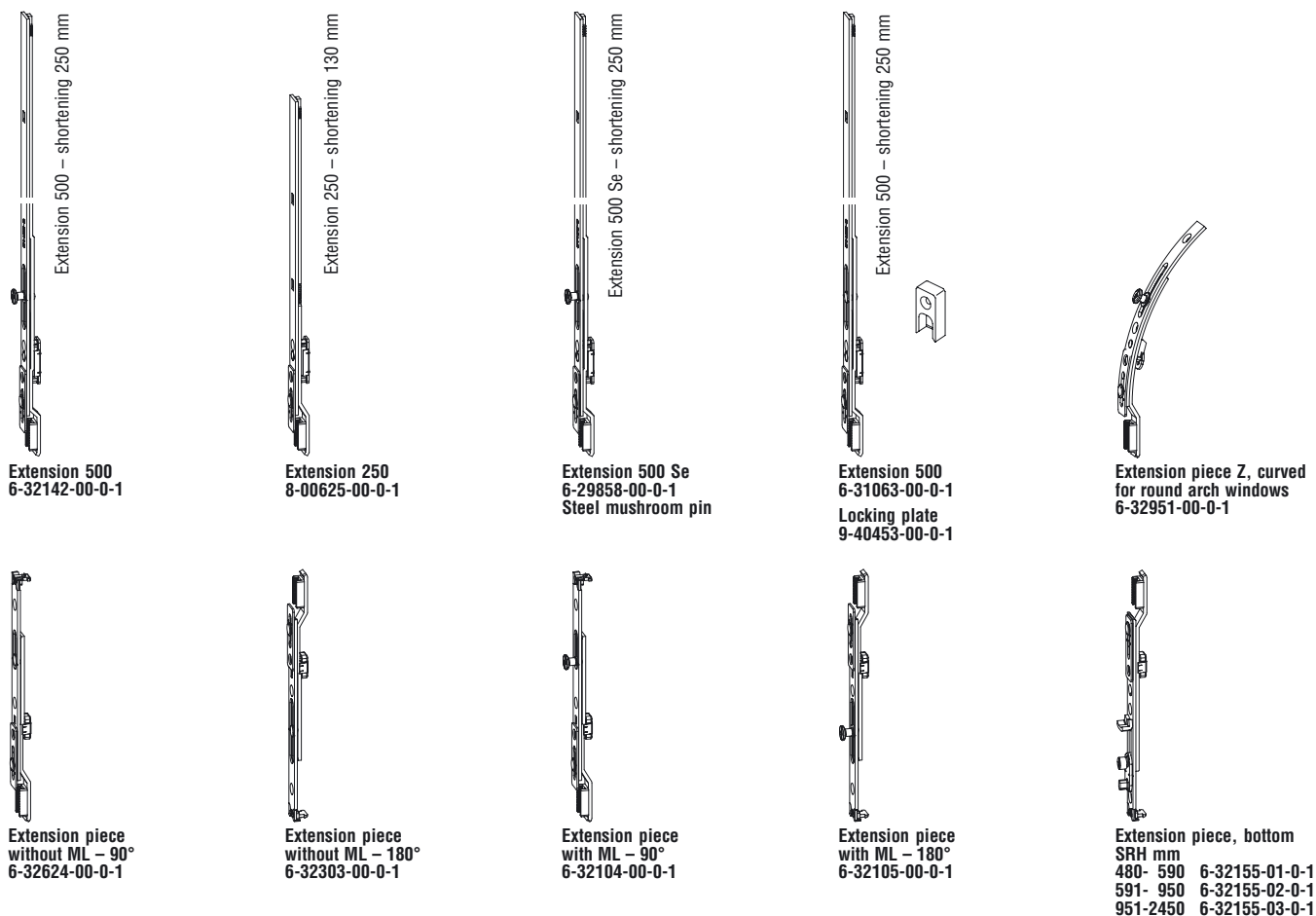
Corner transmissions



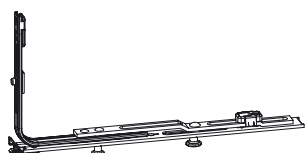
Sash positioners, wedge plates



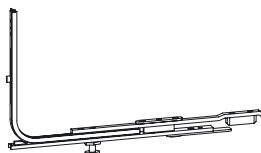
Optional parts for gears



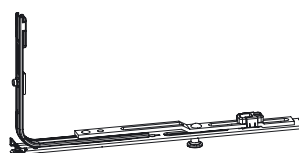
Optional parts for gears



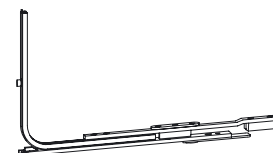
Bottom lock 215 DK
6-32012-00-0-1



Bottom lock K 160.2 Se
6-28604-00-0-1
Steel mushroom pin



Bottom lock 215
6-32010-00-0-1



Corner transmission 160
6-26744-00-0-1



Wedge plate - rebate clearance 12 mm
6-24201-01-0-1



Wedge - ST 68 mm
9-35380-68-0-0



Wedge
9-41796-00-0-1
for locks and
corner transmissions



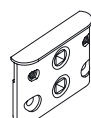
Rod guide PVC
0-1198A-00-0-0



Fixing plate 40 mm
9-35697-00-0-1



Fixing plate 80 mm
without wedge 9-39386-00-0-1
with wedge 9-42373-00-0-1



Gear - 5
Overlap mm
15 6-31094-15-0-1
18 6-31094-18-0-1

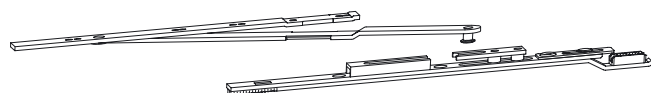


Countersunk screw
M 5 x 20
9-13255-20-0-1



Logo clip
E-21062-00-0-6
for gears
(Manufacturer logo on request)

Optional parts for double stay arms



Additional stay arm

Tilt-turn 8-00734-00-0-1
First tilt G-45995-00-0-1

Assembly according to working drawing 0.37737.2



Slit ventilation spring - SRW 500-750 mm - opening width approx. 5 and 21 mm
DIN lh 9-42768-33-L-1
DIN rh 9-42768-33-R-1



Slit ventilation spring - SRW 751-1600 mm - opening width approx. 5, 14 and 26 mm
9-41750-63-0-1

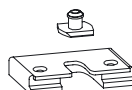


Opening restrictor
8-00775-00-0-1

Optional parts for rebate shoot bolt Euro and ZH



Protection cap for rebate lever
9-33668-00-0-9

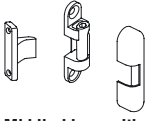


Passive anti-lifting security device
Mushroom pin for
rebate clearance:
12 mm 9-32103-00-0-1
13 mm 9-32102-00-0-1
Mushroom pin locking plate
6-25000-00-0-1



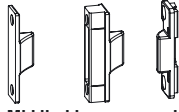
Anti drill escutcheon
9-41749-00-0-0
for gear 15

Middle hinges



Middle hinge with cover for PVC systems according to sash overlap

0° K-14239-01-0-*
 6° K-14239-02-0-*
 15° K-14239-03-0-*
 20° K-14239-04-0-*
 * 5 = brown 7 = white

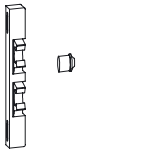


Middle hinge, concealed

Sash part with fitting groove 9-40564-00-0-1
 Frame part according to profile

Door catch

PVC profile systems



Door catch according to table

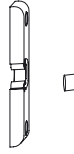


Packing according to table



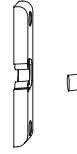
Door catch for 16 mm groove

Rebate shoot bolt ZH



6-29892-02-0-1
 Roller
 8-00756-00-0-1

Rebate shoot bolt Euro



6-31856-00-0-1
 Roller
 8-00756-00-0-1

Shoot bolts

PVC profile systems



bottom according to table



top according to table



Packing for shoot bolt according to table

Fitting groove 16 mm

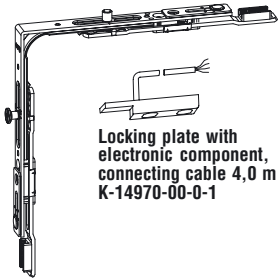


bottom
 6-22916-00-0-1



top
 6-22917-00-0-1

Accessories for alarm systems



Locking plate with electronic component, connecting cable 4,0 m
 K-14970-00-0-1

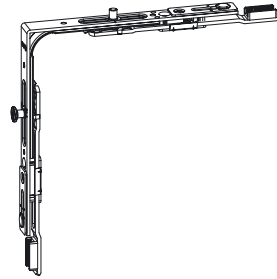
Corner transmission
 1 mushroom pin – 1 magnetic pin
 6-32093-00-0-1



Extension 500
 max. shortening 250 mm

Extension 500
 1 magnetic pin
 6-32826-00-0-1

Integrated slit ventilation IS



Corner transmission IS
 lh 6-32087-00-L-1
 rh 6-32087-00-R-1

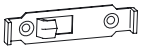


Packing according to table



Locking plate IS according to table

Blocking locks, screw-on version



without key
 8-00823-00-0-1

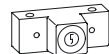


Key
 8-00821-00-0-0

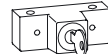


with key
 8-00824-00-0-1

Blocking locks, lockable



without key
 K-13842-00-0-*
 Key
 9-33585-00-0-0



with key
 K-13841-00-0-*

Forend



Forend cover, 1100 mm
 9-29198-00-0-1

JET Slit ventilation catch



Cover



Slit ventilation catch



Catch plate

Fitting requirements for PCV windows

| Quantity | Description | PU | Article No. |
|----------|---|----|----------------|
| 1 | JET Slit ventilation catch , overlap 90° | 10 | K-12280-90-0-* |
| 1 | JET Slit ventilation catch , overlap 94° | 10 | K-12280-04-0-* |
| | Drilling jig with clamping screw | 1 | 6-23590 |

JET Sash restrictor



Frame part



Sash part

Packing UNI-JET M 20/12

Fitting requirements for PVC windows

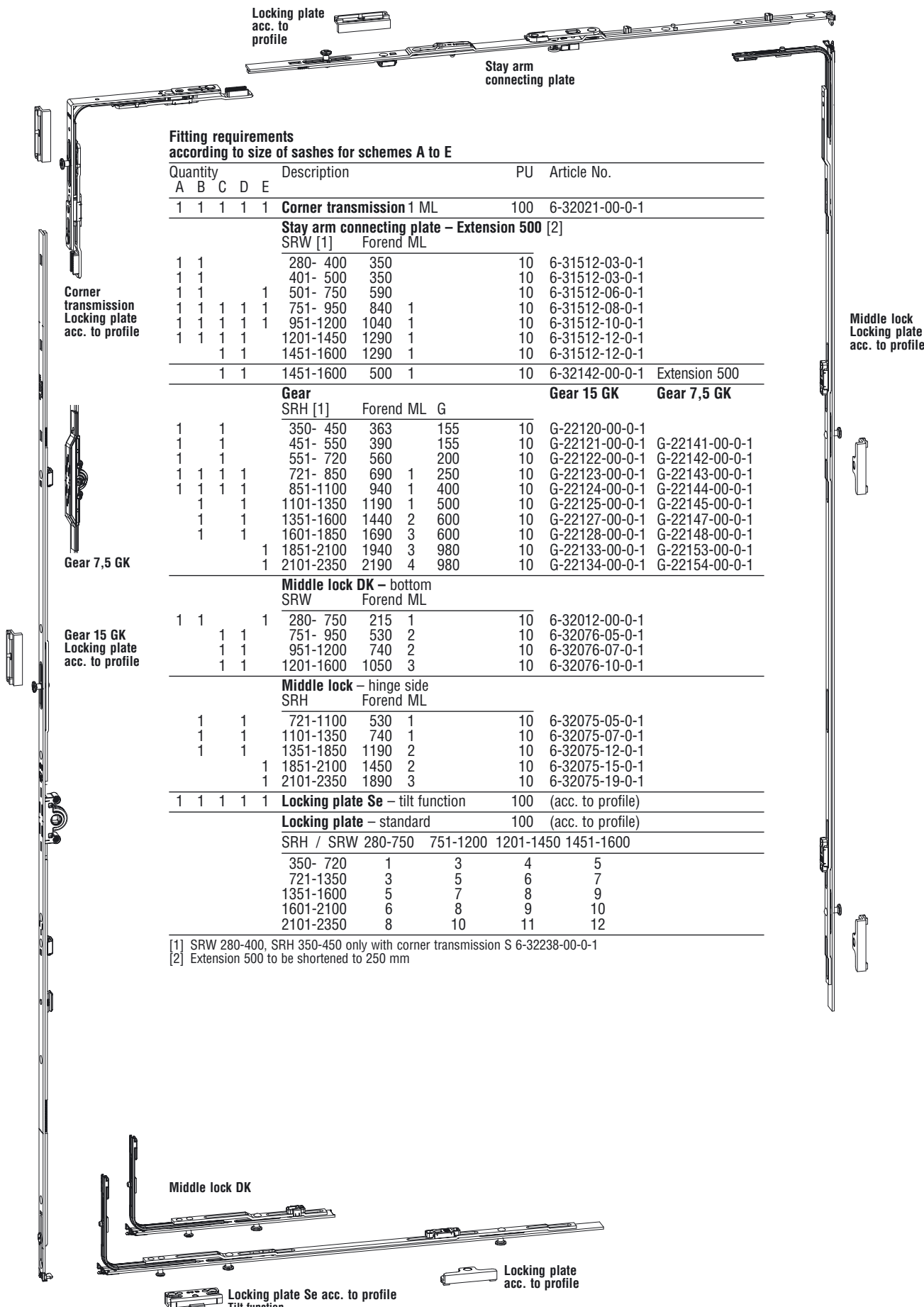
| Quantity | Description | PU | Article No. |
|----------|---|----|----------------|
| 1 | JET Sash restrictor for tilt-turn and side hung sashes with oblique sash overlap from 6° | 10 | K-13055-00-0-* |
| 1 | JET Sash restrictor or tilt-turn and side hung sashes with straight sash overlap | 10 | K-13057-00-0-* |
| | Drilling jig | 1 | 6-24867-15 |

2

Fixed gear position, groove position 9 and 13 mm



Basic security



Fitting requirements according to size of sashes for schemes A to E

| Quantity | | | | | Description | PU | Article No. | | |
|--|---|---|---|---|---|-----------|--------------------------------------|-----------|-----------|
| A | B | C | D | E | | | | | |
| 1 | 1 | 1 | 1 | 1 | Corner transmission 1 ML | 100 | 6-32021-00-0-1 | | |
| Stay arm connecting plate – Extension 500 [2] | | | | | | | | | |
| | | | | | SRW [1] | Forend ML | | | |
| 1 | 1 | | | | 280- 400 | 350 | 10 6-31512-03-0-1 | | |
| 1 | 1 | | | | 401- 500 | 350 | 10 6-31512-03-0-1 | | |
| 1 | 1 | | | 1 | 501- 750 | 590 | 10 6-31512-06-0-1 | | |
| 1 | 1 | 1 | 1 | 1 | 751- 950 | 840 1 | 10 6-31512-08-0-1 | | |
| 1 | 1 | 1 | 1 | 1 | 951-1200 | 1040 1 | 10 6-31512-10-0-1 | | |
| 1 | 1 | 1 | 1 | | 1201-1450 | 1290 1 | 10 6-31512-12-0-1 | | |
| | | | | 1 | 1451-1600 | 1290 1 | 10 6-31512-12-0-1 | | |
| | | | | 1 | 1451-1600 | 500 1 | 10 6-32142-00-0-1 Extension 500 | | |
| Gear | | | | | | | | | |
| | | | | | SRH [1] | Forend ML | G | | |
| 1 | | 1 | | | 350- 450 | 363 | 155 10 G-22120-00-0-1 | | |
| 1 | | 1 | | | 451- 550 | 390 | 155 10 G-22121-00-0-1 G-22141-00-0-1 | | |
| 1 | | 1 | | | 551- 720 | 560 | 200 10 G-22122-00-0-1 G-22142-00-0-1 | | |
| 1 | 1 | 1 | 1 | | 721- 850 | 690 1 | 250 10 G-22123-00-0-1 G-22143-00-0-1 | | |
| 1 | 1 | 1 | 1 | | 851-1100 | 940 1 | 400 10 G-22124-00-0-1 G-22144-00-0-1 | | |
| | | | | 1 | 1101-1350 | 1190 1 | 500 10 G-22125-00-0-1 G-22145-00-0-1 | | |
| | | | | 1 | 1351-1600 | 1440 2 | 600 10 G-22127-00-0-1 G-22147-00-0-1 | | |
| | | | | 1 | 1601-1850 | 1690 3 | 600 10 G-22128-00-0-1 G-22148-00-0-1 | | |
| | | | | 1 | 1851-2100 | 1940 3 | 980 10 G-22133-00-0-1 G-22153-00-0-1 | | |
| | | | | 1 | 2101-2350 | 2190 4 | 980 10 G-22134-00-0-1 G-22154-00-0-1 | | |
| Middle lock DK – bottom | | | | | | | | | |
| | | | | | SRW | Forend ML | | | |
| 1 | 1 | | | 1 | 280- 750 | 215 1 | 10 6-32012-00-0-1 | | |
| | | | 1 | 1 | 751- 950 | 530 2 | 10 6-32076-05-0-1 | | |
| | | | 1 | 1 | 951-1200 | 740 2 | 10 6-32076-07-0-1 | | |
| | | | 1 | 1 | 1201-1600 | 1050 3 | 10 6-32076-10-0-1 | | |
| Middle lock – hinge side | | | | | | | | | |
| | | | | | SRH | Forend ML | | | |
| | | 1 | 1 | | 721-1100 | 530 1 | 10 6-32075-05-0-1 | | |
| | | 1 | 1 | | 1101-1350 | 740 1 | 10 6-32075-07-0-1 | | |
| | | 1 | 1 | | 1351-1850 | 1190 2 | 10 6-32075-12-0-1 | | |
| | | | | 1 | 1851-2100 | 1450 2 | 10 6-32075-15-0-1 | | |
| | | | | 1 | 2101-2350 | 1890 3 | 10 6-32075-19-0-1 | | |
| 1 | 1 | 1 | 1 | 1 | Locking plate Se – tilt function | | 100 (acc. to profile) | | |
| | | | | | Locking plate – standard | | 100 (acc. to profile) | | |
| | | | | | SRH / SRW | 280-750 | 751-1200 | 1201-1450 | 1451-1600 |
| | | | | | 350- 720 | 1 | 3 | 4 | 5 |
| | | | | | 721-1350 | 3 | 5 | 6 | 7 |
| | | | | | 1351-1600 | 5 | 7 | 8 | 9 |
| | | | | | 1601-2100 | 6 | 8 | 9 | 10 |
| | | | | | 2101-2350 | 8 | 10 | 11 | 12 |

[1] SRW 280-400, SRH 350-450 only with corner transmission S 6-32238-00-0-1
 [2] Extension 500 to be shortened to 250 mm

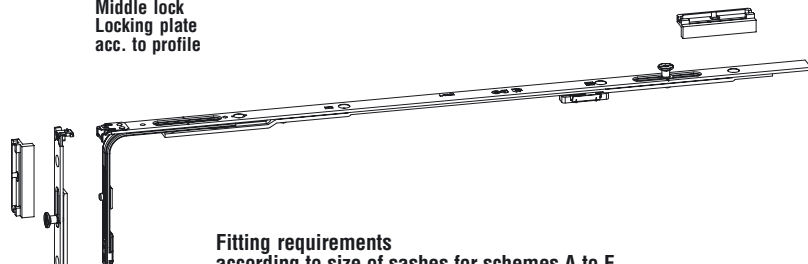
Fixed gear position, groove position 9 and 13 mm



Basic security

2

Middle lock
Locking plate
acc. to profile



Fitting requirements according to size of sashes for schemes A to E

| Quantity | | | | | Description | PU | Article No. | |
|--|---|---|---|---|---------------------------------|---------|-------------------|----------------------------------|
| A | B | C | D | E | | | | |
| 1 | 1 | 1 | 1 | 1 | Extension piece 90° 1 ML | 100 | 6-32104-00-0-1 | |
| | | | | | Gear | | Gear 15 GK | Gear 7,5 GK |
| | | | | | SRH | | | |
| | | | | | Forend ML | | | |
| | | | | | G | | | |
| Extension piece 90° Locking plate acc. to profile | | | | | | | | |
| 1 | 1 | | | | 451- 550 | 390 | 155 | 10 G-22121-00-0-1 G-22141-00-0-1 |
| 1 | 1 | | | | 551- 720 | 560 | 200 | 10 G-22122-00-0-1 G-22142-00-0-1 |
| 1 | 1 | 1 | 1 | | 721- 850 | 690 | 1 250 | 10 G-22123-00-0-1 G-22143-00-0-1 |
| 1 | 1 | 1 | 1 | | 851-1100 | 940 | 1 400 | 10 G-22124-00-0-1 G-22144-00-0-1 |
| | 1 | 1 | | | 1101-1350 | 1190 | 1 500 | 10 G-22125-00-0-1 G-22145-00-0-1 |
| | 1 | 1 | | | 1351-1600 | 1440 | 2 600 | 10 G-22127-00-0-1 G-22147-00-0-1 |
| | | 1 | 1 | | 1601-1850 | 1690 | 3 600 | 10 G-22128-00-0-1 G-22148-00-0-1 |
| | | | 1 | | 1851-2100 | 1940 | 3 980 | 10 G-22133-00-0-1 G-22153-00-0-1 |
| | | | | 1 | 2101-2350 | 2190 | 4 980 | 10 G-22134-00-0-1 G-22154-00-0-1 |
| | | | | | Middle lock – top | | | |
| | | | | | SRW | | | |
| | | | | | Forend ML | | | |
| | 1 | 1 | | | 751- 950 | 530 | 1 | 10 6-32075-05-0-1 |
| | 1 | 1 | | | 951-1200 | 740 | 1 | 10 6-32075-07-0-1 |
| | 1 | 1 | | | 1201-1600 | 1050 | 2 | 10 6-32075-10-0-1 |
| | | | | | Middle lock Se – bottom | | | |
| | | | | | SRW | | | |
| | | | | | Forend ML | | | |
| Gear 7,5 GK | | | | | | | | |
| 1 | 1 | | | 1 | 280- 750 | 215 | 1 | 10 6-32010-00-0-1 |
| | 1 | 1 | | | 751- 950 | 530 | 2 | 10 6-32008-05-0-1 |
| | 1 | 1 | | | 951-1200 | 740 | 2 | 10 6-32008-07-0-1 |
| | 1 | 1 | | | 1201-1600 | 1050 | 3 | 10 6-32008-10-0-1 |
| Gear 15 GK Locking plate acc. to profile | | | | | | | | |
| 1 | 1 | 1 | 1 | 1 | Locking plate Se | | | 100 (acc. to profile) |
| | | | | | Locking plate – standard | | | 100 (acc. to profile) |
| | | | | | SRH / SRW | 280-750 | 751-1200 | 1201-1600 |
| | | | | | | | | |
| | | | | | 451- 720 | 1 | 3 | 5 |
| | | | | | 721-1350 | 2 | 4 | 6 |
| | | | | | 1351-1600 | 3 | 5 | 7 |
| | | | | | 1601-2100 | 4 | 6 | 8 |
| | | | | | 2101-2350 | 5 | 7 | 9 |

Extension piece 90°
Locking plate
acc. to profile

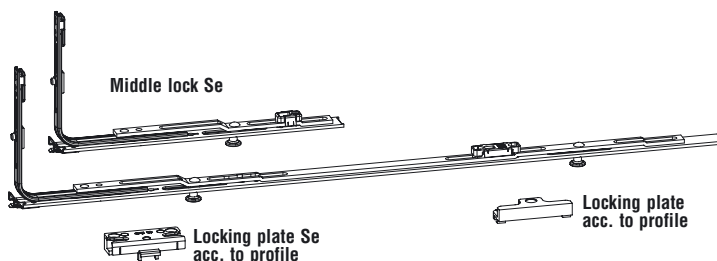


Gear 7,5 GK

Gear 15 GK
Locking plate
acc. to profile



Middle lock Se

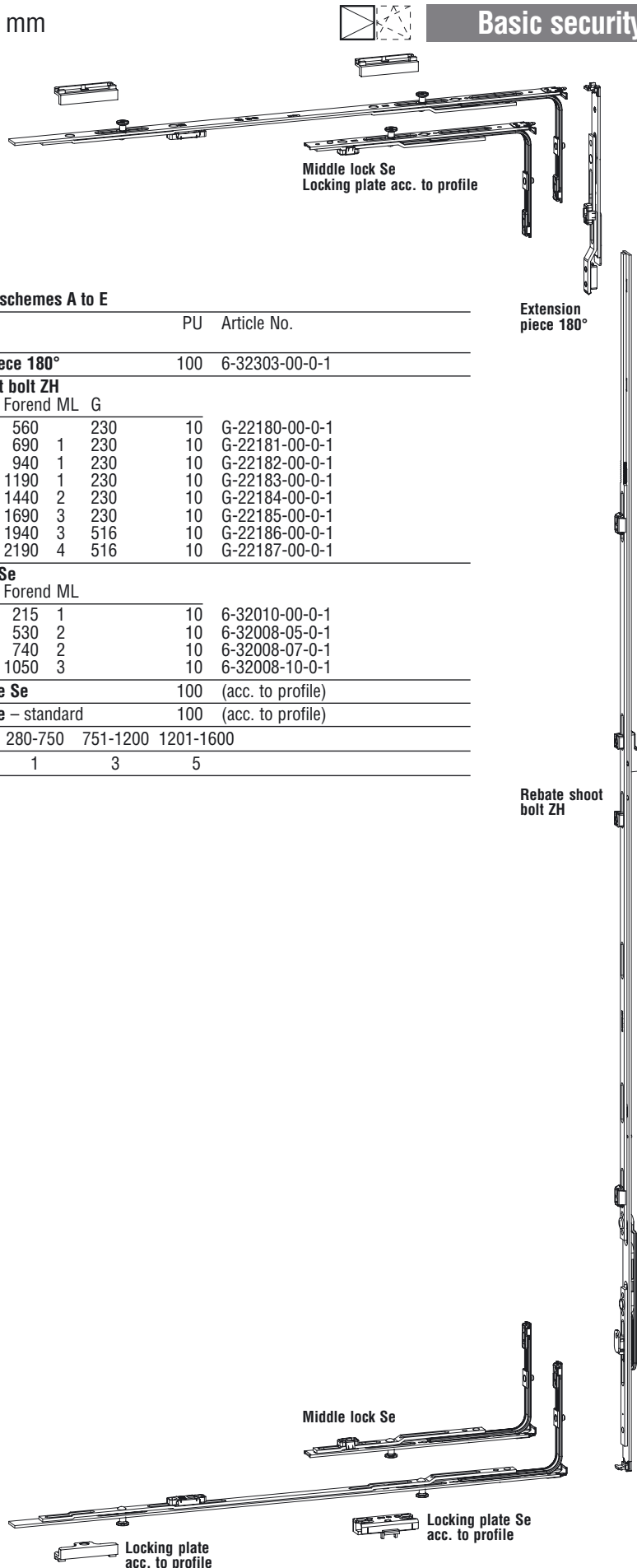


Locking plate Se
acc. to profile

Locking plate
acc. to profile

Fixed gear position, groove position 9 and 13 mm

Basic security



Fitting requirements according to size of sashes for schemes A to E

| Quantity | | | | | Description | PU | Article No. | | |
|---------------------------------|---|---|---|---|-----------------------------|---------|----------------|-----------|-------------------|
| A | B | C | D | E | | | | | |
| 1 | 1 | 1 | 1 | 1 | Extension piece 180° | 100 | 6-32303-00-0-1 | | |
| Rebate shoot bolt ZH | | | | | | | | | |
| | | | | | SRH | Forend | ML | G | |
| 1 | | 1 | | | 470- 720 | 560 | 230 | 10 | G-22180-00-0-1 |
| 1 | 1 | 1 | 1 | | 721- 850 | 690 | 1 230 | 10 | G-22181-00-0-1 |
| 1 | 1 | 1 | 1 | | 851-1100 | 940 | 1 230 | 10 | G-22182-00-0-1 |
| | 1 | 1 | | | 1101-1350 | 1190 | 1 230 | 10 | G-22183-00-0-1 |
| | 1 | 1 | | | 1351-1600 | 1440 | 2 230 | 10 | G-22184-00-0-1 |
| | 1 | 1 | | | 1601-1850 | 1690 | 3 230 | 10 | G-22185-00-0-1 |
| | | | 1 | | 1851-2100 | 1940 | 3 516 | 10 | G-22186-00-0-1 |
| | | | 1 | | 2101-2350 | 2190 | 4 516 | 10 | G-22187-00-0-1 |
| Middle lock Se | | | | | | | | | |
| | | | | | SRW | Forend | ML | | |
| 2 | 2 | | 2 | | 280- 750 | 215 | 1 | 10 | 6-32010-00-0-1 |
| | 2 | 2 | | | 751- 950 | 530 | 2 | 10 | 6-32008-05-0-1 |
| | 2 | 2 | | | 951-1200 | 740 | 2 | 10 | 6-32008-07-0-1 |
| | 2 | 2 | | | 1201-1600 | 1050 | 3 | 10 | 6-32008-10-0-1 |
| 1 | 1 | 1 | 1 | 1 | Locking plate Se | | | 100 | (acc. to profile) |
| Locking plate – standard | | | | | | | | | |
| | | | | | SRH / SRW | 280-750 | 751-1200 | 1201-1600 | |
| | | | | | 470-2350 | 1 | 3 | 5 | |

Extension piece 180°

Rebate shoot bolt ZH

Fixed gear position, groove position 9 and 13 mm



Basic security

2

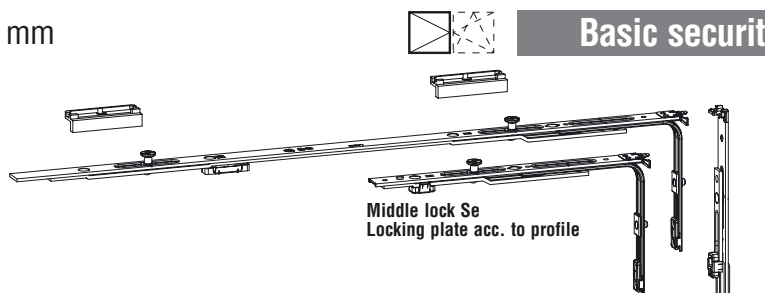
Fitting requirements according to size of sashes for schemes A to E

| Quantity | | | | | Description | PU | Article No. | | | |
|--|---|---|---|---|---|-----------|--------------------------------------|-----------|-----------|---|
| A | B | C | D | E | | | | | | |
| 1 | 1 | 1 | 1 | 1 | Corner transmission 1 ML | 100 | 6-32021-00-0-1 | | | |
| Stay arm connecting plate – Extension 500 [2] | | | | | | | | | | |
| | | | | | SRW | Forend ML | | | | |
| 1 | 1 | | | | 401- 500 | 350 | 10 6-31512-03-0-1 | | | |
| 1 | 1 | | | 1 | 501- 750 | 590 | 10 6-31512-06-0-1 | | | |
| 1 | 1 | 1 | 1 | 1 | 751- 950 | 840 1 | 10 6-31512-08-0-1 | | | |
| 1 | 1 | 1 | 1 | 1 | 951-1200 | 1040 1 | 10 6-31512-10-0-1 | | | |
| 1 | 1 | 1 | 1 | 1 | 1201-1450 | 1290 1 | 10 6-31512-12-0-1 | | | |
| | | | 1 | 1 | 1451-1600 | 1290 1 | 10 6-31512-12-0-1 | | | |
| | | | 1 | 1 | 1451-1600 | 500 1 | 10 6-32142-00-0-1 Extension 500 | | | |
| Gear | | | | | | | | | | |
| | | | | | SRH | Forend ML | G | | | |
| 1 | | 1 | | | 451- 550 | 390 | 155 10 G-22121-00-0-1 G-22141-00-0-1 | | | |
| 1 | | 1 | | | 551- 720 | 560 | 200 10 G-22122-00-0-1 G-22142-00-0-1 | | | |
| 1 | 1 | 1 | 1 | | 721- 850 | 690 1 | 250 10 G-22123-00-0-1 G-22143-00-0-1 | | | |
| 1 | 1 | 1 | 1 | | 851-1100 | 940 1 | 400 10 G-22124-00-0-1 G-22144-00-0-1 | | | |
| | | | 1 | 1 | 1101-1350 | 1190 1 | 500 10 G-22125-00-0-1 G-22145-00-0-1 | | | |
| | | | 1 | 1 | 1351-1600 | 1440 2 | 600 10 G-22127-00-0-1 G-22147-00-0-1 | | | |
| | | | 1 | 1 | 1601-1850 | 1690 3 | 600 10 G-22128-00-0-1 G-22148-00-0-1 | | | |
| | | | | 1 | 1851-2100 | 1940 3 | 980 10 G-22133-00-0-1 G-22153-00-0-1 | | | |
| | | | | 1 | 2101-2350 | 2190 4 | 980 10 G-22134-00-0-1 G-22154-00-0-1 | | | |
| Middle lock DK – bottom | | | | | | | | | | |
| | | | | | SRW | Forend ML | | | | |
| 1 | 1 | | | 1 | 401- 750 | 215 1 | 10 6-32012-00-0-1 | | | |
| | | 1 | 1 | | 751- 950 | 530 2 | 10 6-32076-05-0-1 | | | |
| | | 1 | 1 | | 951-1200 | 740 2 | 10 6-32076-07-0-1 | | | |
| | | 1 | 1 | | 1201-1600 | 1050 3 | 10 6-32076-10-0-1 | | | |
| Middle lock – hinge side | | | | | | | | | | |
| | | | | | SRH | Forend ML | | | | |
| | 1 | 1 | | | 721-1100 | 530 1 | 10 6-32075-05-0-1 | | | |
| | 1 | 1 | | | 1101-1350 | 740 1 | 10 6-32075-07-0-1 | | | |
| | 1 | 1 | | | 1351-1850 | 1190 2 | 10 6-32075-12-0-1 | | | |
| | | | | 1 | 1851-2100 | 1450 2 | 10 6-32075-15-0-1 | | | |
| | | | | 1 | 2101-2350 | 1890 3 | 10 6-32075-19-0-1 | | | |
| 1 | 1 | 1 | 1 | 1 | Locking plate Se – tilt function | | 100 (acc. to profile) | | | |
| | | | | | Locking plate – standard | | 100 (acc. to profile) | | | |
| | | | | | SRH / SRW | 401-750 | 751-1200 | 1201-1450 | 1451-1600 | |
| | | | | | | 451- 720 | 1 | 3 | 4 | 5 |
| | | | | | | 721-1350 | 2 | 4 | 5 | 6 |
| | | | | | | 1351-2100 | 3 | 5 | 6 | 7 |
| | | | | | | 2101-2350 | 4 | 6 | 7 | 8 |

[2] Extension 500 to be shortened to 250 mm

Fixed gear position, groove position 9 and 13 mm

Basic security

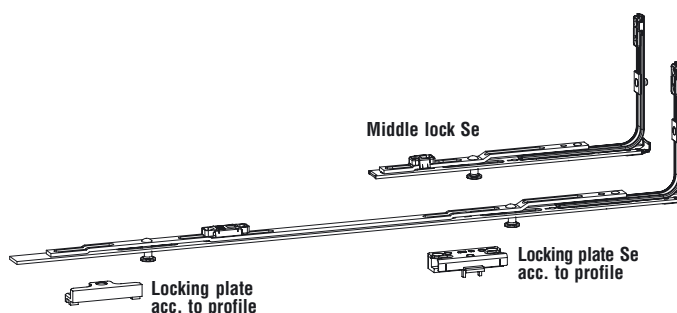


Fitting requirements according to size of sashes for schemes A to E

| Quantity | | Description | | PU | Article No. | |
|---------------------------------|---|-------------|----------|----------|-----------------------------|-----------------------|
| A | B | C | D | E | | |
| 1 | 1 | 1 | 1 | 1 | Extension piece 180° | 100 6-32303-00-0-1 |
| Rebate shoot bolt ZH | | | | | | |
| | | SRH | Forend | ML | G | |
| 1 | 1 | | | | | 10 G-22180-00-0-1 |
| 1 | 1 | 1 | 1 | | | 10 G-22181-00-0-1 |
| 1 | 1 | 1 | 1 | | | 10 G-22182-00-0-1 |
| | 1 | 1 | | | | 10 G-22183-00-0-1 |
| | 1 | 1 | | | | 10 G-22184-00-0-1 |
| | 1 | 1 | | | | 10 G-22185-00-0-1 |
| | | 1 | | | | 10 G-22186-00-0-1 |
| | | 1 | | | | 10 G-22187-00-0-1 |
| Middle lock Se | | | | | | |
| | | SRW | Forend | ML | | |
| 2 | 2 | | | | | 10 6-32010-00-0-1 |
| | 2 | 2 | | | | 10 6-32008-05-0-1 |
| | 2 | 2 | | | | 10 6-32008-07-0-1 |
| | 2 | 2 | | | | 10 6-32008-10-0-1 |
| 1 | 1 | 1 | 1 | 1 | Locking plate Se | 100 (acc. to profile) |
| Locking plate – standard | | | | | | 100 (acc. to profile) |
| | | SRH / SRW | 280-750 | 751-1200 | 1201-1600 | |
| | | | 470-2350 | 1 | 3 | 5 |

Extension piece 180°

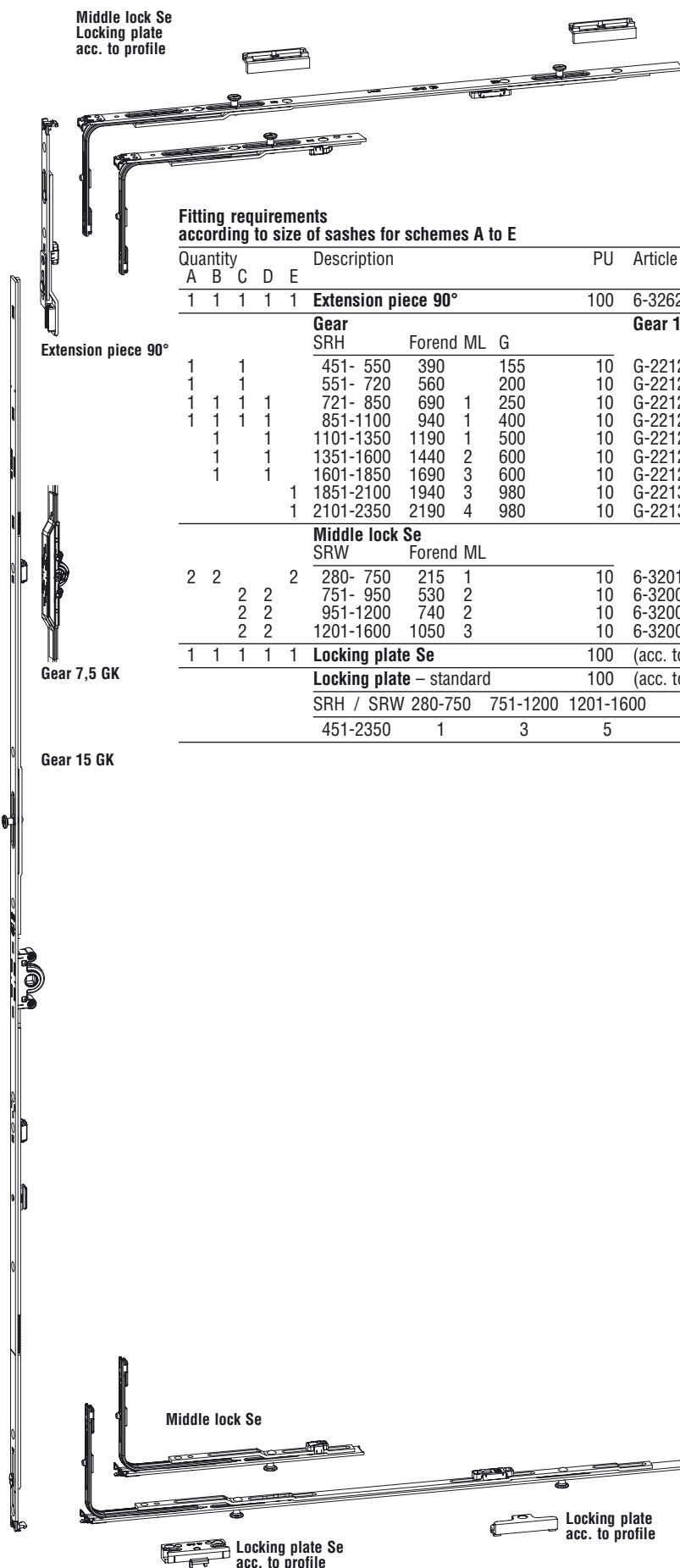
Rebate shoot bolt ZH



Fixed gear position, groove position 9 and 13 mm



Basic security

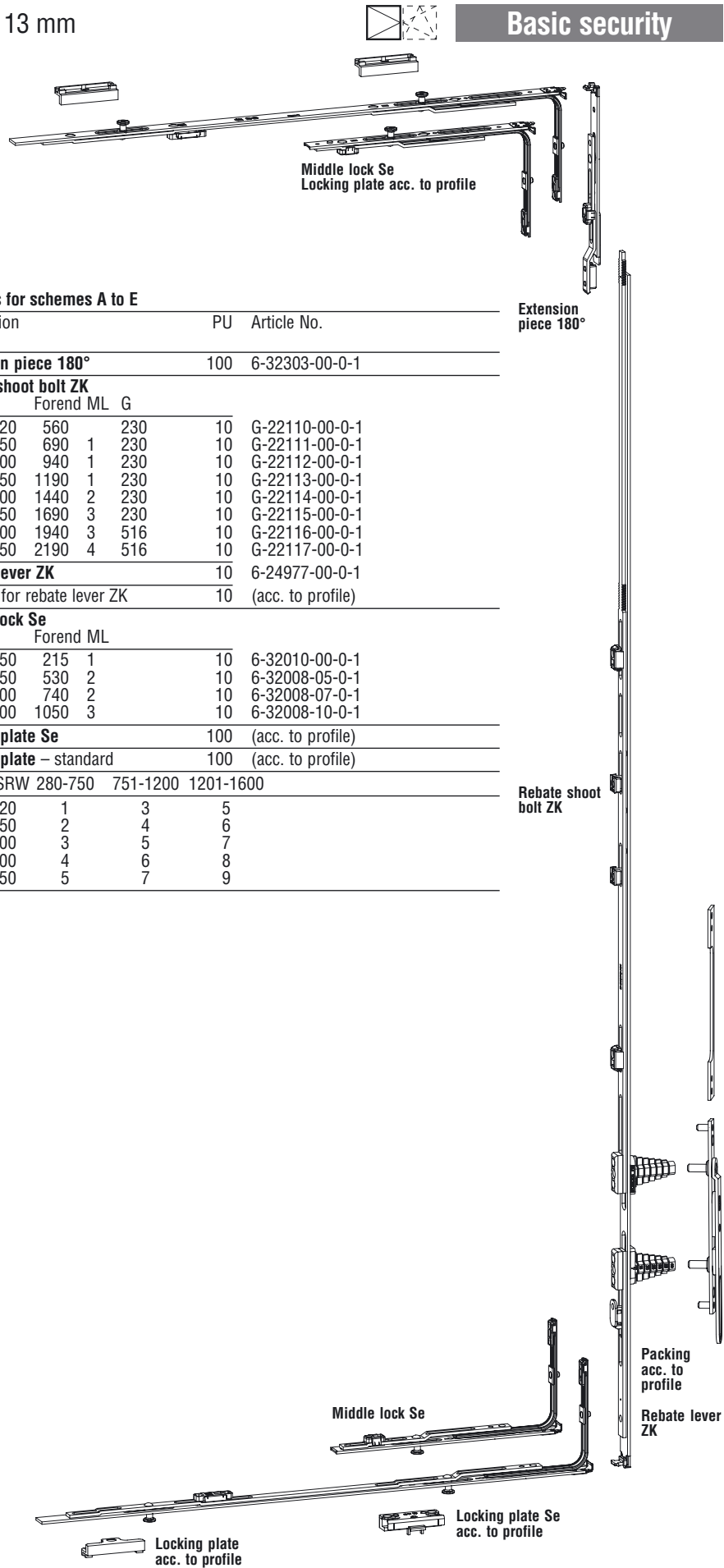


Fitting requirements according to size of sashes for schemes A to E

| Quantity | | | | | Description | PU | Article No. | | |
|----------|---|---|---|---|---------------------------------|----------|----------------|----------------------------------|---|
| A | B | C | D | E | | | Gear 15 GK | Gear 7,5 GK | |
| 1 | 1 | 1 | 1 | 1 | Extension piece 90° | 100 | 6-32624-00-0-1 | | |
| | | | | | Gear | | | | |
| | | | | | SRH | | | | |
| | | | | | Forend ML | | | | |
| | | | | | G | | | | |
| 1 | 1 | | | | 451- 550 | 390 | 155 | 10 G-22121-00-0-1 G-22141-00-0-1 | |
| 1 | 1 | | | | 551- 720 | 560 | 200 | 10 G-22122-00-0-1 G-22142-00-0-1 | |
| 1 | 1 | 1 | 1 | | 721- 850 | 690 | 1 250 | 10 G-22123-00-0-1 G-22143-00-0-1 | |
| 1 | 1 | 1 | 1 | | 851-1100 | 940 | 1 400 | 10 G-22124-00-0-1 G-22144-00-0-1 | |
| | 1 | 1 | | | 1101-1350 | 1190 | 1 500 | 10 G-22125-00-0-1 G-22145-00-0-1 | |
| | 1 | 1 | | | 1351-1600 | 1440 | 2 600 | 10 G-22127-00-0-1 G-22147-00-0-1 | |
| | | 1 | 1 | | 1601-1850 | 1690 | 3 600 | 10 G-22128-00-0-1 G-22148-00-0-1 | |
| | | | | 1 | 1851-2100 | 1940 | 3 980 | 10 G-22133-00-0-1 G-22153-00-0-1 | |
| | | | | 1 | 2101-2350 | 2190 | 4 980 | 10 G-22134-00-0-1 G-22154-00-0-1 | |
| | | | | | Middle lock Se | | | | |
| | | | | | SRW | | | | |
| | | | | | Forend ML | | | | |
| 2 | 2 | | | 2 | 280- 750 | 215 | 1 | 10 6-32010-00-0-1 | |
| | 2 | 2 | | | 751- 950 | 530 | 2 | 10 6-32008-05-0-1 | |
| | 2 | 2 | | | 951-1200 | 740 | 2 | 10 6-32008-07-0-1 | |
| | 2 | 2 | | | 1201-1600 | 1050 | 3 | 10 6-32008-10-0-1 | |
| 1 | 1 | 1 | 1 | 1 | Locking plate Se | | | 100 (acc. to profile) | |
| | | | | | Locking plate – standard | | | 100 (acc. to profile) | |
| | | | | | SRH / SRW | 280-750 | 751-1200 | 1201-1600 | |
| | | | | | | 451-2350 | 1 | 3 | 5 |

Fixed gear position, groove position 9 and 13 mm

Basic security



Fitting requirements according to size of sashes for schemes A to E

| Quantity | | | | | Description | PU | Article No. | |
|---------------------------------|---|---|---|---|------------------------------------|-----------|-------------------|-----------|
| A | B | C | D | E | | | | |
| 1 | 1 | 1 | 1 | 1 | Extension piece 180° | 100 | 6-32303-00-0-1 | |
| Rebate shoot bolt ZK | | | | | | | | |
| | | | | | SRW | Forend ML | G | |
| 1 | 1 | 1 | | | 470- 720 | 560 | 230 | |
| 1 | 1 | 1 | 1 | | 721- 850 | 690 | 230 | |
| 1 | 1 | 1 | 1 | | 851-1100 | 940 | 230 | |
| | 1 | 1 | | | 1101-1350 | 1190 | 230 | |
| | 1 | 1 | | | 1351-1600 | 1440 | 230 | |
| | 1 | 1 | | | 1601-1850 | 1690 | 230 | |
| | | | | 1 | 1851-2100 | 1940 | 516 | |
| | | | | 1 | 2101-2350 | 2190 | 516 | |
| 1 | 1 | 1 | 1 | 1 | Rebate lever ZK | 10 | 6-24977-00-0-1 | |
| 1 | 1 | 1 | 1 | 1 | Packing for rebate lever ZK | 10 | (acc. to profile) | |
| Middle lock Se | | | | | | | | |
| | | | | | SRW | Forend ML | | |
| 2 | 2 | | | 2 | 280- 750 | 215 | 1 | |
| | 2 | 2 | | | 751- 950 | 530 | 2 | |
| | 2 | 2 | | | 951-1200 | 740 | 2 | |
| | 2 | 2 | | | 1201-1600 | 1050 | 3 | |
| 1 | 1 | 1 | 1 | 1 | Locking plate Se | 100 | (acc. to profile) | |
| Locking plate – standard | | | | | | 100 | (acc. to profile) | |
| | | | | | SRW / SRW | 280-750 | 751-1200 | 1201-1600 |
| | | | | | 470- 720 | 1 | 3 | 5 |
| | | | | | 721-1350 | 2 | 4 | 6 |
| | | | | | 1351-1600 | 3 | 5 | 7 |
| | | | | | 1601-2100 | 4 | 6 | 8 |
| | | | | | 2101-2350 | 5 | 7 | 9 |

Fixed gear position, groove position 9 and 13 mm



Basic security

2

Arch head middle lock
Locking plate
acc. to profile

Fitting requirements according to size of sashes for schemes A to C

| Quantity | Description | PU | Article No. |
|----------------------------------|---|-----|-------------------|
| A B C | | | |
| Arch head stay arm | | | |
| | SRHA [2] SRW ML | | |
| 1 | 451- 580 - 620 1 | 10 | 6-30369-00-0-1 |
| 1 | 581-2090 - 620 1 | 10 | 6-30369-01-0-1 |
| 1 | 661-2090 621-1250 1 | 10 | 6-30369-02-0-1 |
| 1 | Fixing plate | 100 | 9-39782-00-0-1 |
| Gear 15 GK | | | |
| | SRHA Forend ML G | | |
| 1 | 451- 550 390 155 | 10 | G-22121-00-0-1 |
| 1 | 551- 720 560 200 | 10 | G-22122-00-0-1 |
| 1 | 721- 850 690 1 250 | 10 | G-22123-00-0-1 |
| 1 | 851-1100 940 1 400 | 10 | G-22124-00-0-1 |
| 1 | 1101-1350 1190 1 500 | 10 | G-22125-00-0-1 |
| 1 | 1351-1600 1440 2 600 | 10 | G-22127-00-0-1 |
| 1 | 1601-1850 1690 3 600 | 10 | G-22128-00-0-1 |
| 1 | 1851-2090 1940 3 980 | 10 | G-22133-00-0-1 |
| 1 | Sash positioner with WOSD | 100 | 6-29987-00-0-1 |
| | SRHA 551-2090 | | |
| 1 | Wedge plate | 100 | (acc. to profile) |
| Centre piece – bottom | | | |
| | SRW [1] Forend ML | | |
| 1 | 500- 770 415 | 10 | 6-26741-00-0-1 |
| 1 | 771-1070 750 1 | 10 | 6-32781-01-0-1 |
| 1 | 1071-1250 1130 1 | 10 | 6-32781-02-0-1 |
| 1 | Extension piece 180° | 100 | 6-32105-00-0-1 |
| | SRW 455-735 1 MV | | |
| 1 | Arch head middle lock | 10 | 6-32952-00-0-1 |
| | SRW 736-1250 2 ML | | |
| 1 | Corner transmission [3] | 100 | 6-26743-00-0-1 |
| 1 | Corner transmission SLK [2] | 10 | 6-32224-00-0-1 |
| | SRHA 451-470 | | |
| 1 | Middle lock 215 DK-K | 10 | 6-32013-00-0-1 |
| | SRHA 471-2090 | | |
| 1 | Wedge | 100 | 9-41796-00-0-1 |
| Centre piece – hinge side | | | |
| | SRHA Forend ML | | |
| 1 | 581- 790 415 | 10 | 6-26741-00-0-1 |
| 1 | 791-1200 750 1 | 10 | 6-32781-01-0-1 |
| 1 | 1201-1590 1130 1 | 10 | 6-32781-02-0-1 |
| 1 | 1591-2090 1630 1 | 10 | 6-32781-03-0-1 |
| 1 | Locking plate Se – tilt function | 100 | (acc. to profile) |
| Locking plate – standard | | | |
| | SRHA / SRW 455-620 621-770 771-1250 | | |
| | 451- 720 2 4 5 | | |
| | 721- 790 3 5 6 | | |
| | 791-1350 4 6 7 | | |
| | 1351-1600 5 7 8 | | |
| | 1601-2100 6 8 9 | | |

[1] For SRW 455-499 use forend and push rod of gear or stay arm connecting plate and cut to length 75 up to 120 mm
 [2] SRHA 451-470 possible with SLK only
 [3] usable only in connection with drill-in hinge

Arch head stay arm
Locking plate
acc. to profile

Extension piece 180°
Locking plate
acc. to profile

Gear 15 GK
Locking plate
acc. to profile

Sash positioner with wrong operation safety device (WOSD)
Wedge plate
acc. to profile

Fixing plate

Centre piece
Locking plate
acc. to profile

Corner transmission SLK
Middle lock 215 DK-K
Wedge

Centre piece
Locking plate
acc. to profile

Corner transmission

Locking plate Se acc. to profile
Tilt function

Fixed gear position, groove position 9 and 13 mm



Basic security

Fitting requirements according to size of sashes for schemes A to E

| Quantity | | | | | Description | PU | Article No. | |
|----------------------------------|---|---|---|---|---|-----------|-------------------------|----------|
| A | B | C | D | E | | | | |
| 1 | 1 | 1 | 1 | 1 | Corner transmission S 1 MV | 100 | 6-32086-00-0-1 | |
| Stay arm connecting plate | | | | | | | | |
| | | | | | SRWS | Forend ML | | |
| 1 | 1 | | | | 455- 510 | 350 | 10 6-31512-03-0-1 | |
| 1 | 1 | | | | 511- 760 | 590 | 10 6-31512-06-0-1 | |
| | | 1 | 1 | 1 | 761- 960 | 840 | 10 6-31512-08-0-1 | |
| | | 1 | 1 | 1 | 961-1210 | 1040 | 10 6-31512-10-0-1 | |
| | | 1 | 1 | 1 | 1211-1460 | 1290 | 10 6-31512-12-0-1 | |
| Gear 15 GK | | | | | | | | |
| | | | | | FFHG | Forend ML | G | |
| 1 | | 1 | | | 451- 550 | 390 | 155 10 G-22121-00-0-1 | |
| 1 | | 1 | | | 551- 720 | 560 | 200 10 G-22122-00-0-1 | |
| 1 | | 1 | | | 721- 850 | 690 | 1 250 10 G-22123-00-0-1 | |
| 1 | | 1 | | | 851-1100 | 940 | 1 400 10 G-22124-00-0-1 | |
| | 1 | | 1 | | 1101-1350 | 1190 | 1 500 10 G-22125-00-0-1 | |
| | 1 | | 1 | | 1351-1600 | 1440 | 2 600 10 G-22127-00-0-1 | |
| | 1 | | 1 | | 1601-1850 | 1690 | 3 600 10 G-22128-00-0-1 | |
| | | | | 1 | 1851-2100 | 1940 | 3 980 10 G-22133-00-0-1 | |
| | | | | 1 | 2101-2350 | 2190 | 4 980 10 G-22134-00-0-1 | |
| Centre piece – bottom | | | | | | | | |
| | | | | | SRW [1] | Forend ML | | |
| 1 | | | | 1 | 500- 770 | 415 | 10 6-26741-00-0-1 | |
| | | 1 | 1 | 1 | 771-1070 | 750 | 1 10 6-32781-01-0-1 | |
| | | 1 | 1 | 1 | 1071-1260 | 1130 | 1 10 6-32781-02-0-1 | |
| 1 | | | | 1 | Corner transmission [3] | | 100 6-26743-00-0-1 | |
| 1 | 1 | 1 | 1 | 1 | Middle lock 215 DK-K | | 10 6-32013-00-0-1 | |
| 1 | 1 | 1 | 1 | 1 | Wedge | | 100 9-41796-00-0-1 | |
| Centre piece – hinge side | | | | | | | | |
| | | | | | FFHG | Forend ML | | |
| 1 | | 1 | | | 1101-1600 | 750 | 1 10 6-32781-01-0-1 | |
| 1 | | 1 | | | 1601-1850 | 1130 | 1 10 6-32781-02-0-1 | |
| | | | | 1 | 1851-2350 | 1130 | 1 10 6-32781-02-0-1 | |
| 1 | | | | 1 | Extension piece 180° 1 MV | | 100 6-32105-00-0-1 | |
| 1 | 1 | 1 | 1 | 1 | Locking plate Se – tilt function | | 100 (acc. to profile) | |
| Locking plate – standard | | | | | | 100 | (acc. to profile) | |
| | | | | | FFHG / SRW | 455-760 | 761-770 | 771-1260 |
| | | | | | 451- 720 | 1 | 2 | 3 |
| | | | | | 721-1100 | 2 | 3 | 4 |
| | | | | | 1101-1350 | 4 | 5 | 6 |
| | | | | | 1351-1600 | 5 | 6 | 7 |
| | | | | | 1601-2100 | 6 | 7 | 8 |
| | | | | | 2101-2350 | 7 | 8 | 9 |

[1] For SRW 455-499 use forend and push rod of gear or stay arm connecting plate and cut to length 75 up to 120 mm
 [3] usable only in connection with drill-in hinge

Fixed gear position, groove position 9 and 13 mm



Ahs or WK 2

Fitting requirements according to size of sashes for schemes A to E

| Quantity | | | | | Description | PU | Article No. | | | |
|--|---|---|---|---|---|------------------|---------------------------------|-------------------|--------------------|--|
| A | B | C | D | E | | | | | | |
| 1 | 1 | 1 | 1 | 1 | Corner transmission 2 ML | 100 | 6-31753-00-0-1 | | | |
| Stay arm connecting plate – Extension 500 [2] | | | | | | | | | | |
| | | | | | SRW | Forend ML | | | | |
| 1 | 1 | | | | 401- 500 | 350 | 10 6-31512-03-0-1 | | | |
| 1 | 1 | | | 1 | 501- 750 | 590 | 10 6-31512-06-0-1 | | | |
| 1 | 1 | 1 | 1 | 1 | 751- 950 | 840 1 | 10 6-31512-08-0-1 | | | |
| 1 | 1 | 1 | 1 | 1 | 951-1200 | 1040 1 | 10 6-31512-10-0-1 | | | |
| 1 | 1 | 1 | 1 | 1 | 1201-1450 | 1290 1 | 10 6-31512-12-0-1 | | | |
| | | | 1 | 1 | 1451-1600 | 1290 1 | 10 6-31512-12-0-1 | | | |
| | | | 1 | 1 | 1451-1600 | 500 1 | 10 6-32142-00-0-1 Extension 500 | | | |
| | | | | | Gear SRH | Forend ML | G | Gear 15 GK | Gear 7,5 GK | |
| 1 | | 1 | | | 451- 550 | 390 | 155 | 10 G-22121-00-0-1 | G-22141-00-0-1 | |
| 1 | | 1 | | | 551- 720 | 560 | 200 | 10 G-22122-00-0-1 | G-22142-00-0-1 | |
| 1 | 1 | 1 | 1 | | 721- 850 | 690 1 | 250 | 10 G-22123-00-0-1 | G-22143-00-0-1 | |
| 1 | 1 | 1 | 1 | | 851-1100 | 940 1 | 400 | 10 G-22124-00-0-1 | G-22144-00-0-1 | |
| | | 1 | 1 | | 1101-1350 | 1190 1 | 500 | 10 G-22125-00-0-1 | G-22145-00-0-1 | |
| | | 1 | 1 | | 1351-1600 | 1440 2 | 600 | 10 G-22127-00-0-1 | G-22147-00-0-1 | |
| | | 1 | 1 | | 1601-1850 | 1690 3 | 600 | 10 G-22128-00-0-1 | G-22148-00-0-1 | |
| | | | 1 | 1 | 1851-2100 | 1940 3 | 980 | 10 G-22133-00-0-1 | G-22153-00-0-1 | |
| | | | 1 | 1 | 2101-2350 | 2190 4 | 980 | 10 G-22134-00-0-1 | G-22154-00-0-1 | |
| 1 | 1 | 1 | 1 | 1 | Anti-drill escutcheon – Gear 15 GK | | 100 | 9-41749-00-0-0 | | |
| | | | | | Middle lock DK – bottom | | | | | |
| | | | | | SRW | Forend ML | | | | |
| 1 | 1 | | | 1 | 401- 750 | 215 1 | | 10 | 6-32012-00-0-1 | |
| | | | 1 | 1 | 751- 950 | 530 2 | | 10 | 6-32076-05-0-1 | |
| | | | 1 | 1 | 951-1200 | 740 2 | | 10 | 6-32076-07-0-1 | |
| | | | 1 | 1 | 1201-1600 | 1050 3 | | 10 | 6-32076-10-0-1 | |
| | | | | | Middle lock Se – hinge side | | | | | |
| | | | | | SRH | Forend ML | | | | |
| 1 | | 1 | | | 451- 720 | 215 1 | | 10 | 6-32010-00-0-1 | |
| | 1 | | 1 | | 721-1100 | 530 2 | | 10 | 6-32008-05-0-1 | |
| | 1 | | 1 | | 1101-1350 | 740 2 | | 10 | 6-32008-07-0-1 | |
| | 1 | | 1 | | 1351-1850 | 1190 3 | | 10 | 6-32008-12-0-1 | |
| | | | 1 | 1 | 1851-2100 | 1450 3 | | 10 | 6-32008-15-0-1 | |
| | | | 1 | 1 | 2101-2350 | 1890 4 | | 10 | 6-32008-19-0-1 | |
| 1 | 1 | 1 | 1 | 1 | Locking plate Se – tilt function | | 100 | (acc. to profile) | | |
| | | | | | Locking plate Se / standard | | | 100 | (acc. to profile) | |
| | | | | | SRH / SRW | 401-750 | 751-1200 | 1201-1450 | 1451-1600 | |
| | | | | | 451- 720 | 3 / 0 | 4 / 1 | 4 / 2 | 4 / 3 | |
| | | | | | 721-1350 | 4 / 1 | 5 / 2 | 5 / 3 | 5 / 4 | |
| | | | | | 1351-1600 | 4 / 3 | 5 / 4 | 5 / 5 | 5 / 6 | |
| | | | | | 1601-2100 | 4 / 4 | 5 / 5 | 5 / 6 | 5 / 7 | |
| | | | | | 2101-2350 | 4 / 6 | 5 / 7 | 5 / 8 | 5 / 9 | |

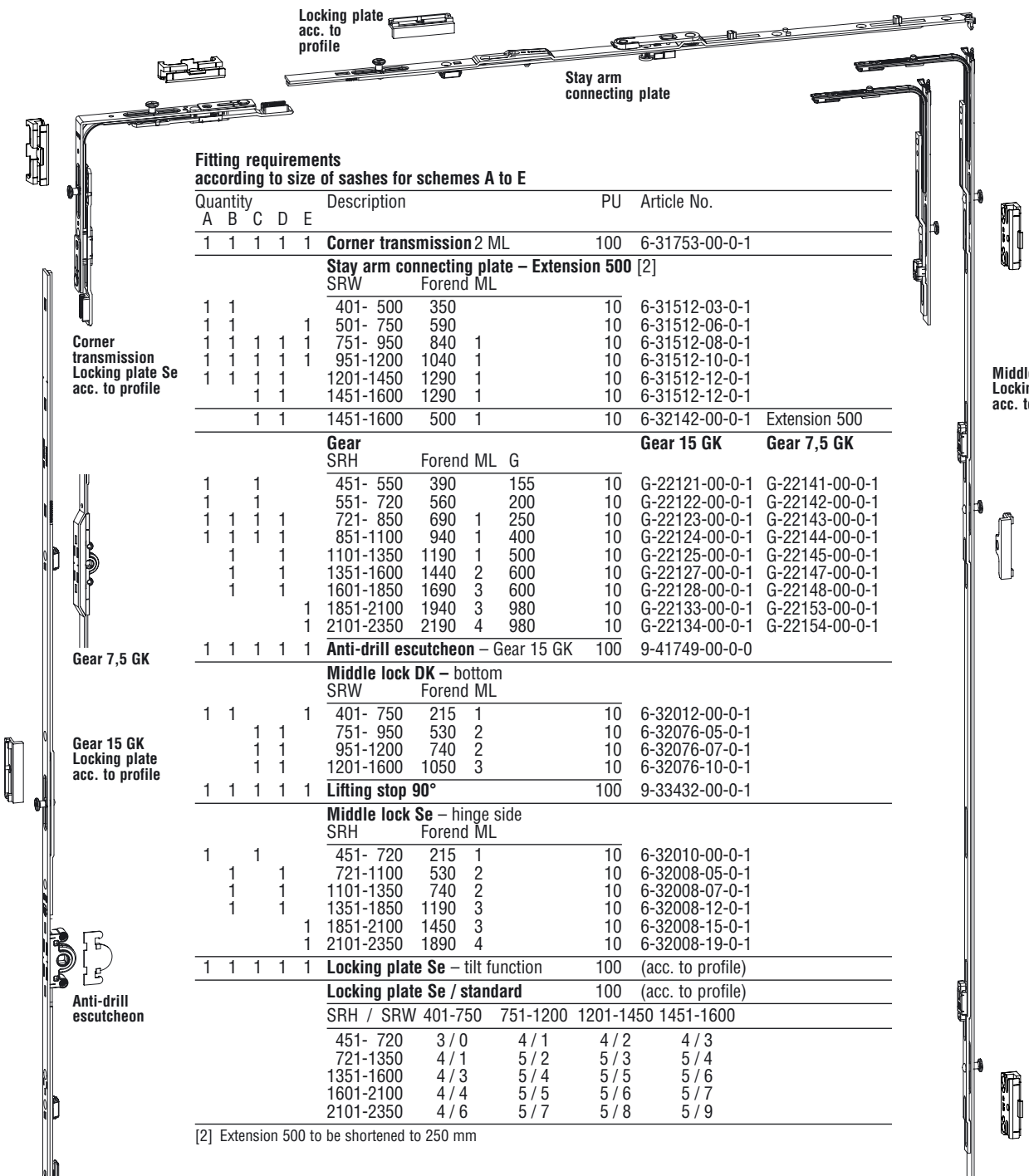
[2] Extension 500 to be shortened to 250 mm

Fixed gear position, groove position 9 and 13 mm



Ahs or WK 2

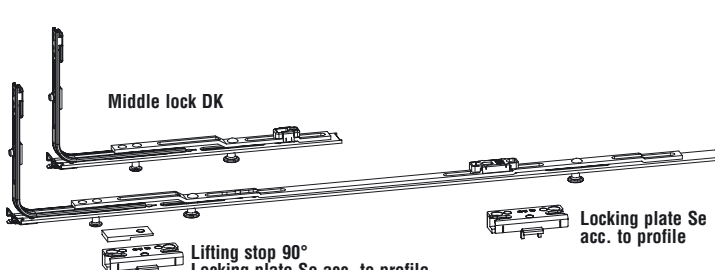
2



Fitting requirements according to size of sashes for schemes A to E

| Quantity | | | | | Description | PU | Article No. | | | |
|--|---|---|---|---|---|-----------|--------------------------------------|-----------|-----------|-------|
| A | B | C | D | E | | | | | | |
| 1 | 1 | 1 | 1 | 1 | Corner transmission 2 ML | 100 | 6-31753-00-0-1 | | | |
| Stay arm connecting plate – Extension 500 [2] | | | | | | | | | | |
| | | | | | SRW | Forend ML | | | | |
| 1 | 1 | | | | 401- 500 | 350 | 10 6-31512-03-0-1 | | | |
| 1 | 1 | | 1 | | 501- 750 | 590 | 10 6-31512-06-0-1 | | | |
| 1 | 1 | 1 | 1 | 1 | 751- 950 | 840 1 | 10 6-31512-08-0-1 | | | |
| 1 | 1 | 1 | 1 | 1 | 951-1200 | 1040 1 | 10 6-31512-10-0-1 | | | |
| 1 | 1 | 1 | 1 | 1 | 1201-1450 | 1290 1 | 10 6-31512-12-0-1 | | | |
| | | | 1 | 1 | 1451-1600 | 1290 1 | 10 6-31512-12-0-1 | | | |
| | | | 1 | 1 | 1451-1600 | 500 1 | 10 6-32142-00-0-1 Extension 500 | | | |
| Gear | | | | | | | | | | |
| | | | | | SRH | Forend ML | G | | | |
| 1 | | 1 | | | 451- 550 | 390 | 155 10 G-22121-00-0-1 G-22141-00-0-1 | | | |
| 1 | | 1 | | | 551- 720 | 560 | 200 10 G-22122-00-0-1 G-22142-00-0-1 | | | |
| 1 | 1 | 1 | 1 | | 721- 850 | 690 1 | 250 10 G-22123-00-0-1 G-22143-00-0-1 | | | |
| 1 | 1 | 1 | 1 | | 851-1100 | 940 1 | 400 10 G-22124-00-0-1 G-22144-00-0-1 | | | |
| | | | 1 | 1 | 1101-1350 | 1190 1 | 500 10 G-22125-00-0-1 G-22145-00-0-1 | | | |
| | | | 1 | 1 | 1351-1600 | 1440 2 | 600 10 G-22127-00-0-1 G-22147-00-0-1 | | | |
| | | | 1 | 1 | 1601-1850 | 1690 3 | 600 10 G-22128-00-0-1 G-22148-00-0-1 | | | |
| | | | 1 | 1 | 1851-2100 | 1940 3 | 980 10 G-22133-00-0-1 G-22153-00-0-1 | | | |
| | | | 1 | 1 | 2101-2350 | 2190 4 | 980 10 G-22134-00-0-1 G-22154-00-0-1 | | | |
| 1 | 1 | 1 | 1 | 1 | Anti-drill escutcheon – Gear 15 GK | | 100 9-41749-00-0-0 | | | |
| Middle lock DK – bottom | | | | | | | | | | |
| | | | | | SRW | Forend ML | | | | |
| 1 | 1 | | | 1 | 401- 750 | 215 1 | 10 6-32012-00-0-1 | | | |
| | | 1 | 1 | | 751- 950 | 530 2 | 10 6-32076-05-0-1 | | | |
| | | 1 | 1 | | 951-1200 | 740 2 | 10 6-32076-07-0-1 | | | |
| | | 1 | 1 | | 1201-1600 | 1050 3 | 10 6-32076-10-0-1 | | | |
| 1 | 1 | 1 | 1 | 1 | Lifting stop 90° | | 100 9-33432-00-0-1 | | | |
| Middle lock Se – hinge side | | | | | | | | | | |
| | | | | | SRH | Forend ML | | | | |
| 1 | | 1 | | | 451- 720 | 215 1 | 10 6-32010-00-0-1 | | | |
| | 1 | 1 | | | 721-1100 | 530 2 | 10 6-32008-05-0-1 | | | |
| | 1 | 1 | | | 1101-1350 | 740 2 | 10 6-32008-07-0-1 | | | |
| | 1 | 1 | | | 1351-1850 | 1190 3 | 10 6-32008-12-0-1 | | | |
| | | | 1 | 1 | 1851-2100 | 1450 3 | 10 6-32008-15-0-1 | | | |
| | | | 1 | 1 | 2101-2350 | 1890 4 | 10 6-32008-19-0-1 | | | |
| 1 | 1 | 1 | 1 | 1 | Locking plate Se – tilt function | | 100 (acc. to profile) | | | |
| Locking plate Se / standard | | | | | | | | | | |
| | | | | | SRH / SRW | 401-750 | 751-1200 | 1201-1450 | 1451-1600 | |
| | | | | | | 451- 720 | 3 / 0 | 4 / 1 | 4 / 2 | 4 / 3 |
| | | | | | | 721-1350 | 4 / 1 | 5 / 2 | 5 / 3 | 5 / 4 |
| | | | | | | 1351-1600 | 4 / 3 | 5 / 4 | 5 / 5 | 5 / 6 |
| | | | | | | 1601-2100 | 4 / 4 | 5 / 5 | 5 / 6 | 5 / 7 |
| | | | | | | 2101-2350 | 4 / 6 | 5 / 7 | 5 / 8 | 5 / 9 |

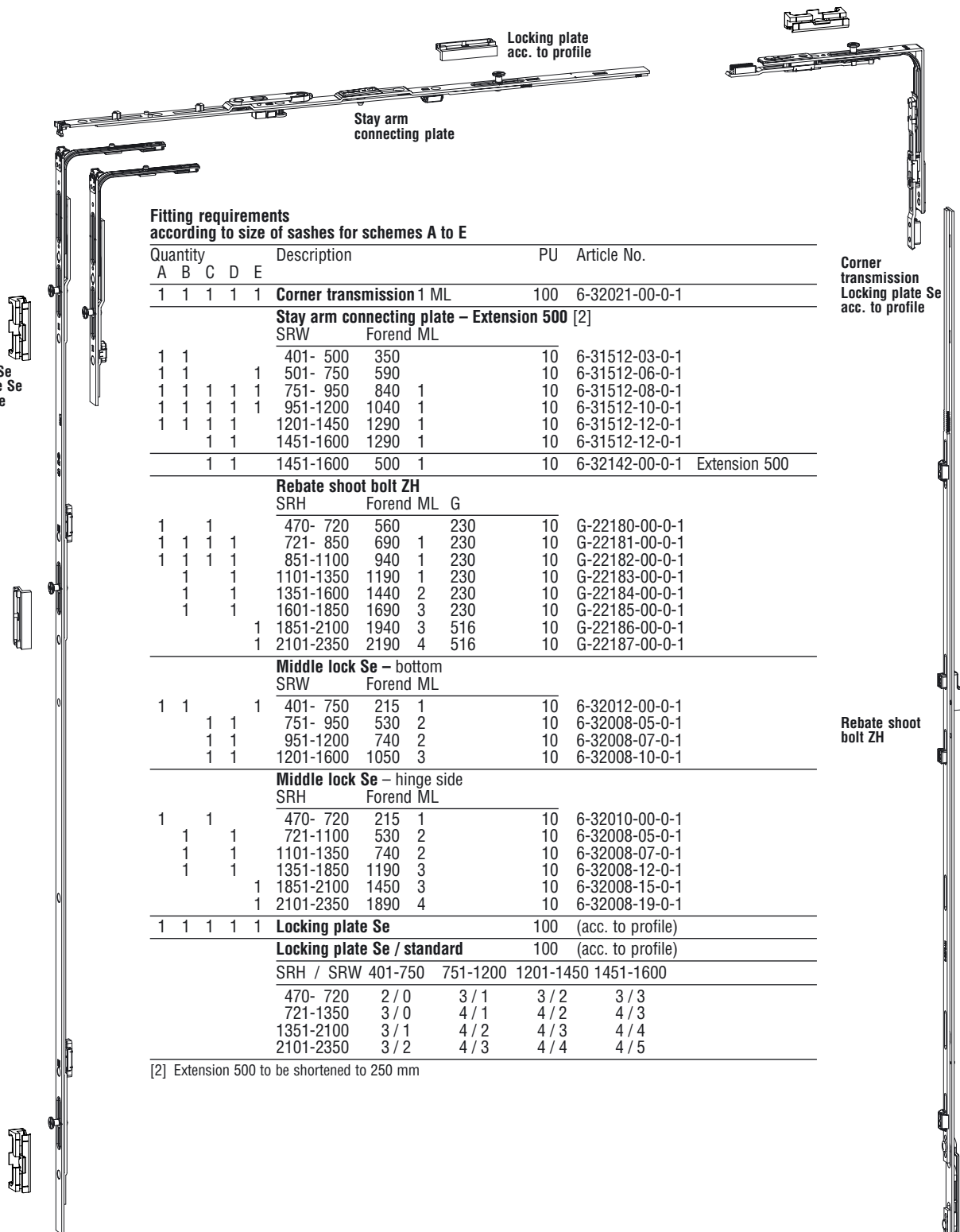
[2] Extension 500 to be shortened to 250 mm



Fixed gear position, groove position 9 and 13 mm



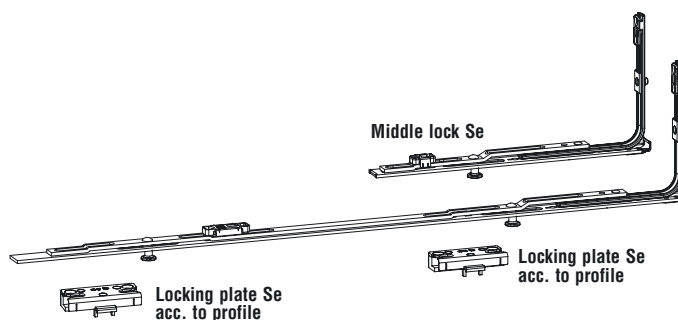
Ahs or WK 2



Fitting requirements according to size of sashes for schemes A to E

| Quantity | | | | | Description | PU | Article No. | | | |
|--|---|---|---|---|------------------------------------|-----------|------------------------------|-----------|-----------|-------|
| A | B | C | D | E | | | | | | |
| 1 | 1 | 1 | 1 | 1 | Corner transmission 1 ML | 100 | 6-32021-00-0-1 | | | |
| Stay arm connecting plate – Extension 500 [2] | | | | | | | | | | |
| | | | | | SRW | Forend ML | | | | |
| 1 | 1 | | | | 401- 500 350 | 10 | 6-31512-03-0-1 | | | |
| 1 | 1 | | 1 | | 501- 750 590 | 10 | 6-31512-06-0-1 | | | |
| 1 | 1 | 1 | 1 | 1 | 751- 950 840 1 | 10 | 6-31512-08-0-1 | | | |
| 1 | 1 | 1 | 1 | 1 | 951-1200 1040 1 | 10 | 6-31512-10-0-1 | | | |
| 1 | 1 | 1 | 1 | | 1201-1450 1290 1 | 10 | 6-31512-12-0-1 | | | |
| | | | | 1 | 1451-1600 1290 1 | 10 | 6-31512-12-0-1 | | | |
| | 1 | 1 | | | 1451-1600 500 1 | 10 | 6-32142-00-0-1 Extension 500 | | | |
| Rebate shoot bolt ZH | | | | | | | | | | |
| | | | | | SRH | Forend ML | G | | | |
| 1 | | 1 | | | 470- 720 560 230 | 10 | G-22180-00-0-1 | | | |
| 1 | 1 | 1 | 1 | | 721- 850 690 1 230 | 10 | G-22181-00-0-1 | | | |
| 1 | 1 | 1 | 1 | | 851-1100 940 1 230 | 10 | G-22182-00-0-1 | | | |
| | 1 | 1 | | | 1101-1350 1190 1 230 | 10 | G-22183-00-0-1 | | | |
| | | 1 | 1 | | 1351-1600 1440 2 230 | 10 | G-22184-00-0-1 | | | |
| | | 1 | 1 | | 1601-1850 1690 3 230 | 10 | G-22185-00-0-1 | | | |
| | | | 1 | | 1851-2100 1940 3 516 | 10 | G-22186-00-0-1 | | | |
| | | | 1 | | 2101-2350 2190 4 516 | 10 | G-22187-00-0-1 | | | |
| Middle lock Se – bottom | | | | | | | | | | |
| | | | | | SRW | Forend ML | | | | |
| 1 | 1 | | | 1 | 401- 750 215 1 | 10 | 6-32012-00-0-1 | | | |
| | | 1 | 1 | | 751- 950 530 2 | 10 | 6-32008-05-0-1 | | | |
| | | 1 | 1 | | 951-1200 740 2 | 10 | 6-32008-07-0-1 | | | |
| | | 1 | 1 | | 1201-1600 1050 3 | 10 | 6-32008-10-0-1 | | | |
| Middle lock Se – hinge side | | | | | | | | | | |
| | | | | | SRH | Forend ML | | | | |
| 1 | | 1 | | | 470- 720 215 1 | 10 | 6-32010-00-0-1 | | | |
| | 1 | | 1 | | 721-1100 530 2 | 10 | 6-32008-05-0-1 | | | |
| | 1 | | 1 | | 1101-1350 740 2 | 10 | 6-32008-07-0-1 | | | |
| | 1 | | 1 | | 1351-1850 1190 3 | 10 | 6-32008-12-0-1 | | | |
| | | 1 | | | 1851-2100 1450 3 | 10 | 6-32008-15-0-1 | | | |
| | | | 1 | | 2101-2350 1890 4 | 10 | 6-32008-19-0-1 | | | |
| 1 | 1 | 1 | 1 | 1 | Locking plate Se | 100 | (acc. to profile) | | | |
| | | | | | Locking plate Se / standard | 100 | (acc. to profile) | | | |
| | | | | | SRH / SRW | 401-750 | 751-1200 | 1201-1450 | 1451-1600 | |
| | | | | | | 470- 720 | 2 / 0 | 3 / 1 | 3 / 2 | 3 / 3 |
| | | | | | | 721-1350 | 3 / 0 | 4 / 1 | 4 / 2 | 4 / 3 |
| | | | | | | 1351-2100 | 3 / 1 | 4 / 2 | 4 / 3 | 4 / 4 |
| | | | | | | 2101-2350 | 3 / 2 | 4 / 3 | 4 / 4 | 4 / 5 |

[2] Extension 500 to be shortened to 250 mm

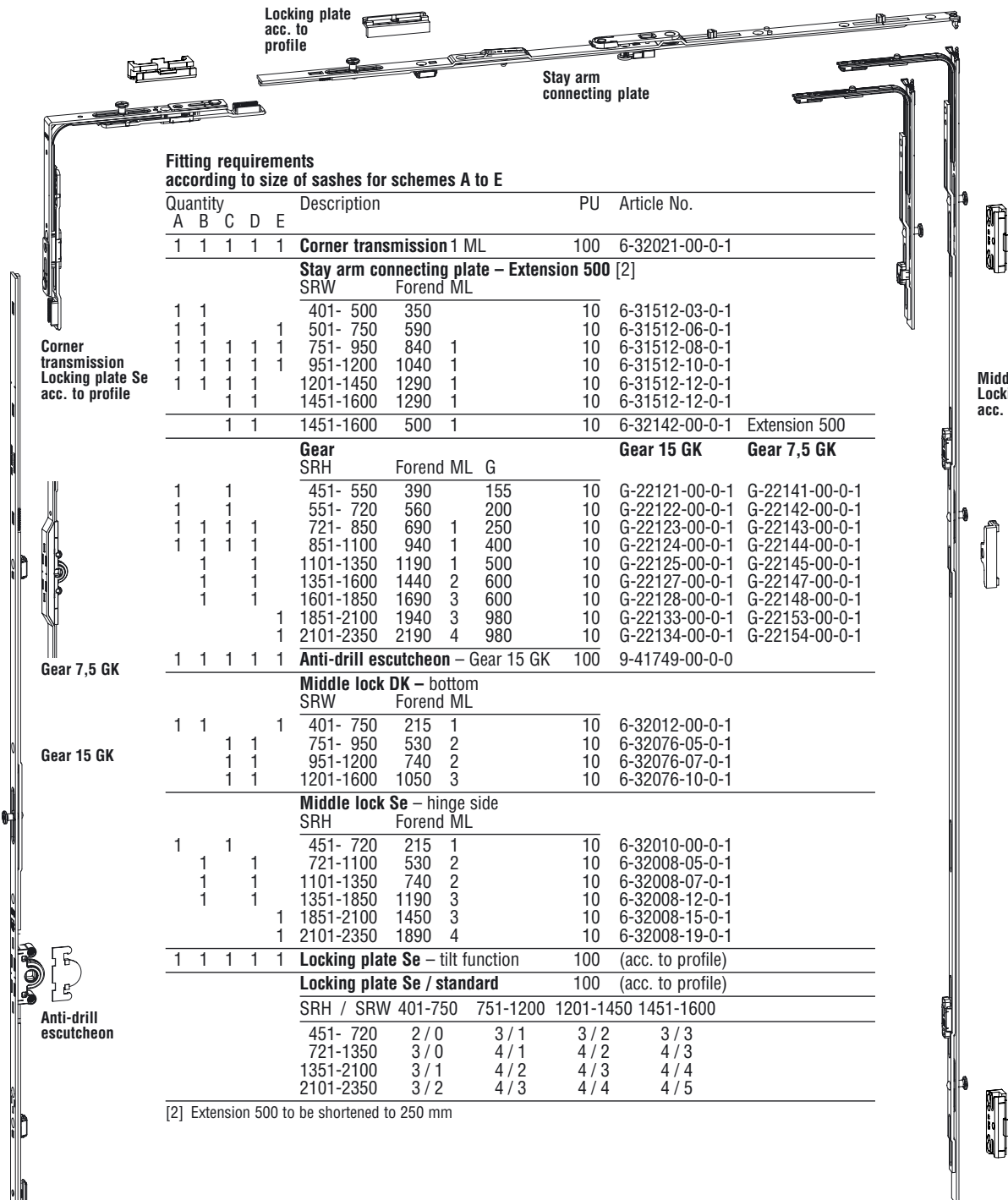


Fixed gear position, groove position 9 and 13 mm



Ahs or WK 2

2



Fitting requirements according to size of sashes for schemes A to E

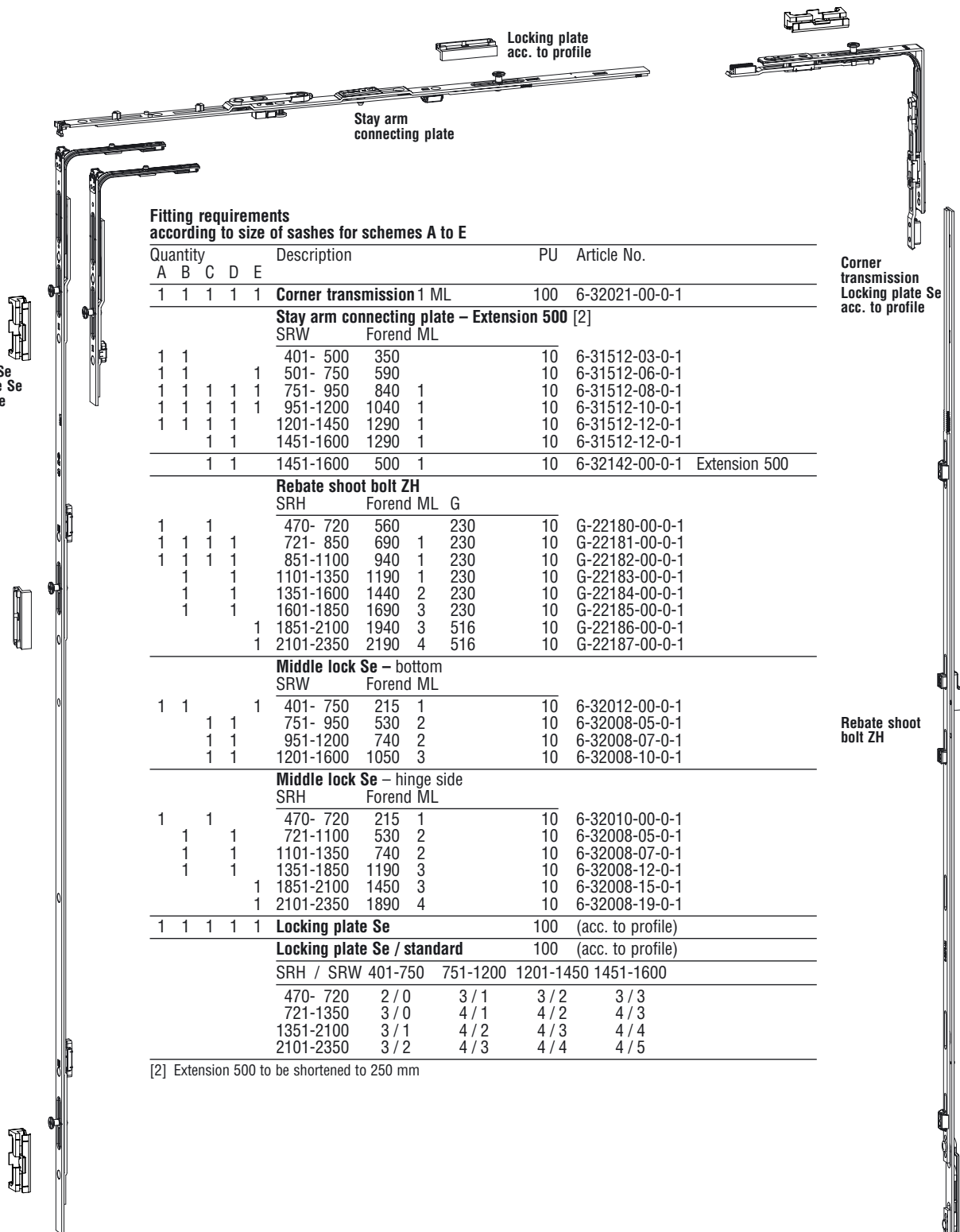
| Quantity | | | | | Description | PU | Article No. | | | |
|--|---|---|---|---|---|-----------|--------------------------------------|-----------|-----------|-----|
| A | B | C | D | E | | | | | | |
| 1 | 1 | 1 | 1 | 1 | Corner transmission 1 ML | 100 | 6-32021-00-0-1 | | | |
| Stay arm connecting plate – Extension 500 [2] | | | | | | | | | | |
| | | | | | SRW | Forend ML | | | | |
| 1 | 1 | | | | 401- 500 | 350 | 10 6-31512-03-0-1 | | | |
| 1 | 1 | | 1 | | 501- 750 | 590 | 10 6-31512-06-0-1 | | | |
| 1 | 1 | 1 | 1 | 1 | 751- 950 | 840 1 | 10 6-31512-08-0-1 | | | |
| 1 | 1 | 1 | 1 | 1 | 951-1200 | 1040 1 | 10 6-31512-10-0-1 | | | |
| 1 | 1 | 1 | 1 | 1 | 1201-1450 | 1290 1 | 10 6-31512-12-0-1 | | | |
| | | | 1 | 1 | 1451-1600 | 1290 1 | 10 6-31512-12-0-1 | | | |
| | | | 1 | 1 | 1451-1600 | 500 1 | 10 6-32142-00-0-1 Extension 500 | | | |
| Gear | | | | | | | | | | |
| | | | | | SRH | Forend ML | G | | | |
| 1 | | 1 | | | 451- 550 | 390 | 155 10 G-22121-00-0-1 G-22141-00-0-1 | | | |
| 1 | | 1 | | | 551- 720 | 560 | 200 10 G-22122-00-0-1 G-22142-00-0-1 | | | |
| 1 | 1 | 1 | 1 | | 721- 850 | 690 1 | 250 10 G-22123-00-0-1 G-22143-00-0-1 | | | |
| 1 | 1 | 1 | 1 | | 851-1100 | 940 1 | 400 10 G-22124-00-0-1 G-22144-00-0-1 | | | |
| | | | 1 | 1 | 1101-1350 | 1190 1 | 500 10 G-22125-00-0-1 G-22145-00-0-1 | | | |
| | | | 1 | 1 | 1351-1600 | 1440 2 | 600 10 G-22127-00-0-1 G-22147-00-0-1 | | | |
| | | | 1 | 1 | 1601-1850 | 1690 3 | 600 10 G-22128-00-0-1 G-22148-00-0-1 | | | |
| | | | 1 | 1 | 1851-2100 | 1940 3 | 980 10 G-22133-00-0-1 G-22153-00-0-1 | | | |
| | | | 1 | 1 | 2101-2350 | 2190 4 | 980 10 G-22134-00-0-1 G-22154-00-0-1 | | | |
| 1 | 1 | 1 | 1 | 1 | Anti-drill escutcheon – Gear 15 GK | | 100 9-41749-00-0-0 | | | |
| Middle lock DK – bottom | | | | | | | | | | |
| | | | | | SRW | Forend ML | | | | |
| 1 | 1 | | | 1 | 401- 750 | 215 1 | 10 6-32012-00-0-1 | | | |
| | | 1 | 1 | | 751- 950 | 530 2 | 10 6-32076-05-0-1 | | | |
| | | 1 | 1 | | 951-1200 | 740 2 | 10 6-32076-07-0-1 | | | |
| | | 1 | 1 | | 1201-1600 | 1050 3 | 10 6-32076-10-0-1 | | | |
| Middle lock Se – hinge side | | | | | | | | | | |
| | | | | | SRH | Forend ML | | | | |
| 1 | | 1 | | | 451- 720 | 215 1 | 10 6-32010-00-0-1 | | | |
| | 1 | | 1 | | 721-1100 | 530 2 | 10 6-32008-05-0-1 | | | |
| | 1 | | 1 | | 1101-1350 | 740 2 | 10 6-32008-07-0-1 | | | |
| | 1 | | 1 | | 1351-1850 | 1190 3 | 10 6-32008-12-0-1 | | | |
| | | | 1 | 1 | 1851-2100 | 1450 3 | 10 6-32008-15-0-1 | | | |
| | | | 1 | 1 | 2101-2350 | 1890 4 | 10 6-32008-19-0-1 | | | |
| 1 | 1 | 1 | 1 | 1 | Locking plate Se – tilt function | | 100 (acc. to profile) | | | |
| Locking plate Se / standard | | | | | | | | | | |
| | | | | | SRH / SRW | 401-750 | 751-1200 | 1201-1450 | 1451-1600 | |
| | | | | | | 451- 720 | 2/0 | 3/1 | 3/2 | 3/3 |
| | | | | | | 721-1350 | 3/0 | 4/1 | 4/2 | 4/3 |
| | | | | | | 1351-2100 | 3/1 | 4/2 | 4/3 | 4/4 |
| | | | | | | 2101-2350 | 3/2 | 4/3 | 4/4 | 4/5 |

[2] Extension 500 to be shortened to 250 mm

Fixed gear position, groove position 9 and 13 mm



Ahs or WK 2



Fitting requirements according to size of sashes for schemes A to E

| Quantity | | | | | Description | PU | Article No. | | | |
|--|---|---|---|---|---------------------------------|-----------|---------------------------------|-----------|-----------|-------|
| A | B | C | D | E | | | | | | |
| 1 | 1 | 1 | 1 | 1 | Corner transmission 1 ML | 100 | 6-32021-00-0-1 | | | |
| Stay arm connecting plate – Extension 500 [2] | | | | | | | | | | |
| | | | | | SRW | Forend ML | | | | |
| 1 | 1 | | | | 401- 500 | 350 | 10 6-31512-03-0-1 | | | |
| 1 | 1 | | | 1 | 501- 750 | 590 | 10 6-31512-06-0-1 | | | |
| 1 | 1 | 1 | 1 | 1 | 751- 950 | 840 1 | 10 6-31512-08-0-1 | | | |
| 1 | 1 | 1 | 1 | 1 | 951-1200 | 1040 1 | 10 6-31512-10-0-1 | | | |
| 1 | 1 | 1 | 1 | | 1201-1450 | 1290 1 | 10 6-31512-12-0-1 | | | |
| | | | | 1 | 1451-1600 | 1290 1 | 10 6-31512-12-0-1 | | | |
| | 1 | 1 | | | 1451-1600 | 500 1 | 10 6-32142-00-0-1 Extension 500 | | | |
| Rebate shoot bolt ZH | | | | | | | | | | |
| | | | | | SRH | Forend ML | G | | | |
| 1 | | 1 | | | 470- 720 | 560 | 230 10 G-22180-00-0-1 | | | |
| 1 | 1 | 1 | 1 | | 721- 850 | 690 1 | 230 10 G-22181-00-0-1 | | | |
| 1 | 1 | 1 | 1 | | 851-1100 | 940 1 | 230 10 G-22182-00-0-1 | | | |
| | 1 | 1 | | | 1101-1350 | 1190 1 | 230 10 G-22183-00-0-1 | | | |
| | | 1 | 1 | | 1351-1600 | 1440 2 | 230 10 G-22184-00-0-1 | | | |
| | | 1 | 1 | | 1601-1850 | 1690 3 | 230 10 G-22185-00-0-1 | | | |
| | | | 1 | | 1851-2100 | 1940 3 | 516 10 G-22186-00-0-1 | | | |
| | | | 1 | | 2101-2350 | 2190 4 | 516 10 G-22187-00-0-1 | | | |
| Middle lock Se – bottom | | | | | | | | | | |
| | | | | | SRW | Forend ML | | | | |
| 1 | 1 | | | 1 | 401- 750 | 215 1 | 10 6-32012-00-0-1 | | | |
| | | 1 | 1 | | 751- 950 | 530 2 | 10 6-32008-05-0-1 | | | |
| | | 1 | 1 | | 951-1200 | 740 2 | 10 6-32008-07-0-1 | | | |
| | | 1 | 1 | | 1201-1600 | 1050 3 | 10 6-32008-10-0-1 | | | |
| Middle lock Se – hinge side | | | | | | | | | | |
| | | | | | SRH | Forend ML | | | | |
| 1 | | 1 | | | 470- 720 | 215 1 | 10 6-32010-00-0-1 | | | |
| | 1 | | 1 | | 721-1100 | 530 2 | 10 6-32008-05-0-1 | | | |
| | 1 | | 1 | | 1101-1350 | 740 2 | 10 6-32008-07-0-1 | | | |
| | 1 | | 1 | | 1351-1850 | 1190 3 | 10 6-32008-12-0-1 | | | |
| | | 1 | 1 | | 1851-2100 | 1450 3 | 10 6-32008-15-0-1 | | | |
| | | | 1 | | 2101-2350 | 1890 4 | 10 6-32008-19-0-1 | | | |
| 1 | 1 | 1 | 1 | 1 | Locking plate Se | | 100 (acc. to profile) | | | |
| Locking plate Se / standard | | | | | | | | | | |
| | | | | | SRH / SRW | 401-750 | 751-1200 | 1201-1450 | 1451-1600 | |
| | | | | | | 470- 720 | 2 / 0 | 3 / 1 | 3 / 2 | 3 / 3 |
| | | | | | | 721-1350 | 3 / 0 | 4 / 1 | 4 / 2 | 4 / 3 |
| | | | | | | 1351-2100 | 3 / 1 | 4 / 2 | 4 / 3 | 4 / 4 |
| | | | | | | 2101-2350 | 3 / 2 | 4 / 3 | 4 / 4 | 4 / 5 |

[2] Extension 500 to be shortened to 250 mm

Fixed gear position, groove position 9 and 13 mm



Ahs or WK 2

2

Fitting requirements according to size of sashes for schemes A to E

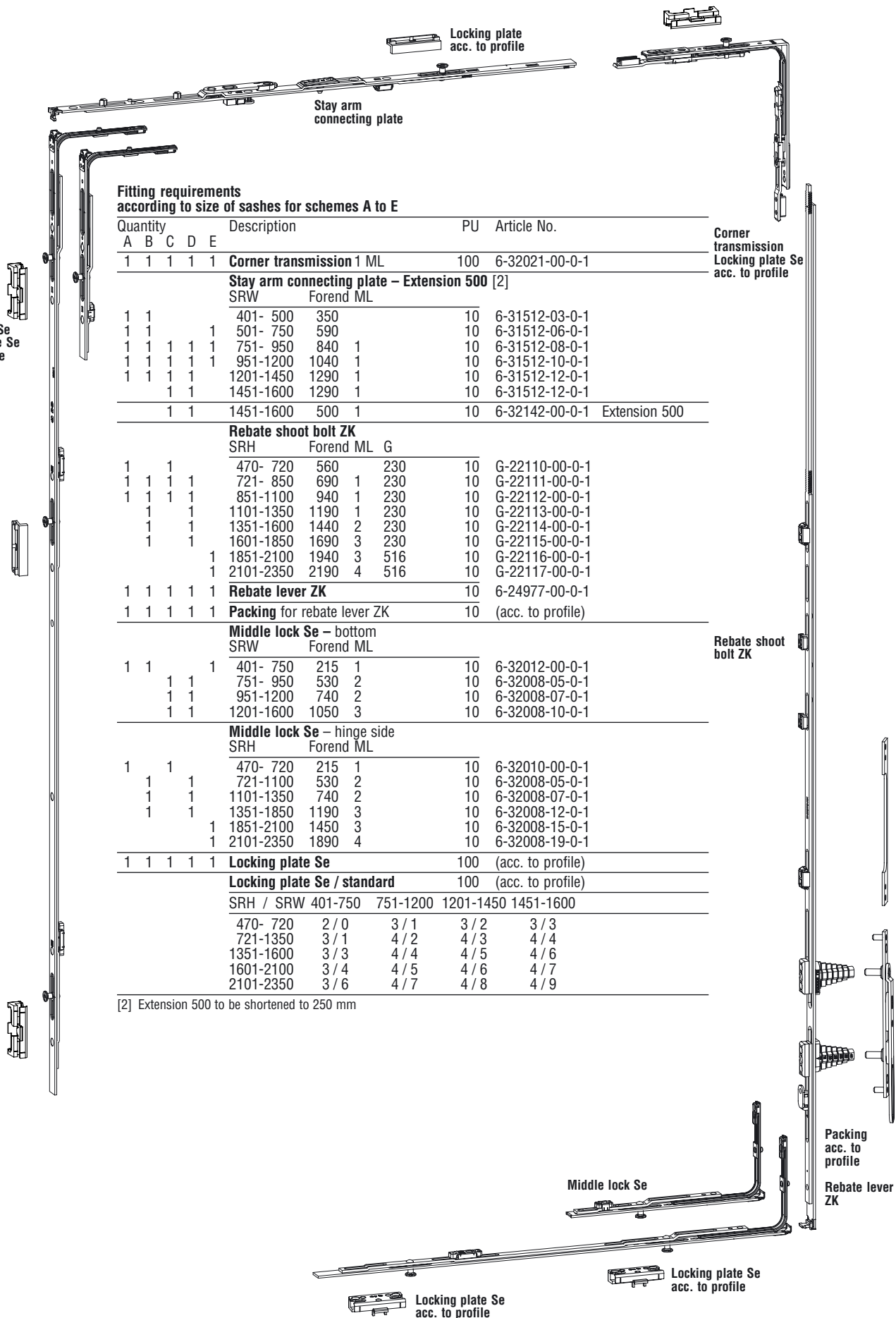
| Quantity | | | | | Description | PU | Article No. | | | |
|--|---|---|---|---|---|------------------|---------------------------------|-------------------|--------------------|--|
| A | B | C | D | E | | | | | | |
| 1 | 1 | 1 | 1 | 1 | Corner transmission 1 ML | 100 | 6-32021-00-0-1 | | | |
| Stay arm connecting plate – Extension 500 [2] | | | | | | | | | | |
| | | | | | SRW | Forend ML | | | | |
| 1 | 1 | | | | 401- 500 | 350 | 10 6-31512-03-0-1 | | | |
| 1 | 1 | | 1 | | 501- 750 | 590 | 10 6-31512-06-0-1 | | | |
| 1 | 1 | 1 | 1 | 1 | 751- 950 | 840 1 | 10 6-31512-08-0-1 | | | |
| 1 | 1 | 1 | 1 | 1 | 951-1200 | 1040 1 | 10 6-31512-10-0-1 | | | |
| 1 | 1 | 1 | 1 | 1 | 1201-1450 | 1290 1 | 10 6-31512-12-0-1 | | | |
| | | | 1 | 1 | 1451-1600 | 1290 1 | 10 6-31512-12-0-1 | | | |
| | | | 1 | 1 | 1451-1600 | 500 1 | 10 6-32142-00-0-1 Extension 500 | | | |
| | | | | | Gear SRH | Forend ML | G | Gear 15 GK | Gear 7,5 GK | |
| | 1 | 1 | | | 451- 550 | 390 | 155 | 10 G-22121-00-0-1 | G-22141-00-0-1 | |
| | 1 | 1 | | | 551- 720 | 560 | 200 | 10 G-22122-00-0-1 | G-22142-00-0-1 | |
| | 1 | 1 | 1 | 1 | 721- 850 | 690 1 | 250 | 10 G-22123-00-0-1 | G-22143-00-0-1 | |
| | 1 | 1 | 1 | 1 | 851-1100 | 940 1 | 400 | 10 G-22124-00-0-1 | G-22144-00-0-1 | |
| | | 1 | 1 | | 1101-1350 | 1190 1 | 500 | 10 G-22125-00-0-1 | G-22145-00-0-1 | |
| | | 1 | 1 | | 1351-1600 | 1440 2 | 600 | 10 G-22127-00-0-1 | G-22147-00-0-1 | |
| | | 1 | 1 | | 1601-1850 | 1690 3 | 600 | 10 G-22128-00-0-1 | G-22148-00-0-1 | |
| | | | 1 | 1 | 1851-2100 | 1940 3 | 980 | 10 G-22133-00-0-1 | G-22153-00-0-1 | |
| | | | 1 | 1 | 2101-2350 | 2190 4 | 980 | 10 G-22134-00-0-1 | G-22154-00-0-1 | |
| 1 | 1 | 1 | 1 | 1 | Anti-drill escutcheon – Gear 15 GK | | | 100 | 9-41749-00-0-0 | |
| | | | | | Middle lock DK – bottom | | | | | |
| | | | | | SRW | Forend ML | | | | |
| 1 | 1 | | | 1 | 401- 750 | 215 1 | | 10 | 6-32012-00-0-1 | |
| | | 1 | 1 | | 751- 950 | 530 2 | | 10 | 6-32076-05-0-1 | |
| | | 1 | 1 | | 951-1200 | 740 2 | | 10 | 6-32076-07-0-1 | |
| | | 1 | 1 | | 1201-1600 | 1050 3 | | 10 | 6-32076-10-0-1 | |
| 1 | 1 | 1 | 1 | 1 | Lifting stop 90° | | | 100 | 9-33432-00-0-1 | |
| | | | | | Middle lock Se – hinge side | | | | | |
| | | | | | SRH | Forend ML | | | | |
| 1 | | 1 | | | 451- 720 | 215 1 | | 10 | 6-32010-00-0-1 | |
| | 1 | 1 | | | 721-1100 | 530 2 | | 10 | 6-32008-05-0-1 | |
| | 1 | 1 | | | 1101-1350 | 740 2 | | 10 | 6-32008-07-0-1 | |
| | 1 | 1 | | | 1351-1850 | 1190 3 | | 10 | 6-32008-12-0-1 | |
| | | | 1 | 1 | 1851-2100 | 1450 3 | | 10 | 6-32008-15-0-1 | |
| | | | 1 | 1 | 2101-2350 | 1890 4 | | 10 | 6-32008-19-0-1 | |
| 1 | 1 | 1 | 1 | 1 | Locking plate Se – tilt function | | | 100 | (acc. to profile) | |
| | | | | | Locking plate Se / standard | | | 100 | (acc. to profile) | |
| | | | | | SRH / SRW | 401-750 | 751-1200 | 1201-1450 | 1451-1600 | |
| | | | | | 451- 720 | 2 / 0 | 3 / 1 | 3 / 2 | 3 / 3 | |
| | | | | | 721-1350 | 3 / 0 | 4 / 1 | 4 / 2 | 4 / 3 | |
| | | | | | 1351-2100 | 3 / 1 | 4 / 2 | 4 / 3 | 4 / 4 | |
| | | | | | 2101-2350 | 3 / 2 | 4 / 3 | 4 / 4 | 4 / 5 | |

[2] Extension 500 to be shortened to 250 mm

Fixed gear position, groove position 9 and 13 mm



Ahs or WK 2



Fitting requirements according to size of sashes for schemes A to E

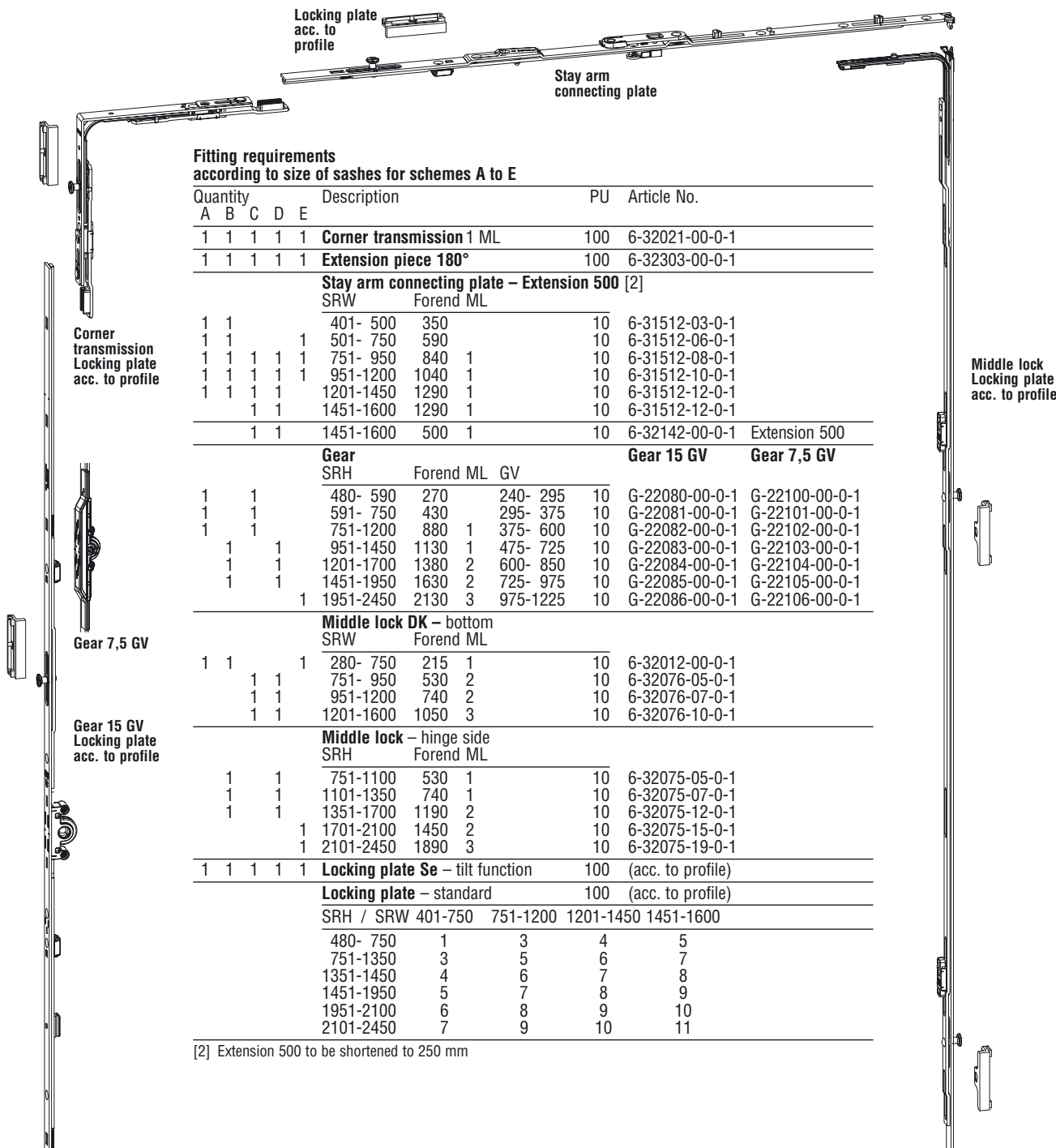
| Quantity | | | | | Description | PU | Article No. |
|--|---|-----------|-----------|----------|---------------------------------|-----------|------------------------------|
| A | B | C | D | E | | | |
| 1 | 1 | 1 | 1 | 1 | Corner transmission 1 ML | 100 | 6-32021-00-0-1 |
| Stay arm connecting plate – Extension 500 [2] | | | | | | | |
| | | SRW | Forend ML | | | | |
| 1 | 1 | | 401- | 500 | 350 | 10 | 6-31512-03-0-1 |
| 1 | 1 | | 501- | 750 | 590 | 10 | 6-31512-06-0-1 |
| 1 | 1 | 1 | 751- | 950 | 840 1 | 10 | 6-31512-08-0-1 |
| 1 | 1 | 1 | 951- | 1200 | 1040 1 | 10 | 6-31512-10-0-1 |
| 1 | 1 | 1 | 1201- | 1450 | 1290 1 | 10 | 6-31512-12-0-1 |
| | | 1 | 1451- | 1600 | 1290 1 | 10 | 6-31512-12-0-1 |
| 1 | 1 | | 1451- | 1600 | 500 1 | 10 | 6-32142-00-0-1 Extension 500 |
| Rebate shoot bolt ZK | | | | | | | |
| | | SRH | Forend ML | | G | | |
| 1 | 1 | 1 | 470- | 720 | 560 230 | 10 | G-22110-00-0-1 |
| 1 | 1 | 1 | 721- | 850 | 690 1 230 | 10 | G-22111-00-0-1 |
| 1 | 1 | 1 | 851- | 1100 | 940 1 230 | 10 | G-22112-00-0-1 |
| | | 1 | 1101- | 1350 | 1190 1 230 | 10 | G-22113-00-0-1 |
| | | 1 | 1351- | 1600 | 1440 2 230 | 10 | G-22114-00-0-1 |
| | | 1 | 1601- | 1850 | 1690 3 230 | 10 | G-22115-00-0-1 |
| | | 1 | 1851- | 2100 | 1940 3 516 | 10 | G-22116-00-0-1 |
| | | 1 | 2101- | 2350 | 2190 4 516 | 10 | G-22117-00-0-1 |
| 1 | 1 | 1 | 1 | 1 | 1 | 10 | 6-24977-00-0-1 |
| 1 | 1 | 1 | 1 | 1 | 1 | 10 | (acc. to profile) |
| Middle lock Se – bottom | | | | | | | |
| | | SRW | Forend ML | | | | |
| 1 | 1 | | 401- | 750 | 215 1 | 10 | 6-32012-00-0-1 |
| | | 1 | 751- | 950 | 530 2 | 10 | 6-32008-05-0-1 |
| | | 1 | 951- | 1200 | 740 2 | 10 | 6-32008-07-0-1 |
| | | 1 | 1201- | 1600 | 1050 3 | 10 | 6-32008-10-0-1 |
| Middle lock Se – hinge side | | | | | | | |
| | | SRH | Forend ML | | | | |
| 1 | 1 | | 470- | 720 | 215 1 | 10 | 6-32010-00-0-1 |
| | | 1 | 721- | 1100 | 530 2 | 10 | 6-32008-05-0-1 |
| | | 1 | 1101- | 1350 | 740 2 | 10 | 6-32008-07-0-1 |
| | | 1 | 1351- | 1850 | 1190 3 | 10 | 6-32008-12-0-1 |
| | | 1 | 1851- | 2100 | 1450 3 | 10 | 6-32008-15-0-1 |
| | | 1 | 2101- | 2350 | 1890 4 | 10 | 6-32008-19-0-1 |
| 1 | 1 | 1 | 1 | 1 | 1 | 100 | (acc. to profile) |
| Locking plate Se | | | | | | | |
| Locking plate Se / standard | | | | | | | |
| | | SRH / SRW | 401-750 | 751-1200 | 1201-1450 | 1451-1600 | |
| | | | 470- 720 | 2 / 0 | 3 / 1 | 3 / 2 | 3 / 3 |
| | | | 721-1350 | 3 / 1 | 4 / 2 | 4 / 3 | 4 / 4 |
| | | | 1351-1600 | 3 / 3 | 4 / 4 | 4 / 5 | 4 / 6 |
| | | | 1601-2100 | 3 / 4 | 4 / 5 | 4 / 6 | 4 / 7 |
| | | | 2101-2350 | 3 / 6 | 4 / 7 | 4 / 8 | 4 / 9 |

[2] Extension 500 to be shortened to 250 mm

Variable gear position, groove position 9 and 13 mm



Basic security

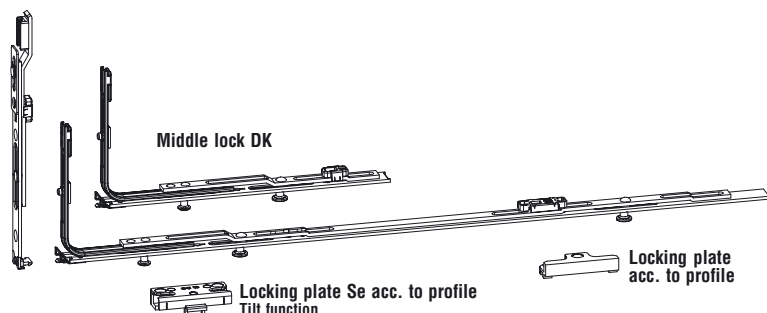


Fitting requirements according to size of sashes for schemes A to E

| Quantity | | | | | Description | PU | Article No. |
|--|---|-----------|-----------|----------|----------------------------------|-----------|-------------------------------|
| A | B | C | D | E | | | |
| 1 | 1 | 1 | 1 | 1 | Corner transmission 1 ML | 100 | 6-32021-00-0-1 |
| 1 | 1 | 1 | 1 | 1 | Extension piece 180° | 100 | 6-32303-00-0-1 |
| Stay arm connecting plate – Extension 500 [2] | | | | | | | |
| | | SRW | Forend ML | | | | |
| 1 | 1 | | | | 401- 500 350 | 10 | 6-31512-03-0-1 |
| 1 | 1 | | 1 | | 501- 750 590 | 10 | 6-31512-06-0-1 |
| 1 | 1 | 1 | 1 | 1 | 751- 950 840 1 | 10 | 6-31512-08-0-1 |
| 1 | 1 | 1 | 1 | 1 | 951-1200 1040 1 | 10 | 6-31512-10-0-1 |
| 1 | 1 | 1 | 1 | 1 | 1201-1450 1290 1 | 10 | 6-31512-12-0-1 |
| | | | 1 | 1 | 1451-1600 1290 1 | 10 | 6-31512-12-0-1 |
| | 1 | 1 | | | 1451-1600 500 1 | 10 | 6-32142-00-0-1 Extension 500 |
| Gear | | | | | | | |
| | | SRH | Forend ML | | GV | | |
| 1 | | 1 | | | 480- 590 270 240- 295 | 10 | G-22080-00-0-1 G-22100-00-0-1 |
| 1 | | 1 | | | 591- 750 430 295- 375 | 10 | G-22081-00-0-1 G-22101-00-0-1 |
| 1 | | 1 | | | 751-1200 880 1 375- 600 | 10 | G-22082-00-0-1 G-22102-00-0-1 |
| | 1 | | 1 | | 951-1450 1130 1 475- 725 | 10 | G-22083-00-0-1 G-22103-00-0-1 |
| | 1 | | 1 | | 1201-1700 1380 2 600- 850 | 10 | G-22084-00-0-1 G-22104-00-0-1 |
| | 1 | | 1 | | 1451-1950 1630 2 725- 975 | 10 | G-22085-00-0-1 G-22105-00-0-1 |
| | | | 1 | | 1951-2450 2130 3 975-1225 | 10 | G-22086-00-0-1 G-22106-00-0-1 |
| Middle lock DK – bottom | | | | | | | |
| | | SRW | Forend ML | | | | |
| 1 | 1 | | | 1 | 280- 750 215 1 | 10 | 6-32012-00-0-1 |
| | | 1 | 1 | | 751- 950 530 2 | 10 | 6-32076-05-0-1 |
| | | 1 | 1 | | 951-1200 740 2 | 10 | 6-32076-07-0-1 |
| | | 1 | 1 | | 1201-1600 1050 3 | 10 | 6-32076-10-0-1 |
| Middle lock – hinge side | | | | | | | |
| | | SRH | Forend ML | | | | |
| 1 | | 1 | | | 751-1100 530 1 | 10 | 6-32075-05-0-1 |
| 1 | | 1 | | | 1101-1350 740 1 | 10 | 6-32075-07-0-1 |
| 1 | | 1 | | | 1351-1700 1190 2 | 10 | 6-32075-12-0-1 |
| | | | 1 | | 1701-2100 1450 2 | 10 | 6-32075-15-0-1 |
| | | | 1 | | 2101-2450 1890 3 | 10 | 6-32075-19-0-1 |
| 1 | 1 | 1 | 1 | 1 | Locking plate Se – tilt function | 100 | (acc. to profile) |
| Locking plate – standard | | | | | | 100 | (acc. to profile) |
| | | SRH / SRW | 401-750 | 751-1200 | 1201-1450 | 1451-1600 | |
| | | | 480- 750 | 1 | 3 | 4 | 5 |
| | | | 751-1350 | 3 | 5 | 6 | 7 |
| | | | 1351-1450 | 4 | 6 | 7 | 8 |
| | | | 1451-1950 | 5 | 7 | 8 | 9 |
| | | | 1951-2100 | 6 | 8 | 9 | 10 |
| | | | 2101-2450 | 7 | 9 | 10 | 11 |

[2] Extension 500 to be shortened to 250 mm

Extension piece 180°

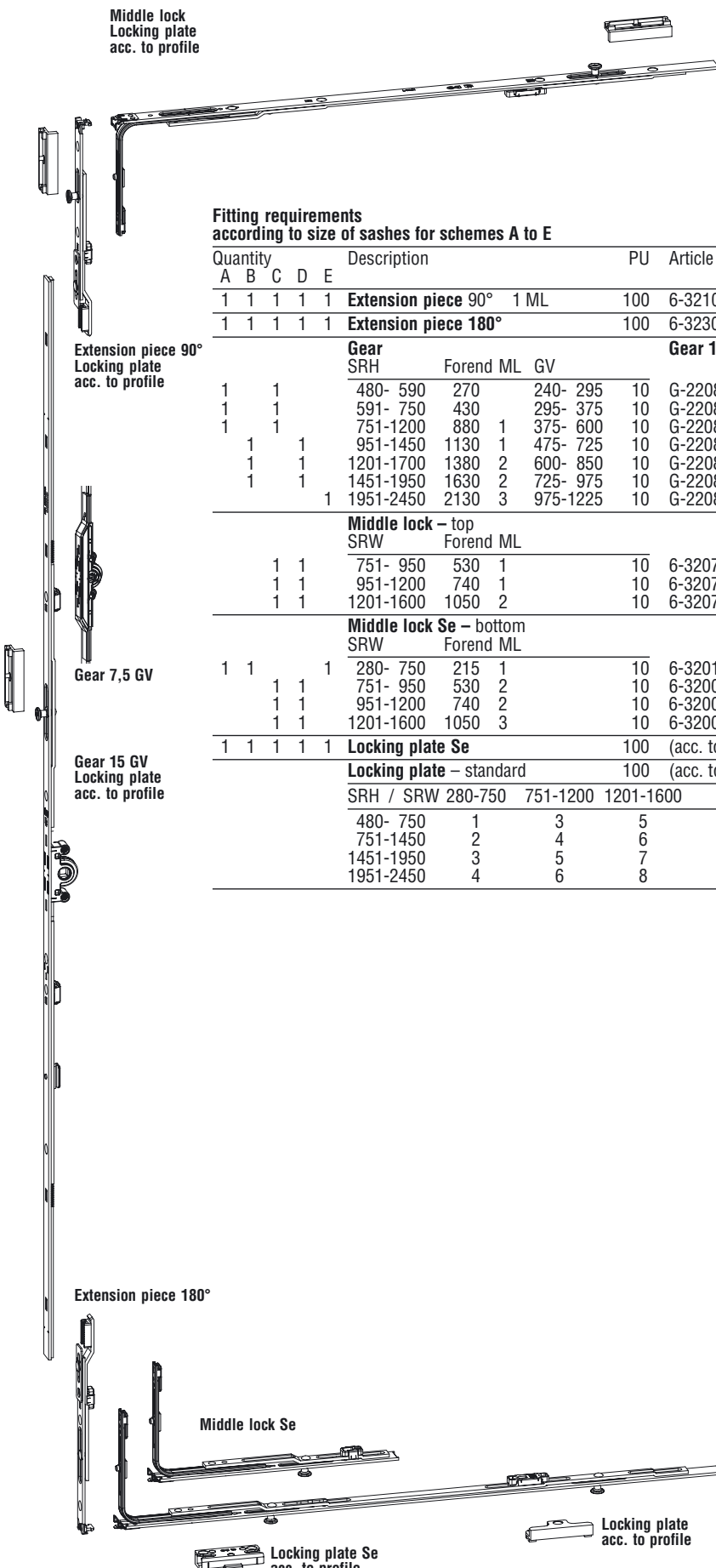


Variable gear position, groove position 9 and 13 mm



Basic security

2

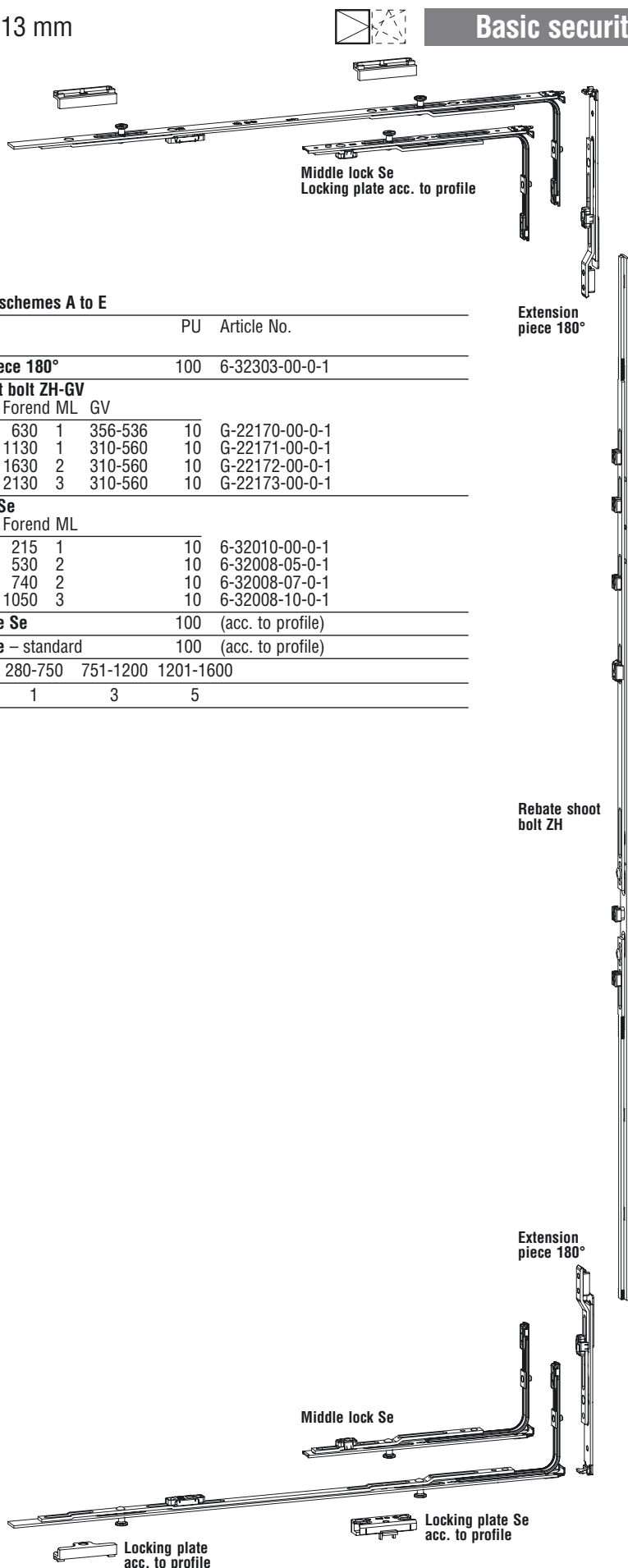


Fitting requirements according to size of sashes for schemes A to E

| Quantity | | | | | Description | PU | Article No. |
|--|---|-----------|----------|-----------|--------------------------|------------------------------------|--------------------|
| A | B | C | D | E | | | |
| 1 | 1 | 1 | 1 | 1 | Extension piece 90° 1 ML | 100 | 6-32104-00-0-1 |
| 1 | 1 | 1 | 1 | 1 | Extension piece 180° | 100 | 6-32303-00-0-1 |
| Extension piece 90° Locking plate acc. to profile | | | | | | | |
| Gear | | | | | | | |
| | | SRH | Forend | ML | GV | Gear 15 GV | Gear 7,5 GV |
| 1 | 1 | 480- 590 | 270 | 240- 295 | 10 | G-22080-00-0-1 | G-22100-00-0-1 |
| 1 | 1 | 591- 750 | 430 | 295- 375 | 10 | G-22081-00-0-1 | G-22101-00-0-1 |
| 1 | 1 | 751-1200 | 880 | 375- 600 | 10 | G-22082-00-0-1 | G-22102-00-0-1 |
| | 1 | 951-1450 | 1130 | 475- 725 | 10 | G-22083-00-0-1 | G-22103-00-0-1 |
| | 1 | 1201-1700 | 1380 | 600- 850 | 10 | G-22084-00-0-1 | G-22104-00-0-1 |
| | 1 | 1451-1950 | 1630 | 725- 975 | 10 | G-22085-00-0-1 | G-22105-00-0-1 |
| | | 1951-2450 | 2130 | 975-1225 | 10 | G-22086-00-0-1 | G-22106-00-0-1 |
| Middle lock – top | | | | | | | |
| | | SRW | Forend | ML | | | |
| | 1 | 751- 950 | 530 | 1 | 10 | 6-32075-05-0-1 | |
| | 1 | 951-1200 | 740 | 1 | 10 | 6-32075-07-0-1 | |
| | 1 | 1201-1600 | 1050 | 2 | 10 | 6-32075-10-0-1 | |
| Middle lock Se – bottom | | | | | | | |
| | | SRW | Forend | ML | | | |
| 1 | 1 | 280- 750 | 215 | 1 | 10 | 6-32010-00-0-1 | |
| | 1 | 751- 950 | 530 | 2 | 10 | 6-32008-05-0-1 | |
| | 1 | 951-1200 | 740 | 2 | 10 | 6-32008-07-0-1 | |
| | 1 | 1201-1600 | 1050 | 3 | 10 | 6-32008-10-0-1 | |
| 1 | 1 | 1 | 1 | 1 | 100 | Locking plate Se (acc. to profile) | |
| Locking plate – standard | | | | | | 100 | (acc. to profile) |
| SRH / SRW | | 280-750 | 751-1200 | 1201-1600 | | | |
| | | 480- 750 | 1 | 3 | 5 | | |
| | | 751-1450 | 2 | 4 | 6 | | |
| | | 1451-1950 | 3 | 5 | 7 | | |
| | | 1951-2450 | 4 | 6 | 8 | | |

Variable gear position, groove position 9 and 13 mm

Basic security



Fitting requirements according to size of sashes for schemes A to E

| Quantity | | | | | Description | PU | Article No. | | | |
|--------------------------------|---|---|---|---|---------------------------------|-----------|----------------|-----------|-------------------|--|
| A | B | C | D | E | | | | | | |
| 2 | 2 | 2 | 2 | 2 | Extension piece 180° | 100 | 6-32303-00-0-1 | | | |
| Rebate shoot bolt ZH-GV | | | | | | | | | | |
| | | | | | SRH | Forend ML | GV | | | |
| 1 | | 1 | | | 701- 950 | 630 | 1 356-536 | 10 | G-22170-00-0-1 | |
| 1 | 1 | 1 | 1 | | 951-1450 | 1130 | 1 310-560 | 10 | G-22171-00-0-1 | |
| 1 | 1 | 1 | 1 | | 1451-1950 | 1630 | 2 310-560 | 10 | G-22172-00-0-1 | |
| | 1 | | 1 | | 1951-2450 | 2130 | 3 310-560 | 10 | G-22173-00-0-1 | |
| Middle lock Se | | | | | | | | | | |
| | | | | | SRW | Forend ML | | | | |
| 2 | 2 | | | 2 | 280- 750 | 215 | 1 | 10 | 6-32010-00-0-1 | |
| | | 2 | 2 | | 751- 950 | 530 | 2 | 10 | 6-32008-05-0-1 | |
| | | 2 | 2 | | 951-1200 | 740 | 2 | 10 | 6-32008-07-0-1 | |
| | | 2 | 2 | | 1201-1600 | 1050 | 3 | 10 | 6-32008-10-0-1 | |
| 1 | 1 | 1 | 1 | 1 | Locking plate Se | | | 100 | (acc. to profile) | |
| | | | | | Locking plate – standard | | | 100 | (acc. to profile) | |
| | | | | | SRH / SRW | 280-750 | 751-1200 | 1201-1600 | | |
| | | | | | 741-2450 | 1 | 3 | 5 | | |

Variable gear position, groove position 9 and 13 mm



Basic security

2

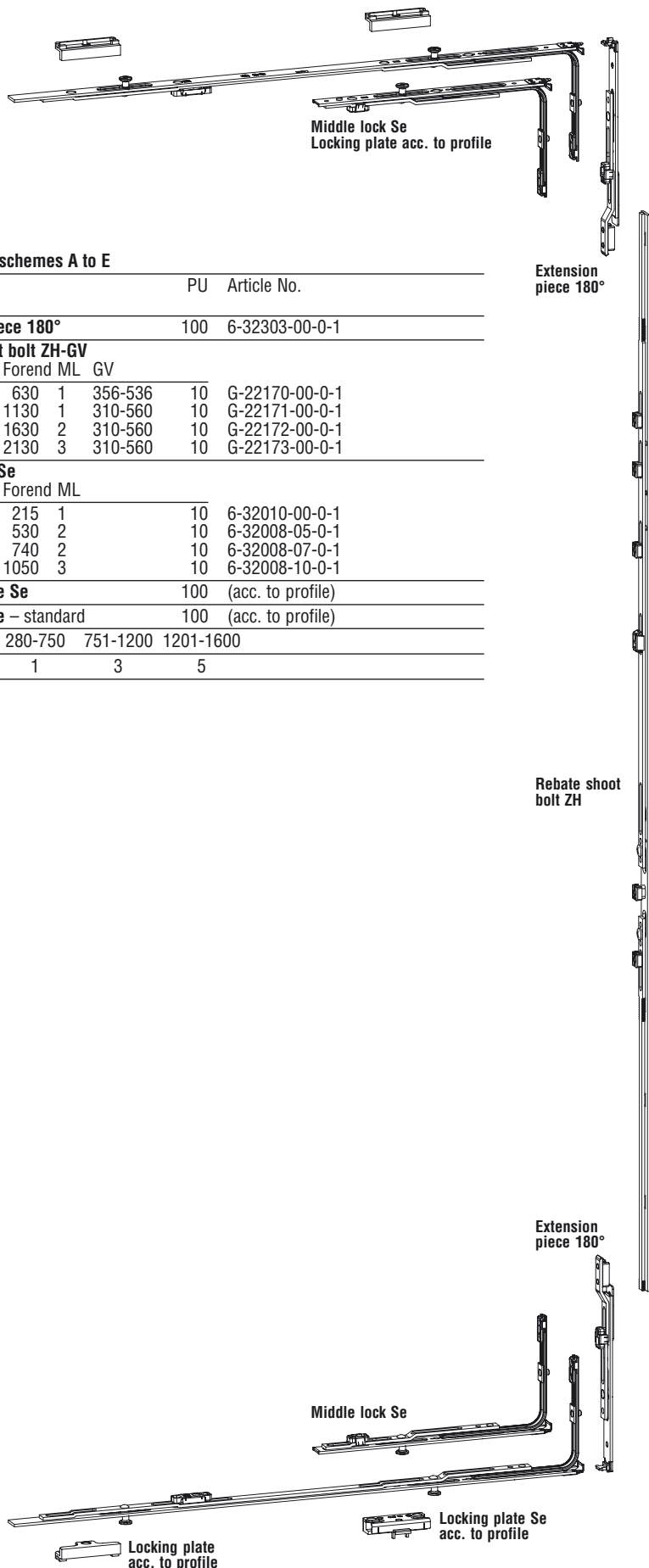
Fitting requirements according to size of sashes for schemes A to E

| Quantity | | | | | Description | PU | Article No. | | |
|--|---|---|---|---|---|-----------|---|-----------|-----------|
| A | B | C | D | E | | | | | |
| 1 | 1 | 1 | 1 | 1 | Corner transmission 1 ML | 100 | 6-32021-00-0-1 | | |
| 1 | 1 | 1 | 1 | 1 | Extension piece 180° | 100 | 6-32303-00-0-1 | | |
| Stay arm connecting plate – Extension 500 [2] | | | | | | | | | |
| | | | | | SRW | Forend ML | | | |
| 1 | 1 | | | | 401- 500 | 350 | 10 6-31512-03-0-1 | | |
| 1 | 1 | | 1 | | 501- 750 | 590 | 10 6-31512-06-0-1 | | |
| 1 | 1 | 1 | 1 | 1 | 751- 950 | 840 1 | 10 6-31512-08-0-1 | | |
| 1 | 1 | 1 | 1 | 1 | 951-1200 | 1040 1 | 10 6-31512-10-0-1 | | |
| 1 | 1 | 1 | 1 | 1 | 1201-1450 | 1290 1 | 10 6-31512-12-0-1 | | |
| | | | 1 | 1 | 1451-1600 | 1290 1 | 10 6-31512-12-0-1 | | |
| | 1 | 1 | | | 1451-1600 | 500 1 | 10 6-32142-00-0-1 Extension 500 | | |
| | | | | | Gear | | | | |
| | | | | | SRH | Forend ML | GV | | |
| 1 | | 1 | | | 480- 590 | 270 | 240- 295 10 G-22080-00-0-1 G-22100-00-0-1 | | |
| 1 | | 1 | | | 591- 750 | 430 | 295- 375 10 G-22081-00-0-1 G-22101-00-0-1 | | |
| 1 | | 1 | | | 751-1200 | 880 1 | 375- 600 10 G-22082-00-0-1 G-22102-00-0-1 | | |
| | | 1 | 1 | | 951-1450 | 1130 1 | 475- 725 10 G-22083-00-0-1 G-22103-00-0-1 | | |
| | | 1 | 1 | | 1201-1700 | 1380 2 | 600- 850 10 G-22084-00-0-1 G-22104-00-0-1 | | |
| | | 1 | 1 | | 1451-1950 | 1630 2 | 725- 975 10 G-22085-00-0-1 G-22105-00-0-1 | | |
| | | | | 1 | 1951-2450 | 2130 3 | 975-1225 10 G-22086-00-0-1 G-22106-00-0-1 | | |
| | | | | | Middle lock DK – bottom | | | | |
| | | | | | SRW | Forend ML | | | |
| 1 | 1 | | | 1 | 280- 750 | 215 1 | 10 6-32012-00-0-1 | | |
| | | 1 | 1 | | 751- 950 | 530 2 | 10 6-32076-05-0-1 | | |
| | | 1 | 1 | | 951-1200 | 740 2 | 10 6-32076-07-0-1 | | |
| | | 1 | 1 | | 1201-1600 | 1050 3 | 10 6-32076-10-0-1 | | |
| | | | | | Middle lock – hinge side | | | | |
| | | | | | SRH | Forend ML | | | |
| | 1 | 1 | | | 751-1100 | 530 1 | 10 6-32075-05-0-1 | | |
| | 1 | 1 | | | 1101-1350 | 740 1 | 10 6-32075-07-0-1 | | |
| | 1 | 1 | | | 1351-1700 | 1190 2 | 10 6-32075-12-0-1 | | |
| | | | 1 | | 1701-2100 | 1450 2 | 10 6-32075-15-0-1 | | |
| | | | 1 | | 2101-2450 | 1890 3 | 10 6-32075-19-0-1 | | |
| 1 | 1 | 1 | 1 | 1 | Locking plate Se – tilt function | | 100 (acc. to profile) | | |
| | | | | | Locking plate – standard | | 100 (acc. to profile) | | |
| | | | | | SRH / SRW | 401-750 | 751-1200 | 1201-1450 | 1451-1600 |
| | | | | | 480- 750 | 1 | 3 | 4 | 5 |
| | | | | | 751-1350 | 2 | 4 | 5 | 6 |
| | | | | | 1351-2100 | 3 | 5 | 6 | 7 |
| | | | | | 2101-2450 | 4 | 6 | 7 | 8 |

[2] Extension 500 to be shortened to 250 mm

Variable gear position, groove position 9 and 13 mm

Basic security



Fitting requirements according to size of sashes for schemes A to E

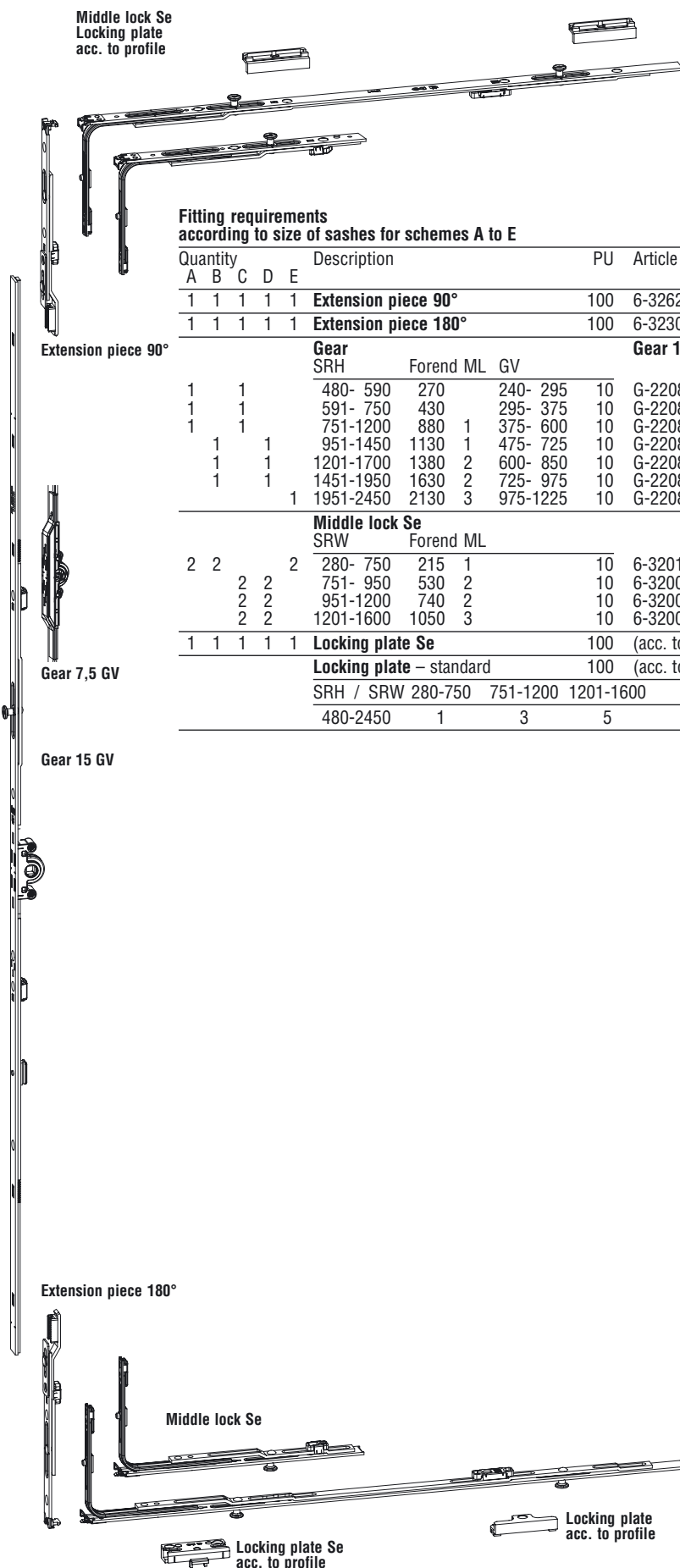
| Quantity | | | | | Description | PU | Article No. | | |
|---------------------------------|---|---|---|---|-----------------------------|-----------|----------------|-----------|-------------------|
| A | B | C | D | E | | | | | |
| 2 | 2 | 2 | 2 | 2 | Extension piece 180° | 100 | 6-32303-00-0-1 | | |
| Rebate shoot bolt ZH-GV | | | | | | | | | |
| | | | | | SRH | Forend ML | GV | | |
| 1 | | 1 | | | 701- 950 | 630 | 1 356-536 | 10 | G-22170-00-0-1 |
| 1 | 1 | 1 | 1 | | 951-1450 | 1130 | 1 310-560 | 10 | G-22171-00-0-1 |
| 1 | 1 | 1 | 1 | | 1451-1950 | 1630 | 2 310-560 | 10 | G-22172-00-0-1 |
| | 1 | | 1 | | 1951-2450 | 2130 | 3 310-560 | 10 | G-22173-00-0-1 |
| Middle lock Se | | | | | | | | | |
| | | | | | SRW | Forend ML | | | |
| 2 | 2 | | | 2 | 280- 750 | 215 | 1 | 10 | 6-32010-00-0-1 |
| | | 2 | 2 | | 751- 950 | 530 | 2 | 10 | 6-32008-05-0-1 |
| | | 2 | 2 | | 951-1200 | 740 | 2 | 10 | 6-32008-07-0-1 |
| | | 2 | 2 | | 1201-1600 | 1050 | 3 | 10 | 6-32008-10-0-1 |
| 1 | 1 | 1 | 1 | 1 | Locking plate Se | | | 100 | (acc. to profile) |
| Locking plate – standard | | | | | | | | 100 | (acc. to profile) |
| | | | | | SRH / SRW | 280-750 | 751-1200 | 1201-1600 | |
| | | | | | 741-2450 | 1 | 3 | 5 | |

Variable gear position, groove position 9 and 13 mm



Basic security

2



Fitting requirements according to size of sashes for schemes A to E

| Quantity | | | | | Description | PU | Article No. | | | | |
|----------|---|---|---|---|--------------------------|-------------------|--------------------|-----------|-------------------|-------------------|--|
| A | B | C | D | E | | | | | | | |
| 1 | 1 | 1 | 1 | 1 | Extension piece 90° | 100 | 6-32624-00-0-1 | | | | |
| 1 | 1 | 1 | 1 | 1 | Extension piece 180° | 100 | 6-32303-00-0-1 | | | | |
| | | | | | Gear | Gear 15 GV | Gear 7,5 GV | | | | |
| | | | | | SRH | Forend ML | GV | | | | |
| 1 | 1 | | | | 480- 590 | 270 | 240- 295 | 10 | G-22080-00-0-1 | G-22100-00-0-1 | |
| 1 | 1 | | | | 591- 750 | 430 | 295- 375 | 10 | G-22081-00-0-1 | G-22101-00-0-1 | |
| 1 | 1 | | | | 751-1200 | 880 | 1 375- 600 | 10 | G-22082-00-0-1 | G-22102-00-0-1 | |
| | 1 | 1 | | | 951-1450 | 1130 | 1 475- 725 | 10 | G-22083-00-0-1 | G-22103-00-0-1 | |
| | 1 | 1 | | | 1201-1700 | 1380 | 2 600- 850 | 10 | G-22084-00-0-1 | G-22104-00-0-1 | |
| | 1 | 1 | | | 1451-1950 | 1630 | 2 725- 975 | 10 | G-22085-00-0-1 | G-22105-00-0-1 | |
| | | | 1 | | 1951-2450 | 2130 | 3 975-1225 | 10 | G-22086-00-0-1 | G-22106-00-0-1 | |
| | | | | | Middle lock Se | | | | | | |
| | | | | | SRW | Forend ML | | | | | |
| 2 | 2 | | | 2 | 280- 750 | 215 | 1 | 10 | 6-32010-00-0-1 | | |
| | 2 | 2 | | | 751- 950 | 530 | 2 | 10 | 6-32008-05-0-1 | | |
| | 2 | 2 | | | 951-1200 | 740 | 2 | 10 | 6-32008-07-0-1 | | |
| | 2 | 2 | | | 1201-1600 | 1050 | 3 | 10 | 6-32008-10-0-1 | | |
| 1 | 1 | 1 | 1 | 1 | Locking plate Se | | | 100 | (acc. to profile) | | |
| | | | | | Locking plate – standard | | | | 100 | (acc. to profile) | |
| | | | | | SRH / SRW | 280-750 | 751-1200 | 1201-1600 | | | |
| | | | | | 480-2450 | 1 | 3 | 5 | | | |

Locking mechanism UNI-JET – Arch head fittings – 1 sash



Variable gear position, groove position 9 and 13 mm



Basic security

Arch head middle lock
Locking plate
acc. to profile

Arch head stay arm
Locking plate
acc. to profile

Extension piece 180°
Locking plate
acc. to profile

Gear 15 GV
Locking plate
acc. to profile

Sash positioner with wrong operation safety device (WOSD)
Wedge plate
acc. to profile

Fixing plate

Centre piece
Locking plate
acc. to profile

Locking plate Se
acc. to profile

Locking plate Se
Tilt function

Centre piece
Locking plate
acc. to profile

Corner transmission

Extension piece 180°

Locking plate Se
Tilt function

Corner transmission SLK
Middle lock 215 DK-K
Wedge

Centre piece
Locking plate
acc. to profile

Corner transmission

Fitting requirements according to size of sashes for schemes A to C

| Quantity | Description | | | PU | Article No. | |
|----------------------------------|-------------|---|----------|----------|-------------|-------------------|
| | A | B | C | | | |
| Arch head stay arm | | | | | | |
| | | SRHA [2] | SRW | ML | | |
| 1 | | 451- 580 | - 620 | 1 | 10 | 6-30369-00-0-1 |
| | 1 | 581-2090 | - 620 | 1 | 10 | 6-30369-01-0-1 |
| | 1 | 661-2090 | 621-1250 | 1 | 10 | 6-30369-02-0-1 |
| 1 | 1 | Fixing plate | | 100 | | 9-39782-00-0-1 |
| Gear 15 GV | | | | | | |
| | | FFHG | Forend | ML | GV | |
| 1 | | 480- 590 | 270 | 240- 295 | 10 | G-22080-00-0-1 |
| 1 | 1 | 591- 750 | 430 | 295- 375 | 10 | G-22081-00-0-1 |
| | 1 | 751-1200 | 880 | 375- 600 | 10 | G-22082-00-0-1 |
| | 1 | 951-1450 | 1130 | 475- 725 | 10 | G-22083-00-0-1 |
| | 1 | 1201-1700 | 1380 | 600- 850 | 10 | G-22084-00-0-1 |
| | 1 | 1451-1950 | 1630 | 725- 975 | 10 | G-22085-00-0-1 |
| | 1 | 1951-2450 | 2130 | 975-1225 | 10 | G-22086-00-0-1 |
| 1 | 1 | Extension piece 180° | | 100 | | 6-32303-00-0-1 |
| 1 | 1 | Sash positioner with WOSD | | 100 | | 6-29987-00-0-1 |
| 1 | 1 | SRHA 551-2090 | | | | |
| 1 | 1 | Wedge plate | | 100 | | (acc. to profile) |
| Centre piece – bottom | | | | | | |
| | | SRW [1] | Forend | ML | | |
| 1 | 1 | 500- 770 | 415 | | 10 | 6-26741-00-0-1 |
| | 1 | 771-1070 | 750 | 1 | 10 | 6-32781-01-0-1 |
| | 1 | 1071-1250 | 1130 | 1 | 10 | 6-32781-02-0-1 |
| 1 | 1 | Extension piece 180° | | 100 | | 6-32105-00-0-1 |
| | | SRW 455-735 | 1 MV | | | |
| 1 | | Arch head middle lock | | 10 | | 6-32952-00-0-1 |
| | | SRW 736-1250 | 2 ML | | | |
| 1 | 1 | Corner transmission [3] | | 100 | | 6-26743-00-0-1 |
| 1 | | Corner transmission SLK [2] | | 10 | | 6-32224-00-0-1 |
| | | SRHA 451-470 | | | | |
| 1 | 1 | Middle lock 215 DK-K | | 10 | | 6-32013-00-0-1 |
| | | SRHA 471-2090 | | | | |
| 1 | 1 | Wedge | | 100 | | 9-41796-00-0-1 |
| Centre piece – hinge side | | | | | | |
| | | SRHA | Forend | ML | | |
| 1 | 1 | 581- 790 | 415 | | 10 | 6-26741-00-0-1 |
| 1 | 1 | 791-1200 | 750 | 1 | 10 | 6-32781-01-0-1 |
| 1 | 1 | 1201-1590 | 1130 | 1 | 10 | 6-32781-02-0-1 |
| 1 | 1 | 1591-2090 | 1630 | 1 | 10 | 6-32781-03-0-1 |
| 1 | 1 | Locking plate Se – tilt function | | 100 | | (acc. to profile) |
| Locking plate – standard | | | | | | |
| | | SRHA / SRW | 455-620 | 621-770 | 771-1250 | |
| | | 480- 751 | 2 | 4 | 5 | |
| | | 751- 790 | 3 | 5 | 6 | |
| | | 791-1450 | 4 | 6 | 7 | |
| | | 1451-1950 | 5 | 7 | 8 | |
| | | 1951-2450 | 6 | 8 | 9 | |

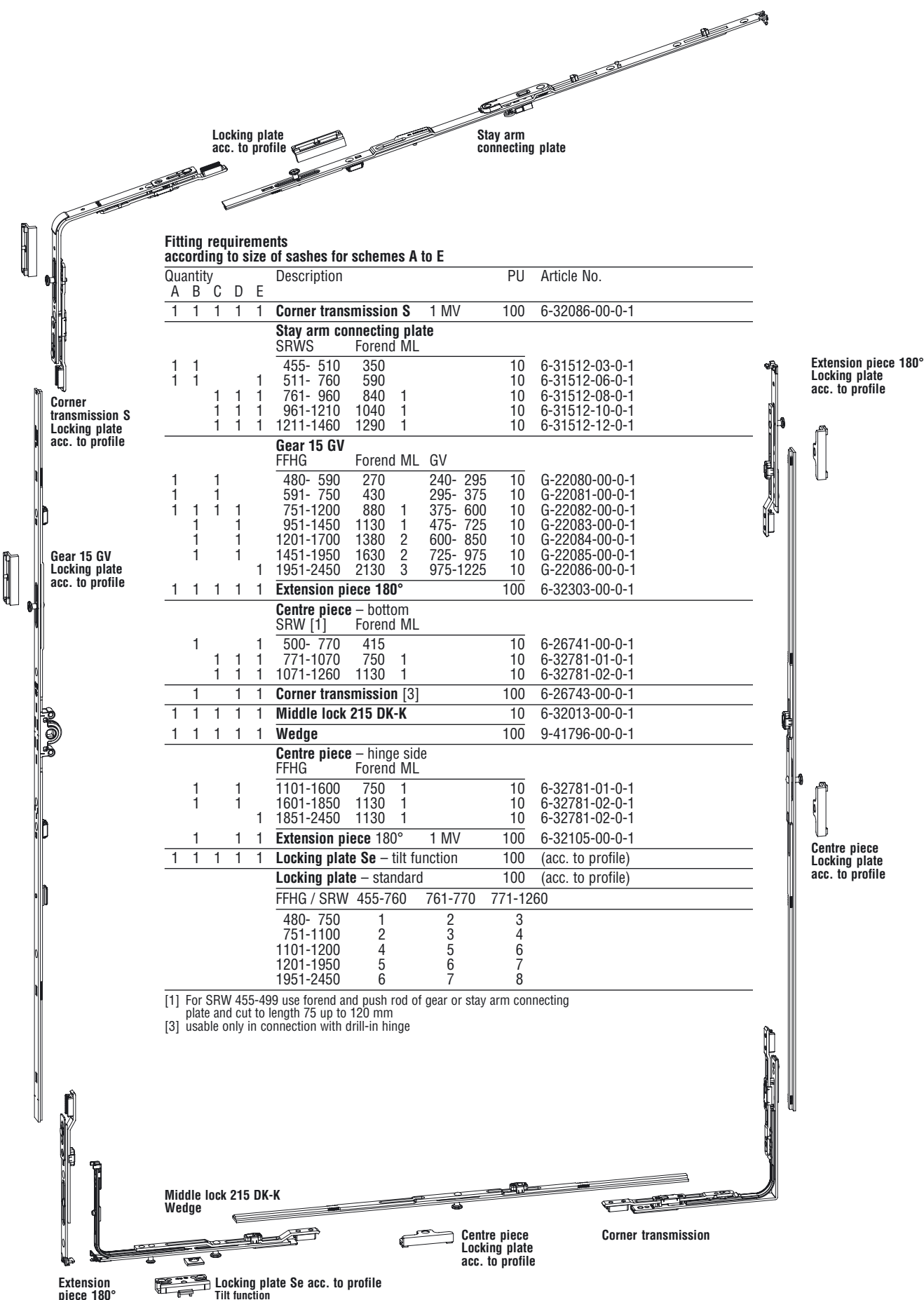
[1] For SRW 455-499 use forend and push rod of gear or stay arm connecting plate and cut to length 75 up to 120 mm
 [2] SRHA 451-470 possible with SLK only
 [3] usable only in connection with drill-in hinge

Variable gear position, groove position 9 and 13 mm



Basic security

2



Fitting requirements according to size of sashes for schemes A to E

| Quantity | | | | | Description | PU | Article No. |
|-------------------------------------|---|---|---|---|---|-----|-------------------|
| A | B | C | D | E | | | |
| 1 | 1 | 1 | 1 | 1 | Corner transmission S 1 MV | 100 | 6-32086-00-0-1 |
| Stay arm connecting plate | | | | | | | |
| SRWS Forend ML | | | | | | | |
| 1 | 1 | | | | 455- 510 350 | 10 | 6-31512-03-0-1 |
| 1 | 1 | | | 1 | 511- 760 590 | 10 | 6-31512-06-0-1 |
| | | 1 | 1 | 1 | 761- 960 840 1 | 10 | 6-31512-08-0-1 |
| | | 1 | 1 | 1 | 961-1210 1040 1 | 10 | 6-31512-10-0-1 |
| | | 1 | 1 | 1 | 1211-1460 1290 1 | 10 | 6-31512-12-0-1 |
| Gear 15 GV | | | | | | | |
| FFHG Forend ML GV | | | | | | | |
| 1 | | 1 | | | 480- 590 270 240- 295 | 10 | G-22080-00-0-1 |
| 1 | | 1 | | | 591- 750 430 295- 375 | 10 | G-22081-00-0-1 |
| 1 | 1 | 1 | 1 | | 751-1200 880 1 375- 600 | 10 | G-22082-00-0-1 |
| | 1 | | 1 | | 951-1450 1130 1 475- 725 | 10 | G-22083-00-0-1 |
| | 1 | 1 | | | 1201-1700 1380 2 600- 850 | 10 | G-22084-00-0-1 |
| | 1 | 1 | | | 1451-1950 1630 2 725- 975 | 10 | G-22085-00-0-1 |
| | | | | 1 | 1951-2450 2130 3 975-1225 | 10 | G-22086-00-0-1 |
| 1 | 1 | 1 | 1 | 1 | Extension piece 180° | 100 | 6-32303-00-0-1 |
| Centre piece – bottom | | | | | | | |
| SRW [1] Forend ML | | | | | | | |
| | 1 | | 1 | | 500- 770 415 | 10 | 6-26741-00-0-1 |
| | | 1 | 1 | 1 | 771-1070 750 1 | 10 | 6-32781-01-0-1 |
| | | 1 | 1 | 1 | 1071-1260 1130 1 | 10 | 6-32781-02-0-1 |
| | 1 | | 1 | 1 | Corner transmission [3] | 100 | 6-26743-00-0-1 |
| 1 | 1 | 1 | 1 | 1 | Middle lock 215 DK-K | 10 | 6-32013-00-0-1 |
| 1 | 1 | 1 | 1 | 1 | Wedge | 100 | 9-41796-00-0-1 |
| Centre piece – hinge side | | | | | | | |
| FFHG Forend ML | | | | | | | |
| | 1 | 1 | | | 1101-1600 750 1 | 10 | 6-32781-01-0-1 |
| | 1 | 1 | | | 1601-1850 1130 1 | 10 | 6-32781-02-0-1 |
| | | | 1 | | 1851-2450 1130 1 | 10 | 6-32781-02-0-1 |
| | 1 | 1 | 1 | | Extension piece 180° 1 MV | 100 | 6-32105-00-0-1 |
| 1 | 1 | 1 | 1 | 1 | Locking plate Se – tilt function | 100 | (acc. to profile) |
| Locking plate – standard | | | | | | | |
| FFHG / SRW 455-760 761-770 771-1260 | | | | | | | |
| 480- 750 1 2 3 | | | | | | | |
| 751-1100 2 3 4 | | | | | | | |
| 1101-1200 4 5 6 | | | | | | | |
| 1201-1950 5 6 7 | | | | | | | |
| 1951-2450 6 7 8 | | | | | | | |

[1] For SRW 455-499 use forend and push rod of gear or stay arm connecting plate and cut to length 75 up to 120 mm
 [3] usable only in connection with drill-in hinge

Variable gear position, groove position 9 and 13 mm



Ahs or WK 2

Fitting requirements according to size of sashes for schemes A to E

| Quantity | | | | | Description | PU | Article No. |
|--|---|-----------|-----------|----------|------------------------------------|-----------|-------------------------------|
| A | B | C | D | E | | | |
| 1 | 1 | 1 | 1 | 1 | Corner transmission 2 ML | 100 | 6-31753-00-0-1 |
| 1 | 1 | 1 | 1 | 1 | Extension piece 180° | 100 | 6-32303-00-0-1 |
| Stay arm connecting plate – Extension 500 [2] | | | | | | | |
| | | SRW | Forend ML | | | | |
| 1 | 1 | | | | 401- 500 350 | 10 | 6-31512-03-0-1 |
| 1 | 1 | | | 1 | 501- 750 590 | 10 | 6-31512-06-0-1 |
| 1 | 1 | 1 | 1 | 1 | 751- 950 840 1 | 10 | 6-31512-08-0-1 |
| 1 | 1 | 1 | 1 | 1 | 951-1200 1040 1 | 10 | 6-31512-10-0-1 |
| 1 | 1 | 1 | 1 | 1 | 1201-1450 1290 1 | 10 | 6-31512-12-0-1 |
| | | | 1 | 1 | 1451-1600 1290 1 | 10 | 6-31512-12-0-1 |
| | 1 | 1 | | | 1451-1600 500 1 | 10 | 6-32142-00-0-1 Extension 500 |
| Gear | | | | | | | |
| | | SRH | Forend ML | | GV | | |
| 1 | | 1 | | | 480- 590 270 240- 295 | 10 | G-22080-00-0-1 G-22100-00-0-1 |
| 1 | | 1 | | | 591- 750 430 295- 375 | 10 | G-22081-00-0-1 G-22101-00-0-1 |
| 1 | | 1 | | | 751-1200 880 1 375- 600 | 10 | G-22082-00-0-1 G-22102-00-0-1 |
| | 1 | | 1 | | 951-1450 1130 1 475- 725 | 10 | G-22083-00-0-1 G-22103-00-0-1 |
| | 1 | | 1 | | 1201-1700 1380 2 600- 850 | 10 | G-22084-00-0-1 G-22104-00-0-1 |
| | 1 | | 1 | | 1451-1950 1630 2 725- 975 | 10 | G-22085-00-0-1 G-22105-00-0-1 |
| | | | 1 | 1 | 1951-2450 2130 3 975-1225 | 10 | G-22086-00-0-1 G-22106-00-0-1 |
| 1 | 1 | 1 | 1 | 1 | Anti-drill escutcheon – Gear 15 GV | 100 | 9-41749-00-0-0 |
| Middle lock DK – bottom | | | | | | | |
| | | SRW | Forend ML | | | | |
| 1 | 1 | | | 1 | 401- 750 215 1 | 10 | 6-32012-00-0-1 |
| | | | 1 | 1 | 751- 950 530 2 | 10 | 6-32076-05-0-1 |
| | | | 1 | 1 | 951-1200 740 2 | 10 | 6-32076-07-0-1 |
| | | | 1 | 1 | 1201-1600 1050 3 | 10 | 6-32076-10-0-1 |
| Middle lock Se – hinge side | | | | | | | |
| | | SRH | Forend ML | | | | |
| 1 | | 1 | | | 480- 750 215 1 | 10 | 6-32010-00-0-1 |
| | 1 | | 1 | | 751-1100 530 2 | 10 | 6-32008-05-0-1 |
| | 1 | | 1 | | 1101-1350 740 2 | 10 | 6-32008-07-0-1 |
| | 1 | | 1 | | 1351-1700 1190 3 | 10 | 6-32008-12-0-1 |
| | | | 1 | 1 | 1701-2100 1450 3 | 10 | 6-32008-15-0-1 |
| | | | 1 | 1 | 2101-2450 1890 4 | 10 | 6-32008-19-0-1 |
| 1 | 1 | 1 | 1 | 1 | Locking plate Se – tilt function | 100 | (acc. to profile) |
| Locking plate Se / standard | | | | | | 100 | (acc. to profile) |
| | | SRH / SRW | 401-750 | 751-1200 | 1201-1450 | 1451-1600 | |
| | | | 480- 750 | 3 / 0 | 4 / 1 | 4 / 2 | 4 / 3 |
| | | | 751-1350 | 4 / 1 | 5 / 2 | 5 / 3 | 5 / 4 |
| | | | 1351-1450 | 4 / 2 | 5 / 3 | 5 / 4 | 5 / 5 |
| | | | 1451-1950 | 4 / 3 | 5 / 4 | 5 / 5 | 5 / 6 |
| | | | 1951-2100 | 4 / 4 | 5 / 5 | 5 / 6 | 5 / 7 |
| | | | 2101-2450 | 4 / 5 | 5 / 6 | 5 / 7 | 5 / 8 |

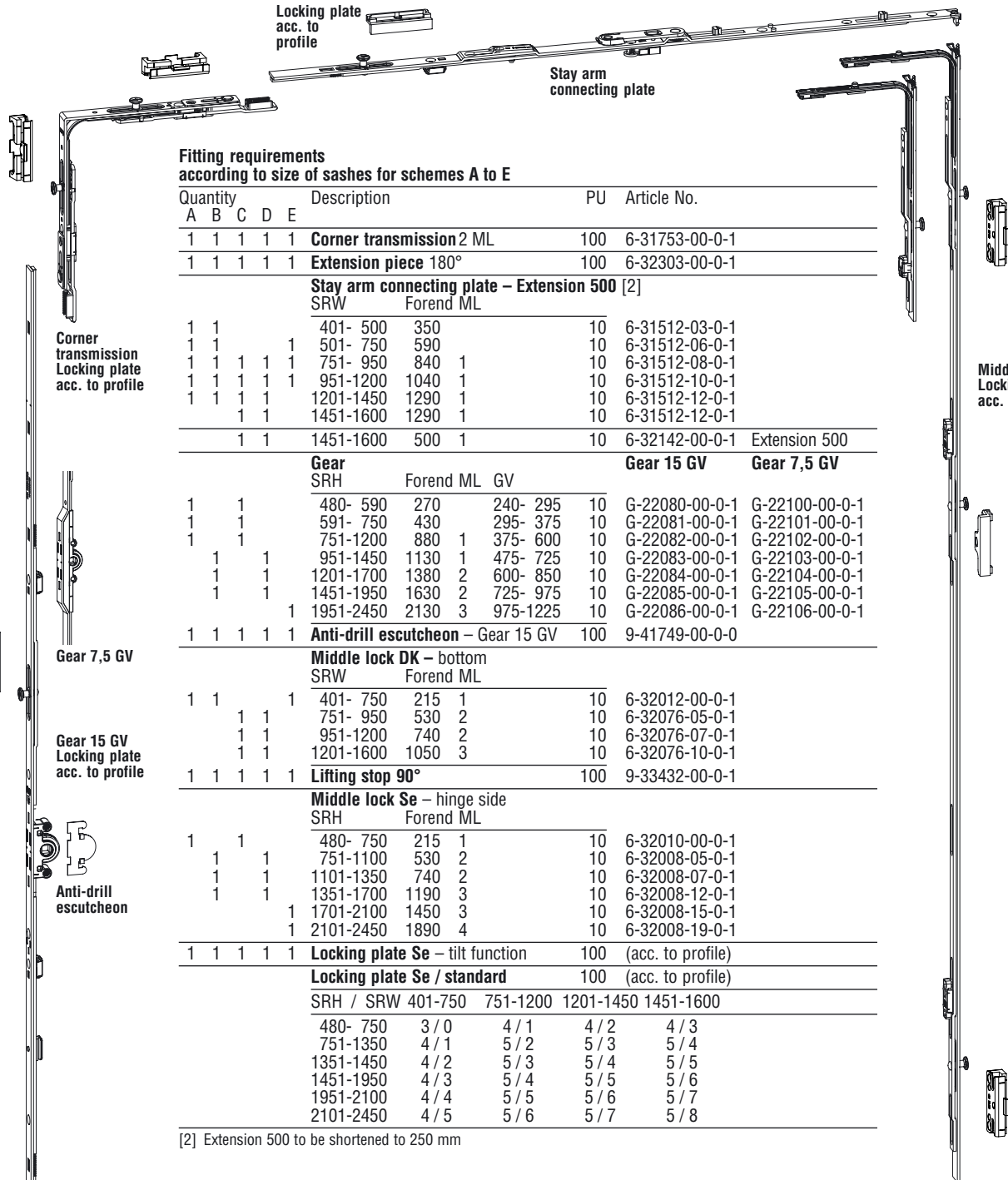
[2] Extension 500 to be shortened to 250 mm

Variable gear position, groove position 9 and 13 mm



Ahs or WK 2

2



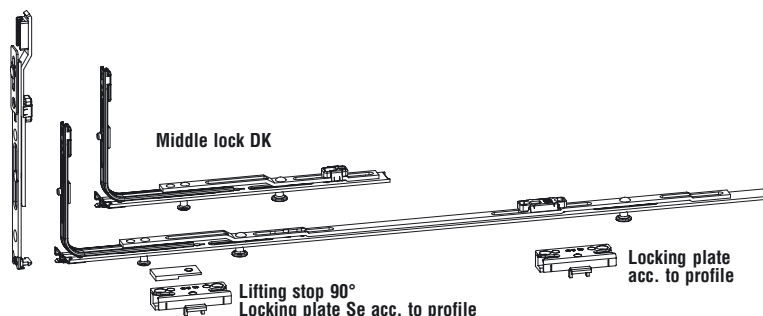
Fitting requirements

according to size of sashes for schemes A to E

| Quantity | | | | | Description | PU | Article No. |
|--|---|-----------|---------------|----------|------------------------------------|-------------------|-------------------------------|
| A | B | C | D | E | | | |
| 1 | 1 | 1 | 1 | 1 | Corner transmission 2 ML | 100 | 6-31753-00-0-1 |
| 1 | 1 | 1 | 1 | 1 | Extension piece 180° | 100 | 6-32303-00-0-1 |
| Stay arm connecting plate – Extension 500 [2] | | | | | | | |
| | | SRW | Forend ML | | | | |
| 1 | 1 | | | | 401- 500 350 | 10 | 6-31512-03-0-1 |
| 1 | 1 | | 1 | | 501- 750 590 | 10 | 6-31512-06-0-1 |
| 1 | 1 | 1 | 1 | 1 | 751- 950 840 1 | 10 | 6-31512-08-0-1 |
| 1 | 1 | 1 | 1 | 1 | 951-1200 1040 1 | 10 | 6-31512-10-0-1 |
| 1 | 1 | 1 | 1 | 1 | 1201-1450 1290 1 | 10 | 6-31512-12-0-1 |
| | | | 1 | 1 | 1451-1600 1290 1 | 10 | 6-31512-12-0-1 |
| | 1 | 1 | | | 1451-1600 500 1 | 10 | 6-32142-00-0-1 Extension 500 |
| Gear | | | | | | | |
| | | SRH | Forend ML | GV | | Gear 15 GV | Gear 7,5 GV |
| 1 | | 1 | | | 480- 590 270 240- 295 | 10 | G-22080-00-0-1 G-22100-00-0-1 |
| 1 | | 1 | | | 591- 750 430 295- 375 | 10 | G-22081-00-0-1 G-22101-00-0-1 |
| 1 | | 1 | | | 751-1200 880 1 375- 600 | 10 | G-22082-00-0-1 G-22102-00-0-1 |
| | 1 | | 1 | | 951-1450 1130 1 475- 725 | 10 | G-22083-00-0-1 G-22103-00-0-1 |
| | 1 | | 1 | | 1201-1700 1380 2 600- 850 | 10 | G-22084-00-0-1 G-22104-00-0-1 |
| | 1 | | 1 | | 1451-1950 1630 2 725- 975 | 10 | G-22085-00-0-1 G-22105-00-0-1 |
| | | | | 1 | 1951-2450 2130 3 975-1225 | 10 | G-22086-00-0-1 G-22106-00-0-1 |
| 1 | 1 | 1 | 1 | 1 | Anti-drill escutcheon – Gear 15 GV | 100 | 9-41749-00-0-0 |
| Middle lock DK – bottom | | | | | | | |
| | | SRW | Forend ML | | | | |
| 1 | 1 | | 1 | | 401- 750 215 1 | 10 | 6-32012-00-0-1 |
| | | | 1 | 1 | 751- 950 530 2 | 10 | 6-32076-05-0-1 |
| | | | 1 | 1 | 951-1200 740 2 | 10 | 6-32076-07-0-1 |
| | | | 1 | 1 | 1201-1600 1050 3 | 10 | 6-32076-10-0-1 |
| 1 | 1 | 1 | 1 | 1 | Lifting stop 90° | 100 | 9-33432-00-0-1 |
| Middle lock Se – hinge side | | | | | | | |
| | | SRH | Forend ML | | | | |
| 1 | | 1 | | | 480- 750 215 1 | 10 | 6-32010-00-0-1 |
| | 1 | | 1 | | 751-1100 530 2 | 10 | 6-32008-05-0-1 |
| | 1 | | 1 | | 1101-1350 740 2 | 10 | 6-32008-07-0-1 |
| | 1 | | 1 | | 1351-1700 1190 3 | 10 | 6-32008-12-0-1 |
| | | | 1 | | 1701-2100 1450 3 | 10 | 6-32008-15-0-1 |
| | | | 1 | | 2101-2450 1890 4 | 10 | 6-32008-19-0-1 |
| 1 | 1 | 1 | 1 | 1 | Locking plate Se – tilt function | 100 | (acc. to profile) |
| Locking plate Se / standard | | | | | | 100 | (acc. to profile) |
| | | SRH / SRW | 401-750 | 751-1200 | 1201-1450 | 1451-1600 | |
| | | | 480- 750 3/0 | 4/1 | 4/2 | 4/3 | |
| | | | 751-1350 4/1 | 5/2 | 5/3 | 5/4 | |
| | | | 1351-1450 4/2 | 5/3 | 5/4 | 5/5 | |
| | | | 1451-1950 4/3 | 5/4 | 5/5 | 5/6 | |
| | | | 1951-2100 4/4 | 5/5 | 5/6 | 5/7 | |
| | | | 2101-2450 4/5 | 5/6 | 5/7 | 5/8 | |

[2] Extension 500 to be shortened to 250 mm

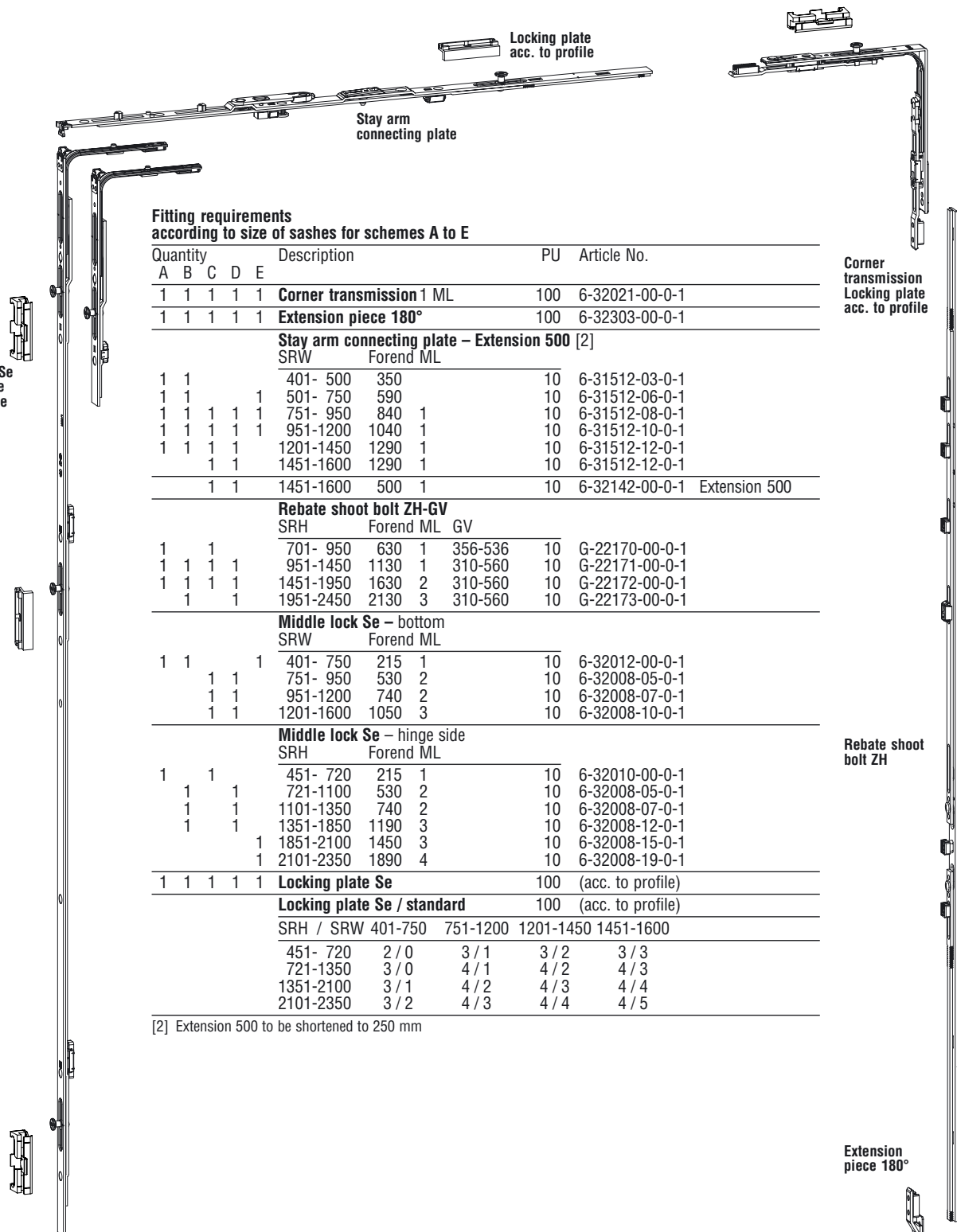
Extension piece 180°



Variable gear position, groove position 9 and 13 mm



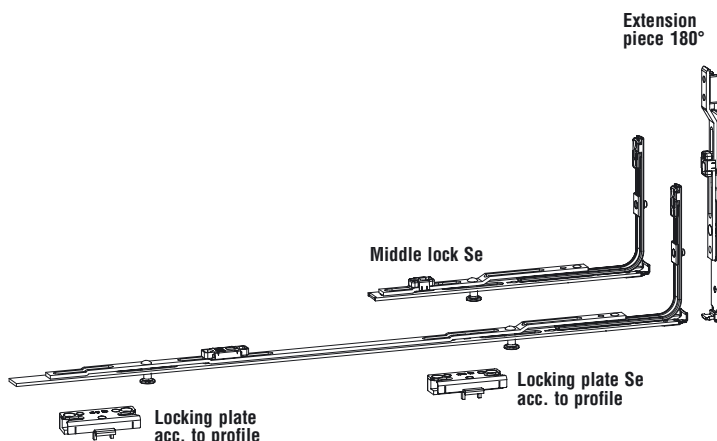
Ahs or WK 2



Fitting requirements according to size of sashes for schemes A to E

| Quantity | | Description | | PU | Article No. | | |
|--|---|-------------|-----------|----------|--|-----------|-------|
| A | B | C | D | E | | | |
| 1 | 1 | 1 | 1 | 1 | Corner transmission 1 ML 100 6-32021-00-0-1 | | |
| 1 | 1 | 1 | 1 | 1 | Extension piece 180° 100 6-32303-00-0-1 | | |
| Stay arm connecting plate – Extension 500 [2] | | | | | | | |
| | | SRW | Forend ML | | | | |
| 1 | 1 | | 401- 500 | 350 | 10 6-31512-03-0-1 | | |
| 1 | 1 | | 501- 750 | 590 | 10 6-31512-06-0-1 | | |
| 1 | 1 | 1 | 751- 950 | 840 1 | 10 6-31512-08-0-1 | | |
| 1 | 1 | 1 | 951-1200 | 1040 1 | 10 6-31512-10-0-1 | | |
| 1 | 1 | 1 | 1201-1450 | 1290 1 | 10 6-31512-12-0-1 | | |
| | | 1 | 1451-1600 | 1290 1 | 10 6-31512-12-0-1 | | |
| | 1 | 1 | 1451-1600 | 500 1 | 10 6-32142-00-0-1 Extension 500 | | |
| Rebate shoot bolt ZH-GV | | | | | | | |
| | | SRH | Forend ML | | GV | | |
| 1 | | 1 | 701- 950 | 630 1 | 356-536 10 G-22170-00-0-1 | | |
| 1 | 1 | 1 | 951-1450 | 1130 1 | 310-560 10 G-22171-00-0-1 | | |
| 1 | 1 | 1 | 1451-1950 | 1630 2 | 310-560 10 G-22172-00-0-1 | | |
| | 1 | 1 | 1951-2450 | 2130 3 | 310-560 10 G-22173-00-0-1 | | |
| Middle lock Se – bottom | | | | | | | |
| | | SRW | Forend ML | | | | |
| 1 | 1 | | 401- 750 | 215 1 | 10 6-32012-00-0-1 | | |
| | | 1 | 751- 950 | 530 2 | 10 6-32008-05-0-1 | | |
| | | 1 | 951-1200 | 740 2 | 10 6-32008-07-0-1 | | |
| | | 1 | 1201-1600 | 1050 3 | 10 6-32008-10-0-1 | | |
| Middle lock Se – hinge side | | | | | | | |
| | | SRH | Forend ML | | | | |
| 1 | | 1 | 451- 720 | 215 1 | 10 6-32010-00-0-1 | | |
| | 1 | 1 | 721-1100 | 530 2 | 10 6-32008-05-0-1 | | |
| | 1 | 1 | 1101-1350 | 740 2 | 10 6-32008-07-0-1 | | |
| | 1 | 1 | 1351-1850 | 1190 3 | 10 6-32008-12-0-1 | | |
| | | 1 | 1851-2100 | 1450 3 | 10 6-32008-15-0-1 | | |
| | | 1 | 2101-2350 | 1890 4 | 10 6-32008-19-0-1 | | |
| 1 | 1 | 1 | 1 | 1 | Locking plate Se 100 (acc. to profile) | | |
| Locking plate Se / standard | | | | | | | |
| | | SRH / SRW | 401-750 | 751-1200 | 1201-1450 | 1451-1600 | |
| | | | 451- 720 | 2 / 0 | 3 / 1 | 3 / 2 | 3 / 3 |
| | | | 721-1350 | 3 / 0 | 4 / 1 | 4 / 2 | 4 / 3 |
| | | | 1351-2100 | 3 / 1 | 4 / 2 | 4 / 3 | 4 / 4 |
| | | | 2101-2350 | 3 / 2 | 4 / 3 | 4 / 4 | 4 / 5 |

[2] Extension 500 to be shortened to 250 mm



Variable gear position, groove position 9 and 13 mm



Ahs or WK 2

2

Fitting requirements according to size of sashes for schemes A to E

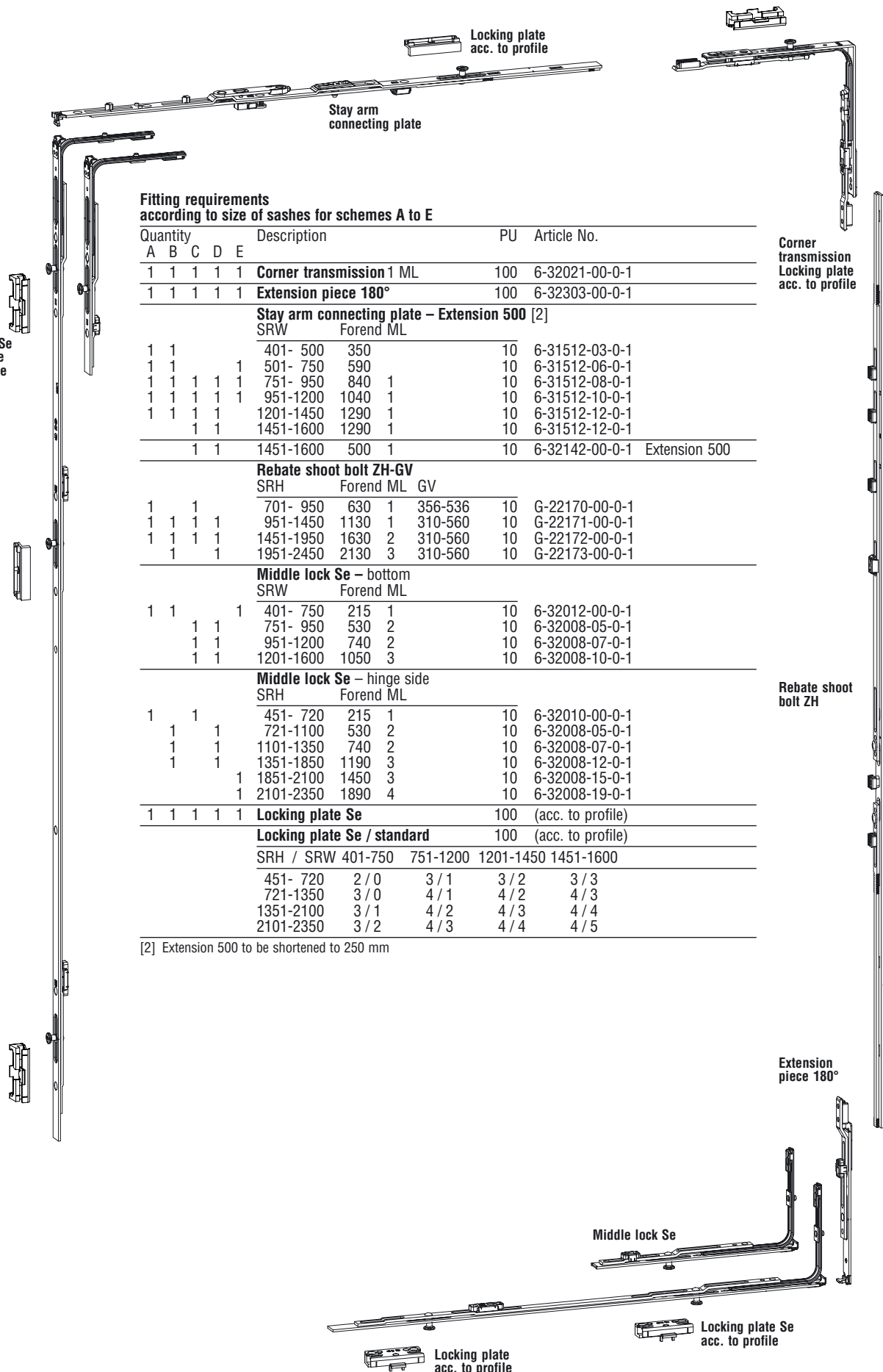
| Quantity | | | | | Description | PU | Article No. |
|--|---|-----------|-----------------|----------|---|-----------|-------------------------------|
| A | B | C | D | E | | | |
| 1 | 1 | 1 | 1 | 1 | Corner transmission 1 ML | 100 | 6-32021-00-0-1 |
| 1 | 1 | 1 | 1 | 1 | Extension piece 180° | 100 | 6-32303-00-0-1 |
| Stay arm connecting plate – Extension 500 [2] | | | | | | | |
| | | SRW | Forend ML | | | | |
| 1 | 1 | | | | 401- 500 350 | 10 | 6-31512-03-0-1 |
| 1 | 1 | | 1 | | 501- 750 590 | 10 | 6-31512-06-0-1 |
| 1 | 1 | 1 | 1 | 1 | 751- 950 840 1 | 10 | 6-31512-08-0-1 |
| 1 | 1 | 1 | 1 | 1 | 951-1200 1040 1 | 10 | 6-31512-10-0-1 |
| 1 | 1 | 1 | 1 | 1 | 1201-1450 1290 1 | 10 | 6-31512-12-0-1 |
| | | | 1 | 1 | 1451-1600 1290 1 | 10 | 6-31512-12-0-1 |
| | 1 | 1 | | | 1451-1600 500 1 | 10 | 6-32142-00-0-1 Extension 500 |
| | | Gear | | | | | |
| | | SRH | Forend ML | GV | | | |
| 1 | | 1 | | | 480- 590 270 240- 295 | 10 | G-22080-00-0-1 G-22100-00-0-1 |
| 1 | | 1 | | | 591- 750 430 295- 375 | 10 | G-22081-00-0-1 G-22101-00-0-1 |
| 1 | | 1 | | | 751-1200 880 1 375- 600 | 10 | G-22082-00-0-1 G-22102-00-0-1 |
| | 1 | | 1 | | 951-1450 1130 1 475- 725 | 10 | G-22083-00-0-1 G-22103-00-0-1 |
| | 1 | | 1 | | 1201-1700 1380 2 600- 850 | 10 | G-22084-00-0-1 G-22104-00-0-1 |
| | 1 | | 1 | | 1451-1950 1630 2 725- 975 | 10 | G-22085-00-0-1 G-22105-00-0-1 |
| | | | | 1 | 1951-2450 2130 3 975-1225 | 10 | G-22086-00-0-1 G-22106-00-0-1 |
| 1 | 1 | 1 | 1 | 1 | Anti-drill escutcheon – Gear 15 GV | 100 | 9-41749-00-0-0 |
| Middle lock DK – bottom | | | | | | | |
| | | SRW | Forend ML | | | | |
| 1 | 1 | | 1 | | 401- 750 215 1 | 10 | 6-32012-00-0-1 |
| | | | 1 | 1 | 751- 950 530 2 | 10 | 6-32076-05-0-1 |
| | | | 1 | 1 | 951-1200 740 2 | 10 | 6-32076-07-0-1 |
| | | | 1 | 1 | 1201-1600 1050 3 | 10 | 6-32076-10-0-1 |
| Middle lock Se – hinge side | | | | | | | |
| | | SRH | Forend ML | | | | |
| 1 | | 1 | | | 480- 750 215 1 | 10 | 6-32010-00-0-1 |
| | 1 | | 1 | | 751-1100 530 2 | 10 | 6-32008-05-0-1 |
| | 1 | | 1 | | 1101-1350 740 2 | 10 | 6-32008-07-0-1 |
| | 1 | | 1 | | 1351-1700 1190 3 | 10 | 6-32008-12-0-1 |
| | | | | 1 | 1701-2100 1450 3 | 10 | 6-32008-15-0-1 |
| | | | | 1 | 2101-2450 1890 4 | 10 | 6-32008-19-0-1 |
| 1 | 1 | 1 | 1 | 1 | Locking plate Se – tilt function | 100 | (acc. to profile) |
| Locking plate Se / standard | | | | | | | |
| | | SRH / SRW | 401-750 | 751-1200 | 1201-1450 | 1451-1600 | |
| | | | 480- 750 2 / 0 | 3 / 1 | 3 / 2 | 3 / 3 | |
| | | | 751-1350 3 / 0 | 4 / 1 | 4 / 2 | 4 / 3 | |
| | | | 1351-2100 3 / 1 | 4 / 2 | 4 / 3 | 4 / 4 | |
| | | | 2101-2450 3 / 2 | 4 / 3 | 4 / 4 | 4 / 5 | |

[2] Extension 500 to be shortened to 250 mm

Variable gear position, groove position 9 and 13 mm



Ahs or WK 2



Fitting requirements according to size of sashes for schemes A to E

| Quantity | | Description | | | | PU | Article No. |
|--|---|------------------------------------|-----------|----------|---------------------------------|-----------|------------------------------|
| A | B | C | D | E | | | |
| 1 | 1 | 1 | 1 | 1 | Corner transmission 1 ML | 100 | 6-32021-00-0-1 |
| 1 | 1 | 1 | 1 | 1 | Extension piece 180° | 100 | 6-32303-00-0-1 |
| Stay arm connecting plate – Extension 500 [2] | | | | | | | |
| | | SRW | Forend ML | | | | |
| 1 | 1 | | 401- 500 | 350 | | 10 | 6-31512-03-0-1 |
| 1 | 1 | | 501- 750 | 590 | | 10 | 6-31512-06-0-1 |
| 1 | 1 | 1 | 751- 950 | 840 | 1 | 10 | 6-31512-08-0-1 |
| 1 | 1 | 1 | 951-1200 | 1040 | 1 | 10 | 6-31512-10-0-1 |
| 1 | 1 | 1 | 1201-1450 | 1290 | 1 | 10 | 6-31512-12-0-1 |
| | | 1 | 1451-1600 | 1290 | 1 | 10 | 6-31512-12-0-1 |
| | 1 | 1 | 1451-1600 | 500 | 1 | 10 | 6-32142-00-0-1 Extension 500 |
| Rebate shoot bolt ZH-GV | | | | | | | |
| | | SRH | Forend | ML | GV | | |
| 1 | | 1 | 701- 950 | 630 | 1 | 356-536 | 10 G-22170-00-0-1 |
| 1 | 1 | 1 | 951-1450 | 1130 | 1 | 310-560 | 10 G-22171-00-0-1 |
| 1 | 1 | 1 | 1451-1950 | 1630 | 2 | 310-560 | 10 G-22172-00-0-1 |
| | 1 | 1 | 1951-2450 | 2130 | 3 | 310-560 | 10 G-22173-00-0-1 |
| Middle lock Se – bottom | | | | | | | |
| | | SRW | Forend ML | | | | |
| 1 | 1 | | 401- 750 | 215 | 1 | | 10 6-32012-00-0-1 |
| | | 1 | 751- 950 | 530 | 2 | | 10 6-32008-05-0-1 |
| | | 1 | 951-1200 | 740 | 2 | | 10 6-32008-07-0-1 |
| | | 1 | 1201-1600 | 1050 | 3 | | 10 6-32008-10-0-1 |
| Middle lock Se – hinge side | | | | | | | |
| | | SRH | Forend ML | | | | |
| 1 | | 1 | 451- 720 | 215 | 1 | | 10 6-32010-00-0-1 |
| | 1 | 1 | 721-1100 | 530 | 2 | | 10 6-32008-05-0-1 |
| | 1 | 1 | 1101-1350 | 740 | 2 | | 10 6-32008-07-0-1 |
| | | 1 | 1351-1850 | 1190 | 3 | | 10 6-32008-12-0-1 |
| | | 1 | 1851-2100 | 1450 | 3 | | 10 6-32008-15-0-1 |
| | | 1 | 2101-2350 | 1890 | 4 | | 10 6-32008-19-0-1 |
| 1 | 1 | 1 | 1 | 1 | 1 | 100 | (acc. to profile) |
| Locking plate Se | | | | | | | |
| | | Locking plate Se / standard | | | | | |
| | | SRH / SRW | 401-750 | 751-1200 | 1201-1450 | 1451-1600 | |
| | | | 451- 720 | 2 / 0 | 3 / 1 | 3 / 2 | 3 / 3 |
| | | | 721-1350 | 3 / 0 | 4 / 1 | 4 / 2 | 4 / 3 |
| | | | 1351-2100 | 3 / 1 | 4 / 2 | 4 / 3 | 4 / 4 |
| | | | 2101-2350 | 3 / 2 | 4 / 3 | 4 / 4 | 4 / 5 |

[2] Extension 500 to be shortened to 250 mm

Variable gear position, groove position 9 and 13 mm



Ahs or WK 2

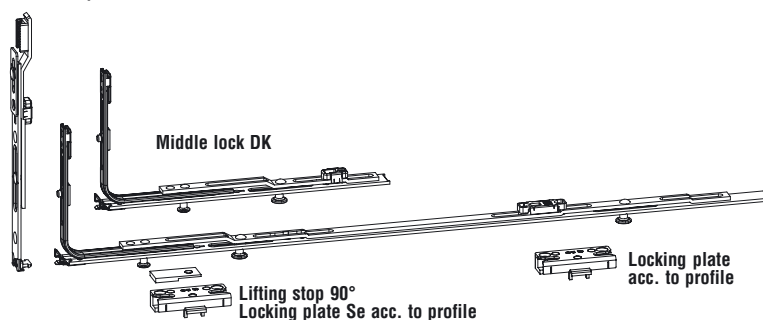
2

Fitting requirements according to size of sashes for schemes A to E

| Quantity | | | | | Description | PU | Article No. |
|--|---|-----------|-----------|----------|---|-------------------|-------------------------------|
| A | B | C | D | E | | | |
| 1 | 1 | 1 | 1 | 1 | Corner transmission 1 ML | 100 | 6-32021-00-0-1 |
| 1 | 1 | 1 | 1 | 1 | Extension piece 180° | 100 | 6-32303-00-0-1 |
| Stay arm connecting plate – Extension 500 [2] | | | | | | | |
| | | SRW | Forend ML | | | | |
| 1 | 1 | | | | 401- 500 350 | 10 | 6-31512-03-0-1 |
| 1 | 1 | | 1 | | 501- 750 590 | 10 | 6-31512-06-0-1 |
| 1 | 1 | 1 | 1 | 1 | 751- 950 840 1 | 10 | 6-31512-08-0-1 |
| 1 | 1 | 1 | 1 | 1 | 951-1200 1040 1 | 10 | 6-31512-10-0-1 |
| 1 | 1 | 1 | 1 | 1 | 1201-1450 1290 1 | 10 | 6-31512-12-0-1 |
| | | | 1 | 1 | 1451-1600 1290 1 | 10 | 6-31512-12-0-1 |
| | 1 | 1 | | | 1451-1600 500 1 | 10 | 6-32142-00-0-1 Extension 500 |
| Gear | | | | | | | |
| | | SRH | Forend ML | GV | | Gear 15 GV | Gear 7,5 GV |
| 1 | | 1 | | | 480- 590 270 | 10 | G-22080-00-0-1 G-22100-00-0-1 |
| 1 | | 1 | | | 591- 750 430 | 10 | G-22081-00-0-1 G-22101-00-0-1 |
| 1 | | 1 | | | 751-1200 880 1 | 10 | G-22082-00-0-1 G-22102-00-0-1 |
| | 1 | | 1 | | 951-1450 1130 1 | 10 | G-22083-00-0-1 G-22103-00-0-1 |
| | 1 | | 1 | | 1201-1700 1380 2 | 10 | G-22084-00-0-1 G-22104-00-0-1 |
| | 1 | | 1 | | 1451-1950 1630 2 | 10 | G-22085-00-0-1 G-22105-00-0-1 |
| | | | 1 | 1 | 1951-2450 2130 3 | 10 | G-22086-00-0-1 G-22106-00-0-1 |
| 1 | 1 | 1 | 1 | 1 | Anti-drill escutcheon – Gear 15 GV | 100 | 9-41749-00-0-0 |
| Middle lock DK – bottom | | | | | | | |
| | | SRW | Forend ML | | | | |
| 1 | 1 | | | 1 | 401- 750 215 1 | 10 | 6-32012-00-0-1 |
| | | | 1 | 1 | 751- 950 530 2 | 10 | 6-32076-05-0-1 |
| | | | 1 | 1 | 951-1200 740 2 | 10 | 6-32076-07-0-1 |
| | | | 1 | 1 | 1201-1600 1050 3 | 10 | 6-32076-10-0-1 |
| 1 | 1 | 1 | 1 | 1 | Lifting stop 90° | 100 | 9-33432-00-0-1 |
| Middle lock Se – hinge side | | | | | | | |
| | | SRH | Forend ML | | | | |
| 1 | | 1 | | | 480- 750 215 1 | 10 | 6-32010-00-0-1 |
| | 1 | | 1 | | 751-1100 530 2 | 10 | 6-32008-05-0-1 |
| | 1 | | 1 | | 1101-1350 740 2 | 10 | 6-32008-07-0-1 |
| | 1 | | 1 | | 1351-1700 1190 3 | 10 | 6-32008-12-0-1 |
| | | | 1 | 1 | 1701-2100 1450 3 | 10 | 6-32008-15-0-1 |
| | | | 1 | 1 | 2101-2450 1890 4 | 10 | 6-32008-19-0-1 |
| 1 | 1 | 1 | 1 | 1 | Locking plate Se – tilt function | 100 | (acc. to profile) |
| Locking plate Se / standard | | | | | | | |
| | | SRH / SRW | 401-750 | 751-1200 | 1201-1450 | 1451-1600 | |
| | | | 480- 750 | 2 / 0 | 3 / 1 | 3 / 2 | 3 / 3 |
| | | | 751-1350 | 3 / 0 | 4 / 1 | 4 / 2 | 4 / 3 |
| | | | 1351-2100 | 3 / 1 | 4 / 2 | 4 / 3 | 4 / 4 |
| | | | 2101-2450 | 3 / 2 | 4 / 3 | 4 / 4 | 4 / 5 |

[2] Extension 500 to be shortened to 250 mm

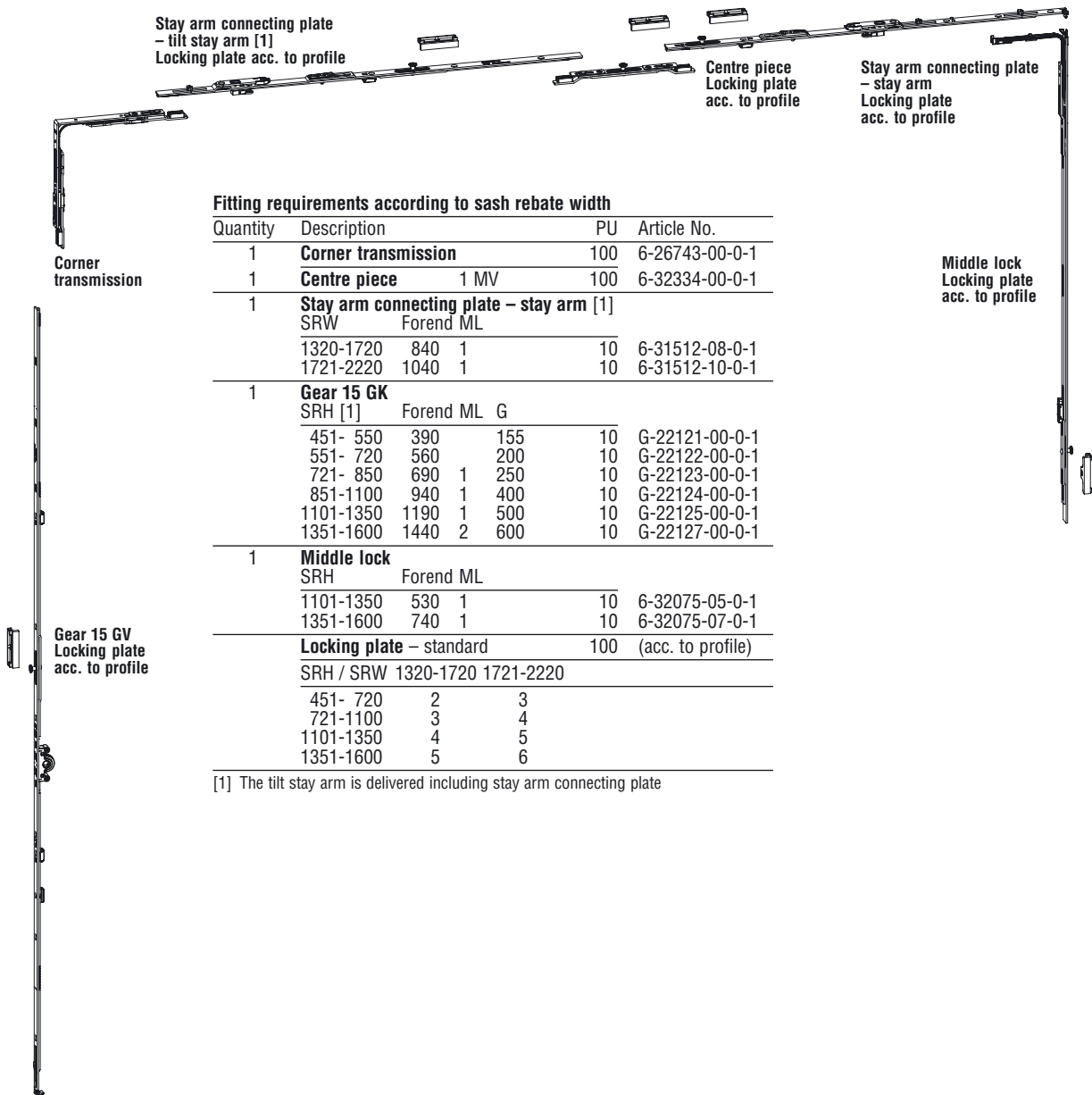
Extension piece 180°



Fixed gear position, groove position 9 and 13 mm



Basic security



Fitting requirements according to sash rebate width

| Quantity | Description | PU | Article No. |
|----------|---|-----|-------------------|
| 1 | Corner transmission | 100 | 6-26743-00-0-1 |
| 1 | Centre piece 1 MV | 100 | 6-32334-00-0-1 |
| 1 | Stay arm connecting plate – stay arm [1] | | |
| | SRW Forend ML | | |
| | 1320-1720 840 1 | 10 | 6-31512-08-0-1 |
| | 1721-2220 1040 1 | 10 | 6-31512-10-0-1 |
| 1 | Gear 15 GK | | |
| | SRH [1] Forend ML G | | |
| | 451- 550 390 155 | 10 | G-22121-00-0-1 |
| | 551- 720 560 200 | 10 | G-22122-00-0-1 |
| | 721- 850 690 1 250 | 10 | G-22123-00-0-1 |
| | 851-1100 940 1 400 | 10 | G-22124-00-0-1 |
| | 1101-1350 1190 1 500 | 10 | G-22125-00-0-1 |
| | 1351-1600 1440 2 600 | 10 | G-22127-00-0-1 |
| 1 | Middle lock | | |
| | SRH Forend ML | | |
| | 1101-1350 530 1 | 10 | 6-32075-05-0-1 |
| | 1351-1600 740 1 | 10 | 6-32075-07-0-1 |
| | Locking plate – standard | 100 | (acc. to profile) |
| | SRH / SRW 1320-1720 1721-2220 | | |
| | 451- 720 2 3 | | |
| | 721-1100 3 4 | | |
| | 1101-1350 4 5 | | |
| | 1351-1600 5 6 | | |

[1] The tilt stay arm is delivered including stay arm connecting plate

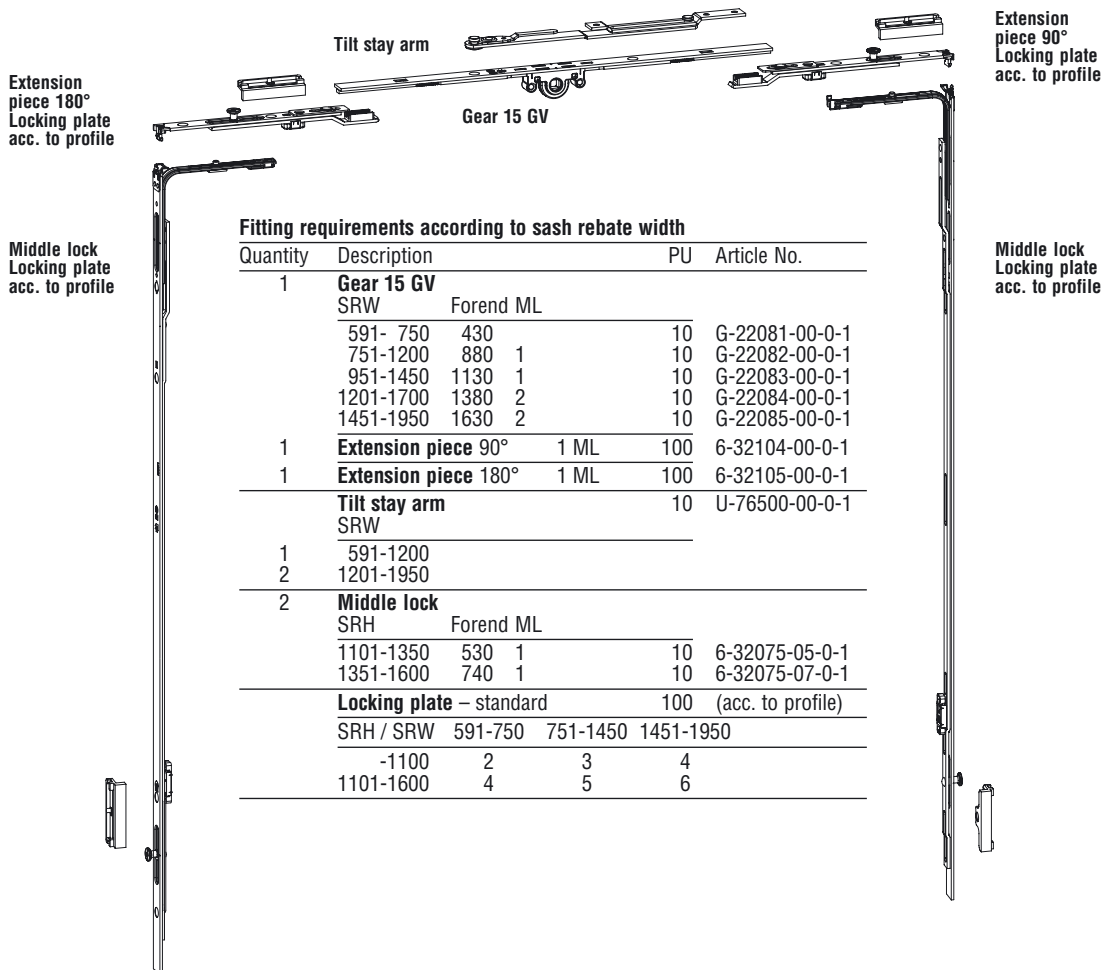
Locking mechanism UNI-JET – Tilt sash gear – 1 sash



Variable gear position, groove position 9 and 13 mm



Basic security



Fitting requirements according to sash rebate width

| Quantity | Description | PU | Article No. |
|----------|--------------------------------------|-----|-------------------|
| 1 | Gear 15 GV | | |
| | SRW Forend ML | | |
| | 591- 750 430 | 10 | G-22081-00-0-1 |
| | 751-1200 880 1 | 10 | G-22082-00-0-1 |
| | 951-1450 1130 1 | 10 | G-22083-00-0-1 |
| | 1201-1700 1380 2 | 10 | G-22084-00-0-1 |
| | 1451-1950 1630 2 | 10 | G-22085-00-0-1 |
| 1 | Extension piece 90° 1 ML | 100 | 6-32104-00-0-1 |
| 1 | Extension piece 180° 1 ML | 100 | 6-32105-00-0-1 |
| | Tilt stay arm | 10 | U-76500-00-0-1 |
| | SRW | | |
| 1 | 591-1200 | | |
| 2 | 1201-1950 | | |
| 2 | Middle lock | | |
| | SRH Forend ML | | |
| | 1101-1350 530 1 | 10 | 6-32075-05-0-1 |
| | 1351-1600 740 1 | 10 | 6-32075-07-0-1 |
| | Locking plate – standard | 100 | (acc. to profile) |
| | SRH / SRW 591-750 751-1450 1451-1950 | | |
| | -1100 2 3 4 | | |
| | 1101-1600 4 5 6 | | |

2

Tilt-turn, side hung and tilt sash fittings, groove 9 and 13 mm

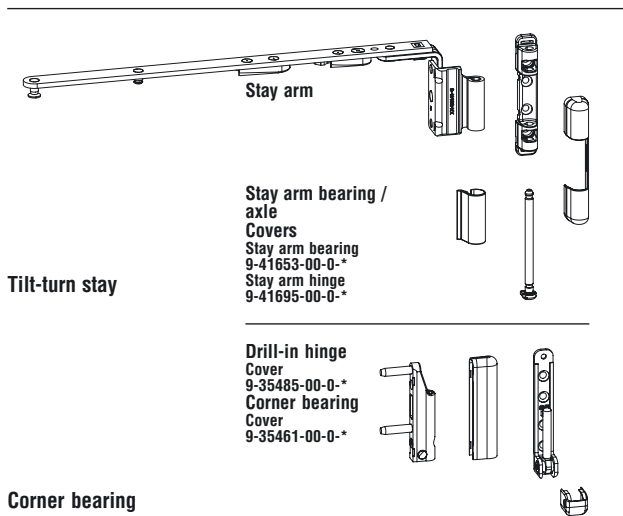
Tilt-turn sash – Basic security, Ahs and WK 2

Side hung and inactive sash – Ahs and WK 2

Fitting requirements for schemes A to E

| Qty. | Description | PU | Article No. Groove 9 | Groove 13 |
|------|--|-----|----------------------------------|----------------------------------|
| 1 | Stay arm [2][3] SRW | | | |
| | 280- 500 | 10 | 6-31672-**-*-1 | 6-31690-**-*-1 |
| | 501- 750 | 10 | 6-31673-**-*-1 | 6-31691-**-*-1 |
| | 751-1200 | 10 | 6-31674-**-*-1 | 6-31692-**-*-1 |
| | 1201-1600 | 10 | 6-31675-**-*-1 | 6-31693-**-*-1 |
| 1 | Stay arm bearing with drilling pin | 100 | 6-31636-03-0-1 6-31636-06-0-1 | 6-31636-03-0-1 6-31636-06-0-1 |
| 1 | Drill-in hinge | 100 | 6-28744-00-0-1 | 6-28744-00-0-1 |
| 1 | Corner bearing [1] with drilling pin | 100 | 6-28743-03-0-* 6-28742-22-0-* | 6-28743-03-0-* 6-28742-22-0-* |
| 1 | Bag of covers [1] | 20 | K-16790-00-0-* | K-16790-00-0-* |

[1] * Colour: 5 = brown, 7 = white [2] ** Size 18, 20 or 22 according to sash overlap
[3] * L = DIN left, R = DIN right

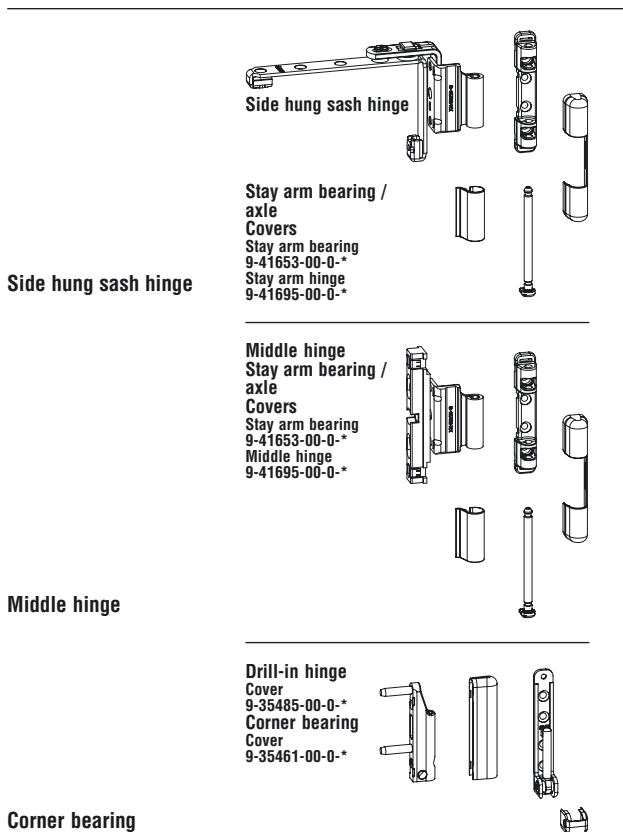


Side hung and inactive sash – Basic security

Fitting requirements for schemes A to E

| Qty. | Description | PU | Article No. Groove 9 | Groove 13 |
|------|--|-----|----------------------------------|----------------------------------|
| 1 | Side hung sash hinge [2] | 100 | 6-31852-**-0-1 | 6-31853-**-0-1 |
| 1 | Stay arm bearing with drilling pin | 100 | 6-31636-03-0-1 6-31636-06-0-1 | 6-31636-03-0-1 6-31636-06-0-1 |
| 1 | Middle hinge [2] from SRH 1101 mm | 100 | 6-31854-**-0-1 | 6-31855-**-0-1 |
| 1 | Stay arm bearing with drilling pin | 100 | 6-31636-03-0-1 6-31636-06-0-1 | 6-31636-03-0-1 6-31636-06-0-1 |
| 1 | Bag of covers [1] | 20 | K-16791-00-0-* | K-16791-00-0-* |
| 1 | Drill-in hinge | 100 | 6-28744-00-0-1 | 6-28744-00-0-1 |
| 1 | Corner bearing [1] with drilling pin | 100 | 6-28743-03-0-* 6-28742-22-0-* | 6-28743-03-0-* 6-28742-22-0-* |
| 1 | Bag of covers [1] | 20 | K-16790-00-0-* | K-16790-00-0-* |

[1] * Colour: 5 = brown, 7 = white [2] ** Size 18, 20 or 22 according to sash overlap

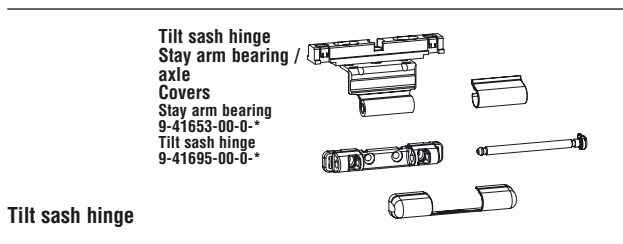


Tilt sash gears – Basic security

Fitting requirements

| Qty. | Description | PU | Article No. Groove 9 | Groove 13 |
|------|--|-----|----------------------------------|----------------------------------|
| | Tilt sash hinge [2] | 100 | 6-31847-**-0-1 | 6-31848-**-0-1 |
| | Stay arm bearing with drilling pin | 100 | 6-31636-03-0-1 6-31636-06-0-1 | 6-31636-03-0-1 6-31636-06-0-1 |
| | Bag of covers [1] SRW | 20 | K-16791-00-0-* | K-16791-00-0-* |
| 2 | 591-1200 | | | |
| 3 | 1201-1950 | | | |

[1] * Colour: 5 = brown, 7 = white [2] ** Size 18, 20 or 22 according to sash overlap



Arch head, oblique angle head and tilt sash fittings, groove 9 and 13 mm

Arch head fittings – Basic security

Fitting requirements für Schema A up to C

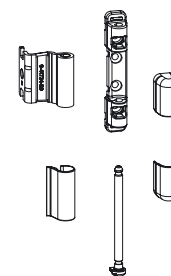
| Qty. | Description | PU | Article No. Groove 9 | Groove 13 |
|------|---------------------------|-----|-------------------------|----------------|
| 1 | Stay arm hinge [2] | 100 | 6-31931-**-0-1 | 6-31932-**-0-1 |
| 1 | Stay arm bearing | 100 | 6-31636-03-0-1 | 6-31636-03-0-1 |
| | with drilling pin | 100 | 6-31636-06-0-1 | 6-31636-06-0-1 |
| 1 | Drill-in hinge | 100 | 6-28744-00-0-1 | 6-28744-00-0-1 |
| 1 | Corner bearing [1] | 100 | 6-28743-03-0-* | 6-28743-03-0-* |
| | with drilling pin | 100 | 6-28742-22-0-* | 6-28742-22-0-* |
| 1 | Bag of covers [1] | 20 | K-16790-00-0-* | K-16790-00-0-* |

[1] * Colour: 5 = brown, 7 = white

[2] ** Size 18, 20 or 22 according to sash overlap

Arch head stay

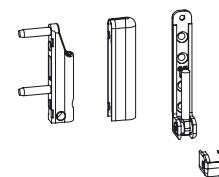
Stay arm hinge



Stay arm bearing / axle
Covers
Stay arm bearing
9-41653-00-0-*
Stay arm hinge
9-41695-00-0-*

Drill-in hinge

Cover
9-35485-00-0-*
Corner bearing
Cover
9-35461-00-0-*



Corner bearing

Oblique angle head fittings – Basic security

Fitting requirements for schemes A to E

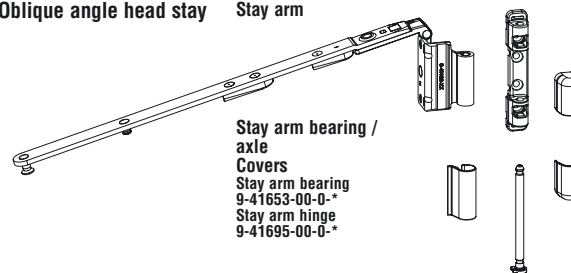
| Qty. | Description | PU | Article No. Groove 9 | Groove 13 |
|------|----------------------------|-----|-------------------------|----------------|
| 1 | Stay arm [2] SRW | | | |
| | 410- 510 | 10 | 6-31701-**-0-1 | 6-31717-**-0-1 |
| | 511- 760 | 10 | 6-31702-**-0-1 | 6-31718-**-0-1 |
| | 761-1210 | 10 | 6-31703-**-0-1 | 6-31719-**-0-1 |
| | 1211-1460 | 10 | 6-31704-**-0-1 | 6-31720-**-0-1 |
| 1 | Stay arm bearing | 100 | 6-31636-03-0-1 | 6-31636-03-0-1 |
| | with drilling pin | 100 | 6-31636-06-0-1 | 6-31636-06-0-1 |
| 1 | Drill-in hinge | 100 | 6-28744-00-0-1 | 6-28744-00-0-1 |
| 1 | Corner bearing [1] | 100 | 6-28743-03-0-* | 6-28743-03-0-* |
| | with drilling pin | 100 | 6-28742-22-0-* | 6-28742-22-0-* |
| 1 | Bag of covers [1] | 20 | K-16790-00-0-* | K-16790-00-0-* |

[1] * Colour: 5 = brown, 7 = white

[2] ** Size 18, 20 or 22 according to sash overlap

Oblique angle head stay

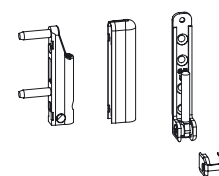
Stay arm



Stay arm bearing / axle
Covers
Stay arm bearing
9-41653-00-0-*
Stay arm hinge
9-41695-00-0-*

Drill-in hinge

Cover
9-35485-00-0-*
Corner bearing
Cover
9-35461-00-0-*



Corner bearing

Tilt sash fittings – Basic security

Fitting requirements

| Qty. | Description | PU | Article No. Groove 9 | Groove 13 |
|------|---------------------------------------|-----|-------------------------|----------------|
| 1 | Stay arm [2][3] SRW | | | |
| | 1320-2220 | 10 | 6-31674-**-*-1 | 6-31692-**-*-1 |
| 1 | Tilt stay [2][3] SRW Forend | | | |
| | 1320-1720 630 | 10 | 6-32186-**-*-1 | 6-32188-**-*-1 |
| | 1721-2220 880 | 10 | 6-32187-**-*-1 | 6-32189-**-*-1 |
| 2 | Stay arm bearing | 100 | 6-31636-03-0-1 | 6-31636-03-0-1 |
| | with drilling pin | 100 | 6-31636-06-0-1 | 6-31636-06-0-1 |
| 2 | Bag of covers [1] | 20 | K-16791-00-0-* | K-16791-00-0-* |
| | Tilt sash hinge [2] | 100 | 6-31847-**-0-1 | 6-31848-**-0-1 |
| | Stay arm bearing | 100 | 6-31636-03-0-1 | 6-31636-03-0-1 |
| | with drilling pin | 100 | 6-31636-06-0-1 | 6-31636-06-0-1 |
| | Bag of covers [1] | 20 | K-16791-00-0-* | K-16791-00-0-* |
| | SRW | | | |
| 3 | 1320-1720 | | | |
| 4 | 1721-2220 | | | |

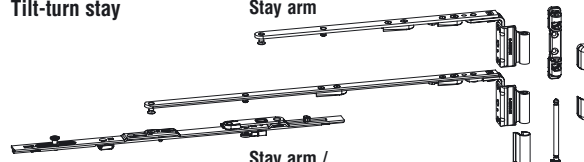
[1] * Colour: 5 = brown, 7 = white

[2] ** Size 18, 20 or 22 according to sash overlap

[3] * L = DIN left, R = DIN right

Tilt-turn stay

Stay arm

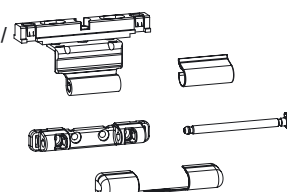


Stay arm / stay arm connecting plate
Stay arm bearing / axle
Covers
Stay arm bearing
9-41653-00-0-*
Stay arm hinge
9-41695-00-0-*

Tilt stay

Tilt sash hinge

Stay arm bearing / axle
Covers
Stay arm bearing
9-41653-00-0-*
Tilt sash hinge
9-41695-00-0-*

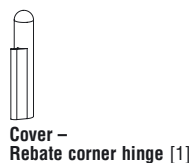
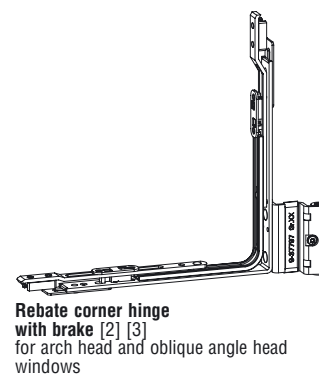
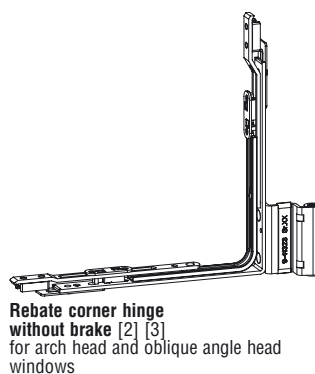
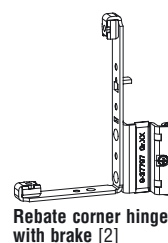
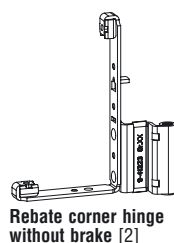
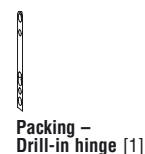
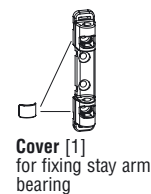
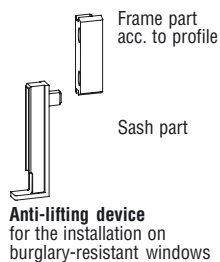


Tilt sash hinge

Optional parts for hinge side UNI-JET D

| Description | PU | Article No. DIN left | DIN right |
|---|-----------------------|-------------------------|----------------------------------|
| Anti-lifting device sash part | 100 | 9-36061-00-0-1 | 9-36061-00-0-1 |
| Anti-lifting device frame part | 100 | (acc. to profile) | (acc. to profile) |
| Axle | 10 | 6-31840-00-0-1 | 6-31840-00-0-1 |
| Cover [1] for fixing stay arm bearing | 100 | 9-41874-00-0-* | 9-41874-00-0-* |
| Drill-in hinge with brake | 100 | 6-29660-00-L-1 | 6-29660-00-R-1 |
| Cover [1] | 100 | 9-38718-00-0-* | 9-38718-00-0-* |
| Bag of covers [1] Drill-in hinge with brake | 20 | K-17012-00-0-* | K-17012-00-0-* |
| Contents | | | |
| 1 Cover for stay arm bearing | | | |
| 1 Cover for stay arm hinge | | | |
| 1 Cover for drill-in hinge with brake | | | |
| 1 Cover for corner bearing | | | |
| Packing Drill-in hinge [1] | | | |
| Inclination | | | |
| 6° | 100 | E-16244-06-0-* | E-16244-06-0-* |
| 10° | 100 | E-16244-40-0-* | E-16244-40-0-* |
| 15° | 100 | E-16244-15-0-* | E-16244-15-0-* |
| 20° | 100 | E-16244-20-0-* | E-16244-20-0-* |
| Rebate corner hinge [2] without brake | Groove 9 Groove 13 | 100 100 | 6-31521-**-L-1 6-31522-**-L-1 |
| | | | 6-31521-**-R-1 6-31522-**-R-1 |
| Rebate corner hinge [2] with brake | Groove 9 Groove 13 | 100 100 | 6-28740-**-L-1 6-28741-**-L-1 |
| | | | 6-28740-**-R-1 6-28741-**-R-1 |
| Rebate corner hinge without brake [2][3] | Groove 9 Groove 13 | 10 10 | 6-32426-**-L-1 6-32427-**-L-1 |
| | | | 6-32426-**-R-1 6-32427-**-R-1 |
| Rebate corner hinge with brake [2][3] | Groove 9 Groove 13 | 20 20 | 6-28779-**-L-1 6-28780-**-L-1 |
| | | | 6-28779-**-R-1 6-28780-**-R-1 |
| Cover for rebate hinge [1] | | 100 | 9-37725-00-L-* 9-37725-00-R-* |
| Bag of covers for rebate hinge [1] | | | |
| Contents | | | |
| 1 Cover for stay arm bearing | | | |
| 1 Cover for stay arm hinge | | | |
| 1 Cover for rebate hinge DIN left | | | |
| 1 Cover for rebate hinge DIN right | | | |
| 1 Cover for corner bearing | | | |

- [1] * Colour: 5 = brown, 7 = white
 [2] ** Size 18, 20 or 22 according to sash overlap
 [3] instead corner transmission 6-26743-00-0-1

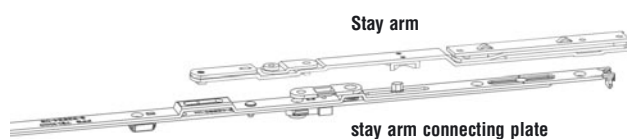


Tilt-turn, side hung and tilt sash fittings – rebate 12 mm

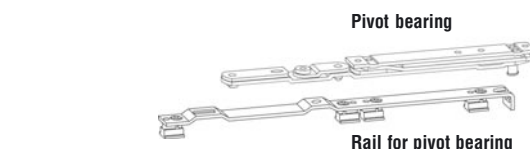
Tilt-turn sash – Basic security

Fitting requirements for schemes A to E

| Qty. | Description | PU | Article No. DIN left | DIN right | |
|------|--|-----------------------------|-------------------------|----------------------------------|----------------------------------|
| 1 | Sash bearing | 20 | 9-36475-00-0-1 | 9-36475-00-0-1 | |
| 1 | Rail for sash bearing | 20 | 9-36476-00-0-1 | 9-36476-00-0-1 | |
| 1 | Corner bearing | Groove 9 mm Groove 13 mm | 20 20 | 9-42878-00-L-1 9-42879-00-L-1 | 9-42878-00-R-1 9-42879-00-R-1 |
| 1 | Opening restrictor [1] | 20 | 9-36478-00-0-1 | 9-36478-00-0-1 | |
| 1 | Stay arm | Groove 9 mm Groove 13 mm | 10 10 | 9-42996-00-L-1 9-42997-00-L-1 | 9-42996-00-R-1 9-42997-00-R-1 |
| 1 | Stay arm connecting plate | | | | |
| | SRW Forend ML | | | | |
| | 501- 750 590 | 10 | 6-32824-06-0-1 | 6-32824-06-0-1 | |
| | 751- 950 840 1 | 10 | 6-32824-08-0-1 | 6-32824-08-0-1 | |
| | 951-1200 1040 1 | 10 | 6-32824-10-0-1 | 6-32824-10-0-1 | |
| 1 | Bag of packings of corner bearing, stay arm | | | | |
| | Profile systems (not illustrated) | 20 | (acc. to profile) | (acc. to profile) | |



Tilt-turn stay



Side hung sash hinge

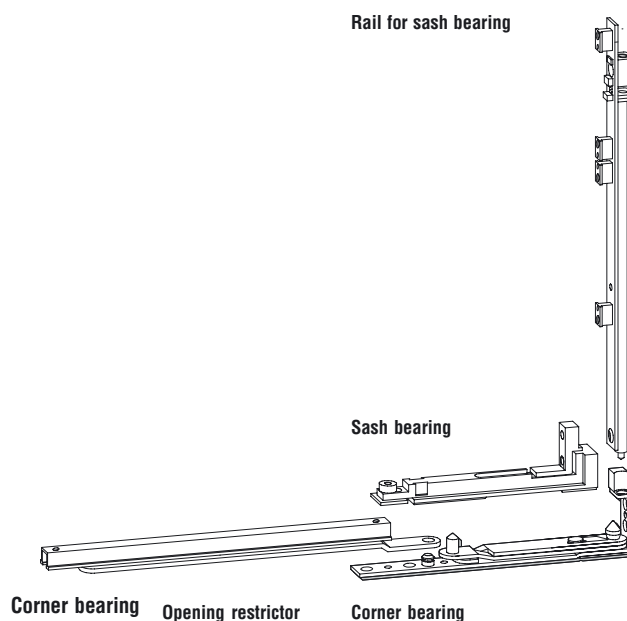
Side hung and inactive sash – Basic security

Fitting requirements for schemes A to E

| Qty. | Description | PU | Article No. DIN left | DIN right | |
|------|---|-----------------------------|-------------------------|----------------------------------|----------------------------------|
| 1 | Sash bearing | 20 | 9-36475-00-0-1 | 9-36475-00-0-1 | |
| 1 | Rail for sash bearing | 20 | 9-36476-00-0-1 | 9-36476-00-0-1 | |
| 1 | Corner bearing | Groove 9 mm Groove 13 mm | 20 20 | 9-42878-00-L-1 9-42879-00-L-1 | 9-42878-00-R-1 9-42879-00-R-1 |
| 1 | Opening restrictor [1] | 20 | 9-36478-00-0-1 | 9-36478-00-0-1 | |
| 1 | Pivot bearing | Groove 9 mm Groove 13 mm | 10 10 | 9-42880-00-L-1 9-42881-00-L-1 | 9-42880-00-R-1 9-42881-00-R-1 |
| 1 | Rail for pivot bearing | 20 | 9-37013-00-0-1 | 9-37013-00-0-1 | |
| 1 | Forced locking device from SRH 1101 | 20 | 9-37014-00-0-1 | 9-37014-00-0-1 | |
| 1 | Locking plate from SRH 1101 | 20 | 9-37015-00-0-1 | 9-37015-00-0-1 | |
| 1 | Bag of packings of corner bearing, pivot bearing | | | | |
| | Profile systems (not illustrated) | 20 | (acc. to profile) | (acc. to profile) | |



Middle hinge

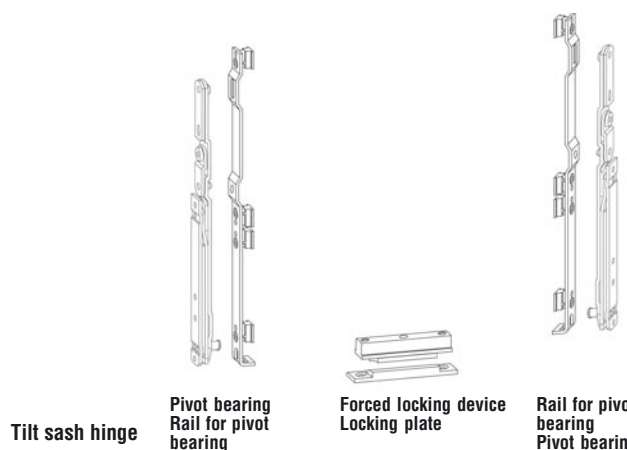


Corner bearing Opening restrictor Corner bearing

Tilt sash gears – Basic security

Fitting requirements

| Qty. | Description | PU | Article No. | |
|------|--|-----------------------------|-------------------|----------------------------------|
| 1 | Pivot bearing | Groove 9 mm Groove 13 mm | 10 10 | 9-42880-00-L-1 9-42881-00-L-1 |
| 1 | Pivot bearing | Groove 9 mm Groove 13 mm | 10 10 | 9-42880-00-R-1 9-42881-00-R-1 |
| 2 | Rail for pivot bearing | 20 | 9-37013-00-0-1 | |
| 1 | Forced locked device from SRW 800 | 20 | 9-37014-00-0-1 | |
| 1 | Locking plate from SRW 800 | 20 | 9-37015-00-0-1 | |
| 1 | Bag of packings for pivot bearing | | | |
| | Profile systems (not illustrated) | 20 | (acc. to profile) | |



Tilt sash hinge

Pivot bearing
Rail for pivot bearing

Forced locking device
Locking plate

Rail for pivot bearing
Pivot bearing

Fixed and variable gear position, backset 25 – 50 mm



Gear AP 25 GV – AP 50 GV

Gear AP 25 GK – AP 50 GK

Gear AP 25 GK – AP 50 GK

| Description | PU | Article No. |
|--|--------|-------------|
| Gear AP 25 GK, lockable | | |
| Backset 25, fixed gear position | | |
| SRH | Forend | G ML |
| 1851-2100 | 1940 | 980 3 |
| 2101-2350 | 2190 | 980 4 |
| Gear AP 30 GK, lockable | | |
| Backset 30, fixed gear position | | |
| SRH | Forend | G ML |
| 1851-2100 | 1940 | 980 3 |
| 2101-2350 | 2190 | 980 4 |
| Gear AP 35 GK, lockable | | |
| Backset 35, fixed gear position | | |
| SRH | Forend | G ML |
| 1851-2100 | 1940 | 980 3 |
| 2101-2350 | 2190 | 980 4 |
| Gear AP 40 GK, lockable | | |
| Backset 40, fixed gear position | | |
| SRH | Forend | G ML |
| 1851-2100 | 1940 | 980 3 |
| 2101-2350 | 2190 | 980 4 |
| Gear AP 45 GK, lockable | | |
| Backset 45, fixed gear position | | |
| SRH | Forend | G ML |
| 1851-2100 | 1940 | 980 3 |
| 2101-2350 | 2190 | 980 4 |
| Gear AP 50 GK, lockable | | |
| Backset 50, fixed gear position | | |
| SRH | Forend | G ML |
| 1851-2100 | 1940 | 980 3 |
| 2101-2350 | 2190 | 980 4 |

Gear AP 25 GV – AP 50 GV

| Description | PU | Article No. |
|---|--------|-------------|
| Gear AP 25 GV, lockable | | |
| Backset 25, variable gear position | | |
| SRH | Forend | GV ML |
| 951-1450 | 1130 | 475- 725 1 |
| 1451-1950 | 1630 | 725- 975 2 |
| 1951-2450 | 2130 | 975-1225 3 |
| Gear AP 30 GV, lockable | | |
| Backset 30, variable gear position | | |
| SRH | Forend | GV ML |
| 951-1450 | 1130 | 475- 725 1 |
| 1451-1950 | 1630 | 725- 975 2 |
| 1951-2450 | 2130 | 975-1225 3 |
| Gear AP 35 GV, lockable | | |
| Backset 35, variable gear position | | |
| SRH | Forend | GV ML |
| 951-1450 | 1130 | 475- 725 1 |
| 1451-1950 | 1630 | 725- 975 2 |
| 1951-2450 | 2130 | 975-1225 3 |
| Gear AP 40 GV, lockable | | |
| Backset 40, variable gear position | | |
| SRH | Forend | GV ML |
| 951-1450 | 1130 | 475- 725 1 |
| 1451-1950 | 1630 | 725- 975 2 |
| 1951-2450 | 2130 | 975-1225 3 |
| Gear AP 45 GV, lockable | | |
| Backset 45, variable gear position | | |
| SRH | Forend | GV ML |
| 951-1450 | 1130 | 475- 725 1 |
| 1451-1950 | 1630 | 725- 975 2 |
| 1951-2450 | 2130 | 975-1225 3 |
| Gear AP 50 GV, lockable | | |
| Backset 50, variable gear position | | |
| SRH | Forend | GV ML |
| 951-1450 | 1130 | 475- 725 1 |
| 1451-1950 | 1630 | 725- 975 2 |
| 1951-2450 | 2130 | 975-1225 3 |

Fixed gear position, backset 25 – 50 mm



Gear 25 GK – 50 GK

| Description | PU | Article No. |
|--|----------------|-------------|
| Gear 25 GK, non-lockable | | |
| Backset 25, fixed gear position | | |
| SRH | Forend | G ML |
| 851-1100 | 940 | 400 1 |
| 1101-1350 | 1190 | 500 1 |
| 1351-1600 | 1440 | 600 2 |
| 1601-1850 | 1690 | 600 3 |
| 1851-2100 | 1940 | 980 3 |
| 2101-2350 | 2190 | 980 4 |
| 10 | G-22790-25-0-1 | |
| 10 | G-22791-25-0-1 | |
| 10 | G-22792-25-0-1 | |
| 10 | G-22793-25-0-1 | |
| 10 | G-22321-25-0-1 | |
| 10 | G-22322-25-0-1 | |
| Gear 30 GK, non-lockable | | |
| Backset 30, fixed gear position | | |
| SRH | Forend | G ML |
| 851-1100 | 940 | 400 1 |
| 1101-1350 | 1190 | 500 1 |
| 1351-1600 | 1440 | 600 2 |
| 1601-1850 | 1690 | 600 3 |
| 1851-2100 | 1940 | 980 3 |
| 2101-2350 | 2190 | 980 4 |
| 10 | G-22790-30-0-1 | |
| 10 | G-22791-30-0-1 | |
| 10 | G-22792-30-0-1 | |
| 10 | G-22793-30-0-1 | |
| 10 | G-22321-30-0-1 | |
| 10 | G-22322-30-0-1 | |
| Gear 35 GK, non-lockable | | |
| Backset 35, fixed gear position | | |
| SRH | Forend | G ML |
| 851-1100 | 940 | 400 1 |
| 1101-1350 | 1190 | 500 1 |
| 1351-1600 | 1440 | 600 2 |
| 1601-1850 | 1690 | 600 3 |
| 1851-2100 | 1940 | 980 3 |
| 2101-2350 | 2190 | 980 4 |
| 10 | G-22790-35-0-1 | |
| 10 | G-22791-35-0-1 | |
| 10 | G-22792-35-0-1 | |
| 10 | G-22793-35-0-1 | |
| 10 | G-22321-35-0-1 | |
| 10 | G-22322-35-0-1 | |
| Gear 40 GK, non-lockable | | |
| Backset 40, fixed gear position | | |
| SRH | Forend | G ML |
| 851-1100 | 940 | 400 1 |
| 1101-1350 | 1190 | 500 1 |
| 1351-1600 | 1440 | 600 2 |
| 1601-1850 | 1690 | 600 3 |
| 1851-2100 | 1940 | 980 3 |
| 2101-2350 | 2190 | 980 4 |
| 10 | G-22790-40-0-1 | |
| 10 | G-22791-40-0-1 | |
| 10 | G-22792-40-0-1 | |
| 10 | G-22793-40-0-1 | |
| 10 | G-22321-40-0-1 | |
| 10 | G-22322-40-0-1 | |
| Gear 45 GK, non-lockable | | |
| Backset 45, fixed gear position | | |
| SRH | Forend | G ML |
| 851-1100 | 940 | 400 1 |
| 1101-1350 | 1190 | 500 1 |
| 1351-1600 | 1440 | 600 2 |
| 1601-1850 | 1690 | 600 3 |
| 1851-2100 | 1940 | 980 3 |
| 2101-2350 | 2190 | 980 4 |
| 10 | G-22790-45-0-1 | |
| 10 | G-22791-45-0-1 | |
| 10 | G-22792-45-0-1 | |
| 10 | G-22793-45-0-1 | |
| 10 | G-22321-45-0-1 | |
| 10 | G-22322-45-0-1 | |
| Gear 50 GK, non-lockable | | |
| Backset 50, fixed gear position | | |
| SRH | Forend | G ML |
| 851-1100 | 940 | 400 1 |
| 1101-1350 | 1190 | 500 1 |
| 1351-1600 | 1440 | 600 2 |
| 1601-1850 | 1690 | 600 3 |
| 1851-2100 | 1940 | 980 3 |
| 2101-2350 | 2190 | 980 4 |
| 10 | G-22790-50-0-1 | |
| 10 | G-22791-50-0-1 | |
| 10 | G-22792-50-0-1 | |
| 10 | G-22793-50-0-1 | |
| 10 | G-22321-50-0-1 | |
| 10 | G-22322-50-0-1 | |

Variable gear position, backset 25 – 50 mm

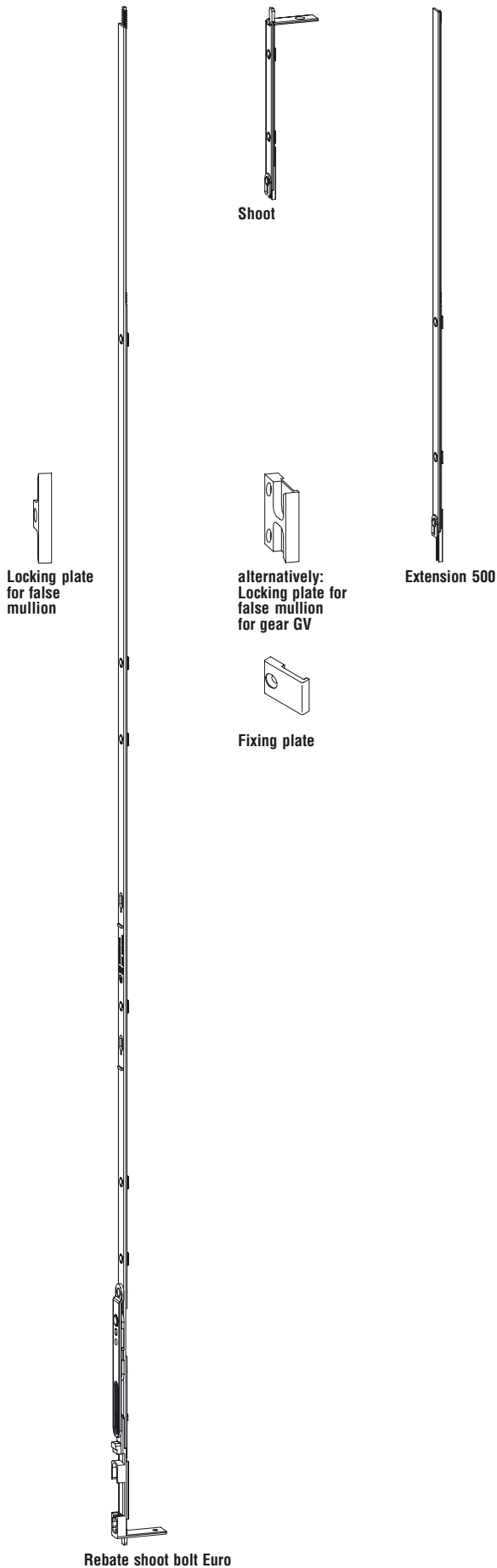
Gear 25 GV – 50 GV

| Description | PU | Article No. |
|---|----|----------------|
| Gear 25 GV, non-lockable | | |
| Backset 25, variable gear position | | |
| SRH Forend GV ML | | |
| 576- 950 630 288- 475 | 10 | G-22343-25-0-1 |
| 951-1450 1130 475- 725 | 10 | G-22344-25-0-1 |
| 1451-1950 1630 725- 975 | 10 | G-22345-25-0-1 |
| 1951-2450 2130 975-1225 | 10 | G-22346-25-0-1 |
| Gear 30 GV, non-lockable | | |
| Backset 30, variable gear position | | |
| SRH Forend GV ML | | |
| 576- 950 630 288- 475 | 10 | G-22343-30-0-1 |
| 951-1450 1130 475- 725 | 10 | G-22344-30-0-1 |
| 1451-1950 1630 725- 975 | 10 | G-22345-30-0-1 |
| 1951-2450 2130 975-1225 | 10 | G-22346-30-0-1 |
| Gear 35 GV, non-lockable | | |
| Backset 35, variable gear position | | |
| SRH Forend GV ML | | |
| 576- 950 630 288- 475 | 10 | G-22343-35-0-1 |
| 951-1450 1130 475- 725 | 10 | G-22344-35-0-1 |
| 1451-1950 1630 725- 975 | 10 | G-22345-35-0-1 |
| 1951-2450 2130 975-1225 | 10 | G-22346-35-0-1 |
| Gear 40 GV, non-lockable | | |
| Backset 40, variable gear position | | |
| SRH Forend GV ML | | |
| 576- 950 630 288- 475 | 10 | G-22343-40-0-1 |
| 951-1450 1130 475- 725 | 10 | G-22344-40-0-1 |
| 1451-1950 1630 725- 975 | 10 | G-22345-40-0-1 |
| 1951-2450 2130 975-1225 | 10 | G-22346-40-0-1 |
| Gear 45 GV, non-lockable | | |
| Backset 45, variable gear position | | |
| SRH Forend GV ML | | |
| 576- 950 630 288- 475 | 10 | G-22343-45-0-1 |
| 951-1450 1130 475- 725 | 10 | G-22344-45-0-1 |
| 1451-1950 1630 725- 975 | 10 | G-22345-45-0-1 |
| 1951-2450 2130 975-1225 | 10 | G-22346-45-0-1 |
| Gear 50 GV, non-lockable | | |
| Backset 50, variable gear position | | |
| SRH Forend GV ML | | |
| 576- 950 630 288- 475 | 10 | G-22343-50-0-1 |
| 951-1450 1130 475- 725 | 10 | G-22344-50-0-1 |
| 1451-1950 1630 725- 975 | 10 | G-22345-50-0-1 |
| 1951-2450 2130 975-1225 | 10 | G-22346-50-0-1 |



Gear 25 GV – 50 GV

Fixed gear position



Rebate shoot bolt Euro

| Description | PU | Article No. | | | |
|---|--------|-------------|-----|----------------|----------------|
| Rebate shoot bolt Euro | | | | | |
| Fixed gear position | | | | | |
| SRH | Forend | G | | | |
| | | ML | | | |
| 470- 720 | 560 | 230 | 10 | 6-32606-01-0-1 | |
| 721- 850 | 690 | 295 | 1 | 10 | 6-32606-02-0-1 |
| 851-1100 | 940 | 295 | 1 | 10 | 6-32606-03-0-1 |
| 1101-1350 | 1190 | 295 | 1 | 10 | 6-32606-04-0-1 |
| 1351-1600 | 1440 | 295 | 2 | 10 | 6-32606-05-0-1 |
| 1601-1850 | 1690 | 295 | 3 | 10 | 6-32606-06-0-1 |
| 1851-2100 | 1940 | 516 | 3 | 10 | 6-32606-07-0-1 |
| 2101-2350 | 2190 | 516 | 4 | 10 | 6-32606-08-0-1 |
| Shoot | | | 100 | 6-25158-00-0-1 | |
| Extension 500 from SRH 2351 | | | 10 | 6-26152-00-0-1 | |
| Locking plate for false mullion | | | 100 | 9-32275-00-0-1 | |
| alternatively: Locking plate for false mullion Euro groove 7/8 x 4 for gear GV on first opened shas | | | 100 | 9-34130-00-0-1 | |
| Fixing plate for rebate shoot bolt | | | 100 | 9-36996-00-0-1 | |

2



Locking plates, door catches and packings



for burglary-resistant single-sash windows and patio doors – "Basic security"

| PVC Profile systems | Sash profile | Frame profile | Groove pos. mm | Sash overlap mm/° | | Locking plate Se (tilt-function) PU = 100 | Locking plate on frame PU = 100 | Locking plate IS Slit ventilation PU = 100 | Door catches PU = 10, 100 | Packing [1] PU = 100 | Wedge for sash pos. with WOSD PU = 100 | Cam plate Middle hinge zinc PU = 100 | Cam plate Middle hinge PA PU = 100 |
|------------------------------|--------------|---------------|----------------|-------------------|--|---|---------------------------------|--|---------------------------|----------------------|--|--------------------------------------|------------------------------------|
| Accord Contour 7.0 MD | A.FL 02 | A.RA 01 | 13,0 | 20/0° | | 6-27831-05-0-1 | 9-38620-00-0-1 | G-13261-00-* -1 | 6-29711-00-0-1 | 9-38556-00-0-1 | 9-40472-00-0-1 | 9-39530-00-0-1 | 9-40866-00-0-1 |
| Actual A 600 | | | 13,0 | 20/0° | | 6-27831-26-0-1 | 9-39614-00-0-1 | | | | | | |
| Actual System 400 (Panorama) | P 1406 | P 1401 | 9,0 | 20/0° | | 6-27674-51-0-1 | 9-34542-00-0-1 | | 6-29892-00-0-1 | 9-30082-00-0-1 | | | |
| Actual System 500 | P 1506 | P 1501 | 9,0 | 20/0° | | 6-27674-52-0-1 | 9-34542-00-0-1 | G-13261-00-* -1 | 6-29892-00-0-1 | 9-30082-00-0-1 | | | |
| Alphacan Class | MB 00 G | MT 00 B | 13,0 | 20/0° | | 6-27831-46-0-1 | 9-41977-00-0-1 | | | | | 9-41979-00-0-1 | |
| Alphacan Fersina Diplomat | ZOMI | ELMI | 9,1 | 21/0° | | 6-27674-30-0-1 | 9-36886-00-0-1 | | | | 9-40460-00-0-1 | 9-38951-00-0-1 | |
| Alphacan Fersina Master | ZOM | ELA | 9,4 | 21,7/0° | | 6-27674-31-0-1 | 9-36886-00-0-1 | | | | 9-40460-00-0-1 | 9-38951-00-0-1 | 9-40871-01-0-1 |
| Alphacan Profilia 600 | PF 096 | PF 090 | 9,0 | 20/0° | | 6-27674-07-0-1 | 9-30146-06-0-1 | | | | | | |
| Alphacan Profilia MD 600 | PE 611 | PE 602 | 13,0 | 20/0° | | 6-27831-10-0-1 | 9-38115-00-0-1 | | | | 9-40461-00-0-1 | 9-39365-00-0-1 | 9-40565-05-0-1 |
| Aluplast Ideal 2000 | 120022 | 120002 | 13,0 | 20/5° | | 6-27831-05-0-1 | 9-34907-00-0-1 | 9-38221-00-0-1 | K-17118-00-0-1 | | 9-40066-00-0-1 | 9-39530-00-0-1 | 9-40866-00-0-1 |
| Aluplast Ideal 3000 | 130023 | 130002 | 13,0 | 20/5° | | 6-27831-05-0-1 | 9-34907-00-0-1 | | K-17118-00-0-1 | | 9-40066-00-0-1 | 9-39530-00-0-1 | 9-40866-00-0-1 |
| Aluplast Ideal 4000 | 140025 | 140002 | 13,0 | 20/0° | | 6-31067-01-0-1 | 9-38218-00-0-1 | | 6-30509-00-0-1 | | 9-40066-00-0-1 | | |
| Aluplast Ideal 5000 | 150025 | 150002 | 13,0 | 20/0° | | 6-27831-08-0-1 | 9-38218-00-0-1 | | 6-30509-00-0-1 | | 9-40066-00-0-1 | | |
| Aluplast Ideal 6000 | 150025 | 160013 | 13,0 | 20/0° | | 6-27831-08-0-1 | 9-38218-00-0-1 | | 6-30509-00-0-1 | | 9-40066-00-0-1 | | |
| Aluplast Signum 21 | 70 | 71 | 9,0 | 20/0° | | 6-27674-17-0-1 | 9-30146-04-0-1 | | 9-36074-00-0-1 | | | | |
| Aluplast Signum 25 | 2539 | 2534 | 13,0 | 20/0° | | 6-27831-02-0-1 | 9-35770-00-0-1 | G-13261-00-* -1 | 9-36285-00-0-1 | E-18583-00-0-1 | | 9-39532-00-0-1 | |
| Aluplast Signum 26 | 2610 | 2601 | 13,0 | 20/0° | | 6-27831-48-0-1 | 9-34907-00-0-1 | | | | | 9-39790-00-0-1 | |
| Atrya (Tryba) E 58 | Z 74 | L 65 | 9,0 | 20/5° | | 6-27674-22-0-1 | E-16069-00-0-1 | 9-36320-00-0-1 | 9-35827-00-0-1 | | | | |
| Atrya (Tryba) T 58 | Z 76 J | L 66/3J | 13,1 | 20/5° | | 6-27831-06-0-1 | E-18949-00-0-1 | G-13261-00-* -1 | K-17118-00-0-1 | 9-38556-00-0-1 | 9-40465-00-0-1 | | |
| Atrya (Tryba) T 58/3 | Z 76/3J | L 66/3J | 13,1 | 20/5° | | 6-27831-06-0-1 | E-18949-00-0-1 | G-13261-00-* -1 | K-17118-00-0-1 | 9-38556-00-0-1 | 9-40465-00-0-1 | | |
| Brügmann 81 | HF 411 | HF 431 | 9,0 | 20/0° | | 6-27674-04-0-1 | 9-32616-00-0-1 | G-13261-00-* -1 | 6-29892-00-0-1 | 9-30082-00-0-1 | 9-40474-00-0-1 | 9-38799-01-0-1 | |
| Brügmann AD | HP 152 | HP 102 | 13,0 | 20/0° | | 6-27831-05-0-1 | 9-34907-00-0-1 | 9-40025-00-0-1 | K-17118-00-0-1 | | 9-40465-00-0-1 | | 9-40565-02-0-1 |
| Brügmann Euro 92 | HF 902 | HF 941 | 9,0 | 20/0° | | 6-27674-03-0-1 | 9-35745-00-0-1 | | 9-33434-16-0-1 | | | 9-39786-00-0-1 | |
| Brügmann MD | HP 252 | HP 202 | 13,0 | 20/0° | | 6-27831-05-0-1 | 9-34907-00-0-1 | 9-40025-00-0-1 | K-17118-00-0-1 | | 9-40465-00-0-1 | | 9-40565-02-0-1 |
| Deceuninck 1800 | P 1807 | P 1801 | 8,7 | 21/0° | | 6-27674-14-0-1 | 9-36544-00-0-1 | | 9-35596-00-0-1 | | | | |
| Deceuninck Mondial | P 2021 | P 2000 | 13,0 | 21/0° | | 6-27831-31-0-1 | 9-35737-00-0-1 | G-13261-00-* -1 | 6-29892-00-0-1 | E-18310-00-0-1 | 9-40475-00-0-1 | 9-38157-00-0-1 | 9-40565-03-0-1 |
| Deceuninck Mondial | P 2105 | P 2100 | 13,0 | 21/0° | | 6-27831-31-0-1 | 9-35737-00-0-1 | | | | 9-40475-00-0-1 | 9-38157-00-0-1 | 9-40565-03-0-1 |
| Deceuninck Zendow | 3052 | 3001 | 13,0 | 20/5° | | 6-27831-47-0-1 | 9-35508-00-0-1 | | 9-40027-00-0-1 | | E-21902-35-0-1 | 9-39787-So-0-1 | 9-40565-06-0-1 |
| Dimex Komfort | | | 13,0 | 20/0° | | 6-27831-08-0-1 | 9-34907-00-0-1 | | 6-30509-00-0-1 | | 9-40473-00-0-1 | | |
| Edil Serie Oslo | P 1579 | P 1590 | 13,0 | 20/0° | | 6-27674-02-0-1 | 9-38307-00-0-1 | G-13261-00-* -1 | 6-29892-00-0-1 | 9-34105-00-0-1 | | | |
| Egeplast | | | 9,0 | 20/5° | | 6-27674-53-0-1 | E-13534-15-0-1 | | | | | | |
| Egeprofil (Türkei) | | | 9,0 | 21/5° | | 6-27674-54-0-1 | 9-33271-00-0-1 | | | | | | |
| Fapes | 82 | 81 | 9,0 | 22/0° | | 6-27674-55-0-1 | 9-39511-00-0-1 | | 6-29892-10-0-1 | | 9-40459-00-0-1 | 9-39514-00-0-1 | 9-40871-02-0-1 |
| Gealan S 3000 | 3090 | 3008 | 13,0 | 20/0° | | 6-27831-04-0-1 | 9-35858-00-0-1 | G-13261-00-* -1 | 6-29892-00-0-1 | E-20048-03-0-1 | 9-40468-00-0-1 | 9-39531-00-0-1 | 9-40565-04-0-1 |
| Gealan S 6000 | 6093 | 6008 | 13,0 | 20/0° | | 6-27831-22-0-1 | 9-37885-00-0-1 | | | | | | |
| Gealan S 7000 IQ | 7093 | 7008 | 13,0 | 20/0° | | 6-31067-02-0-1 | 9-35858-00-0-1 | G-13261-00-* -1 | 6-29892-00-0-1 | E-20048-03-0-1 | 9-40468-00-0-1 | 9-39531-00-0-1 | 9-40565-04-0-1 |
| Gealan S 8000 IQ | 8066 | 8008 | 13,0 | 20/0° | | 6-31067-02-0-1 | 9-35858-00-0-1 | G-13261-00-* -1 | 6-29892-00-0-1 | E-20048-03-0-1 | 9-40468-00-0-1 | 9-39531-00-0-1 | 9-40565-04-0-1 |

for burglary-resistant single-sash windows and patio doors – "Basic security"

| PVC Profile systems | Sash profile | Frame profile | Groove pos. mm | Sash overlap mm/° | | Locking plate Se (tilt-function) PU = 100 | Locking plate on frame PU = 100 | Locking plate IS Slit ventilation PU = 100 | Door catches PU = 10, 100 | Packing [1] PU = 100 | Wedge for sash pos. with WOSD PU = 100 | Cam plate Middle hinge zinc PU = 100 | Cam plate Middle hinge PA PU = 100 |
|----------------------------|--------------|---------------|----------------|-------------------|--|---|---------------------------------|--|---------------------------|----------------------|--|--------------------------------------|------------------------------------|
| Gromathic System AD 3100 | GM 3101 | GM 3108 | 9,0 | 20/0° | | 6-27674-18-0-1 | 9-34202-00-0-1 | | 6-27830-00-0-1 | | | | |
| Gromathic System MD 3000 | GM 3001 | GM 3008 | 9,0 | 20/0° | | 6-27674-24-0-1 | 9-34202-00-0-1 | | | | | | |
| Hocoplast H 120 | 120-86 | 100-68 | 9,0 | 20/5° | | 6-27674-19-0-1 | E-11968-00-0-1 | | | | | | |
| Home | F 84 | B 80 | 9,0 | 20/6° | | 6-27674-04-0-1 | 9-30146-02-0-1 | G-13261-00-* -1 | 6-29892-00-0-1 | 9-30082-00-0-1 | | | |
| HT-Troplast Innonova 2000 | 520100 | 510100 | 13,0 | 20/0° | | 6-27674-42-0-1 | 9-41716-00-0-1 | 9-41687-00-0-1 | 6-29892-00-0-1 | 9-30084-00-0-1 | 9-40476-00-0-1 | 9-41686-00-0-1 | 9-40871-03-0-1 |
| HT-Troplast Innonova 70 AD | 620600 | 610100 | 13,0 | 20/0° | | 6-27831-40-0-1 | 9-37137-00-0-1 | | K-17140-00-0-1 | | 9-40785-00-0-1 | 9-39788-00-0-1 | |
| HT-Troplast Innonova 70 MD | 520600 | 510300 | 13,0 | 20/0° | | 6-27831-40-0-1 | 9-37137-00-0-1 | 9-40025-00-0-1 | K-17140-00-0-1 | | 9-40785-00-0-1 | 9-39788-00-0-1 | |
| HT-Troplast Trocal 900 | 920100 | 910100 | 9,0 | 20/0° | | 6-27674-07-0-1 | 9-30806-00-0-1 | 9-38679-00-0-1 | 6-29892-00-0-1 | 9-30084-00-0-1 | 9-40476-00-0-1 | 9-38799-00-0-1 | 9-40871-03-0-1 |
| HT-Troplast Trocal Confort | 120400 | 111000 | 13,0 | 20/0° | | 6-27831-40-0-1 | 9-37137-00-0-1 | 9-40025-00-0-1 | 9-37138-00-* -1 | | 9-40785-00-0-1 | 9-39788-00-0-1 | |
| Ital Plastick | 07073ZE | 07073EL | 10,0 | 20/0° | | 6-27674-56-0-1 | 9-31750-00-0-1 | | | | 9-40471-00-0-1 | | |
| KBE AD | 318 | 306 | 9,0 | 20/2,5° | | 6-27674-05-0-1 | 9-31115-00-0-1 | 9-39409-00-0-1 | 9-35596-00-0-1 | | 9-40469-00-0-1 | 9-38156-00-0-1 | 9-40871-05-0-1 |
| KBE AD 70 | 375 | 370 | 13,0 | 20/0° | | 6-31067-03-0-1 | 9-35508-00-0-1 | 9-40026-00-0-1 | 9-40027-00-0-1 | | 9-40488-00-0-1 | 9-39789-00-0-1 | 9-40565-06-0-1 |
| KBE MD | 112 | 100 | 9,0 | 20/4° | | 6-27674-21-0-1 | 9-33663-00-0-1 | G-13261-00-* -1 | 6-29892-00-0-1 | 9-30084-00-0-1 | 9-40470-00-0-1 | 9-38799-00-0-1 | 9-40871-06-0-1 |
| Kö-EuroFutur Classic | 2411 | 2401 | 12,9 | 20/4° | | 6-27831-01-0-1 | 9-33802-00-0-1 | G-13261-00-* -1 | K-14546-00-0-1 | 9-34450-00-0-1 | 9-40457-00-0-1 | 9-38155-00-0-1 | |
| Kö-EuroFutur Elegance | 111 | 101 | 12,9 | 20/4° | | 6-27831-01-0-1 | 9-33802-00-0-1 | G-13261-00-* -1 | K-14546-00-0-1 | 9-34450-00-0-1 | 9-40457-00-0-1 | 9-38155-00-0-1 | |
| Kö-Gold | 1463 | 1461 | 12,9 | 20/4° | | 6-27831-56-0-1 | 9-35508-00-0-1 | 9-40026-00-0-1 | 9-40027-00-0-1 | | | 9-39789-00-0-1 | |
| LB-Profile Concept | CZ2-5 | CL2-5 | 13,0 | 20/0° | | 6-27831-16-0-1 | 9-34907-00-0-1 | | | | | | |
| LB-Profile Concept | CZ2-5 | CLM2-5-C | 13,0 | 20/0° | | 6-27831-16-0-1 | 9-34907-00-0-1 | | | | | | |
| Panorama 3000 | 3015 | 3001 | 13,0 | 20/0° | | 6-27831-So-0-1 | 9-41591-00-0-1 | | 6-33209-01-0-1 | | 9-40488-00-0-1 | | |
| Plastival PF 5900 | F 001 | F 010 | 13,0 | 20/7° | | 6-27831-49-0-1 | E-18736-00-0-1 | G-13261-00-* -1 | 6-29892-00-0-1 | E-18773-00-0-1 | E-21902-20-0-1 | | |
| Plustec 3K-System AD | FR 60 V | BR 66 | 13,0 | 20/5° | | 6-31067-06-0-1 | 9-37135-00-0-1 | | 9-36285-00-0-1 | E-18583-00-0-1 | | | |
| Primo 400 | P 2379 | P 2297 | 9,0 | 20/12° | | 6-27831-50-0-1 | 9-36878-00-0-1 | G-13261-00-* -1 | 6-29892-00-0-1 | 9-32671-00-0-1 | | | |
| Primo 4000 | 3283 | 3282 | 13,0 | | | 6-27831-50-0-1 | 9-34907-00-0-1 | | | | | | |
| Profel | P 602 | P 601 | 9,0 | 20/0° | | 6-27674-57-0-1 | 9-30146-16-0-1 | | | | | | |
| Pural | P 005 | P 010 | 9,0 | 18/0° | | 6-27674-45-0-1 | 9-30146-11-0-1 | G-13261-00-* -1 | 6-29892-00-0-1 | | | | |
| Pural | P 009 | P 002 | 9,0 | 18/0° | | 6-27674-45-0-1 | 9-41261-00-0-1 | | 6-29892-00-0-1 | 9-41276-00-0-1 | 9-41277-00-0-1 | 9-41262-00-0-1 | |
| Rehau S 711 | 551 020 | 551 150 | 9,0 | 20/0° | | 6-27674-12-0-1 | E-13685-00-0-1 | | 6-27577-So-0-1 | | | | |
| Rehau S 730 | 541 010 | 541 060 | 13,0 | 20/0° | | 6-31067-07-0-1 | 9-35770-00-0-1 | 9-39660-00-0-1 | K-17118-00-0-1 | | 9-40463-00-0-1 | 9-39532-00-0-1 | 9-40565-07-0-1 |
| Rehau S 780 | 634 153 | 634 133 | 9,0 | 18/0° | | 6-27674-13-0-1 | E-14339-00-0-1 | | 9-36074-00-0-1 | | | | |
| Roplasto 4K-System | 220200 | 210200 | 13,0 | 22/0° | | 6-31067-03-0-1 | 9-35508-00-0-1 | | 9-36285-00-0-1 | | 9-40488-00-0-1 | 9-40565-04-0-1 | |
| Roplasto 6001 Plus S-AD | 641300 | 619003 | 9,0 | 20/0° | | 6-27674-20-0-1 | E-15061-00-0-1 | | 6-29892-00-0-1 | 9-30082-00-0-1 | | | |
| Roplasto 6001 Plus S-AD | 640200 | 619003 | 9,0 | 20/0° | | 6-27674-20-0-1 | E-15061-00-0-1 | | 6-29892-00-0-1 | 9-30082-00-0-1 | | | |
| Roplasto 6001 Plus S-MD | 641300 | 610102 | 9,0 | 20/0° | | 6-27674-59-0-1 | E-13534-10-0-1 | | 6-29892-00-0-1 | 9-41625-00-0-1 | 9-40489-00-0-1 | | |
| Roplasto 6001 Plus S-MD | 640200 | 610172 | 9,0 | 20/0° | | 6-27674-59-0-1 | E-13534-10-0-1 | | 6-29892-00-0-1 | 9-41625-00-0-1 | 9-40489-00-0-1 | | |
| Roplasto 7001 | 220204 | 210804 | 13,0 | 22/0° | | 6-31067-03-0-1 | 9-35508-00-0-1 | | 9-36285-00-0-1 | | 9-40488-00-0-1 | 9-40565-04-0-1 | |
| Salamander Design 2D | 211 025 | 210 020 | 13,0 | 20/0° | | 6-27831-30-0-1 | 9-38634-00-0-1 | 9-40260-00-0-1 | K-17139-00-0-1 | | 9-40466-00-0-1 | 9-39790-00-0-1 | 9-40565-10-0-1 |
| Salamander Design 3D | 211 220 | 110 220 | 13,0 | 20/14° | | 6-31067-04-0-1 | 9-38634-00-0-1 | 9-40260-00-0-1 | K-17139-00-0-1 | | 9-40466-00-0-1 | 9-39790-00-0-1 | 9-40565-10-0-1 |

Locking plates, door catches and packings



for burglary-resistant single-sash windows and patio doors – "Basic security"

| PVC Profile systems | Sash profile | Frame profile | Groove pos. mm | Sash overlap mm/° | | Locking plate Se (tilt-function) PU = 100 | Locking plate on frame PU = 100 | Locking plate IS Slit ventilation PU = 100 | Door catches PU = 10, 100 | Packing [1] PU = 100 | Wedge for sash pos. with WOSD PU = 100 | Cam plate Middle hinge zinc PU = 100 | Cam plate Middle hinge PA PU = 100 |
|-----------------------|--------------|---------------|----------------|-------------------|--|---|---------------------------------|--|---------------------------|----------------------|--|--------------------------------------|------------------------------------|
| Salamander Design MD | 111 026 | 110 036 | 13,0 | 20/0° | | 6-27831-30-0-1 | 9-38634-00-0-1 | 9-40260-00-0-1 | K-17139-00-0-1 | | 9-40466-00-0-1 | 9-39790-00-0-1 | 9-40565-10-0-1 |
| Salamander Streamline | 251 020 | 250 220 | 13,0 | 20/0° | | 6-31067-04-0-1 | 9-38634-00-0-1 | 9-40260-00-0-1 | K-17139-00-0-1 | | 9-40466-00-0-1 | 9-39790-00-0-1 | 9-40565-10-0-1 |
| Salamander Universal | 201 020 | 200 020 | 9,0 | 20/0° | | 6-27674-08-0-1 | 9-31750-00-0-1 | G-13261-00-* -1 | 6-30510-00-0-1 | 9-34861-00-0-1 | 9-40471-00-0-1 | 9-38950-00-0-1 | |
| Salamander Universal | 201 030 | 200 020 | 9,0 | 20/0° | | 6-27674-08-0-1 | 9-31750-00-0-1 | | 6-30510-00-0-1 | | 9-40471-00-0-1 | 9-38950-00-0-1 | |
| Schüco AS | 700101 | 701301 | 8,2 | 20/5° | | 6-27674-18-0-1 | 9-30627-00-0-1 | | K-14739-00-0-1 | | | | |
| Schüco Corona AS 60 | 8105 | 8101 | 13,0 | 20/0° | | 6-27831-08-0-1 | 9-38218-00-0-1 | 9-38758-00-0-1 | 6-30509-00-0-1 | | 9-40065-00-0-1 | 9-39530-01-0-1 | |
| Schüco Corona CT 70 | 8586 | 8597 | 13,0 | 20/0° | | 6-27831-25-0-1 | 9-38218-00-0-1 | 9-36320-00-0-1 | K-17118-00-0-1 | | 9-40066-00-0-1 | 9-39530-00-0-1 | 9-40866-00-0-1 |
| Schüco M+A | 717903 | 726703 | 8,2 | 20/5° | | 6-27674-27-0-1 | 9-30627-00-0-1 | | K-14739-00-0-1 | | | | |
| Selecta (GEWE) | GM 8503 | GM 2401 | 9,0 | 18/0° | | 6-27674-07-0-1 | E-13534-11-0-1 | | G-11949-So-0-1 | | | | |
| Stöckel Ecostep | 2260 | 2111 | 13,0 | | | 6-27831-21-0-1 | 9-37730-00-0-1 | | 9-40400-00-0-1 | | | | |
| Thermoplast | AP024 | AP021 | 9,0 | 20/0° | | 6-27674-46-0-1 | 9-37790-00-0-1 | | | | | | |
| Thermoplast | AP302 | AP301 | 13,0 | 20/0° | | 6-27831-05-0-1 | 9-34907-00-0-1 | | | | | | |
| Thyssen AD | Z 10 | L 10 | 13,0 | 21/0° | | 6-27831-03-0-1 | 9-34492-00-0-1 | G-13261-00-* -1 | 6-29892-00-0-1 | 9-30081-00-0-1 | 9-40467-00-0-1 | 9-39651-00-0-1 | 9-40565-09-0-1 |
| Thyssen Elite | Z 710 | L 710 | 13,0 | 20/0° | | 6-27831-03-0-1 | 9-34492-00-0-1 | | 6-29892-00-0-1 | 9-30081-00-0-1 | 9-40467-00-0-1 | 9-39651-00-0-1 | 9-40565-09-0-1 |
| Thyssen MD | ZM 1-4 | LM 10 | 9,0 | 21/0° | | 6-27674-09-0-1 | 9-31755-00-0-1 | | | | 9-40467-00-0-1 | | |
| Thyssen MD 100 | ZM 200 | LM 200 | 13,0 | 21/0° | | 6-27831-03-0-1 | 9-34492-00-0-1 | G-13261-00-* -1 | 6-29892-00-0-1 | 9-30081-00-0-1 | | 9-39651-00-0-1 | 9-40565-09-0-1 |
| Thyssen MD 100 | ZM 100 | LM 100 | 13,0 | 21/0° | | 6-27831-03-0-1 | 9-34492-00-0-1 | G-13261-00-* -1 | 6-29892-00-0-1 | 9-30081-00-0-1 | | 9-39651-00-0-1 | 9-40565-09-0-1 |
| Thyssen Prestige | Z 184 | L 176 | 13,0 | 21/0° | | 6-27831-03-0-1 | 9-34492-00-0-1 | | 6-29892-00-0-1 | 9-30081-00-0-1 | 9-40467-00-0-1 | 9-39651-00-0-1 | 9-40565-09-0-1 |
| Veka Softline AD | 103.197 | 101.086 | 13,0 | 20/0° | | 6-27831-06-0-1 | 9-42972-00-0-1 | 9-40025-00-0-1 | K-17118-00-0-1 | | 9-40465-00-0-1 | 9-39530-00-0-1 | 9-40866-00-0-1 |
| Veka Softline AD | 103.105 | 101.085 | 9,0 | 20/0° | | 6-27674-46-0-1 | 9-34202-00-0-1 | 9-39277-00-0-1 | 6-29922-00-0-1 | | 9-40464-00-0-1 | 9-38156-00-0-1 | 9-40871-04-0-1 |
| Veka Softline AD | 103.100 | 101.086 | 9,0 | 20/0° | | 6-27674-46-0-1 | 9-34202-00-0-1 | 9-39277-00-0-1 | 6-29922-00-0-1 | | 9-40464-00-0-1 | 9-38156-00-0-1 | 9-40871-04-0-1 |
| Veka Softline MD | 103.117 | 101.098 | 9,0 | 20/0° | | 6-27674-46-0-1 | 9-34202-00-0-1 | 9-39277-00-0-1 | 6-29922-00-0-1 | | 9-40464-00-0-1 | 9-38156-00-0-1 | 9-40871-04-0-1 |
| Veka Topline AD | 103.200 | 101.200 | 13,0 | 20/0° | | 6-31067-05-0-1 | 9-42972-00-0-1 | 9-40025-00-0-1 | K-17118-00-0-1 | | 9-40465-00-0-1 | 9-39530-00-0-1 | 9-40866-00-0-1 |
| Veka Topline MD | 103.220 | 101.220 | 13,0 | 20/0° | | 6-27831-06-0-1 | 9-42972-00-0-1 | 9-40025-00-0-1 | K-17118-00-0-1 | | 9-40465-00-0-1 | 9-39530-00-0-1 | 9-40866-00-0-1 |
| Weltplast | 552000 | 550000 | 9,0 | | | 6-27674-60-0-1 | 9-41364-00-0-1 | | 6-29892-00-0-1 | 9-41595-00-0-1 | 9-41457-00-0-1 | | |
| Winsa | 1102 | 1101 | 13,0 | 20/0° | | 6-27831-53-0-1 | 9-38115-00-0-1 | | | | | | |
| Wymar 2000 | P 2204 | P 2008 | 13,0 | 20/0° | | 6-27831-11-0-1 | 9-35737-00-0-1 | G-13261-00-* -1 | 6-29892-00-0-1 | E-18310-00-0-1 | 9-40475-00-0-1 | | |
| Wymar 2500 | | | 13,0 | 20/0° | | 6-27831-42-0-1 | E-19550-32-0-1 | | K-17118-00-0-1 | | 9-42662-00-0-1 | 9-42663-00-0-1 | |
| Wymar 3000 | 3200 | 3000 | 13,0 | 20/10° | | 6-27831-45-0-1 | 9-41839-00-0-1 | | 6-30509-00-0-1 | | 9-41864-00-0-1 | | 9-41866-00-0-1 |

[1] = Packing for locking plate with mushroom pin, locking plate IS, tilt-locking plate KD, door catches and tilt stay

for burglary-resistant single-sash windows and patio doors – Ahs "Standard", Ahs "Extra" and WK 2

| PVC Profile systems | Sash profile | Frame profile | Groove pos. mm | Sash overlap mm/° | | Locking plate Se (Steel) PU = 100 | Locking plate Ahs (Zinc) PU = 100 | Anti-lift security device PU = 100 | |
|------------------------------|--------------|---------------|----------------|-------------------|--|--------------------------------------|--------------------------------------|---------------------------------------|--|
| Accord Contour 7.0 MD | | A.RA 12 | 13,0 | 20/0° | | 6-27831-05-0-1 | 9-39847-00-0-1 | 9-36099-05-0-1 | |
| Actual A 600 | | | 13,0 | 20/0° | | 6-27831-26-0-1 | | | |
| Actual System 400 (Panorama) | | | 9,0 | 20/0° | | 6-27674-51-0-1 | | | |
| Actual System 500 | | | 9,0 | 20/0° | | 6-27674-52-0-1 | | | |
| Alphacan Class | MB 00 G | MT 00 B | 13,0 | 20/0° | | 6-27831-46-0-1 | | | |
| Alphacan Fersina Diplomat | ZOMI | ELMI | 9,1 | 21/0° | | 6-27674-30-0-1 | | 9-35995-30-0-1 | |
| Alphacan Fersina Master | ZOM | ELA | 9,4 | 21,7/0° | | 6-27674-31-0-1 | 9-42580-00-0-1 | | |
| Alphacan Profilia 600 | PF 096 | PF 090 | 9,0 | 20/0° | | 6-27674-07-0-1 | | | |
| Alphacan Profilia MD 600 | PE 611 | PE 602 | 13,0 | 20/0° | | 6-27831-10-0-1 | 9-42581-00-0-1 | 9-36099-10-0-1 | |
| Aluplast Ideal 2000 | 120022 | 120002 | 13,0 | 20/5° | | 6-27831-05-0-1 | 9-39847-00-0-1 | 9-36099-05-0-1 | |
| Aluplast Ideal 3000 | 130023 | 130002 | 13,0 | 20/5° | | 6-27831-05-0-1 | 9-39847-00-0-1 | 9-36099-05-0-1 | |
| Aluplast Ideal 4000 | 140025 | 140002 | 13,0 | 20/0° | | 6-31067-01-0-1 | | 9-36099-08-0-1 | |
| Aluplast Ideal 5000 | 150025 | 150002 | 13,0 | 20/0° | | 6-27831-08-0-1 | 9-41531-00-0-1 | 9-36099-08-0-1 | |
| Aluplast Ideal 6000 | 160025 | 160013 | 13,0 | 20/0° | | 6-27831-08-0-1 | 9-41531-00-0-1 | 9-36099-08-0-1 | |
| Aluplast Signum 21 | 70 | 71 | 9,0 | 20/0° | | 6-27674-17-0-1 | | 9-35995-17-0-1 | |
| Aluplast Signum 25 | 2539 | 2534 | 13,0 | 20/0° | | 6-27831-02-0-1 | | 9-36099-02-0-1 | |
| Aluplast Signum 26 | 2610 | 2601 | 13,0 | 20/0° | | 6-27831-48-0-1 | | | |
| Atrya (Tryba) E 58 | Z 74 | L 65 | 9,0 | 20/5° | | 6-27674-22-0-1 | | | |
| Atrya (Tryba) T 58 | Z 76J | L 66/3J | 13,1 | 20/5° | | 6-27831-06-0-1 | | 9-36099-06-0-1 | |
| Atrya (Tryba) T 58/3 | Z 76/3J | L 66/3J | 13,1 | 20/5° | | 6-27831-06-0-1 | | 9-36099-06-0-1 | |
| Brüggmann 81 | HF 403 | HF 431 | 9,0 | 20/0° | | 6-27674-04-0-1 | 9-42582-00-0-1 | 9-35995-04-0-1 | |
| Brüggmann AD | HP 152 | HP 102 | 13,0 | 20/0° | | 6-27831-05-0-1 | 9-39847-00-0-1 | 9-36099-05-0-1 | |
| Brüggmann Euro 92 | HF 952 | HF 960 | 9,0 | 20/0° | | 6-27674-03-0-1 | 9-41535-00-0-1 | 9-35995-03-0-1 | |
| Brüggmann MD | HP 252 | HP 202 | 13,0 | 20/0° | | 6-27831-05-0-1 | 9-39847-00-0-1 | 9-36099-05-0-1 | |
| Deceuninck 1800 | P 1807 | P 1801 | 8,7 | 21/0° | | 6-27674-14-0-1 | | | |
| Deceuninck Mondial | P 2021 | P 2000 | 13,0 | 21/0° | | 6-27831-31-0-1 | 9-42583-00-0-1 | 9-36099-09-0-1 | |
| Deceuninck Mondial | P 2105 | P 2100 | 13,0 | 21/0° | | 6-27831-31-0-1 | 9-42583-00-0-1 | 9-36099-09-0-1 | |
| Deceuninck Zendow | | | 13,0 | 20/5° | | 6-27831-47-0-1 | 9-41825-00-0-1 | | |
| Dimex Komfort | | | 13,0 | 20/0° | | 6-27831-08-0-1 | 9-41531-00-0-1 | 9-36099-08-0-1 | |
| Edil Serie Oslo | P 1302 | P 1020 | 13,0 | 20/0° | | 6-27674-02-0-1 | | | |
| Egeplast | | | 9,0 | 20/5° | | 6-27674-53-0-1 | | | |
| Egeprofil (Türkei) | | | 9,0 | 21/5° | | 6-27674-54-0-1 | | | |
| Fapes | | | 9,0 | 22/0° | | 6-27674-55-0-1 | | | |
| Gealan S 3000 | 3090 | 3008 | 13,0 | 20/0° | | 6-27831-04-0-1 | 9-39155-00-0-1 | 9-36099-04-0-1 | |
| Gealan S 6000 | 6093 | 6008 | 13,0 | 20/0° | | 6-27831-22-0-1 | 9-41536-00-0-1 | | |
| Gealan S 7000 IQ | 7093 | 7008 | 13,0 | 20/0° | | 6-31067-02-0-1 | 9-39155-00-0-1 | 9-36099-04-0-1 | |
| Gealan S 8000 IQ | 8066 | 8008 | 13,0 | 20/0° | | 6-31067-02-0-1 | 9-39155-00-0-1 | 9-36099-04-0-1 | |

Locking plates and anti-lift security devices



for burglary-resistant single-sash windows and patio doors – Ahs "Standard", Ahs "Extra" and WK 2

| PVC Profile systems | Sash profile | Frame profile | Groove pos. mm | Sash overlap mm/° | | Locking plate Se (Steel) PU = 100 | Locking plate Ahs (Zinc) PU = 100 | Anti-lift security device PU = 100 | |
|----------------------------|--------------|---------------|----------------|-------------------|--|--------------------------------------|--------------------------------------|---------------------------------------|--|
| Gromathic System AD 3100 | GM 3101 | GM 3108 | 9,0 | 20/0° | | 6-27674-18-0-1 | | 9-35995-18-0-1 | |
| Gromathic System MD 3000 | GM 3001 | GM 3008 | 9,0 | 20/0° | | 6-27674-24-0-1 | | 9-35995-99-0-1 | |
| Hocoplast H 120 | 120-86 | 100-68 | 9,0 | 20/5° | | 6-27674-19-0-1 | | 9-35995-19-0-1 | |
| Home | F 84 | B 80 | 9,0 | 20/6° | | 6-27674-04-0-1 | | 9-35995-04-0-1 | |
| HT-Troplast Innonova 2000 | 520100 | 510100 | 13,0 | 20/0° | | 6-27674-42-0-1 | 9-41717-00-0-1 | 9-41682-00-0-1 | |
| HT-Troplast Innonova 70 AD | | | 13,0 | 20/0° | | 6-27831-40-0-1 | 9-42809-00-0-1 | | |
| HT-Troplast Innonova 70 MD | 520600 | 510300 | 13,0 | 20/0° | | 6-27831-40-0-1 | 9-42809-00-0-1 | | |
| HT-Troplast Trocal 900 | 920200 | 910700 | 9,0 | 20/0° | | 6-27674-07-0-1 | 9-42587-00-0-1 | 9-35995-07-0-1 | |
| HT-Troplast Trocal Confort | 120 400 | 110 100 | 13,0 | 20/0° | | 6-27831-40-0-1 | 9-42809-00-0-1 | 9-36099-40-0-1 | |
| Ital Plastick | 07073ZE | 07073EL | 10,0 | 20/0° | | 6-27674-56-0-1 | | | |
| KBE AD | 318 | 306 | 9,0 | 20/2,5° | | 6-27674-05-0-1 | 9-41533-00-0-1 | 9-35995-05-0-1 | |
| KBE AD 70 | 375 | 370 | 13,0 | 20/0° | | 6-31067-03-0-1 | 9-41825-00-0-1 | 9-40031-00-0-1 | |
| KBE MD | 112 | 100 | 9,0 | 20/4° | | 6-27674-21-0-1 | | 9-35995-21-0-1 | |
| Kö-EuroFutur Classic | 2411 | 2401 | 12,9 | 20/4° | | 6-27831-01-0-1 | 9-41530-00-0-1 | 9-36099-01-0-1 | |
| Kö-EuroFutur Elegance | 111 | 101 | 12,9 | 20/4° | | 6-27831-01-0-1 | 9-41530-00-0-1 | 9-36099-01-0-1 | |
| Kö-Gold | 1463 | 1461 | 12,9 | 20/4° | | 6-27831-56-0-1 | | 9-40031-00-0-1 | |
| LB-Profile Concept | CZ2-5 | CL2-5 | 13,0 | 20/0° | | 6-27831-16-0-1 | | 9-36099-16-0-1 | |
| LB-Profile Concept | CZ2-5 | CLM2-5-C | 13,0 | 20/0° | | 6-27831-16-0-1 | | 9-36099-16-0-1 | |
| Panorama 3000 | | | 13,0 | 20/0° | | 6-27831-So-0-1 | | | |
| Plastival PF 5900 | | | 13,0 | 20/7° | | 6-27831-49-0-1 | | | |
| Plustec 3K-System AD | FR 60 B | BR 76 | 13,0 | 20/5° | | 6-31067-06-0-1 | | 9-36099-02-0-1 | |
| Primo 400 | | | 9,0 | 20/12° | | 6-27831-50-0-1 | | | |
| Primo 4000 | | | 13,0 | | | 6-27831-50-0-1 | | | |
| Profel | | | 9,0 | 20/0° | | 6-27674-57-0-1 | | | |
| Pural | P 005 | P 010 | 9,0 | 18/0° | | 6-27674-45-0-1 | | 9-35995-45-0-1 | |
| Pural | P 009 | P 002 | 9,0 | 18/0° | | 6-27674-45-0-1 | | 9-35995-45-0-1 | |
| Rehau S 711 | 551 020 | 551 150 | 9,0 | 20/0° | | 6-27674-12-0-1 | | | |
| Rehau S 730 | 541 010 | 541 060 | 13,0 | 20/0° | | 6-31067-07-0-1 | 9-42592-00-0-1 | 9-36099-02-0-1 | |
| Rehau S 780 | 634 153 | 634 133 | 9,0 | 18/0° | | 6-27674-13-0-1 | | | |
| Roplasto 4K-System | 220200 | 210200 | 13,0 | 22/0° | | 6-31067-03-0-1 | | 9-36099-02-0-1 | |
| Roplasto 6001 Plus S-AD | 641300 | 619003 | 9,0 | 20/0° | | 6-27674-20-0-1 | 9-42584-00-0-1 | 9-35995-20-0-1 | |
| Roplasto 6001 Plus S-AD | | | 9,0 | 20/0° | | 6-27674-20-0-1 | 9-42584-00-0-1 | 9-35995-20-0-1 | |
| Roplasto 6001 Plus S-MD | 641300 | 610102 | 9,0 | 20/0° | | 6-27674-59-0-1 | | | |
| Roplasto 6001 Plus S-MD | | | 9,0 | 20/0° | | 6-27674-59-0-1 | | | |
| Roplasto 7001 | 220204 | 210804 | 13,0 | 22/0° | | 6-31067-03-0-1 | | 9-36099-02-0-1 | |
| Salamander Design 2D | 211 025 | 210 020 | 13,0 | 20/0° | | 6-27831-30-0-1 | 9-42593-00-0-1 | 9-36099-22-0-1 | |
| Salamander Design 3D | 211 220 | 110 220 | 13,0 | 20/14° | | 6-31067-04-0-1 | 9-41532-00-0-1 | 9-36099-22-0-1 | |

for burglary-resistant single-sash windows and patio doors – Ahs "Standard", Ahs "Extra" and WK 2

| PVC Profile systems | Sash profile | Frame profile | Groove pos. mm | Sash overlap mm/° | | Locking plate Se (Steel) PU = 100 | Locking plate Ahs (Zinc) PU = 100 | Anti-lift security device PU = 100 | |
|-----------------------|--------------|---------------|----------------|-------------------|--|--------------------------------------|--------------------------------------|---------------------------------------|--|
| Salamander Design MD | 111 026 | 110 036 | 13,0 | 20/0° | | 6-27831-30-0-1 | 9-42593-00-0-1 | 9-36099-22-0-1 | |
| Salamander Streamline | 251 020 | 250 220 | 13,0 | 20/0° | | 6-31067-04-0-1 | 9-41532-00-0-1 | 9-36099-22-0-1 | |
| Salamander Universal | 201 030 | 200 020 | 9,0 | 20/0° | | 6-27674-08-0-1 | | 9-35995-08-0-1 | |
| Salamander Universal | | | 9,0 | 20/0° | | 6-27674-08-0-1 | | 9-35995-08-0-1 | |
| Schüco AS | 700100 | 702100 | 8,2 | 20/5° | | 6-27674-18-0-1 | | 9-35995-18-0-1 | |
| Schüco Corona AS 60 | 8105 | 8101 | 13,0 | 20/0° | | 6-27831-08-0-1 | 9-41531-00-0-1 | 9-36099-08-0-1 | |
| Schüco Corona CT 70 | 8516 | 8501 | 13,0 | 20/0° | | 6-27831-25-0-1 | | 9-36099-16-0-1 | |
| Schüco M+A | 717700 | 726700 | 8,2 | 20/5° | | 6-27674-27-0-1 | 9-40072-00-0-1 | 9-35995-27-0-1 | |
| Selecta (GEWE) | BS 100 | NS 100J | 9,0 | 18/0° | | 6-27674-07-0-1 | | 9-35995-07-0-1 | |
| Stöckel Ecostep | 2260 | 2111 | 13,0 | | | 6-27831-21-0-1 | | 9-36099-21-0-1 | |
| Thermoplast | AP024 | AP021 | 9,0 | 20/0° | | 6-27674-46-0-1 | 9-39848-00-0-1 | 9-35995-46-0-1 | |
| Thermoplast | AP304 | AP301 | 13,0 | 20/0° | | 6-27831-05-0-1 | 9-39847-00-0-1 | 9-36099-05-0-1 | |
| Thyssen AD | Z 10 | L 10 | 13,0 | 21/0° | | 6-27831-03-0-1 | 9-41534-00-0-1 | 9-36099-03-0-1 | |
| Thyssen Elite | | | 13,0 | 20/0° | | 6-27831-03-0-1 | 9-41534-00-0-1 | 9-36099-03-0-1 | |
| Thyssen MD | ZM 1-4 | LM 10 | 9,0 | 21/0° | | 6-27674-09-0-1 | | 9-35995-09-0-1 | |
| Thyssen MD 100 | ZM 200 | LM 200 | 13,0 | 21/0° | | 6-27831-03-0-1 | 9-41534-00-0-1 | 9-36099-03-0-1 | |
| Thyssen MD 100 | | | 13,0 | 21/0° | | 6-27831-03-0-1 | 9-41534-00-0-1 | 9-36099-03-0-1 | |
| Thyssen Prestige | | | 13,0 | 21/0° | | 6-27831-03-0-1 | 9-41534-00-0-1 | 9-36099-03-0-1 | |
| Veka Softline AD | 103.197 | 101.086 | 13,0 | 20/0° | | 6-27831-06-0-1 | 9-43348-00-0-1 | | |
| Veka Softline AD | 103.104 | 101.085 | 9,0 | 20/0° | | 6-27674-46-0-1 | 9-39848-00-0-1 | 9-35995-46-0-1 | |
| Veka Softline AD | | | 9,0 | 20/0° | | 6-27674-46-0-1 | 9-39848-00-0-1 | 9-35995-46-0-1 | |
| Veka Softline MD | 103.116 | 101.098 | 9,0 | 20/0° | | 6-27674-46-0-1 | 9-39848-00-0-1 | 9-35995-46-0-1 | |
| Veka Topline AD | 103.200 | 101.200 | 13,0 | 20/0° | | 6-31067-05-0-1 | 9-42586-00-0-1 | 9-36099-05-0-1 | |
| Veka Topline MD | 103.220 | 101.220 | 13,0 | 20/0° | | 6-27831-06-0-1 | 9-42586-00-0-1 | 9-36099-05-0-1 | |
| Weltplast | | | 9,0 | | | 6-27674-60-0-1 | | | |
| Winsa | | | 13,0 | 20/0° | | 6-27831-53-0-1 | | | |
| Wymar 2000 | 2205 | 2003 | 13,0 | 20/0° | | 6-27831-11-0-1 | | | |
| Wymar 2500 | | | 13,0 | 20/0° | | 6-27831-42-0-1 | 9-42660-00-0-1 | | |
| Wymar 3000 | 3200 | 3000 | 13,0 | 20/10° | | 6-27831-45-0-1 | 9-41746-00-0-1 | | |

Locking plates, rebate shoot bolts and packings



for burglary-resistant double-sash windows and patio doors without mullion – "Basic security"

| PVC Profile systems | Sash profile | Frame profile | False mullion | Groove pos. mm | Sash overlap mm/° | Locking plate on frame PU = 100 | Locking plate inactive sash PU = 100 | Rebate lever | Packing rebate shoot bolt PU = 100 |
|---------------------------|--------------|---------------|---------------|----------------|-------------------|---------------------------------|--------------------------------------|--------------|------------------------------------|
| Accord | 503002 | 503001 | 503228 | 9,0 | 19/0° | 9-34325-00-0-1 | 9-30146-01-0-1 | ZK | |
| Accord Contour 7.0 MD | A.FL 02 | A.RA 03 | A.ST 01 | 13,0 | 20/0° | 9-38620-00-0-1 | E-13534-12-0-1 | | |
| Actual A 600 | | | | 13,0 | 20/0° | 9-39614-00-0-1 | | | |
| Alphacan Class | MB 00 G | MT 00 B | MS 75 B | 13,0 | 20/0° | 9-41977-00-0-1 | E-13534-12-0-1 | | |
| Alphacan Fersina Diplomat | ZOMI | ELMI | DUEB | 9,1 | 21/0° | 9-36886-00-0-1 | 9-30146-05-0-1 | | |
| Alphacan Fersina Master | ZOM 01 | ELA 02 | TAO 00 | 9,4 | 21,7/0° | 9-36886-00-0-1 | 9-30146-05-0-1 | ZK | 9-32035-05-0-1 |
| Aluplast Ideal 2000 | 120022 | 120002 | 120204 | 13,0 | 20/5° | 9-34907-00-0-1 | E-13534-12-0-1 | ZH | |
| Aluplast Ideal 4000 | 140025 | 140002 | 140066 | 13,0 | 20/0° | 9-38218-00-0-1 | E-13534-12-0-1 | ZH | |
| Aluplast Ideal 5000 | 140020 | 140001 | 140250 | 13,0 | 20/0° | 9-38218-00-0-1 | E-13534-12-0-1 | ZH | |
| Aluplast Signum 21 | 70 | 71 | 4143 | 9,0 | 20/0° | 9-30146-04-0-1 | 9-30256-00-0-1 | ZH | |
| Aluplast Signum 25 | 2539 | 2534 | 2550 | 13,0 | 20/0° | 9-35770-00-0-1 | E-13534-12-0-1 | ZH | |
| Aluplast Signum 26 | 2610 | 2601 | 2630 | 13,0 | 20/0° | 9-34907-00-0-1 | E-13534-12-0-1 | ZH | |
| Atrya (Tryba) E 58 | Z 74 | L 65 | T 32 | 9,0 | 20/5° | E-16069-00-0-1 | 9-30256-00-0-1 | ZH | |
| Atrya (Tryba) T 58 | AZ 76 | L 65 | | 13,1 | 20/5° | E-18949-00-0-1 | 9-30256-00-0-1 | ZH | |
| Atrya (Tryba) T 62 | BS 100 | NS 100 | MC 100 | 9,0 | 20/5° | E-16237-00-0-1 | E-16237-00-0-1 | | |
| Brüggmann 81 | HF 410 | HF 431 | HF 438 | 9,0 | 20/0° | 9-32616-00-0-1 | 9-30735-00-0-1 | ZH | |
| Brüggmann AD | HP 152 | HP 102 | HP 350 | 13,0 | 20/0° | 9-34907-00-0-1 | E-13534-12-0-1 | ZH | |
| Brüggmann Euro 92 | HF 952 | HF 941 | ZF 983 | 9,0 | 20/0° | 9-35745-00-0-1 | 9-35745-00-0-1 | ZK | |
| Brüggmann MD | HP 252 | HP 202 | HP 451 | 13,0 | 20/0° | 9-34907-00-0-1 | E-13534-12-0-1 | ZH | |
| Deceuninck 1800 | P 1806 | P 1801 | P 400 | 8,7 | 21/0° | 9-36544-00-0-1 | E-13534-12-0-1 | ZH | |
| Deceuninck Mondial | P 2020 | P 2000 | P 2040 | 13,0 | 21/0° | 9-35737-00-0-1 | E-13534-12-0-1 | ZH | |
| Deceuninck Mondial | P 2105 | P 2100 | P 2045 | 13,0 | 21/0° | 9-35737-00-0-1 | E-13534-12-0-1 | ZH | |
| Dimex Komfort | | | | 13,0 | 20/0° | 9-34907-00-0-1 | E-13534-12-0-1 | | |
| Dimex Super | 7750 | | 8510 | 9,0 | 20/0° | 9-34202-00-0-1 | 9-30627-00-0-1 | ZK | |
| Dongsan (Korea) | 1616 | 1604 | 1640 | 13,0 | | 9-33802-00-0-1 | E-13534-12-0-1 | ZH | |
| Edil Serie Oslo | P 1579 | P 1590 | P 1584 | 13,0 | 20/0° | 9-38307-00-0-1 | E-13534-12-0-1 | ZH | |
| Egeprofil-Türkei | | | | 9,0 | 21/5° | 9-33271-00-0-1 | E-13534-12-0-1 | ZH | |
| Europlast 7000 | R 7011 | R 7001 | | 9,0 | 21,2/0° | 9-30146-09-0-1 | 9-30146-09-0-1 | ZK | |
| Fapes | 82 | 81 | 85 | 9,0 | 22/0° | 9-39511-00-0-1 | E-13534-12-0-1 | ZH | |
| Gealan S 3000 | 3090 | 3008 | 3080 | 13,0 | 20/0° | 9-35858-00-0-1 | E-13534-12-0-1 | ZH | |
| Gealan S 3000 | 3090 | 3008 | 3301 | | | 9-35858-00-0-1 | 9-35858-00-0-1 | ZK | |
| Gealan S 6000 | 6093 | 6008 | 6051 | 13,0 | 20/0° | 9-37885-00-0-1 | E-13534-12-0-1 | ZH | |
| Gealan S 7000 IQ | 7093 | 7008 | 7302 | 13,0 | 20/0° | 9-35858-00-0-1 | E-13534-12-0-1 | ZH | |
| Gealan S 7000 IQ | 7093 | 7008 | 7303 | | | 9-35858-00-0-1 | 9-35858-00-0-1 | ZK | |
| Gealan S 8000 | 8066 | 8008 | 8080 | 13,0 | 20/0° | 9-35858-00-0-1 | E-13534-12-0-1 | ZH | |
| Gromathic System AD 3100 | GM 3101 | GM 3108 | GM 3114 | 9,0 | 20/0° | 9-34202-00-0-1 | | ZK | 9-32035-03-0-1 |
| Gromathic System MD 3000 | GM 3001 | GM 3008 | GM 3004 | 9,0 | 20/0° | 9-34202-00-0-1 | 9-34202-00-0-1 | | |

for burglary-resistant double-sash windows and patio doors without mullion – "Basic security"

| PVC Profile systems | Sash profile | Frame profile | False mullion | Groove pos. mm | Sash overlap mm/° | | Locking plate on frame PU = 100 | Locking plate inactive sash PU = 100 | Rebate lever | Packing rebate shoot bolt PU = 100 | |
|-----------------------------|--------------|---------------|---------------|----------------|-------------------|--|---------------------------------|--------------------------------------|--------------|------------------------------------|--|
| Hocoplast H 120 | 120-86 | 100-68 | 100-42 | 9,0 | 20/5° | | E-11968-00-0-1 | E-13534-12-0-1 | ZH | | |
| HT-Troplast Innonova 2000 | 520100 | 510100 | 532100 | 13,0 | 20/0° | | 9-41716-00-0-1 | E-13534-12-0-1 | ZH | | |
| HT-Troplast Trocal 900 | 920600 | 910100 | 935100 | 9,0 | 20/0° | | 9-30806-00-0-1 | 9-30806-00-0-1 | | | |
| HT-Troplast Trocal 900 | 920100 | 910100 | 935300 | | | | 9-30806-00-0-1 | 9-30256-00-0-1 | ZH | | |
| HT-Troplast Trocal Confort | 120400 | 111000 | 130900 | 13,0 | 20/0° | | 9-37137-00-0-1 | E-13534-12-0-1 | ZH | | |
| Internorm | IF | LS | | 9,0 | 20/0° | | 9-30146-01-0-1 | E-13534-12-0-1 | | | |
| Intertec (Greiner) | GF 1020 | GR 1001 | GS 1050 | 9,0 | 20/0° | | E-14339-00-0-1 | E14339-00-0-1 | ZK | | |
| Intertec WD 70 (Greiner) | 140001 | 140020 | 140050 | 13,0 | 20/0° | | 9-38634-00-0-1 | E-13534-12-0-1 | ZH | | |
| Ital Plastick | 07073ZE | 07073EL | 07073TC | 10,0 | 20/0° | | 9-30146-04-0-1 | 9-30146-04-0-1 | ZK | | |
| KBE AD | 318 | 306 | 134 | 9,0 | 20/2,5° | | 9-31115-00-0-1 | 9-31115-00-0-1 | ZK | 9-32035-04-0-1 | |
| KBE AD | 318 | 306 | 734 | | | | 9-31115-00-0-1 | E-13534-12-0-1 | ZH | | |
| KBE AD | 317 | 306 | 134 neu | | | | 9-31115-00-0-1 | E-13534-12-0-1 | ZH | | |
| KBE AD 70 | 375 | 370 | 385 | 13,0 | 20/0° | | 9-35508-00-0-1 | E-13534-12-0-1 | ZH | | |
| KBE MD | 113 | 100 | 133 | 9,0 | 20/4° | | 9-33663-00-0-1 | E-13534-12-0-1 | | | |
| KBE MD | 113 | 100 | 731 | | | | 9-33663-00-0-1 | 9-30256-00-0-1 | ZH | | |
| Kö-Dina (Spanien) | 1753 | 1750 | 1755 | 12,9 | 20/4° | | 9-33802-00-0-1 | 8-00975-00-0-1 | | | |
| Kö-EuroFutur Classic | 2411 | 2401 | 2441 | 12,9 | 20/4° | | 9-33802-00-0-1 | 9-30748-05-0-1 | ZH | | |
| Kö-EuroFutur Elegance | 111 | 101 | 141 | 12,9 | 20/4° | | 9-33802-00-0-1 | 9-30748-05-0-1 | ZH | | |
| Kö-Gold | 1463 | 1461 | 1440 | 12,9 | 20/4° | | 9-35508-00-0-1 | 9-30146-11-0-1 | | | |
| Kö-Gold-ausw. | 1482 | 1461 | 1441 | | | | 9-35508-00-0-1 | 9-30146-11-0-1 | | | |
| Kö-Tritec | P 1472 | P 1320 | P 1659 | 8,0 | 20/0° | | E-15321-00-0-1 | E-15321-00-0-1 | | | |
| LB-Profile PAD | AZ 2-3 | AL 1-3 | MSZ-10 | 13,0 | 20/0° | | 9-34907-00-0-1 | E-13534-12-0-1 | ZH | | |
| Milani Resine-Plastalum 100 | SER 125 | SER 126 | SER 149 | 13,0 | 20/0° | | 9-34907-00-0-1 | 9-30146-03-0-1 | ZK | | |
| Plustec | FLR 70 | BLR 80C | ST 61 | 9,0 | 20/5° | | 9-30146-01-0-1 | 9-30146-01-0-1 | ZK | | |
| Plustec 3K-System AD | FR 60 V | BR 66 | ST 61 | 13,0 | 20/5° | | 9-37135-00-0-1 | 9-38319-00-0-1 | | | |
| Primo Serie 400 | P 2379 | P 2297 | P 1899 | 9,0 | 20/12° | | 9-36878-00-0-1 | 9-36878-00-0-1 | | | |
| Pural | P 005 | P 001 | SA/SI | 9,0 | 18/0° | | 9-30146-11-0-1 | E-13534-12-0-1 | | | |
| Rehau S 711 | 551 020 | 551 150 | 551 050 | 9,0 | 20/0° | | E-13685-00-0-1 | E-13685-00-0-1 | ZK | | |
| Rehau S 730 | 541 010 | 541 060 | 541 100 | 13,0 | 20/0° | | 9-35770-00-0-1 | E-13534-12-0-1 | | | |
| Rehau S 780 | 634 153 | 634 133 | 632 913 | 9,0 | 18/0° | | E-14339-00-0-1 | E-14339-00-0-1 | | | |
| Roplasto 4K-System | 220200 | 210200 | 253020 | 13,0 | 22/0° | | 9-35508-00-0-1 | E-13534-12-0-1 | ZH | | |
| Roplasto 6001 Plus S-MD | 641300 | 610102 | 610700 | 9,0 | 20/0° | | E-15061-00-0-1 | E-13534-10-0-1 | ZK | | |
| Salamander Design 2D | 211 025 | 210 020 | 216 020 | 13,0 | 20/0° | | 9-38634-00-0-1 | E-13534-12-0-1 | ZH | | |
| Salamander Design 3D | 211 220 | 110 220 | | 13,0 | 20/14° | | 9-38634-00-0-1 | E-13534-12-0-1 | ZH | | |
| Salamander Design MD | 111 026 | 110 036 | 116 025 | 13,0 | 20/0° | | 9-38634-00-0-1 | E-13534-12-0-1 | ZH | | |
| Salamander Streamline | 251 020 | 250 220 | | 13,0 | 20/0° | | 9-38634-00-0-1 | E-13534-12-0-1 | ZH | | |
| Salamander Universal | 201 020 | 200 020 | 206 030 | 9,0 | 20/0° | | 9-31750-00-0-1 | 9-30146-01-0-1 | ZK | 9-32035-03-0-1 | |

Locking plates, rebate shoot bolts and packings



for burglary-resistant double-sash windows and patio doors without mullion – "Basic security"

| PVC Profile systems | Sash profile | Frame profile | False mullion | Groove pos. mm | Sash overlap mm/° | | Locking plate on frame PU = 100 | Locking plate inactive sash PU = 100 | Rebate lever | Packing rebate shoot bolt PU = 100 | |
|----------------------------|--------------|---------------|---------------|----------------|-------------------|--|---------------------------------|--------------------------------------|--------------|------------------------------------|--|
| Salamander Universal | 201 020 | 200 020 | 206 022 | 9,0 | 20/0° | | 9-31750-00-0-1 | E-13534-12-0-1 | ZH | | |
| Schüco AS | 700100 | 702100 | 718400 | 8,2 | 20/5° | | 9-30627-00-0-1 | 9-30627-00-0-1 | ZK | | |
| Schüco Corona AS 60 | 8105 | 8101 | 8131 | 13,0 | 20/0° | | 9-38218-00-0-1 | E-13534-12-0-1 | ZH | | |
| Schüco Corona CT 70 | 8586 | 8597 | 8574 | 13,0 | 20/0° | | 9-38218-00-0-1 | E-13534-12-0-1 | ZH | | |
| Schüco Corona MD 60 | 8121 | 8116 | 8137 | 13,0 | 20/0° | | 9-38218-00-0-1 | E-13534-12-0-1 | ZH | | |
| Schüco M+A | 717903 | 726703 | 718303 | 8,2 | 20/5° | | 9-30627-00-0-1 | 9-30748-03-0-1 | ZK | | |
| Schüco MF | 717800 | 717600 | 718200 | 9,0 | 20/5° | | 9-30627-00-0-1 | 9-30748-03-0-1 | | | |
| Soprofen Serie T 62 | BM 100 | NS 100 | ME 200 | 9,0 | 18/0° | | E-13534-11-0-1 | E-13534-12-0-1 | | | |
| Spectus Windows | SW 09 | SW 05 | SW 51 | 9,0 | 20/15° | | 9-30146-05-0-1 | 9-30146-05-0-1 | ZK | | |
| Technoplast | | | | 13,0 | 20/0° | | 9-38218-00-0-1 | 9-34542-00-0-1 | | | |
| Thyssen AD | Z 10 | L 10 | SFZ 10 | 13,0 | 21/0° | | 9-34492-00-0-1 | E-13534-12-0-1 | | | |
| Thyssen MD | ZM 1 | LM 10 | SFM 1 | 9,0 | 21/0° | | 9-31755-00-0-1 | E-13534-12-0-1 | ZH | | |
| Veka Artline | 103.210 | 101.210 | 102.211 | | 20/0° | | 9-38250-00-0-1 | 9-30256-00-0-1 | ZH | | |
| Veka Softline AD | 103.197 | 101.086 | 102.196 | 13,0 | 20/0° | | 9-42972-00-0-1 | E-13534-12-0-1 | ZH | | |
| Veka Softline AD | 103.104 | 101.086 | 102.086 | 9,0 | 20/0° | | 9-34202-00-0-1 | 9-34202-00-0-1 | ZK | | |
| Veka Softline AD | 103.102 | 101.085 | 102.118 | 9,0 | 20/0° | | 9-34202-00-0-1 | E-13534-12-0-1 | ZH | | |
| Veka Softline MD | 103.116 | 101.098 | 102.106 | 9,0 | 20/0° | | 9-34202-00-0-1 | 9-30146-11-0-1 | Euro | | |
| Veka Topline AD | 103.200 | 101.200 | 102.206 | 13,0 | 20/0° | | 9-42972-00-0-1 | E-13534-12-0-1 | ZH | | |
| Veka Topline MD | 103.220 | 101.220 | 102.226 | 13,0 | 20/0° | | 9-42972-00-0-1 | E-13534-12-0-1 | ZH | | |
| Weltplast | 552000 | 550000 | 562000 | 9,0 | | | 9-41364-00-0-1 | E-13534-12-0-1 | ZH | | |
| Wymar 2500 | | | | 13,0 | 20/0° | | E-19550-32-0-1 | E-13534-12-0-1 | ZH | | |
| Wymar 3000 | 3200 | 3000 | 3300 | 13,0 | 20/10° | | 9-41839-00-0-1 | E-13534-12-0-1 | ZH | | |

for burglary-resistant double-sash windows and patio doors without mullion in standard version

| PVC Profile systems | Sash profile | Frame profile | False mullion | Groove pos. mm | Sash overlap mm/° | | Locking plate on frame PU = 100 | Locking plate inactive sash PU = 100 | Shoot bolt top PU = 10 | Shoot bolt bottom PU = 10 | Locking plate top/bottom PU = 100 | Packing [1] PU = 100 |
|----------------------------|--------------|---------------|---------------|----------------|-------------------|--|---------------------------------|--------------------------------------|------------------------|---------------------------|-----------------------------------|----------------------|
| Accord | 503002 | 503001 | 503228 | 9,0 | 19/0° | | 9-34325-00-0-1 | 9-30146-01-0-1 | 6-24682-00-0-1 | 6-24681-00-0-1 | E-13144-00-0-1 | |
| Accord Contour 7.0 MD | A.FL 02 | A.RA 03 | A.ST 01 | 13,0 | 20/0° | | 9-38620-00-0-1 | E-13534-12-0-1 | 6-22917-00-0-1 | 6-22916-00-0-1 | 6-29518-00-0-1 | |
| Alphacan Fersina Diplomat | ZOMI | ELMI | DUEB | 9,1 | 21/0° | | 9-36886-00-0-1 | 9-30146-05-0-1 | 6-25170-00-0-1 | 6-25169-00-0-1 | 6-27837-00-0-1 | |
| Alphacan Fersina Master | ZOM 01 | ELA 02 | TAO 00 | 9,4 | 21,7/0° | | 9-36886-00-0-1 | 9-30146-05-0-1 | 6-25416-00-0-1 | 6-25415-00-0-1 | 6-27837-00-0-1 | 9-30081-00-0-1 |
| Aluplast Ideal 2000 | 120022 | 120002 | 120204 | 13,0 | 20/5° | | 9-34907-00-0-1 | E-13534-12-0-1 | 6-22917-00-0-1 | 6-22916-00-0-1 | 9-36227-00-0-1 | |
| Aluplast Ideal 4000 | 140025 | 140002 | 140066 | 13,0 | 20/0° | | 9-38218-00-0-1 | E-13534-12-0-1 | 6-22917-00-0-1 | 6-22916-00-0-1 | 9-36227-00-0-1 | |
| Aluplast Ideal 5000 | 140020 | 140001 | 140250 | 13,0 | 20/0° | | 9-38218-00-0-1 | E-13534-12-0-1 | 6-22917-00-0-1 | 6-22916-00-0-1 | 9-38635-00-0-1 | |
| Aluplast Signum 25 | 2539 | 2534 | 2550 | 13,0 | 20/0° | | 9-35770-00-0-1 | E-13534-12-0-1 | 6-22917-00-0-1 | 6-22916-00-0-1 | 9-35774-00-0-1 | |
| Aluplast Signum 26 | 2610 | 2601 | 2630 | 13,0 | 20/0° | | 9-34907-00-0-1 | E-13534-12-0-1 | 6-22917-00-0-1 | 6-22916-00-0-1 | 9-37907-00-0-1 | |
| Atrya (Tryba) E 58 | Z 74 | L 65 | T 32 | 9,0 | 20/5° | | E-16069-00-0-1 | 9-30256-00-0-1 | 6-22917-00-0-1 | 6-22916-00-0-1 | E-16070-00-0-1 | |
| Atrya (Tryba) T 58 | AZ 76 | L 65 | | 13,1 | 20/5° | | E-18949-00-0-1 | 9-30256-00-0-1 | 6-22917-00-0-1 | 6-22916-00-0-1 | E-18950-00-0-1 | |
| Atrya (Tryba) T 62 | BS 100 | NS 100 | MC 100 | 9,0 | 20/5° | | E-16237-00-0-1 | E-16237-00-0-1 | 6-25170-00-0-1 | 6-25169-00-0-1 | E-14591-00-0-1 | |
| Brüggmann 81 | HF 410 | HF 431 | HF 438 | 9,0 | 20/0° | | 9-32616-00-0-1 | 9-30735-00-0-1 | 6-26321-00-0-1 | 6-26322-00-0-1 | 8-00668-05-0-1 | 9-30082-00-0-1 |
| Brüggmann AD | HP 152 | HP 102 | HP 350 | 13,0 | 20/0° | | 9-34907-00-0-1 | E-13534-12-0-1 | 6-22917-00-0-1 | 6-22916-00-0-1 | 9-36227-00-0-1 | |
| Brüggmann MD | HP 252 | HP 202 | HP 451 | 13,0 | 20/0° | | 9-34907-00-0-1 | E-13534-12-0-1 | 6-22917-00-0-1 | 6-22916-00-0-1 | 9-36227-00-0-1 | |
| Deceuninck 1800 | P 1806 | P 1801 | P 400 | 8,7 | 21/0° | | 9-36544-00-0-1 | E-13534-12-0-1 | 6-22917-00-0-1 | 6-22916-00-0-1 | 8-00668-16-0-1 | |
| Deceuninck Mondial | P 2020 | P 2000 | P 2040 | 13,0 | 21/0° | | 9-35737-00-0-1 | E-13534-12-0-1 | 6-22917-00-0-1 | 6-22916-00-0-1 | 9-35741-00-0-1 | |
| Deceuninck Mondial | P 2105 | P 2100 | P 2045 | 13,0 | 21/0° | | 9-35737-00-0-1 | E-13534-12-0-1 | 6-22917-00-0-1 | 6-22916-00-0-1 | 9-35741-00-0-1 | |
| Dimex Komfort | | | | 13,0 | 20/0° | | 9-34907-00-0-1 | E-13534-12-0-1 | 6-22917-00-0-1 | 6-22916-00-0-1 | E-19222-00-0-1 | |
| Dimex Super | 7750 | | 8510 | 9,0 | 20/0° | | 9-34202-00-0-1 | 9-30627-00-0-1 | 9-35847-00-* -1 | 9-35848-00-* -1 | 8-00668-20-0-1 | |
| Dongsan (Korea) | 1616 | 1604 | 1640 | 13,0 | | | 9-33802-00-0-1 | E-13534-12-0-1 | 6-22917-00-0-1 | 6-22916-00-0-1 | 9-35251-10-0-1 | |
| Edil Serie Oslo | P 1579 | P 1590 | P 1584 | 13,0 | 20/0° | | 9-38307-00-0-1 | E-13534-12-0-1 | 6-22917-00-0-1 | 6-22916-00-0-1 | 6-28333-01-0-1 | |
| Egeprofil-Türkei | | | | 9,0 | 21/5° | | 9-33271-00-0-1 | E-13534-12-0-1 | 6-22917-00-0-1 | 6-22916-00-0-1 | 8-00668-11-0-1 | |
| Fapes | 82 | 81 | 85 | 9,0 | 22/0° | | 9-39511-00-0-1 | E-13534-12-0-1 | 6-22917-00-0-1 | 6-22916-00-0-1 | 6-30053-00-0-1 | |
| Gealan S 3000 | 3090 | 3008 | 3080 | 13,0 | 20/0° | | 9-35858-00-0-1 | E-13534-12-0-1 | 6-22917-00-0-1 | 6-22916-00-0-1 | 8-00668-19-0-1 | |
| Gealan S 3000 | 3090 | 3008 | 3301 | | | | 9-35858-00-0-1 | 9-35858-00-0-1 | 6-24948-00-* -1 | 6-24948-00-* -1 | 8-00668-19-0-1 | |
| Gealan S 6000 | 6093 | 6008 | 6051 | 13,0 | 20/0° | | 9-37885-00-0-1 | E-13534-12-0-1 | 6-22917-00-0-1 | 6-22916-00-0-1 | 9-37907-00-0-1 | |
| Gealan S 7000 IQ | 7093 | 7008 | 7302 | 13,0 | 20/0° | | 9-35858-00-0-1 | E-13534-12-0-1 | 6-22917-00-0-1 | 6-22916-00-0-1 | 8-00668-19-0-1 | |
| Gealan S 7000 IQ | 7093 | 7008 | 7303 | | | | 9-35858-00-0-1 | 9-35858-00-0-1 | 6-24948-00-* -1 | 6-24948-00-* -1 | 8-00668-19-0-1 | |
| Gealan S 8000 | 8066 | 8008 | 8080 | 13,0 | 20/0° | | 9-35858-00-0-1 | E-13534-12-0-1 | 6-22917-00-0-1 | 6-22916-00-0-1 | 8-00668-19-0-1 | |
| Gromathic System AD 3100 | GM 3101 | GM 3108 | GM 3114 | 9,0 | 20/0° | | 9-34202-00-0-1 | | 6-24682-00-0-1 | 6-24681-00-0-1 | 8-00668-10-0-1 | |
| Gromathic System MD 3000 | GM 3001 | GM 3008 | GM 3004 | 9,0 | 20/0° | | 9-34202-00-0-1 | 9-34202-00-0-1 | 6-24387-00-0-1 | 6-24387-00-0-1 | 8-00668-20-0-1 | |
| Hocoplast H 120 | 120-86 | 100-68 | 100-42 | 9,0 | 20/5° | | E-11968-00-0-1 | E-13534-12-0-1 | 6-22917-00-0-1 | 6-22916-00-0-1 | 8-00668-22-0-1 | |
| HT-Troplast Trocal 900 | 920600 | 910100 | 935100 | 9,0 | 20/0° | | 9-30806-00-0-1 | 9-30806-00-0-1 | 6-24682-00-0-1 | 6-24681-00-0-1 | 8-00668-06-0-1 | 9-30084-00-0-1 |
| HT-Troplast Trocal Confort | 120400 | 111000 | 130900 | 13,0 | 20/0° | | 9-37137-00-0-1 | E-13534-12-0-1 | 6-22917-00-0-1 | 6-22916-00-0-1 | 9-37363-00-0-1 | |
| Internorm | IF | LS | | 9,0 | 20/0° | | 9-30146-01-0-1 | E-13534-12-0-1 | 6-22917-00-0-1 | 6-22916-00-0-1 | | |
| Intertec WD 70 (Greiner) | 140001 | 140020 | 140050 | 13,0 | 20/0° | | 9-38634-00-0-1 | E-13534-12-0-1 | 6-22917-00-0-1 | 6-22916-00-0-1 | 9-38635-00-0-1 | |

Locking plates, shoot bolt and packings



for burglary-resistant double-sash windows and patio doors without mullion in standard version

| PVC Profile systems | Sash profile | Frame profile | False mullion | Groove pos. mm | Sash overlap mm/° | Locking plate on frame PU = 100 | Locking plate inactive sash PU = 100 | Shoot bolt top PU = 10 | Shoot bolt bottom PU = 10 | Locking plate top/bottom PU = 100 | Packing [1] PU = 100 |
|-----------------------|--------------|---------------|---------------|----------------|-------------------|---------------------------------|--------------------------------------|------------------------|---------------------------|-----------------------------------|----------------------|
| Ital Plastick | 07073ZE | 07073EL | 07073TC | 10,0 | 20/0° | 9-30146-04-0-1 | 9-30146-04-0-1 | 6-25416-00-0-1 | 6-25415-00-0-1 | 8-00668-04-0-1 | |
| KBE AD | 318 | 306 | 734 | | | 9-31115-00-0-1 | E-13534-12-0-1 | 6-22917-00-0-1 | 6-22916-00-0-1 | 8-00668-16-0-1 | |
| KBE AD | 317 | 306 | 134 neu | | | 9-31115-00-0-1 | E-13534-12-0-1 | 6-22917-00-0-1 | 6-22916-00-0-1 | 8-00668-16-0-1 | |
| KBE AD 70 | 375 | 370 | 385 | 13,0 | 20/0° | 9-35508-00-0-1 | E-13534-12-0-1 | 6-22917-00-0-1 | 6-22916-00-0-1 | 9-35251-10-0-1 | |
| KBE MD | 113 | 100 | 133 | 9,0 | 20/4° | 9-33663-00-0-1 | E-13534-12-0-1 | 6-22917-00-0-1 | 6-22916-00-0-1 | 8-00668-04-0-1 | |
| Kö-Dina (Spanien) | 1753 | 1750 | 1755 | 12,9 | 20/4° | 9-33802-00-0-1 | 8-00975-00-0-1 | 6-26071-01-0-1 | 6-24387-01-0-1 | 9-35251-10-0-1 | |
| Kö-EuroFutur Classic | 2411 | 2401 | 2441 | 12,9 | 20/4° | 9-33802-00-0-1 | 9-30748-05-0-1 | 6-22917-00-0-1 | 6-22916-00-0-1 | 9-35251-10-0-1 | |
| Kö-EuroFutur Elegance | 111 | 101 | 141 | 12,9 | 20/4° | 9-33802-00-0-1 | 9-30748-05-0-1 | 6-22917-00-0-1 | 6-22916-00-0-1 | 9-35251-10-0-1 | |
| Kö-Gold | 1463 | 1461 | 1440 | 12,9 | 20/4° | 9-35508-00-0-1 | 9-30146-11-0-1 | 6-26071-01-0-1 | 6-24387-01-0-1 | 9-35251-10-0-1 | |
| Kö-Gold-ausw. | 1482 | 1461 | 1441 | | | 9-35508-00-0-1 | 9-30146-11-0-1 | 6-26071-01-0-1 | 6-24387-01-0-1 | 9-35251-10-0-1 | |
| Kö-Tritec | P 1472 | P 1320 | P 1659 | 8,0 | 20/0° | E-15321-00-0-1 | E-15321-00-0-1 | 6-26071-02-0-1 | 6-24387-02-0-1 | 9-30650-00-0-1 | |
| LB-Profile PAD | AZ 2-3 | AL 1-3 | MSZ-10 | 13,0 | 20/0° | 9-34907-00-0-1 | E-13534-12-0-1 | 6-22917-00-0-1 | 6-22916-00-0-1 | 9-36227-00-0-1 | |
| Plustec | FLR 70 | BLR 80C | ST 61 | 9,0 | 20/5° | 9-30146-01-0-1 | 9-30146-01-0-1 | 6-24682-00-0-1 | 6-24681-00-0-1 | 8-00668-08-0-1 | 9-30082-00-0-1 |
| Plustec 3K-System AD | FR 60 V | BR 66 | ST 61 | 13,0 | 20/5° | 9-37135-00-0-1 | 9-38319-00-0-1 | 6-26321-00-0-1 | 6-26322-00-0-1 | 9-37515-00-* -1 | |
| Primo Serie 400 | P 2379 | P 2297 | P 1899 | 9,0 | 20/12° | 9-36878-00-0-1 | 9-36878-00-0-1 | 6-25416-00-0-1 | 6-25415-00-0-1 | 8-00668-17-0-1 | |
| Pural | P 005 | P 001 | SA/SI | 9,0 | 18/0° | 9-30146-11-0-1 | E-13534-12-0-1 | 6-22917-00-0-1 | 6-22916-00-0-1 | 8-00668-13-0-1 | |
| Rehau S 711 | 551 020 | 551 150 | 551 050 | 9,0 | 20/0° | E-13685-00-0-1 | E-13685-00-0-1 | 6-26071-So-0-1 | 6-24387-So-0-1 | E-13678-00-0-1 | |
| Rehau S 730 | 541 010 | 541 060 | 541 100 | 13,0 | 20/0° | 9-35770-00-0-1 | E-13534-12-0-1 | 6-22917-00-0-1 | 6-22916-00-0-1 | 9-35774-00-0-1 | |
| Rehau S 780 | 634 153 | 634 133 | 632 913 | 9,0 | 18/0° | E-14339-00-0-1 | E-14339-00-0-1 | 9-35847-00-* -1 | 9-35848-00-* -1 | 8-00668-21-0-1 | |
| Roplasto 4K-System | 220200 | 210200 | 253020 | 13,0 | 22/0° | 9-35508-00-0-1 | E-13534-12-0-1 | 6-22917-00-0-1 | 6-22916-00-0-1 | 9-37505-00-0-1 | |
| Salamander Design 2D | 211 025 | 210 020 | 216 020 | 13,0 | 20/0° | 9-38634-00-0-1 | E-13534-12-0-1 | 6-22917-00-0-1 | 6-22916-00-0-1 | 9-39613-00-0-1 | |
| Salamander Design 3D | 211 220 | 110 220 | | 13,0 | 20/14° | 9-38634-00-0-1 | E-13534-12-0-1 | 6-22917-00-0-1 | 6-22916-00-0-1 | 9-39613-00-0-1 | |
| Salamander Design MD | 111 026 | 110 036 | 116 025 | 13,0 | 20/0° | 9-38634-00-0-1 | E-13534-12-0-1 | 6-22917-00-0-1 | 6-22916-00-0-1 | 9-39613-00-0-1 | |
| Salamander Streamline | 251 020 | 250 220 | | 13,0 | 20/0° | 9-38634-00-0-1 | E-13534-12-0-1 | 6-22917-00-0-1 | 6-22916-00-0-1 | 9-39613-00-0-1 | |
| Salamander Universal | 201 020 | 200 020 | 206 030 | 9,0 | 20/0° | 9-31750-00-0-1 | 9-30146-01-0-1 | 6-24682-00-0-1 | 6-24681-00-0-1 | 6-28333-00-0-1 | |
| Salamander Universal | 201 020 | 200 020 | 206 022 | 9,0 | 20/0° | 9-31750-00-0-1 | E-13534-12-0-1 | 6-22917-00-0-1 | 6-22916-00-0-1 | 8-00668-23-0-1 | |
| Schüco AS | 700100 | 702100 | 718400 | 8,2 | 20/5° | 9-30627-00-0-1 | 9-30627-00-0-1 | 9-35847-00-* -1 | 9-35848-00-* -1 | 8-00668-10-0-1 | |
| Schüco Corona AS 60 | 8105 | 8101 | 8131 | 13,0 | 20/0° | 9-38218-00-0-1 | E-13534-12-0-1 | 6-22917-00-0-1 | 6-22916-00-0-1 | 9-36227-00-0-1 | |
| Schüco Corona CT 70 | 8586 | 8597 | 8574 | 13,0 | 20/0° | 9-38218-00-0-1 | E-13534-12-0-1 | 6-22917-00-0-1 | 6-22916-00-0-1 | 9-36227-00-0-1 | |
| Schüco Corona MD 60 | 8121 | 8116 | 8137 | 13,0 | 20/0° | 9-38218-00-0-1 | E-13534-12-0-1 | 6-22917-00-0-1 | 6-22916-00-0-1 | 9-36227-00-0-1 | |
| Schüco M+A | 717903 | 726703 | 718303 | 8,2 | 20/5° | 9-30627-00-0-1 | 9-30748-03-0-1 | 9-35847-00-* -1 | 9-35848-00-* -1 | 8-00668-20-0-1 | |
| Schüco MF | 717800 | 717600 | 718200 | 9,0 | 20/5° | 9-30627-00-0-1 | 9-30748-03-0-1 | 9-35847-00-* -1 | 9-35848-00-* -1 | 8-00668-20-0-1 | |
| Soprogen Serie T 62 | BM 100 | NS 100 | ME 200 | 9,0 | 18/0° | E-13534-11-0-1 | E-13534-12-0-1 | 6-22917-00-0-1 | 6-22916-00-0-1 | E-14591-00-0-1 | 9-30084-00-0-1 |
| Spectus Windows | SW 09 | SW 05 | SW 51 | 9,0 | 20/15° | 9-30146-05-0-1 | 9-30146-05-0-1 | 6-25416-00-0-1 | 6-25415-00-0-1 | E-13035-00-0-1 | |
| Technoplast | | | | 13,0 | 20/0° | 9-38218-00-0-1 | 9-34542-00-0-1 | 6-22917-00-0-1 | 6-22916-00-0-1 | E-11575-00-0-1 | |
| Thyssen AD | Z 10 | L 10 | SFZ 10 | 13,0 | 21/0° | 9-34492-00-0-1 | E-13534-12-0-1 | 6-22917-00-0-1 | 6-22916-00-0-1 | 9-38052-00-0-1 | 9-30081-00-0-1 |
| Thyssen MD | ZM 1 | LM 10 | SFM 1 | 9,0 | 21/0° | 9-31755-00-0-1 | E-13534-12-0-1 | 6-22917-00-0-1 | 6-22916-00-0-1 | 8-00668-17-0-1 | 9-41625-00-0-1 |

for burglary-resistant double-sash windows and patio doors without mullion in standard version

| PVC Profile systems | Sash profile | Frame profile | False mullion | Groove pos. mm | Sash overlap mm/° | | Locking plate on frame PU = 100 | Locking plate inactive sash PU = 100 | Shoot bolt top PU = 10 | Shoot bolt bottom PU = 10 | Locking plate top/bottom PU = 100 | Packing [1] PU = 100 | |
|---------------------|--------------|---------------|---------------|----------------|-------------------|--|---------------------------------|--------------------------------------|------------------------|---------------------------|-----------------------------------|----------------------|--|
| Veka Softline AD | 103.197 | 101.086 | 102.196 | 13,0 | 20/0° | | 9-42972-00-0-1 | E-13534-12-0-1 | 6-22917-00-0-1 | 6-22916-00-0-1 | 9-36227-00-0-1 | | |
| Veka Softline AD | 103.102 | 101.085 | 102.118 | 9,0 | 20/0° | | 9-34202-00-0-1 | E-13534-12-0-1 | 6-22917-00-0-1 | 6-22916-00-0-1 | 6-27092-00-0-1 | | |
| Veka Softline MD | 103.116 | 101.098 | 102.106 | 9,0 | 20/0° | | 9-34202-00-0-1 | 9-30146-11-0-1 | 6-26071-01-0-1 | 6-24387-01-0-1 | 6-27092-00-0-1 | | |
| Veka Topline AD | 103.200 | 101.200 | 102.206 | 13,0 | 20/0° | | 9-42972-00-0-1 | E-13534-12-0-1 | 6-22917-00-0-1 | 6-22916-00-0-1 | 9-36227-00-0-1 | | |
| Veka Topline MD | 103.220 | 101.220 | 102.226 | 13,0 | 20/0° | | 9-42972-00-0-1 | E-13534-12-0-1 | 6-22917-00-0-1 | 6-22916-00-0-1 | 9-36227-00-0-1 | | |
| Weltplast | 552000 | 550000 | 562000 | 9,0 | | | 9-41364-00-0-1 | E-13534-12-0-1 | 6-22917-00-0-1 | 6-22916-00-0-1 | 9-41456-00-0-1 | | |
| Wymar 2500 | | | | 13,0 | 20/0° | | E-19550-32-0-1 | E-13534-12-0-1 | 6-22917-00-0-1 | 6-22916-00-0-1 | E-19551-32-0-1 | | |
| Wymar 3000 | 3200 | 3000 | 3300 | 13,0 | 20/10° | | 9-41839-00-0-1 | E-13534-12-0-1 | 6-22917-00-0-1 | 6-22916-00-0-1 | E-19551-16-0-1 | | |

[1] = Packing for locking plate with mushroom pin, locking plate IS, tilt-locking plate KD, door catches and tilt stay

UNI-JET D, UNI-JET DV

| Application | Description | PU | Article No. |
|--|---|----------------|----------------|
| Assembly of corner and stay arm bearings | Tilt-turn fittings UNI-JET D | | |
| | Side hung fittings UNI-JET D | | |
| | Drilling jig for drill-in hinge 6-27231-00-0-1 | | |
| | Groove position 9 mm | 1 | 6-27410-09-0-0 |
| | Groove position 12,9 mm | 1 | 6-27410-13-0-0 |
| | Drilling jig for corner bearing and stay arm bearing, drill Ø 3 mm | | |
| | Standard version | 1 | 6-27412-04-0-0 |
| | Special versions for profile systems | 1 | 6-27412-03-0-0 |
| | | 1 | 6-27412-02-0-0 |
| | | 1 | 6-27412-01-0-0 |
| | Drilling jig for corner bearing and stay arm bearing, drill Ø 3 and 6 mm | | |
| | Standard version | 1 | 6-27412-54-0-0 |
| | Special versions for profile systems | 1 | 6-27412-53-0-0 |
| | | 1 | 6-27412-52-0-0 |
| | | 1 | 6-27412-51-0-0 |
| | Drilling jig for stay arm bearing of oblique angle head window, drill Ø 3 mm | | |
| | Standard version | 1 | 6-32333-04-0-0 |
| | Special versions for profile systems | 1 | 6-32333-03-0-0 |
| | | 1 | 6-32333-02-0-0 |
| | | 1 | 6-32333-01-0-0 |
| Drilling jig for stay arm bearing of oblique angle head window, drill Ø 3 and 6 mm | | | |
| Standard version | 1 | 6-32333-54-0-0 | |
| Special versions for profile systems | 1 | 6-32333-53-0-0 | |
| | 1 | 6-32333-52-0-0 | |
| | 1 | 6-32333-51-0-0 | |
| Assembly of locking plates | 1 set of positioning jigs for locking plates, fixed gear position length of locking plate 55 mm | 1 | 6-32644-00-0-0 |
| | 1 set of positioning jigs for locking plates, variable gear position length of locking plate 55 mm | 1 | 6-32645-00-0-0 |
| Locking plates Se | Drilling jig for locking plate 9-33141-**-0-1 for security fittings JET Se WK 2 with shoot bolt | 1 | 6-28175-00-0-0 |
| | Drilling jig for locking plate insert for 9-33141-**-0-1 for security fittings JET Se WK 2 with shoot bolt | 1 | 6-27975-00-0-1 |
| Assembly of turn handles | Drilling jig for turn handle | 1 | 6-22459-00-0-0 |
| | Stop for 6-22459 – fixed gear position | 1 | 9-27406-00-0-1 |
| | Drilling jig with stop for gear AP 25 up to AP 50 | 1 | 6-25156-00-0-9 |
| Arch head windows | Drilling jig for stay arm bearing arch head window, drill Ø 3,0 mm | 1 | 6-27412-04-0-0 |
| Middle hinge | Drilling jig for middle hinge, screw-on version K-14239-**-0-* | 1 | G-13154-12-0-0 |

| Application | Description | PU | Article No. |
|--|---|----|----------------|
| Assembly of corner and stay arm bearing | Tilt-turn fittings UNI-JET DV | | |
| | Side hung fittings UNI-JET DV | | |
| | Drilling jig for stay arm | 1 | 9-37321-00-0-0 |
| | Drilling jig for corner bearing | 1 | 9-37322-00-0-0 |
| Assembly of locking plates | 1 set of positioning jigs for locking plates, fixed gear position length of locking plate 55 mm | 1 | 6-32644-00-0-0 |
| | 1 set of positioning jigs for locking plates, variable gear position length of locking plate 55 mm | 1 | 6-32645-00-0-0 |
| Assembly of turn handles | Drilling jig for turn handle | 1 | 6-22459-00-0-0 |
| | Stop for 6-22459 – fixed gear position | 1 | 9-27406-00-0-1 |
| | Drilling jig with stop for gears AP 25 to AP 50 | 1 | 6-25156-00-0-9 |
| Middle hinge | Drilling jig for middle hinge, screw-on version K-14239-**-0-* | 1 | G-13154-12-0-0 |



Order catalogue, part 2

Miscellaneous fittings

Contents

Part 2 of the present order catalogue contains miscellaneous fittings for tilt-turn, side hung and tilt sash windows and patio doors made of PVC according to the latest state of the art.

The following indications will make you familiar with the concept of the catalogue and help you to handle it easily.

Catalogue structure

The present catalogue part is structured in the following way:

- illustration of fittings
- single parts

Single parts

Packing units and contents, all single parts of fittings and accessories, fitting tools as well are listed in this part. Details of application, colouring and packing units are to ease your order transaction.

Order numbers

The order number gives information about

- the article
- its size
- its application - e.g. DIN lh or DIN rh
- its packing unit and
- its colour/finish

Example

Order number
6-28743-03-L-1

| | | |
|----------|------|---|
| 6-28743- | - - | Article number |
| - | -18- | Size |
| - | -L- | DIN left hand (hinge side) |
| - | -R- | DIN right hand (hinge side) |
| - | -0- | Usable on both sides |
| - | - -1 | F 1/EV 1, natural (silver colour), ferGUard*silver |
| - | - -2 | F 2/EV 2, champagne colour |
| - | - -3 | F 3, brass colour, ferGUard*yellow |
| - | - -4 | UC 3, medium bronze (medium brown) |
| - | - -A | F 4, bronze colour |
| - | - -5 | UC 5, dark bronze (dark brown) |
| - | - -6 | onyx matt (black) |
| - | - -7 | white, powder-coated (RAL 9016) |
| - | - -* | Surface treatment variable (available colours see price list) |

Prices

Single part price list »Gesamtprogramm« (Total programme)

The prices are listed by ascending article numbers.

Additional sales documentation

Apart from the order catalogue, the following documentation on miscellaneous fittings is available:

- Brochures and leaflets informing about product features and advantages
- Working drawings with mounting instructions.

Supplementary fittings for window and patio door sashes

According to the defined manufacturer's liability described in paragraph 4 of the German "product liability law", the following information regarding supplementary hardware for window and patio door sashes should be observed. Non-compliance exempts the manufacturer of his liability.

1. Product information and specified application

Rebate stays as well as rebate and cleaning stays as covered by this definition limit the tilt movement of a window sash when the stay of a fan-light opener is unhinged. The opening angle of the achieved catch position is slightly larger than the opening angle of the fan-light opener stay. Rebate and cleaning stays additionally hold the sash in horizontal position providing easy cleaning of the outside surface of the window pane.

Hardware for coupled sashes as covered by this definition consists of coupled sash hinges allowing for the opening of the coupled sash unit and cleaning the inside of window panes, and of coupled sash couplings designed to lock the coupled sash on the side opposite to the hinges. Applications going beyond opening coupled sashes for the purpose of cleaning are not in compliance with the hardware's specified application.

Window friction stays as covered by this definition hamper – due to friction – the movement of tilt-turn or side hung sashes in open position. Depending on the intensity of friction, they can hold the sash open, however, do not limit the opening.

When using supplementary hardware, the product information of the basic hardware and its specified application is to be observed.

2. Misuse

Misuse – therefore not the specified product utilisation – of fan-light hardware for windows occurs in particular:

- if obstacles are inserted into the opening vicinity, thus preventing its proper specified use,
- if additional loads are put on windows sashes,
- if someone reaches between the sash and frame, and/or a person or body part is in this vicinity while the window is closing.

3. Liability

The respective entire hardware set may only consist of G.U hardware components. In the case of inappropriately assembled hardware, and/or in case of non original accessory components and/or non factory-approved accessory components, no liability is accepted. For professional assembly G.U assembly drawings and mounting instructions are to be consulted.

4. Product performance

4.1 Maximum sash weights and dimensions

The maximum sash weights and dimensions specified by the manufacturer for each type of hardware must not be exceeded.

4.2 Hardware composition

The manufacturer's regulations concerning the composition of hardware are obligatory.

5. Product maintenance

Security relevant hardware components are to be examined at least once a year for stability and wear and tear. Depending on the requirements, the fixing screws are to be tightened and/or parts replaced. In addition to this, the following maintenance work is to be carried out annually:

- All movable parts and all locking points of the sliding hardware are to be greased and tested.
- Only cleaning and maintenance agents which do not damage the corrosion protection of the hardware components are to be used.

Hardware adjustments as well the replacement of parts are to be carried out by a specialist company.

6. Obligation to issue information and instructions

To fulfil the information and instruction obligations as well as the maintenance operations according to the "product liability law", the following documentation is made available:

- for planning engineers "planning documents"
- for authorized dealers "catalogues"
- for fabricators "installation instructions" and "assembly drawings"
- for builders and end users: "service and maintenance instructions" as well as "operating manuals".

In order to safeguard the function of supplementary fittings for window and patio door sashes,

- Planning engineers are obliged to request and comply with the manufacturers' or authorized dealers' product information.
- The authorized dealers are obliged to observe and request the product information from the manufacturer and to pass them on to the fabricators, in particular installation instructions, assembly drawings, service and maintenance instructions as well as operating manuals.
- Fabricators are obliged to observe the product information and in particular to request service and maintenance instructions as well as operating manuals from the manufacturer or authorized dealer and to pass them on to the builders and end users.

7. Applicability for related hardware

Related hardware is to be treated according to the corresponding valid features of product performance, product maintenance, specified use/application and misuse, product information and instruction obligations.

Miscellaneous fittings for PVC tilt-turn, side hung and tilt windows

Application

Range of applications for G.U-miscellaneous fittings:

- Friction stays for PVC windows
- Casement window fittings for PVC windows

Designs

Window friction stay EGO-B, EGO-FL

The window friction stays EGO-B and EGO-FL offer additional safety for the operation of tilt-turn and side hung sashes.

These stays are a one piece telescopic construction. The sashes are prevented from suddenly being moved by draughts of air due to the braking effect of the stays. Their maximum opening angle is 90°.

One type of stay covers all timber tilt sashes, whereas the stay types for PVC and aluminium sashes are profile-related.

Two variants are available:

- EGO-B with sash restrictor
- EGO-FL with swing free function up to 85° when opening and constant swing free function when closing the sash

Window friction stay EGO-E 2

Alternative friction stay with spring-loaded friction for PVC windows.

Casement window coupling ATLAS

Tilt windows in casement design are equipped with the casement window coupling ATLAS allowing for the joint opening of inside and outside sash over a fan-light opener mounted at the inside.

Materials, surface sealing ferGUard*silver

The fitting parts are made of high quality steel, zinc die-casting and aluminium alloys.

According to the material they are protected against corrosion by the surface sealing ferGUard*silver, aluminium parts are anodised.

Standard surface sealing of miscellaneous fittings: ferGUard*silver

All miscellaneous fittings come with the surface sealing ferGUard*silver.

Abbreviations

| | |
|-----|--------------------|
| PU | Packing unit |
| SH | Sash height |
| SRH | Sash rebate height |
| SRW | Sash rebate width |
| ST | Sash thickness |
| SW | Sash width |

The newly developed sealing ferGUard*silver sets the standard

Surface coating free of chromate providing optimum corrosion protection = ferGUard

- Over the years, plaster, cement, paint and cleaning detergents considerably affect the surface of builder's hardware.

Possible consequence: claims

- Due to the surface sealing ferGUard*silver, damage through corrosion involving reclamation is reliably prevented. The finish ferGUard*silver consists of a new combined coating (zinc + passivation without hexavalent chromium + additional coating) of superior anti-corrosive qualities.

- The coats are applied without organic components, heavy metals and hexavalent chromium; that is, the new surface sealing ferGUard*silver is environment-friendly and up to date.

- Another advantage:

The new finish ferGUard*silver produces an impressively even, silvery finish on the fitting parts: A new, additional sales argument with your customers.

How does the additional coating work?

As before, the fitting parts are protected by a zinc coat with succeeding yellow passivation (method: zinc + standard chromizing).

The new additional coat was developed in cooperation with leading suppliers of chemical engineering and with the automotive industry.

After the usual treatment, the fitting components are covered with an inorganic coat in an additional procedure.

This process step is carried out on a fully automatic and computer controlled production line.

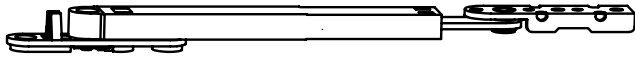
The additional coat deeply permeates into the passivated coat, sealing the whole component firmly and permanently.

Special corrosion inhibitors additionally retard the beginning of corrosion.

All in all, the new **G.U finish** offers to dealers, manufacturers and customers a large variety of **advantages**:

- Considerably improved corrosion protection due to additional coating.
- Longer product life of windows and doors.
- Without organic components and heavy metals, the new G.U finish is environment-friendly and up to date.
- If there is mechanic damage to the surface or if a component is cut (e.g. forend cut to length), the blank spot will not corrode due to the sacrificial protective effect of the zinc coat.
- Fewer customer claims due to a finish more resistant against detergents and household chemicals than others.
- Even, silvery finish of fitting parts throughout our complete product range.
- Complying with the environmental regulations of the EC, our newly developed coating system ferGUard*silver does not contain hexavalent chromium.

for tilt-turn and side hung windows



Window friction stay EGO-B, EGO-FL

Window friction stay EGO-B, EGO-FL

| Description | SWR mm | PU | Article No. |
|--|-----------------|----------|----------------------------------|
| Window friction stay EGO-B with sash registictor from 5° and max. opening angle 90° for tilt-turn and side hung | 500-750 751- | 20 20 | 6-28835-01-0-1 6-28835-00-0-1 |
| Window friction stay EGO-FL max. opening angle 90°, with swing free function up to 85° when opening and constant swing free function when closing the sash, for tilt-turn and side hung sashes | 500-750 751- | 20 20 | 6-28730-01-0-1 6-28730-00-0-1 |

Window friction stay EGO-B, EGO-FL Bag of profile accessories

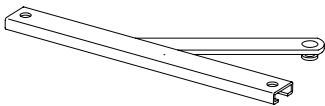
| Description | PU | Article No. |
|---|----|----------------|
| Profile system Aluplast Ideal Aluplast Ideal 5000 HAPA Hocoplast H 120 Intertec Greiner Salamander Universal Schüco M + A Schüco MF | 20 | K-14681-00-0-1 |
| Profile system Actual A 400 Aluplast Ideal 2000 Brügmann Serie 81 Osmopane Comtess S Home KBE MD Knipping LB. Profile PAD and PMD Plus Plan 3K AD Rehau S 730 Trocal 900 VEKA Softline AD and MD | 20 | K-14682-00-0-1 |
| Profile system EURODUR 3S Gealan S 3000 Helmitin KS and KSL KBE AD Roplasto 6001 Thyssen AD, MD and MD 100 | 20 | K-14683-00-0-1 |
| Profile system Deceuninck 2000 Schüco AS Schock Thermassiv | 20 | K-14837-00-0-1 |
| Profile system Osmopane Compress F | 20 | K-14842-00-0-1 |

Window friction stay EGO-E 2

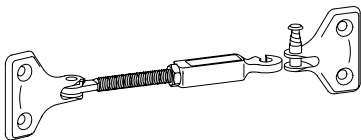
| Description | PU | Article No. |
|---|----|----------------|
| Window friction stay EGO-E 2/FB with spring-loaded friction | 20 | 5-03375-00-0-1 |

Casement window fittings

| Description | | | PU | Article No. |
|---|----------------|--------------|----|----------------|
| Casement window coupling ATLAS-B | | | | |
| Sash clearance mm | | | | |
| Tilt sash | Side hung sash | Screw length | | |
| 95-120 | 65-100 | 70 | 10 | 5-21219-07-0-1 |
| 100-125 | 75-105 | 80 | 10 | 5-21219-08-0-1 |
| 120-145 | 100-130 | 100 | 10 | 5-21219-10-0-1 |
| 140-170 | 125-160 | 120 | 10 | 5-21219-12-0-1 |

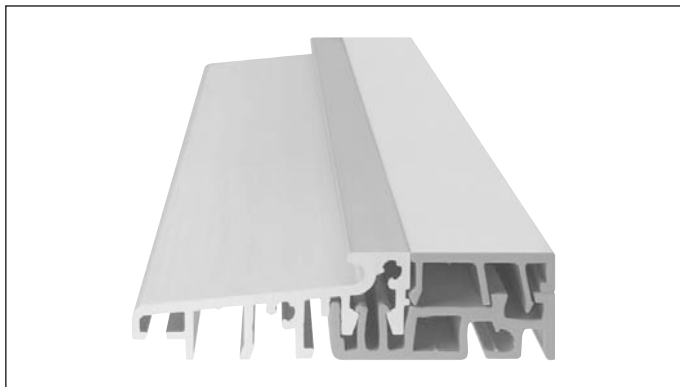


Window friction stay EGO-F 2



Casement window coupling ATLAS-B

Thresholds DKS for timber and PVC patio doors – new buildings and renovation

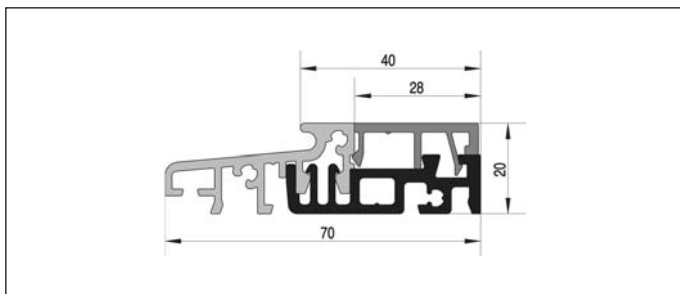


Threshold DKS for patio doors

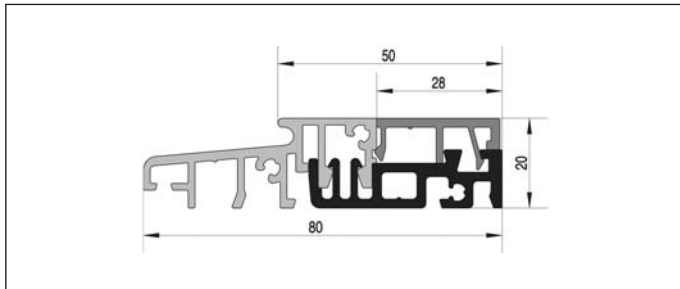
Thresholds DKS for timber and PVC patio doors – new buildings/renovation

| PG | Description | Dim. mm | Finish | PU | Order number |
|-----|---|----------|--------|------|----------------|
| YPS | Threshold DKS 1.1.0 with base profile and cover profile, stock length 6000 mm | 70 x 20 | grey | 30 m | 6-32326-00-0-1 |
| YPS | Threshold DKS 2.1.0 with base profile and cover profile, stock length 6000 mm | 80 x 20 | grey | 30 m | 6-32306-00-0-1 |
| YPS | Threshold DKS 3.1.0 with base profile and cover profile, stock length 6000 mm | 90 x 20 | grey | 30 m | 6-32803-00-0-1 |
| YPS | Threshold DKS 4.1.0 with base profile and cover profile, stock length 6000 mm | 125 x 20 | grey | 30 m | 6-32804-00-0-1 |

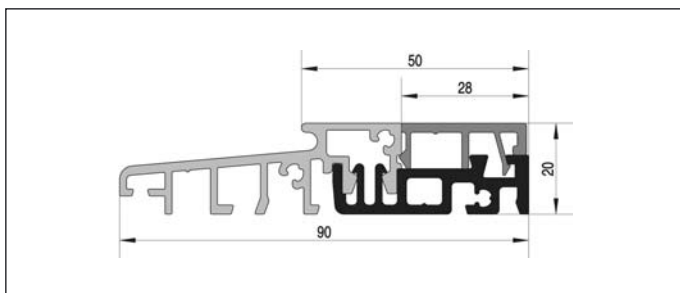
2



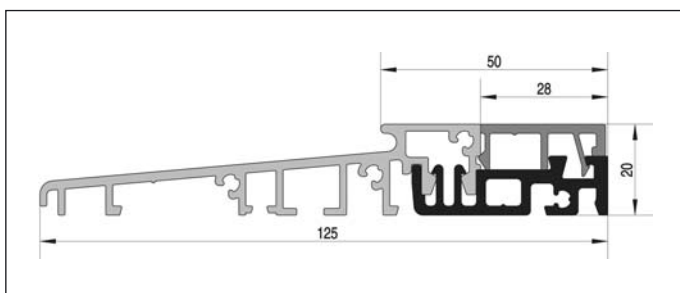
Threshold DKS 1.1.0 – 6-32326-00-0-1



Threshold DKS 2.1.0 – 6-32306-00-0-1



Threshold DKS 3.1.0 – 6-32803-00-0-1



Threshold DKS 4.1.0 – 6-32804-00-0-1

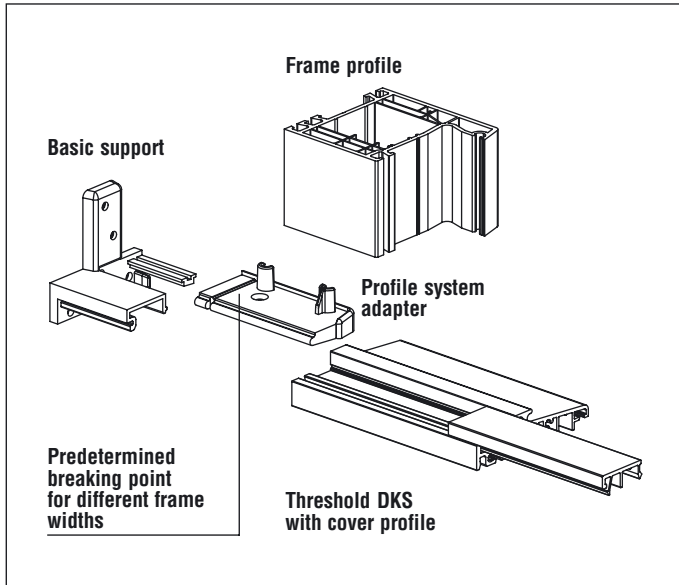
Threshold DKS for patio doors to DIN 18 025 “Barrier-free living“

According to the demands of “barrier-free living“ to DIN 18 025, the height of tread thresholds must not exceed 20 mm. The new G.U threshold DKS meets these requirements, thus providing more comfort, especially in handicapped accessible buildings.

Advantages

- Locking plates of all leading manufacturers of tilt-turn and side hung fittings can be mounted to DKS thresholds.
- The corner bearing of the fittings is connected to the solid threshold support and to the steel reinforcement of the frame with screws. This provides stability and the reliable function of the door.
- All threshold variants are thermally broken. The large widths of the insulating PVC profiles – base profile 43 mm, cover profile 28 mm – prevent condensation on the inside and provide optimum heat insulation.
- Frame and threshold are cut rectangularly. The frame sits on top of the threshold, threshold-to-frame connectors connect them and seal at the same time; additional sealing is not necessary.
- In new buildings, enlargement profiles to be clipped on compensate for the difference in height up to the carcass ceiling.
- The system related bottom profile with finseal brush is screwed to the bottom sash profile on the outside. Serving as additional seal, it protects against driving rain, humidity, dust and draught.
- A connecting piece of 55 mm placed between cover profile and locking plate provides optimum appearance.

Threshold-to-frame connector DKH, Threshold-to-mullion connectors DKH



Threshold-to-frame connector DKH

Threshold-to-frame connector DKH

| PG | Description | Finish | PU | Order number |
|-----|---|--------|---------|----------------|
| YPS | Threshold-to-frame connector DKH for threshold DKS 1.1.0 | | | |
| | Universal | grey | 5 pairs | H-01004-00-0-1 |
| | Aluplast Serie 12/13 | grey | 5 pairs | H-01001-00-0-1 |
| | Roplasto 2108/02, 2109/03 | grey | 5 pairs | H-01003-00-0-1 |
| YPS | Threshold-to-frame connector DKH for threshold DKS 2.1.0, 3.1.0, 4.1.0 | | | |
| | Universal timber – 80 mm | grey | 5 pairs | H-01021-00-0-1 |
| | Aluplast Serie 14/15 | grey | 5 pairs | H-01000-00-0-1 |
| | Aluplast 160003 | grey | 5 pairs | H-01005-00-0-1 |
| | Brüggmann Serie AD | grey | 5 pairs | H-01028-00-0-1 |
| | Gealan 7000, Gealan 8000 | grey | 5 pairs | H-01023-00-0-1 |
| | Kömmerling Classic, Futur | grey | 5 pairs | H-01010-00-0-1 |
| | KBE AD | grey | 5 pairs | H-01015-00-0-1 |
| | Rehau Brillant | grey | 5 pairs | H-01016-00-0-1 |
| | Salamander Streamline 250220/230 | grey | 5 pairs | H-01002-00-0-1 |
| | Thyssen Prestige LD | grey | 5 pairs | H-01024-00-0-1 |
| | Veka Mitteldichtung | grey | 5 pairs | H-01022-00-0-1 |
| | Veka Universal AD | grey | 5 pairs | H-01017-00-0-1 |

Threshold-to-mullion connectors DKH

| PG | Description | Finish | PU | Order number |
|-----|--|--------|--------|----------------|
| YPS | Threshold-to-mullion connectors DKH for threshold DKS | | | |
| | Aluplast 160043 | grey | 5 pcs. | H-01009-00-0-1 |
| | Aluplast 120041/42 | grey | 5 pcs. | H-01011-00-0-1 |
| | Aluplast 140045/150043/150044 | grey | 5 pcs. | H-01012-00-0-1 |
| | Aluplast 140041/140044/150041 | grey | 5 pcs. | H-01013-00-0-1 |
| | Aluplast 120043 | grey | 5 pcs. | H-01014-00-0-1 |
| | Gealan 8040 | grey | 5 pcs. | H-01025-00-0-1 |
| | Gealan 8043 | grey | 5 pcs. | H-01025-01-0-1 |

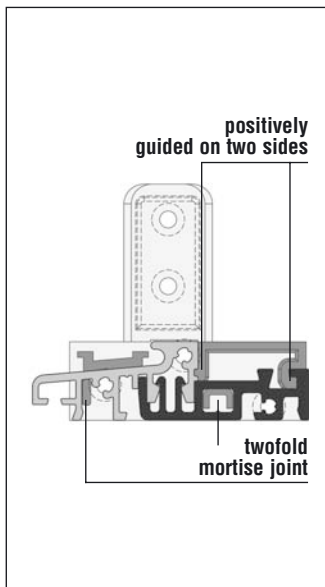
Advice for installation

- The threshold – without cover profile – is cut to the door width (when used with profile related connector 9 mm shorter)
- The frame profile is square cut. The reduction dimension equals 20 mm
- The system related cap, according to profile system is locked to the basic connector with a push
- The completed connector is attached to the threshold (with guides) and screwed on
- The threshold is firmly screwed to the frame
- As necessary extension pieces from G-U or the profile manufacturer are clipped under the threshold
- The complete door element will answer the RAL-installation requirement for sealing and fixing

Installation instructions

In order to guarantee the correct functioning of side hung or tilt-turn patio doors, the following instructions must be observed:

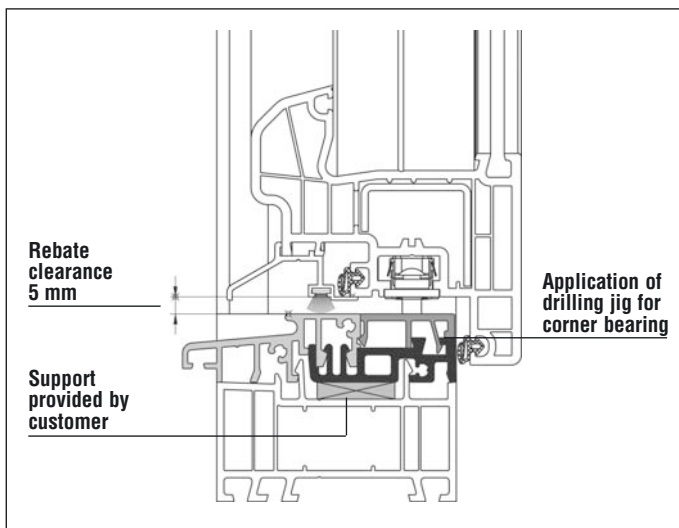
- **The rebate clearance between bottom sash profile and threshold DKS must be 5 mm.**
- When threshold DKS is installed in new buildings, base profile and enlargement profile must be supported with material supplied by the customer.
- The drilling jig UNI-JET (adjusted to 12 mm rebate clearance) must be applied on the base profile – not on the connecting piece – to achieve a rebate clearance of 5 mm at the bottom. Connecting piece and cover profile are to be clipped on afterwards.



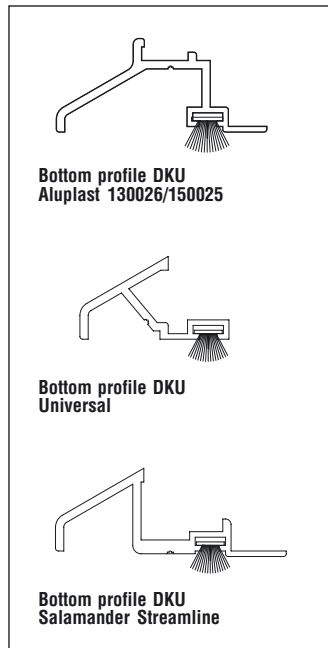
Threshold-to-frame connector DKH

The threshold-to-frame connector DKH serves as adapter between the DKS threshold profile and individual frame profiles. The advantages are:

- efficient and economic manufacture due to the rectangular cut of threshold and timber or PVC frame profile
- forced guidance on two sides and twofold mortise joint with aluminium drip rail and with base profile
- high static values due to the involvement of the steel reinforcement of the frame
- high impact resistance
- UV resistance

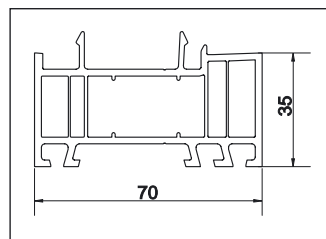
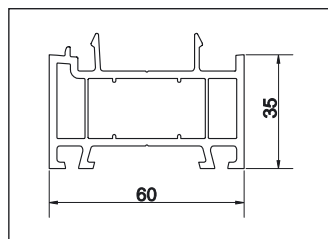
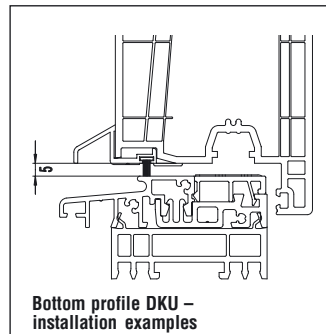


Bottom profile DKU, enlargement profile DKA, cover profile, connecting piece, locking plate, tilt locking plate



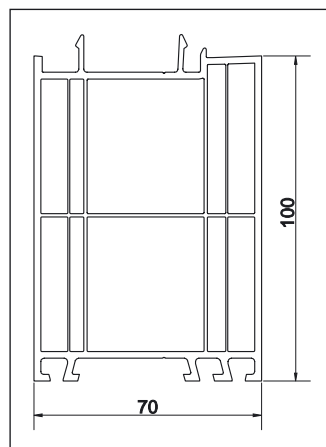
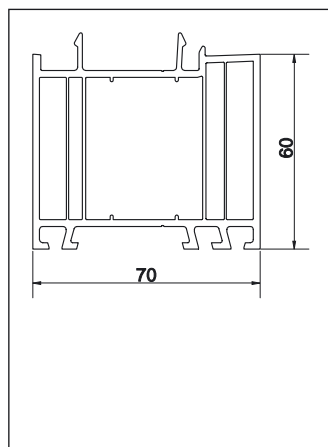
Bottom profile DKU

The system related bottom profile with finseal brush is suitable for a 5 mm rebate clearance; it is screwed to the bottom sash profile on the outside. Serving as additional seal, it protects against driving rain, humidity, dust and draught.



Enlargement profile DKA – 35 mm for DKS 1.1.0 and DKS 2.1.0

Enlargement profile DKA – 35 mm for DKS 2.1.0



Enlargement profile DKA – 60 mm for DKS 2.1.0

Enlargement profile DKA – 100 mm for DKS 2.1.0

Enlargement profile DKA

Enlargement profiles with thermal insulation to be clipped on are suitable for the connection to the floor in new buildings. They come in heights of 35, 60 and 100 mm.

Application

Enlargement profiles DKA are compatible with all G.U. thresholds DKS.

Bottom profile DKU, enlargement profile DKA

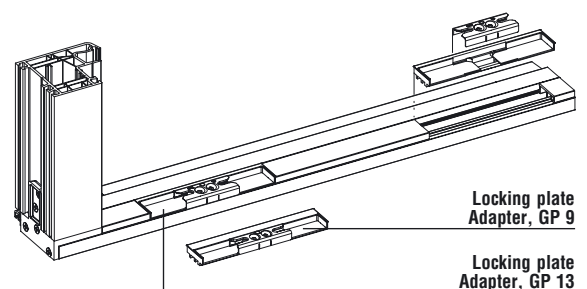
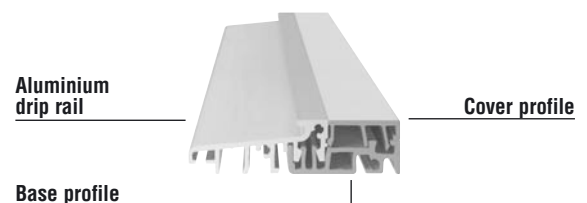
| PG | Description | Dim. mm | Finish | PU | Article No. |
|-----|--------------------------------------|---|----------------------------------|-------------------------------|--|
| YPS | Bottom profile DKU | 1200 | | | |
| | Universal | | grey brown white | 25 pcs. 25 pcs. 25 pcs. | 9-42791-00-0-1 9-42791-00-0-5 9-42791-00-0-7 |
| | Aluplast Sash profiles 130026/150025 | | grey brown white | 25 pcs. 25 pcs. 25 pcs. | 9-42545-00-0-1 9-42545-00-0-5 9-42545-00-0-7 |
| | Salamander Streamline | | grey brown white | 25 pcs. 25 pcs. 25 pcs. | 9-42560-00-0-1 9-42560-00-0-5 9-42560-00-0-7 |
| YPS | Enlargement profile DKA | 35 x 60 35 x 70 60 x 70 100 x 70 | white white white white | 30 m 30 m 30 m 30 m | H-01006-35-0-7 H-01007-35-0-7 H-01007-60-0-7 H-01007-10-0-7 |
| YPS | Enlargement profile DKS | 20 60 100 | white white white | 30 m 30 m 30 m | H-01008-20-0-7 H-01008-60-0-7 H-01008-10-0-7 |

Cover profile, connecting piece, locking plate DKS, tilt locking plate DKS

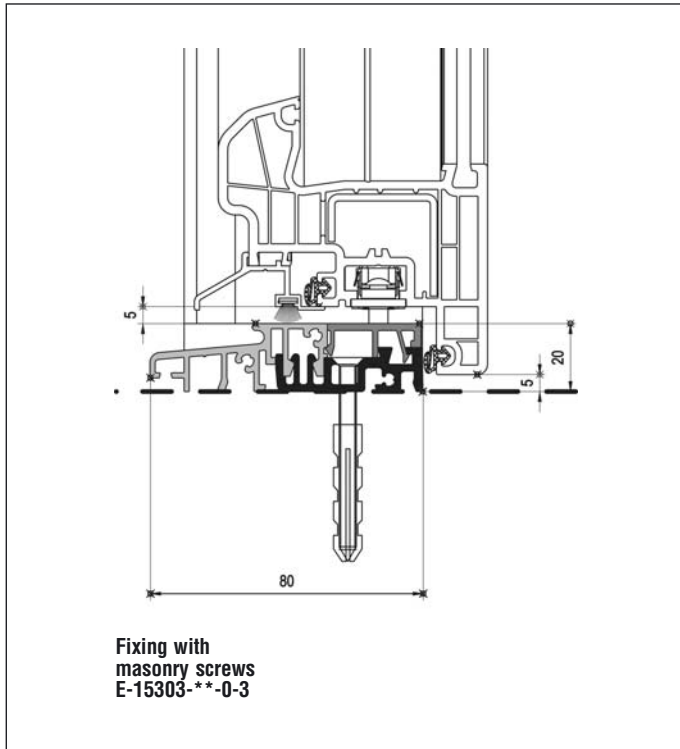
| PG | Description | Dim. mm | Finish | PU | Article No. |
|-----|------------------------------------|---------|--------|----------|----------------|
| YPS | Cover profile stock length 3000 mm | | grey | 18 m | 9-42368-00-0-1 |
| YPS | Connecting piece, length 55 mm | | grey | 50 pairs | 9-42610-00-0-1 |
| D0 | Locking plate DKS | GP 13* | | 100 pcs. | 6-32541-00-0-1 |
| | Tilt locking plate DKS | GP 13* | | 100 pcs. | 6-32540-00-0-1 |
| | Locking plate DKS | GP 9* | | 100 pcs. | 6-32699-00-0-1 |
| | Tilt locking plate DKS | GP 9* | | 100 pcs. | 6-32700-00-0-1 |
| D0 | Locking plate DKS | GP 13* | | 100 pcs. | 6-32584-00-0-1 |
| YPS | Adapter timber | GP 13* | | 1 pcs. | 9-43106-13-0-1 |
| D0 | Locking plate DKS | GP 9* | | 100 pcs. | 6-32207-18-0-1 |
| YPS | Adapter timber | GP 9* | | 1 pcs. | 9-43106-09-0-1 |

* = Groove position

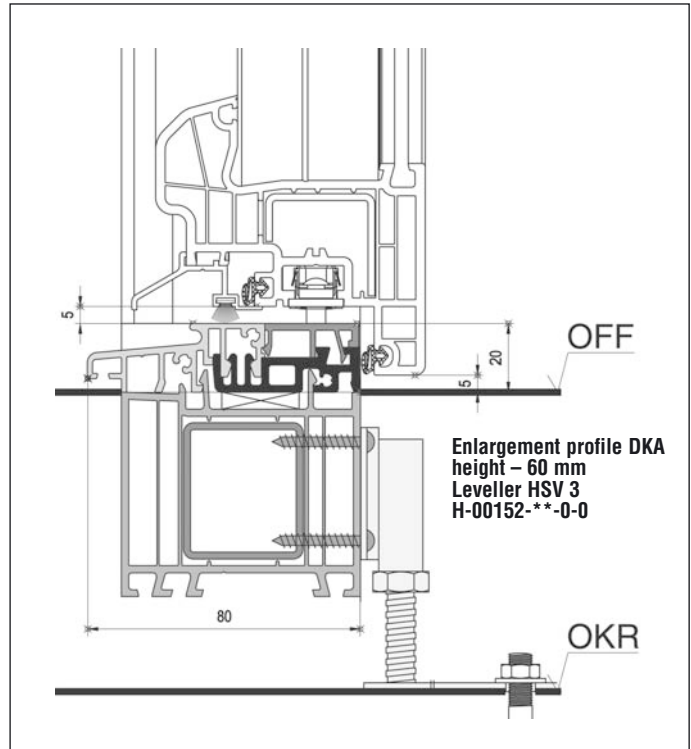
Basic components of threshold DKS



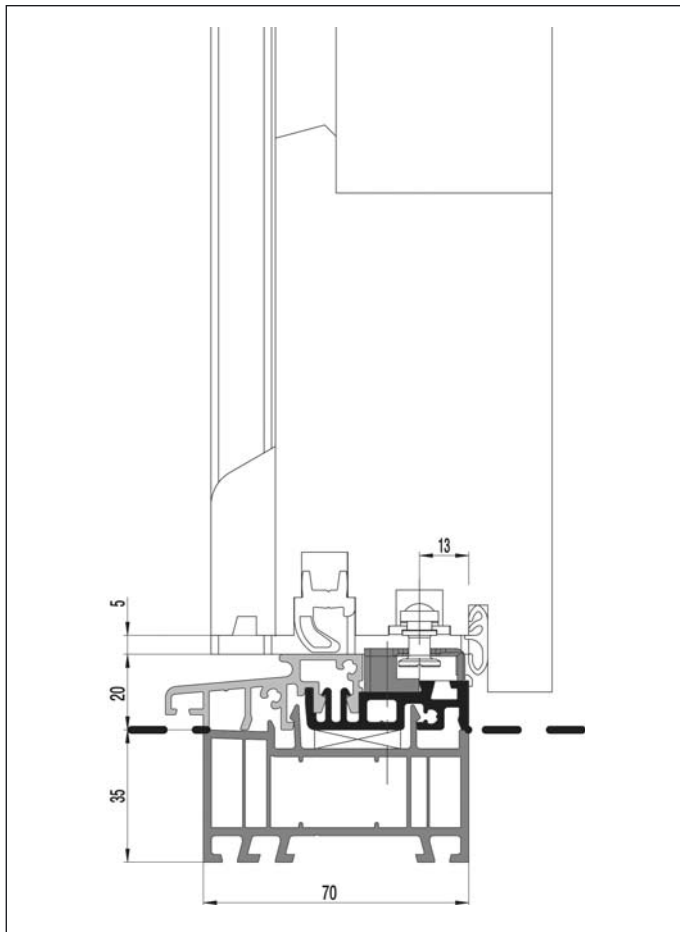
Installation



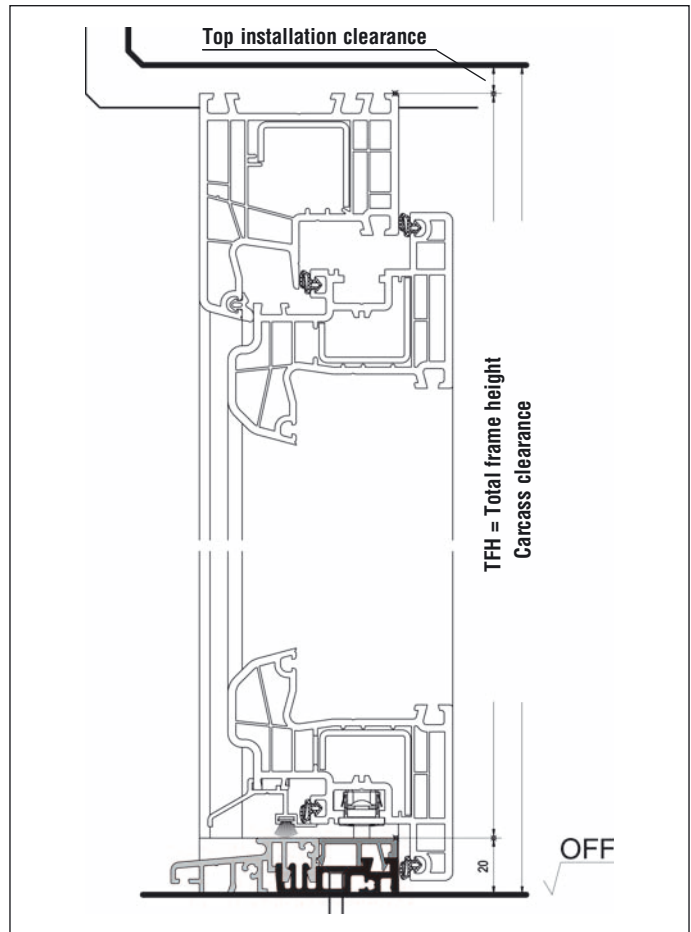
Threshold DKS – renovation
The seal to the building structure according to DIN.



Threshold DKS – installation in new buildings
The seal to the building structure according to DIN.



Threshold DKS – installation in new buildings
The seal to the building structure according to DIN.



TFH = Carcass clearance ./ top installation clearance ./ 20 mm

Product group

T **Turn handles**

3

Contents

Finish

Available colours, product information 3

Turn handle DIRIGENT

Standard and special types 4

Turn handle ADAGIO

Standard and special types 6

Turn handle MODENA

Standard and special types 8

Turn handle SAN REMO

Standard and special types 9

Accessories

G.U Face fixed window lock 10

Rosettes, spindles 11

Available colours



Silver



Champagne



Gold colour



Light brown



Dark brown



White



Titanium painted

Colours

The turn handles DIRIGENT, ADAGIO, MODENA, SAN REMO are made from aluminium with painted or powder coated finish. The handles are available in the following standard colours (with matching rosettes):

- F 1/EV 1, silver colour
- F 2/EV 2, champagne
- F 3, gold colour
- F 4, light brown
- dark brown (RAL 8022 matt)
- white (RAL 9016)
- titanium painted

Illustration: handle type DIRIGENT

| Available colours of standard types | Quantities | | | | Example: Order number 6-28072-29-0-7 6-28072- |
|-------------------------------------|------------|--------|--------|----------|--|
| | DIRIGENT | ADAGIO | MODENA | SAN REMO | |
| silver | 20* | 20* | 100* | 20 | - -00 - - = Article number |
| champagne | 20* | 20* | 20* | 20 | - -29 - - = without square |
| gold | 20* | 20* | 20* | 20 | - -33 - - = spindle length 29 mm |
| light brown | 20* | 20* | 20* | 20 | - -38 - - = spindle length 33 mm |
| dark brown | 20* | 20* | 20* | 20 | - -43 - - = spindle length 38 mm |
| white | 20* | 100* | 100* | 20 | - - -0- = spindle length 43 mm |
| titanium | 20 | 20 | 20* | 20 | - - -L- = usable on both sides |
| | | | | | - - -R- = DIN left |
| | | | | | - - -11 = DIN right |
| | | | | | - - -22 = F 1/EV 1, silver |
| | | | | | - - -3 = F 2/EV 2, new silver colour |
| | | | | | - - -A = F 3, gold colour |
| | | | | | - - -5 = F 4, light brown |
| | | | | | - - -7 = dark brown (RAL 8022) |
| | | | | | - - -C = white (RAL 9016) |
| | | | | | - - -C = titanium painted |

*Packing units
(lockable types: PU = 20)

The turn handles DIRIGENT captivate by their clear shape. Elegance and functionality are the main features of the DIRIGENT design.

The programme comprises inside and outside handles made from aluminium for timber, PVC and aluminium windows and balcony doors.

Standard types

| Description | Execution | Order number |
|--------------|--|----------------|
| DIRIGENT-F | inside ¹ | 6-28072-* |
| DIRIGENT-F/Z | inside, with locking cylinder ¹ | 6-28075-* |
| DIRIGENT-F/F | inside, flat | 6-28101-00-0-* |
| DIRIGENT-F/H | inside, high | 6-28102-00-0-* |
| DIRIGENT-F/A | outside | 6-25993-00-0-* |

¹ also without spindle

Special types

| Description | Execution | Order number |
|-------------------|---------------------------------------|----------------|
| DIRIGENT-F/SP | inside, 45° stop | 6-28094-* |
| DIRIGENT-F/KD | inside, with childproof safety button | 6-30268-* |
| DIRIGENT-F/CHK | inside, with Swiss type night lock | 6-28096-00-0-* |
| DIRIGENT-F/SG | inside handle, removable | 8-00694-33-0-7 |
| DIRIGENT-Kippdreh | inside, first tilt, lockable | 6-31557-* |
| DIRIGENT-F/AF | outside, flat | 6-25223-00-0-* |

Cranked inside handles for outward opening windows and balcony doors (side hung)

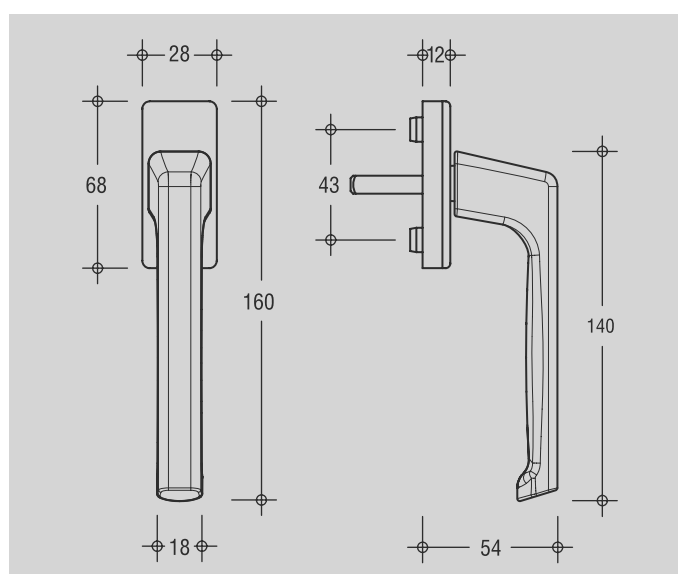
| Description | Execution | Order number |
|------------------|---------------------------|----------------|
| DIRIGENT-F/GF-LS | crank for DIN left, flat | 6-28105-00-0-* |
| DIRIGENT-F/GF-RS | crank for DIN right, flat | 6-28106-00-0-* |

Cranked outside handles for inward opening windows and balcony doors (side hung)

| Description | Execution | Order number |
|-------------------|---------------------------|----------------|
| DIRIGENT-F/AGF-LS | crank for DIN left, flat | 6-27350-00-0-* |
| DIRIGENT-F/AGF-RS | crank for DIN right, flat | 6-27349-00-0-* |

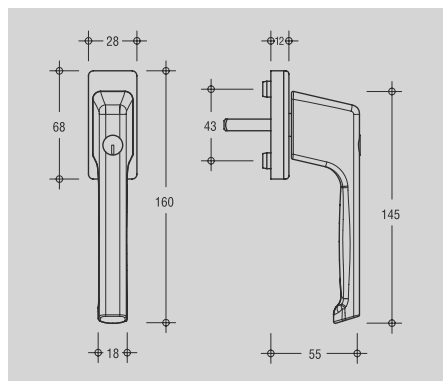
Technical data

| | |
|----------------|--|
| Rosette inside | 28 x 68 mm |
| Stop | 90° or 90° and 45° with F/SP |
| Lug | fixed, Ø 10 mm |
| Lug length | 5 mm |
| Spindle | fixed, 7 x 29, 7 x 33, 7 x 38 or 7 x 43 mm |
| Locking | F/Z all keys alike |
| Rosette cover | pivoting |
| Fixing | concealed |

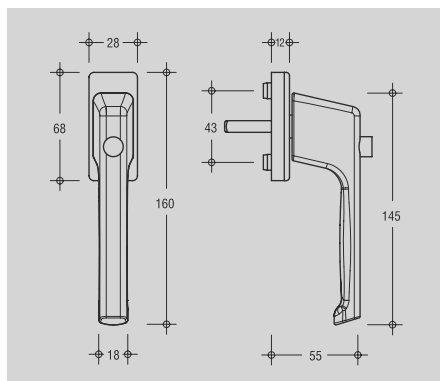


DIRIGENT-F, DIRIGENT-F/SP

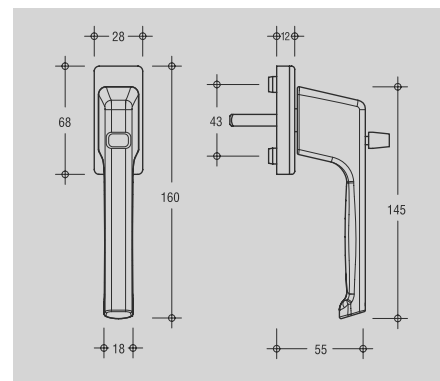
Dimensions of special types



DIRIGENT-F/Z

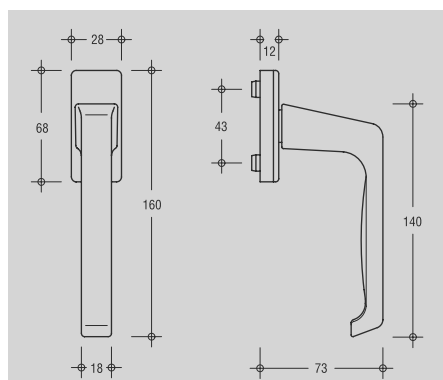


DIRIGENT-F/KD

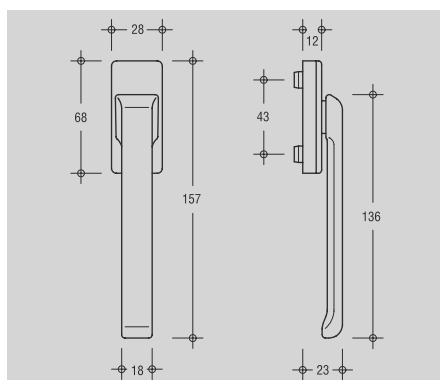


DIRIGENT-F/CHK

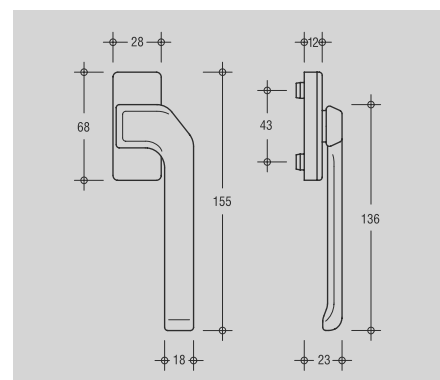
3



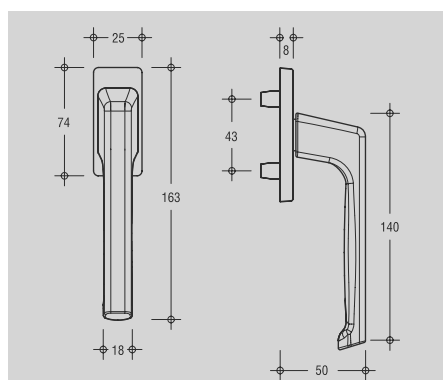
DIRIGENT-F/H



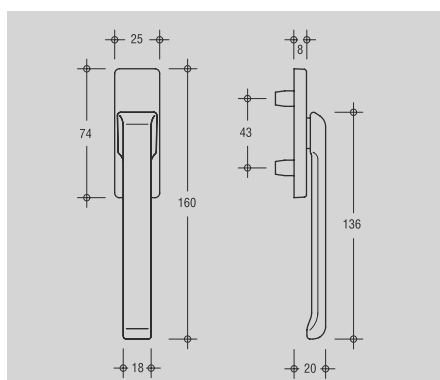
DIRIGENT-F/F



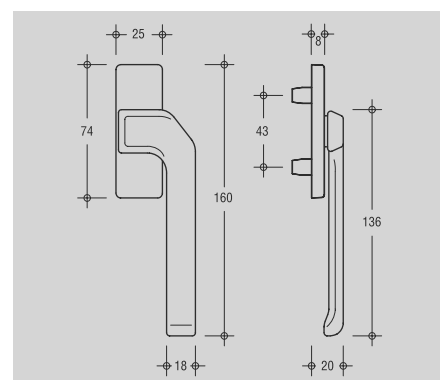
DIRIGENT-F/GF (illustrated: DIN left)



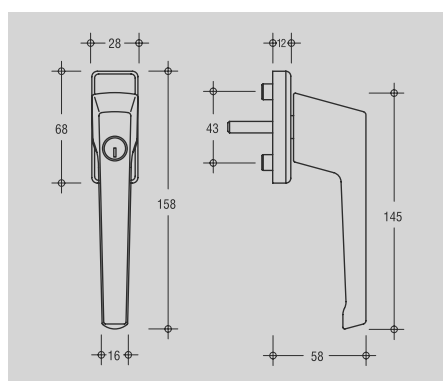
DIRIGENT-F/A



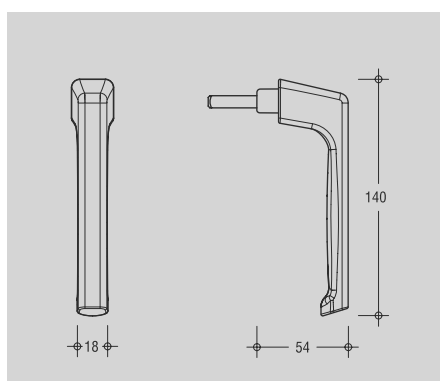
DIRIGENT-F/AF



DIRIGENT-F/AGF (illustrated: DIN left)



DIRIGENT first tilt



DIRIGENT-F/SG

Round and soft shapes are the dominant features of the ADAGIO window handle design. They are operated with ease and feel comfortable. The programme comprises handles made from aluminium for timber, PVC and aluminium windows and balcony doors.

Standard types

| Description | Execution | Order number |
|-------------|-------------------------------|--------------|
| ADAGIO-F | inside ¹ | 6-29548-* |
| ADAGIO-F/Z | inside, with locking cylinder | 6-29549-* |

¹ also without spindle

Special types

| Description | Execution | Order number |
|---------------------|---------------------------------------|--------------|
| ADAGIO-F/Z RAL | inside, tested to RAL 607/9 | 6-29623-* |
| ADAGIO-F/KD | inside, with childproof safety button | 6-29890-* |
| ADAGIO-F 24-Rosette | inside, rosette width 24 mm | 6-31178-* |
| ADAGIO-F/SP | inside, 45° stop | 6-31803-* |

Cranked inside handles for outward opening windows and balcony doors (side hung)

| Description | Execution | Order number |
|---------------|----------------------------------|----------------|
| ADAGIO-F/G-LS | crank DIN left, angular rosette | 6-31323-00-0-* |
| ADAGIO-F/G-RS | crank DIN right, angular rosette | 6-31221-00-0-* |

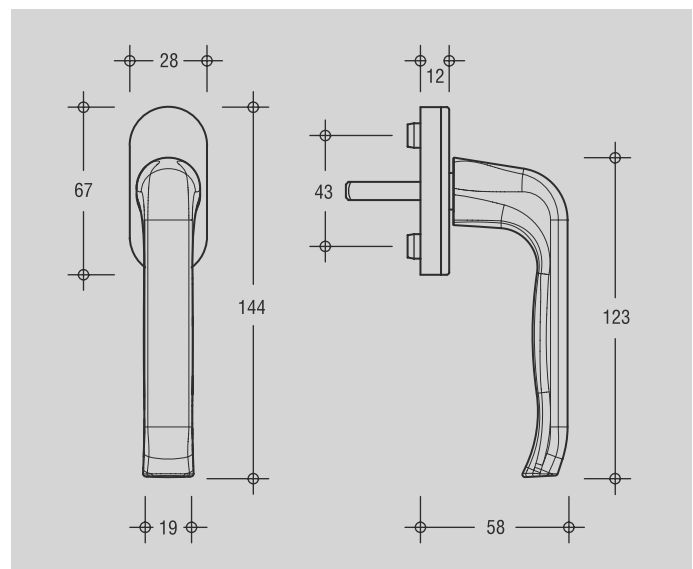
Cranked outside handles for inward opening windows and balcony doors (side hung)

| Description | Execution | Order number |
|----------------|----------------------------------|----------------|
| ADAGIO-F/AG-LS | crank DIN left, angular rosette | 6-32411-00-0-* |
| ADAGIO-F/AG-RS | crank DIN right, angular rosette | 6-32412-00-0-* |

Technical data

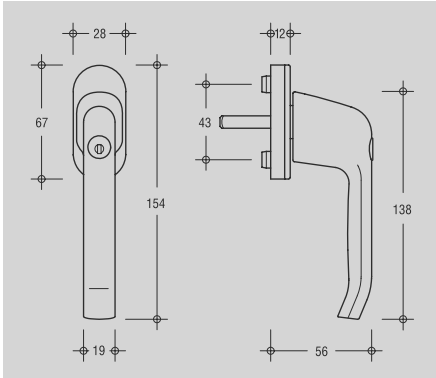
| | |
|----------------|--|
| Rosette inside | 28 x 67 mm (rounded), 28 x 68 mm (angular) 33 x 68 mm F/Z RAL |
| Stop | 90° or 90° and 45° F/SP |
| Lug | fixed, Ø 10 mm |
| Lug length | 5 mm |
| Spindle | fixed, 7 x 29, 7 x 33 or 7 x 38 mm |
| Locking | F/Z all keys alike |
| Rosette cover | pivoting |
| Fixing | concealed |

The type F/Z RAL additionally meets the demands of "WK (= resistance class) tests for burglary-resistant windows"; when twisted, it resists to forces up to 200 Nm.

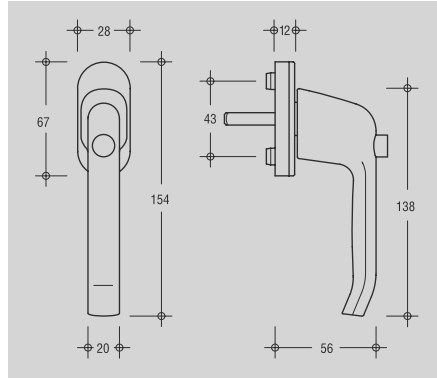


ADAGIO-F, ADAGIO-F/SP

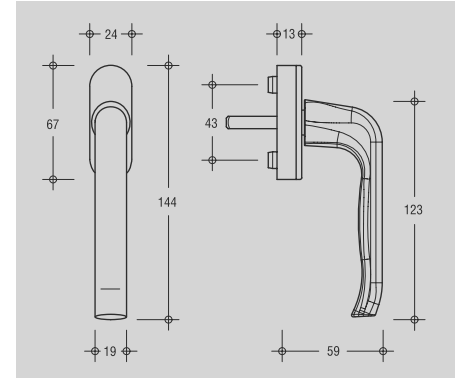
Dimensions of special types



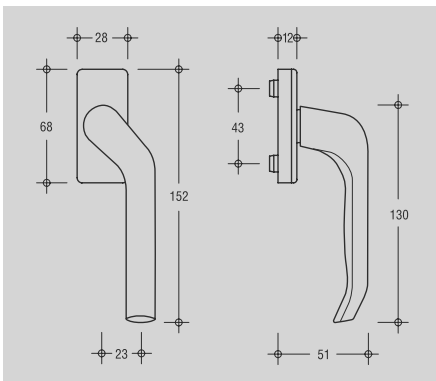
ADAGIO-F/Z



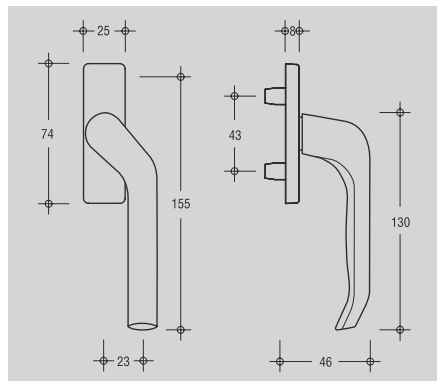
ADAGIO-F/KD



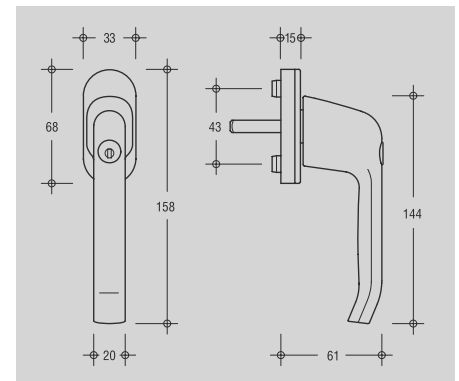
ADAGIO-F24-Rosette



ADAGIO-F/G (illustrated: DIN left)



ADAGIO-F/AG (illustrated: DIN left)



ADAGIO-F/Z RAL

The aesthetic design of the MODENA window handles is characterized by its rounded shape. Great ease of use is guaranteed.

The programme comprises inside handles made from aluminium for timber, PVC and aluminum windows and balcony doors.

Standard types

| Description | Execution | Order number |
|-------------|-------------------------------|--------------|
| MODENA-F | inside | 6-31977-* |
| MODENA-F/Z | inside, with locking cylinder | 6-31978-* |

Special types

| Description | Execution | Order number |
|-------------|------------------|--------------|
| MODENA-F/SP | inside, 45° stop | 6-32319-* |

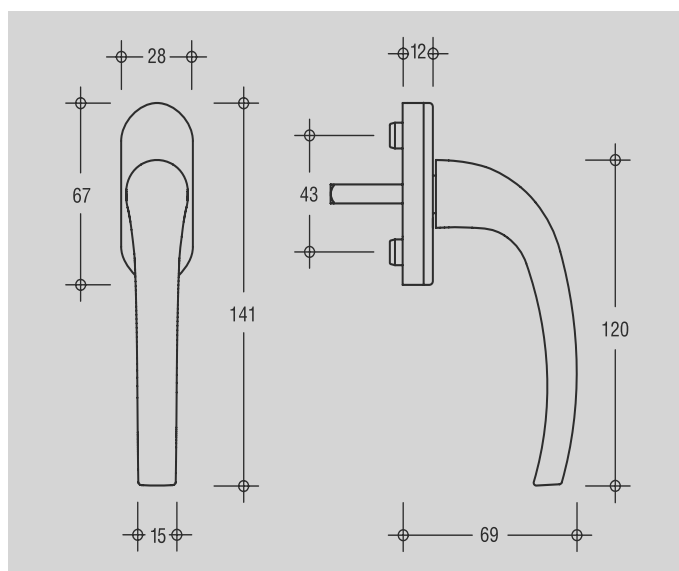
Technical data

| | |
|----------------|------------------------------------|
| Rosette inside | 28 x 67 mm |
| Stop | 90° or 90° and 45° F/SP |
| Lug | fixed, Ø 10 mm |
| Lug length | 5 mm |
| Spindle | fixed, 7 x 29, 7 x 33 or 7 x 38 mm |
| Locking | F/Z all keys alike |
| Rosette cover | pivoting |
| Fixing | concealed |



MODENA-F

MODENA-F/Z



MODENA-F, MODENA-F/SP

A straight line but still soft design feature the window handles SAN REMO – they easily fit in the hand and provide comfortable operation.

The programme comprises inside handles made from aluminium for timber, PVC and aluminum windows and balcony doors.

Standard types

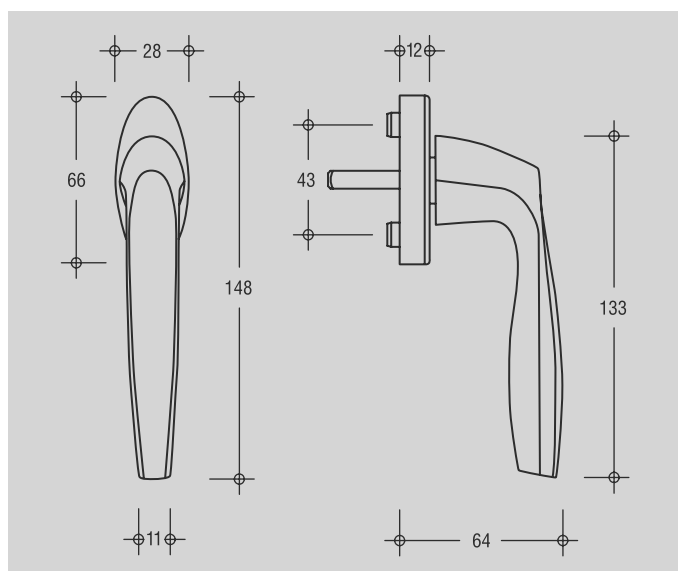
| Description | Execution | Order number |
|--------------|-------------------------------|--------------|
| SAN REMO-F | inside | G-21608-* |
| SAN REMO-F/Z | inside, with locking cylinder | G-21609-* |

Special types

| Description | Execution | Order number |
|---------------|------------------|--------------|
| SAN REMO-F/SP | inside, 45° stop | 6-32363-* |

Technical data

| | |
|----------------|------------------------------------|
| Rosette inside | 28 x 66 mm |
| Stop | 90° or 90° and 45° F/SP |
| Lug | fixed, Ø 10 mm |
| Lug length | 5 mm |
| Spindle | fixed, 7 x 29, 7 x 33 or 7 x 38 mm |
| Locking | F/Z all keys alike |
| Rosette cover | pivoting |
| Fixing | concealed |



SAN REMO-F, SAN REMO-F/SP

G.U Face fixed window lock

Upgradable security for tilt-turn and side hung windows

The face fixed lock is an effective protection against burglary which can be mounted easily. The locking mechanism of the window is locked via the lockable turn handle. It is no longer possible to release lockings from outside when the window glass is damaged or the frame drilled.

The metal bolt engages in the robust locking socket with a throw of 18 mm. As a result, the window sash is protected from being lifted and forced open. With the lockable turn handle and the face fixed lock applied together, a great anti-burglary effect is achieved.

The G.U face fixed lock can be retrofitted on tilt-turn and side hung sashes with 15 mm backset gear. The adaptation to various overlap thicknesses is effected with packers.

Besides the central lock, the face fixed lock provides additional locking of the sash in closed position.

The assembly is simple. The face fixed lock is screwed on the sash under the turn handle. The locking socket is positioned on the frame and fixed with screws. Mounting instructions are enclosed in the packing.

Lateral space requirement

- Timber windows with 4 mm rebate clearance: 26 mm
- Timber windows with Euro rebate: 23 mm
- PVC windows with 20 and 22 mm overlap width: 22 mm

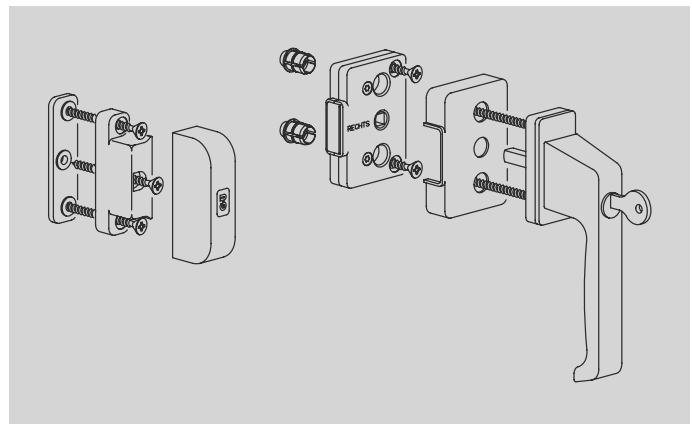


Execution

| Description | Execution | Order number |
|----------------------------|----------------------------------|----------------|
| Box Face fixed window lock | with turn handle DIRIGENT F/Z | K-14662-00-0-* |

Contents of box:

- Turn handle DIRIGENT F/Z, lockable
- Spindle 7 x 75 mm
- Face fixed lock
- Cover for face fixed lock
- Sleeve for Ø 10 mm and 12 mm (2 pcs. each)
- Strike box
- Cover for strike box
- Packing 3 mm, 4 mm, 5 mm, 6 mm (1 piece each)
- Spax countersunk screw 5 x 55 mm (7 pcs.)



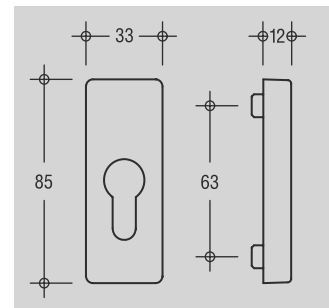
*Finish: 11 = F 1/EV 1, 5 = dark brown, 7 = white (RAL 9016)

Rosettes, squares

Rosette PZ

inside, with cylinder bore and fixed lug Ø 10 mm

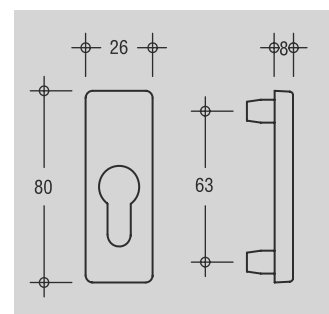
| PU | Description | Order number |
|---------|---------------------|----------------|
| 20 pcs. | Rosette PZ, angular | 6-25224-02-0-* |



Rosette PZ/A

outside, with cylinder bore and fixed lug Ø 10 mm

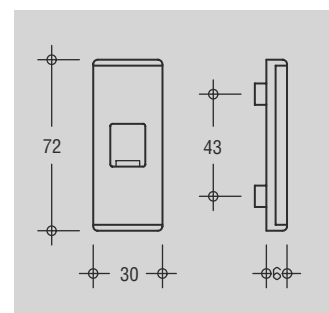
| PU | Description | Order number |
|---------|-----------------------|----------------|
| 20 pcs. | Rosette PZ/A, angular | 9-32407-02-0-* |



Removable rosette F

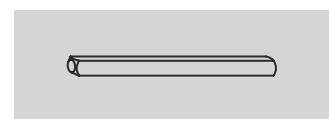
inside – flat, with slide shutter for removable handle

| PU | Description | Order number |
|---------|---------------------|----------------|
| 20 pcs. | Removable rosette F | 6-24913-00-0-* |



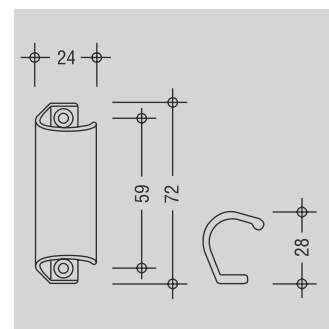
Squares 7 mm

| PU | Square length | Sash thickness | Order number |
|----------|---------------|----------------|----------------|
| 20 pcs. | 70 mm | | 9-26874-16-0-1 |
| 20 pcs. | 118 mm | 56 – 68 mm | 9-26874-56-0-1 |
| 100 pcs. | 131 mm | 69 – 80 mm | 9-26874-69-0-1 |
| 20 pcs. | 143 mm | 81 – 92 mm | 9-26874-81-0-1 |



Fixed pull

| PU | Description | Order number |
|---------|-------------|----------------|
| 50 pcs. | Fixed pull | 9-22921-00-0-* |



Countersunk screw M5 for turn handle fastening

| PU | Count. screw | Inside op., for pin length | Order number |
|----------|--------------|----------------------------|--------------|
| 400 pcs. | M5 x 40 | 29 and 33 mm | 9-13255-40 |
| 1 pc. | M5 x 50 | 38 mm | 9-13255-50 |

| Operation on both sides for sash thickness | | | |
|--|---------|------------|------------|
| 400 pcs. | M5 x 60 | 50 – 54 mm | 9-13255-60 |
| 400 pcs. | M5 x 65 | 55 – 59 mm | 9-13255-65 |
| 400 pcs. | M5 x 70 | 60 – 64 mm | 9-13255-70 |
| 400 pcs. | M5 x 75 | 65 – 69 mm | 9-13255-75 |
| 400 pcs. | M5 x 80 | 70 – 74 mm | 9-13255-80 |
| 400 pcs. | M5 x 85 | 75 – 80 mm | 9-13255-85 |

Product group

B **Parallel slide and tilt fittings,
slide-fold fittings**

4

Parallel slide and tilt fittings and slide-fold fittings for timber and PVC windows and patio doors

Parallel slide and tilt fittings

| | |
|--|------|
| Introduction, optional parts, product information | |
| Introduction | 4.3 |
| Handles and geared handles, accessories | 4.4 |
| Handles DIRIGENT-F, accessories | 4.5 |
| Optional parts | 4.6 |
| Product information, application | 4.10 |
| Product information, sash arrangement | 4.13 |

Fitting requirements, sets

| | |
|---|------|
| Parallel slide and tilt fittings G.U-966/200 mZ Se | |
| with geared handle – basic security | 4.14 |
| with lockable gear – basic security | 4.15 |
| with geared handle – enhanced basic security | 4.16 |
| with lockable gear – enhanced basic security | 4.17 |
| with lockable geared handle – WK 2 | 4.18 |
| with lockable gear – WK 2 | 4.19 |

| | |
|--|------|
| Parallel slide and tilt fittings G.U-966/200 mZ Se Scheme C | |
| Rebate shoot bolt / geared handle – basic security | 4.20 |
| Rebate shoot bolt / lockable gear – basic security | 4.22 |
| Rebate shoot bolt / lockable geared handle – enhanced basic security | 4.24 |
| Rebate shoot bolt / lockable gear – enhanced basic security | 4.26 |
| Rebate shoot bolt / lockable geared handle – WK 2 | 4.28 |
| Rebate shoot bolt / lockable gear – WK 2 | 4.30 |

| | |
|---|------|
| Parallel slide and tilt fittings G.U-966/150 mZ Se | |
| with geared handle – basic security | 4.32 |
| with lockable gear – basic security | 4.33 |
| with geared handle – enhanced basic security | 4.34 |
| with lockable gear – enhanced basic security | 4.35 |
| with lockable geared handle – WK 2 | 4.36 |
| with lockable gear – WK 2 | 4.37 |

| | |
|--|------|
| Parallel slide and tilt fittings G.U-966/150 mZ Se Scheme C | |
| Rebate shoot bolt / geared handle – basic security | 4.38 |
| Rebate shoot bolt / lockable gear – basic security | 4.40 |
| Rebate shoot bolt / lockable geared handle – enhanced basic security | 4.42 |
| Rebate shoot bolt / lockable gear – enhanced basic security | 4.44 |
| Rebate shoot bolt / lockable geared handle – WK 2 | 4.46 |
| Rebate shoot bolt / lockable gear – WK 2 | 4.48 |

| | |
|--|------|
| Parallel slide and tilt fittings G.U-966/150 oZ | |
| Handle inside – handle inside, lockable | 4.50 |

| | |
|---|------|
| Parallel slide and tilt fittings G.U-90 oZ | |
| Handle inside – handle inside, lockable | 4.51 |

Drilling jigs, positioning jigs

| | |
|-------------------------------|------|
| Drilling and positioning jigs | 4.53 |
|-------------------------------|------|

Stay arms, rebate shoot bolts, Positioning and locking plates

| | |
|--|------|
| Positioning and locking plates, rebate shoot bolts according to profile system | 4.55 |
| Boxes of stay arm according to profile system and groove position | 4.60 |

Slide-fold fittings

| | |
|--|------|
| Introduction, optional parts, product information | |
| Introduction | 4.61 |
| Handles DIRIGENT-F, accessories | 4.62 |
| Optional parts | 4.63 |
| Product information, application | 4.64 |
| Product information, sash arrangement | 4.66 |

Fitting requirements, sets PVC windows and patio doors

| | |
|--|------|
| Lift-slide fittings G.U-922, inward opening PVC windows and patio doors | |
| Slide-fold fittings G.U-922 with side hung sash locking mechanism | |
| 3 sashes | 4.69 |
| 5 sashes | 4.70 |
| 4 and 6 sashes, rebate shoot bolt ZH | 4.71 |
| 4 and 6 sashes, rebate shoot bolt ZK | 4.72 |
| 7 sashes | 4.73 |

| | |
|--|------|
| Lift-slide fittings G.U-925, inward opening PVC windows and patio doors | |
| Slide-fold fittings G.U-925 with side hung sash locking mechanism | |
| 3 sashes | 4.74 |
| 5 sashes | 4.75 |
| 4 and 6 sashes, rebate shoot bolt ZH | 4.76 |
| 4 and 6 sashes, rebate shoot bolt ZK | 4.77 |
| 7 sashes | 4.78 |

Drilling jigs, assembly tools

| | |
|---|------|
| Drilling jigs and assembly tools G.U-922, G.U-925 | 4.79 |
|---|------|

Sash hinges, locking plates and packings

| | |
|--|------|
| Sash hinges, locking plates and packings for PVC windows and patio doors | 4.81 |
|--|------|

Order catalogue part 4 Parallel slide and tilt fittings for PVC windows and patio doors

Contents

Part 4 of the present catalogue contains all parallel slide and tilt fittings and accessories to the latest state of the art. The following indications will make you familiar with the concept of the catalogue and help you to handle it easily.

Catalogue structure

The present catalogue part is structured in the following way:

- Optional parts and turn handles
- Sets
- Drilling and assembly tools
- Positioning plates and locking plates

Optional parts and turn handles

The option pages show you optional parts and turn handles for all parallel slide and tilt fittings at a glance. All supplements of standard versions are clearly arranged.

Sets

Fitting requirements according to sash size and scheme

The illustrations of the fittings are supplemented by corresponding parts tables helping to determine the hardware composition.

Parts supplementing standard versions are clearly presented and can be easily selected.

Drilling and positioning jigs

Drilling jigs, positioning jigs and auxiliary tools for hardware assembly are grouped according to fitting types.

Positioning plates, locking plates

Positioning plates and locking plates depending on hardware type, profile system and resistance class are listed in a table at the end of this catalogue chapter.

Order numbers

The order number gives information about

- the article
- its size
- its application - e.g. DIN lh or DIN rh
- its colour/finish

Example

Order number
6-23830-01-0-1

| | | |
|----------|------|---|
| 6-23830- | - - | Article number |
| - | -01- | Size |
| - | -L- | Left hand assembly |
| - | -R- | Right hand assembly |
| - | -0- | Usable on both sides |
| - | - -1 | F 1/EV 1, natural (silver colour), ferGUard*silver |
| - | - -2 | F 2/EV 2, champagne colour |
| - | - -3 | F 3, brass colour or gold colour |
| - | - -4 | UC 3, middle bronze or middle brown |
| - | - -A | F 4, bronze colour |
| - | - -C | Titanium colour |
| - | - -5 | UC 5, dark bronze or dark brown |
| - | - -6 | Onyx matt or black |
| - | - -7 | White, powder coated (RAL 9016) |
| - | - -* | Surface treatment variable (available colours see price list) |

Prices

Single part price list "Total programme"

The prices are listed by ascending article numbers.

Additional sales documentation

Apart from the order catalogue, the following documentation on parallel slide and tilt fittings is available:

- Brochures and leaflets informing about product features and advantages
- Presentation boards of all fitting versions
- Working drawings with mounting instructions
- Instructions for maintenance and care

G.U Data service

HardwareManager

Software designed for the composition and ordering of customer and order related hardware sets for timber and PVC windows and patio doors.

Hardware Data Service

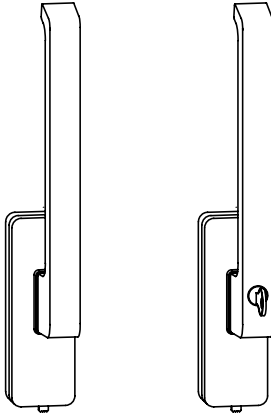
Generation of individual hardware data for the leading window manufacturing software programmes; supply of CNC data for the control of operating processes in window and door manufacture.

Order and customer information system CIS

The CIS system offers versatile communication possibilities:

- online ordering
 - availability check
 - order tracing
 - information on current product range and prices
- Contact: <http://cis.g-u.de>

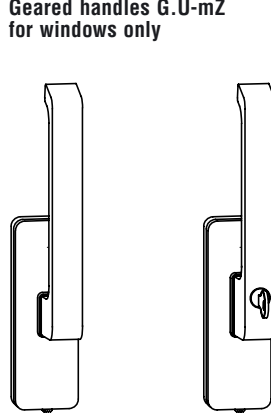
Geared handles and handles for windows and patio doors, accessories Parallel slide and tilt fittings G.U-966/200 mZ, G.U-966/150 mZ



1 geared handle
2 fillister head screws M 5 x 6 for coupling
2 countersunk screws M 5 x 20
2 threaded sleeves

Box of geared handle G.U-mZ
DIRIGENT with anti-lockout device, handle length 240 mm
lockable – keyed alike
for timber and PVC
handle pos. lh K-12920-00-L-
handle pos. rh K-12920-00-R-*

handle pos. lh K-13971-02-L-
handle pos. rh K-13971-02-L-*

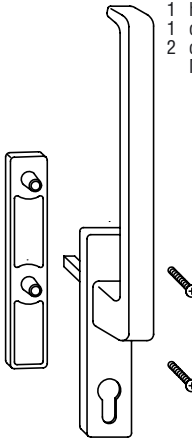


Geared handles G.U-mZ for windows only

1 geared handle
2 fillister head screws M 5 x 6 for coupling
2 countersunk screws M 5 x 20
2 threaded sleeves

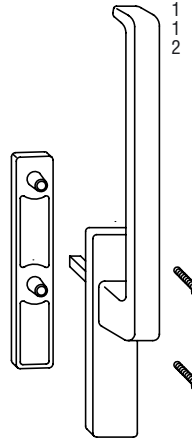
Box of geared handle G.U-mZ
DIRIGENT-HL with anti-lockout device, handle length 180 mm
lockable – keyed alike
for timber and PVC
handle pos. lh K-15328-00-L-
handle pos. rh K-15328-00-R-*

handle pos. lh K-15329-02-L-
handle pos. rh K-15329-02-L-*



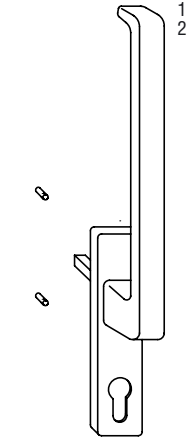
1 handle inside
1 dummy plate outside
2 countersunk screws M 6 x 75

Bag of handle inside G.U-mZ
DIRIGENT with cylinder bore and cams
for timber and PVC windows and patio doors
K-12918-00-0-*



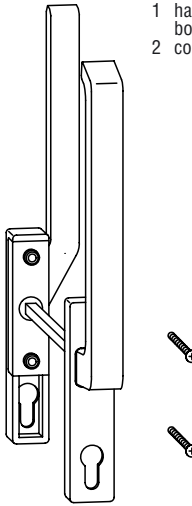
1 handle inside
1 dummy plate outside
2 countersunk screws M 6 x 75

Bag of handle inside G.U-mZ
DIRIGENT without cylinder bore, with cams
for timber and PVC windows and patio doors
K-12921-00-0-*



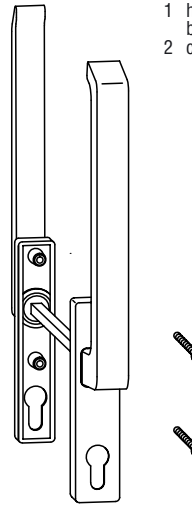
1 handle inside
2 positioning pins

Bag of handle inside G.U-mZ
DIRIGENT with cylinder bore, without cams
for PVC windows and patio doors
6-24623-00-0-*




1 handle for operation from both sides
2 countersunk screws M 6 x 75

Bag of handle for operation from both sides G.U-mZ, projection 15 mm
DIRIGENT with cylinder bore and cams
for timber and PVC patio doors
K-13167-00-0-*




1 handle for operation from both sides
2 countersunk screw M 6 x 75


Bag of handle for operation from both sides G.U-mZ, projection 30 mm
DIRIGENT with cylinder bore and cams
for timber and PVC patio doors
K-12919-00-0-*



Bag of coupling for geared handle G.U-mZ
K-15669-00-0-1
Application:
Sash profiles with overlap thickness >18 mm and groove position 13 mm

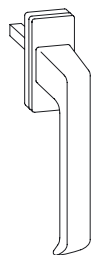


Countersunk screw DIN 965, inside operation
ST
-60 mm M 6 x 65 9-13274-65
61-65 mm M 6 x 70 9-13274-70
71-75 mm M 6 x 80 9-13274-80
76-80 mm M 6 x 85 9-13274-85
81-85 mm M 6 x 90 9-13274-90

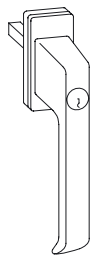


Countersunk screw DIN 965, for operation from both sides
ST
-60 mm M 6 x 75 9-13274-75
61-65 mm M 6 x 80 9-13274-80
66-70 mm M 6 x 85 9-13274-85
71-78 mm M 6 x 90 9-13274-90

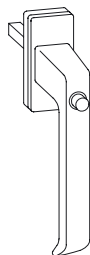
Handles DIRIGENT-F for windows and patio doors, accessories
 Parallel slide and tilt fittings G.U-966/150 oZ, G.U-90 oZ



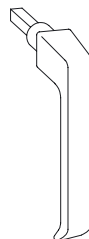
DIRIGENT-F
 Spindle 29 6-28072-29-0-*
 Spindle 33 6-28072-33-0-*



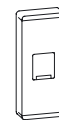
DIRIGENT-F/Z
 with push button cylinder,
 all keys alike
 Spindle 29 6-28075-29-0-*
 Spindle 33 6-28075-33-0-*



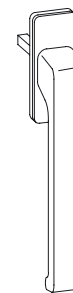
Handle DIRIGENT-F
 with anti-lockout device
 Spindle 29 6-25384-00-0-*



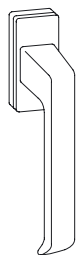
DIRIGENT-F/SG
 Spindle 33 8-00694-33-0-*



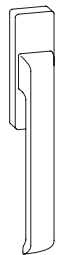
Rosette/F
 inside - flat 6-24913-00-0-*



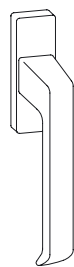
Handle DIRIGENT-HL,
 elongated
 Spindle 31 6-28646-31-0-*
 Spindle 33 6-28646-33-0-*



DIRIGENT-F
 without spindle 6-28072-00-0-*



DIRIGENT-F/AF,
 outside - flat 6-25223-00-0-*



DIRIGENT-F/A,
 outside 6-25993-00-0-*



Spindle
 ST 56-68 9-26874-56-0-1
 ST 69-80 9-26874-69-0-1



Rosette PZ
 inside 6-25224-02-0-*



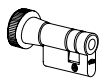
Rosette PZ/A
 outside 9-32407-02-0-*



Inside/outside operation
 Countersunk screw M 5
 ST 56-60 9-13255-60-0-1
 ST 61-70 9-13255-70-0-1
 ST 71-80 9-13255-80-0-1



Inside operation
 Countersunk screw
 M 5 x 40 9-13255-40-0-1

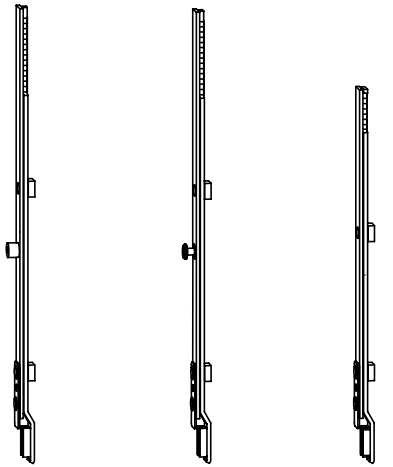


Knob locking
 Backset 25 - 50 mm
 K-13282-00-0-*



Pull handle
 outside 9-22921-00-0-*

Parallel slide and tilt fittings G.U-966/200 mZ, G.U-966/150 mZ



Extension 500
6-24969-00-0-1

Extension 500
with mushroom pin
6-29159-00-0-1

Extension 250
6-24737-00-0-1



Stop
P 1225
6-30388-00-0-6



Protective cap
for rebate lever
9-34300-00-0-9



Packing
for wheel carriage
EURODUR 3S
9-39166-00-0-6
PU 100



Spax countersunk screw
4 x 16 9-13246-16 PU 100
4 x 30 9-13246-30 PU 100
5 x 40 9-13295-40 PU 100



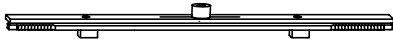
Locking plate
Scheme C/ZH
False mullion with
rebate clearance
12 mm 9-31960-00-0-1 PU 100
16 mm 9-32063-00-0-1 PU 100
Countersunk screw
9-13281-10-R-1 PU 400



Locking plate Se
Scheme C/ZH
False mullion with
rebate clearance
12 mm 9-39186-00-0-1 PU 100
16 mm 9-39211-00-0-1 PU 100
Countersunk screw
9-13281-10-R-1 PU 400

1 locking plate with
electronic component,
cable length 4,0 m
1 alarm pin

**Bag of magnetic switch
for monitoring of
locking state
K-15161-00-0-0**



Centre piece, horizontal
SRW 851-1100 = 1 ML
6-23516-01-0-1

Running rail for thick profiles – thickness of sash overlap from 18 mm

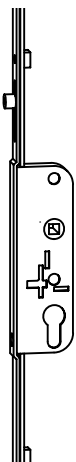
Running rail P 1585
for G.U-966/200 mZ with
opening width increased by 4 mm

9-38213-67-0-*

Running rail P 1664
for G.U-966/150 mZ with
opening width increased by 4 mm

9-40033-67-0-*

Gears, lockable – forend with locking pin



Gear 25, lockable – backset 25 mm

| SRH | Forend | ML | G | PU | Article No. |
|-----------|--------|----|-----|----|----------------|
| 820-960 | 431 | | 440 | 10 | 6-31497-01-0-1 |
| 961-1120 | 590 | | 500 | 10 | 6-31497-02-0-1 |
| 1121-1370 | 840 | | 500 | 10 | 6-31497-03-0-1 |
| 1371-1620 | 1090 | 1 | 600 | 10 | 6-31497-04-0-1 |
| 1621-1870 | 1340 | 1 | 600 | 10 | 6-31497-05-0-1 |
| 1621-1870 | 1340 | 1 | 980 | 10 | 6-31497-55-0-1 |
| 1871-2120 | 1590 | 2 | 980 | 10 | 6-31497-06-0-1 |
| 2121-2370 | 1840 | 2 | 980 | 10 | 6-31497-07-0-1 |

Gears for large sash profiles and
aluminium-timber constructions

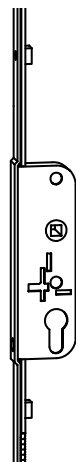
Gear 45, lockable – backset 45 mm

| SRH | Forend | ML | G | PU | Article No. |
|-----------|--------|----|-----|----|----------------|
| 1621-1870 | 1340 | 1 | 980 | 10 | 6-30391-55-0-1 |
| 1871-2120 | 1590 | 2 | 980 | 10 | 6-30391-06-0-1 |

Gear 50, lockable – backset 50 mm

| SRH | Forend | ML | G | PU | Article No. |
|-----------|--------|----|-----|----|----------------|
| 1621-1870 | 1340 | 1 | 980 | 10 | 6-30392-55-0-1 |
| 1871-2120 | 1590 | 2 | 980 | 10 | 6-30392-06-0-1 |

Gears, lockable – forend without locking pin, prepared for assembly of locking plates



Gear 30, lockable – backset 30 mm

| SRH | Forend | ML | G | PU | Article No. |
|-----------|--------|----|-----|----|----------------|
| 1371-1620 | 1090 | 1 | 600 | 10 | 6-29881-04-0-1 |
| 1621-1870 | 1340 | 1 | 980 | 10 | 6-29881-55-0-1 |

Gear 40, lockable – backset 40 mm

| SRH | Forend | ML | G | PU | Article No. |
|-----------|--------|----|-----|----|----------------|
| 1371-1620 | 1090 | 1 | 600 | 10 | 6-29880-04-0-1 |
| 1621-1870 | 1340 | 1 | 980 | 10 | 6-29880-55-0-1 |

Gear 50, lockable – backset 50 mm

| SRH | Forend | ML | G | PU | Article No. |
|-----------|--------|----|-----|----|----------------|
| 1371-1620 | 1090 | 1 | 600 | 10 | 6-32576-04-0-1 |
| 1621-1870 | 1340 | 1 | 980 | 10 | 6-32576-55-0-1 |

Parallel slide and tilt fittings G.U-966/200 mZ, G.U-966/150 mZ
 Box of stays G.U-mZ – corner transmissions with round locking pin

Box of stays G.U-mZ – schemes A, D, G, K and C, active sash

| | | | | |
|-----------------------------|--------------|---------------|----------------|------|
| Timber, PVC profile systems | Groove 9 mm | Handle pos lh | K-14139-00-L-1 | PU 1 |
| | Groove 9 mm | Handle pos rh | K-14139-00-R-1 | PU 1 |
| PVC profile systems | Groove 13 mm | Handle pos lh | K-14191-00-L-1 | PU 1 |
| | Groove 13 mm | Handle pos rh | K-14191-00-R-1 | PU 1 |

Contents:
 1 stay, front
 1 stay, rear
 1 corner transmission, front
 1 corner transmission, rear
 1 coupling, groove 9 mm
 1 coupling, groove 13 mm
 8 stopping plates

4

Box of stays G.U-mZ – scheme C/ZH false mullion

| | | | | |
|-----------------------------|--------------|---------------|----------------|------|
| Timber, PVC profile systems | Groove 9 mm | Handle pos lh | K-14190-00-L-1 | PU 1 |
| | Groove 9 mm | Handle pos rh | K-14190-00-R-1 | PU 1 |
| PVC profile systems | Groove 13 mm | Handle pos lh | K-14911-00-L-1 | PU 1 |
| | Groove 13 mm | Handle pos rh | K-14911-00-R-1 | PU 1 |

Contents:
 1 stay, front
 1 stay, rear
 1 corner transmission, front
 1 corner transmission, rear
 1 bag of locking plates
 8 stopping plates

Box of stays G.U-mZ – scheme C/ZK false mullion

| | | | | |
|-----------------------------|--------------|---------------|----------------|------|
| Timber, PVC profile systems | Groove 9 mm | Handle pos lh | K-14189-00-L-1 | PU 1 |
| | Groove 9 mm | Handle pos rh | K-14189-00-R-1 | PU 1 |
| PVC profile systems | Groove 13 mm | Handle pos lh | K-14192-00-L-1 | PU 1 |
| | Groove 13 mm | Handle pos rh | K-14192-00-R-1 | PU 1 |

Contents:
 1 stay, front
 1 stay, rear
 1 corner transmission, front
 1 corner transmission, rear
 1 bag of locking plates
 1 rebate lever ZK
 2 Spax countersunk screws
 8 stopping plates

Parallel slide and tilt fittings G.U-966/200 mZ Tandem runner for sashes with heavy glazing

Rod Runner T, front

Runner T, rear Rod

Box of runners G.U-966/200 T
Timber, PVC profile systems

| | | |
|----------------|----------------|------|
| Handle pos. lh | K-15508-00-L-0 | PU 1 |
| Handle pos. rh | K-15508-00-R-0 | PU 1 |

Contents:
1 runner G.U-966/200 T, front
1 runner G.U-966/200 T, rear
2 rods, Ø 10 mm

Application
Sashes with special, heavy glazing

Parallel slide and tilt fittings G.U-966/200 mZ Box of middle stay G.U-mZ for sash rebate widths SRW from 1851 to 2000 mm

Middle stay G.U-mZ with stay arm glider

Centre piece, horizontal

Box of middle stay G.U-mZ
Timber and PVC

| | | | |
|--------------|----------------|----------------|------|
| Groove 9 mm | Handle pos. lh | K-15486-00-L-1 | PU 1 |
| | Handle pos. rh | K-15486-00-R-1 | PU 1 |
| Groove 13 mm | Handle pos. lh | K-15487-00-L-1 | PU 1 |
| | Handle pos. rh | K-15487-00-R-1 | PU 1 |

Contents:
1 middle stay G.U-mZ with stay arm glider
1 centre piece, horizontal

Application:
SRW 1851-2000 mm

Middle stay G.U-mZ with stays arm glider

Centre piece, horizontal

Box of middle stay G.U-mZ
WK 2 – Timber and PVC

| | | | |
|--------------|----------------|----------------|------|
| Groove 9 mm | Handle pos. lh | K-15488-00-L-1 | PU 1 |
| | Handle pos. rh | K-15488-00-R-1 | PU 1 |
| Groove 13 mm | Handle pos. lh | K-15489-00-L-1 | PU 1 |
| | Handle pos. rh | K-15489-00-R-1 | PU 1 |

Contents:
1 middle stay G.U-mZ with stay arm glider
1 centre piece, horizontal

Application:
SRW 1851-2000 mm

Sliding hardware for window and patio door sashes

According to the defined manufacturer's liability described in paragraph 4 of the German "product liability law", the following information regarding sliding hardware for window and patio door sashes should be observed. Non-compliance exempts the manufacturer of his liability.

1. Product information and specified application

Sliding hardware as covered by this definition is hardware for sliding sashes of patio doors and windows, mainly used as glazed exterior structures. Fixglazed units and/or further sashes i.e. side hung sashes for cleaning purposes can be situated in a window element in combination with the sliding sashes.

Sashes equipped with this sliding hardware are capable of:

- sliding,
- lifting and sliding,
- tilting and sliding,
- lifting, tilting and sliding
- parallel retracting and sliding,
- tilting, parallel retracting and sliding.

Sliding hardware is used on vertically installed window and balcony door sashes made of timber, PVC, aluminium or steel, and their corresponding material combinations.

Sliding hardware as covered by this definition, is equipped with a locking mechanism that locks the sliding sash to the frame, as well as rollers located on the bottom horizontal side of the sliding sash. In addition, scissors stay arms for tilting and mechanisms for lifting and/or parallel retracting the sashes can be designated. By means of the hardware, the sashes are locked, brought into the ventilation position and pushed to the side.

Differing applications are not in compliance with the hardware's specified application.

Burglar-resistant windows and patio doors, windows and patio doors for damp rooms and those for use in environments with aggressive, corrosive air content, require hardware adapted for the respective application and individually agreed upon performance features.

Opened window and patio door sashes achieve only a shielding function and do not meet any demands on joint impermeability, water tightness, sound reduction, heat insulation and burglary resistance.

In the case of wind and draught, the window and patio door sashes must be closed and locked.

2. Misuse

Misuse – therefore not the specified product utilisation – of sliding hardware for windows and balcony doors occurs in particular:

- if obstacles are inserted into the opening vicinity, thus preventing its proper specified use,
- if additional loads are put on windows or balcony door sashes,
- if while sliding over and/or locking, someone reaches between the sash and frame, and/or a person or body part is in this vicinity while sliding.

3. Liability

The respective entire hardware set may only consist of G.U hardware components. In the case of inappropriately assembled hardware, and/or in case of non original accessory components and/or non factory-approved accessory components, no liability is accepted. For professional assembly G.U working drawings and mounting instructions are to be consulted.

4. Product performance

4.1 Maximum sash weights

The following listed maximum sash weights for the individual hardware versions must not be exceeded.

| Type of hardware | Maximum sash weight kg | Maximum sash width [1] mm |
|----------------------------------|------------------------|---------------------------|
| Parallel slide and tilt fittings | | |
| G.U-966/200 mZ [1] | 200 | 2000 |
| G.U-966/150 mZ | 150 | 1600 |
| G.U-966/150 oZ | 130 | 1600 |
| G.U-90 oZ | 90 | 1600 |

[1] For sash rebate widths SRW 1851 – 2000 mm, an additional middle stay arm is required.

4.2 Hardware composition

The manufacturer's regulations concerning the composition of hardware are obligatory (for example the arrangement of exterior handles, the hardware layout for burglary resistant window and patio door sashes).

5. Product maintenance

Security relevant hardware components are to be examined at least once a year for stability and wear and tear. Depending on the requirements, the fixing screws are to be tightened and/or parts replaced. In addition to this, the following maintenance work is to be carried out annually:

- All movable parts and all locking points of the sliding hardware are to be greased and tested.
- Only cleaning and maintenance agents which do not damage the corrosion protection of the hardware components are to be used.

Hardware adjustments as well the replacement of parts are to be carried out by a specialist company.

6. Obligation to issue information and instructions

To fulfil the information and instruction obligations as well as the maintenance operations according to the "product liability law", the following documentation is made available:

- for planning engineers "planning documents"
- for authorized dealers "catalogues"
- for fabricators "installation instructions" and "assembly drawings"
- for builders and end users: "service and maintenance instructions" as well as "operating manuals".

In order to safeguard the function of sliding hardware for windows and patio doors:

- Planning engineers are obliged to request and comply with the manufacturers' or authorized dealers' product information.
- The authorized dealers are obliged to observe and request the product information from the manufacturer and to pass them on to the fabricators, in particular installation instructions, assembly drawings, service and maintenance instructions as well as operating manuals.
- Fabricators are obliged to observe the product information and in particular to request service and maintenance instructions as well as operating manuals from the manufacturer or authorized dealer and to pass them on to the builders and end users.

7. Applicability for related hardware

Related hardware with sliding rolls and locks – for example hardware for slide-fold doors – is to be treated according to the corresponding valid features of product performance, product maintenance, specified use/application and misuse, product information and instruction obligations.

Parallel slide and tilt fittings for PVC windows and patio doors

Application

Range of applications for G.U parallel slide and tilt fittings:

- Parallel slide and tilt patio doors with 2 to 4 sashes
- Parallel slide and tilt windows with 2 to 4 sashes each with running and gliding rails.

Designs

Parallel slide and tilt fittings G.U-966/200 mZ Se and G.U-966/150 mZ Se – basic security

Security fittings with 4-wheel carriages and clamp fixed connecting rods. Corner transmissions with stainless steel mushroom pins for security locking plates. Wheels made of fabric reinforced laminated plastic with ball bearing. Locking mechanism G.U-mZ with forced control, opening width 118 mm. Centre gear with geared handle. Lockable gears with 30, 40, 45 or 50 mm backset, prepared for use with a profile cylinder.

| | |
|-------------------|--|
| G.U-966/200 mZ Se | Sash weight up to 200 kg [1] SRW 720-2000 mm [1], SRH 820-2370 mm |
| G.U-966/150 mZ Se | Sash weight up to 150 kg SRW 720-1600 mm, SRH 820-2370 mm |

Parallel slide and tilt fittings G.U-966/200 mZ Se and G.U-966/150 mZ Se – enhanced basic security

Security fittings with 4-wheel carriages and clamp fixed connecting rods. Stays and corner transmissions with stainless steel mushroom pins for security locking plates. Wheels made of fabric reinforced laminated plastic with ball bearing. Locking mechanism G.U-mZ with forced control, opening width 118 mm. Centre gear with geared handle. Lockable gears with 30, 40, 45 or 50 mm backset, prepared for use with a profile cylinder.

| | |
|-------------------|--|
| G.U-966/200 mZ Se | Sash weight up to 200 kg [1] SRW 720-2000 mm [1], SRH 820-2370 mm |
| G.U-966/150 mZ Se | Sash weight up to 150 kg SRW 720-1600 mm, SRH 820-2370 mm |

Parallel slide and tilt fittings G.U-966/200 mZ Se and G.U-966/150 mZ Se – WK 2

Security fittings with 4-wheel carriages and clamp fixed connecting rods. Stays, corner transmissions, centre pieces and gears with stainless steel mushroom pins for security locking plates. Wheels made of fabric reinforced laminated plastic with ball bearing. Locking mechanism G.U-mZ with forced control, opening width 118 mm. Centre gear with geared handle. Lockable gears with 30, 40, 45 or 50 mm backset, prepared for use with a profile cylinder.

| | |
|-------------------|--|
| G.U-966/200 mZ Se | Sash weight up to 200 kg [1] SRW 720-2000 mm [1], SRH 820-2370 mm |
| G.U-966/150 mZ Se | Sash weight up to 150 kg SRW 720-1600 mm, SRH 820-2370 mm |

Parallel slide and tilt fittings G.U-966/150 oZ and G.U-90 oZ

Fittings for single sashes with 4-wheel carriages and clamp fixed connecting rod. Wheels made of fabric reinforced laminated plastic with ball bearing. Locking mechanism G.U-oZ without forced control.

| | |
|----------------|--|
| G.U-966/150 oZ | Gear with 15 mm backset, lockable gear with 25 to 50 mm backset. Sash weight up to 130 kg [1] SRW 640-1600 mm, SRH 700-2350 mm |
| G.U-90 oZ | Sash weight up to 90 kg SRW 700-1600 mm, SRH 700-2350 mm |

Positioning plates, locking plates

Positioning plates and locking plates according to rebate variants of timber profiles and PVC profile systems are listed in a table at the end of this catalogue chapter.

Drilling and positioning jigs

Drilling jigs, positioning jigs and auxiliary tools for hardware assembly are grouped according to fitting types.

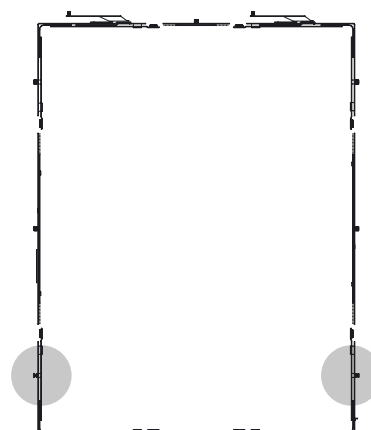
Handles

The handles are made of aluminium with concealed fixings. Rosettes with robust retaining feature. Standard version for parallel slide and tilt fittings G.U-966/200 mZ and G.U-966/150 mZ: geared handle with anti-lockout device; standard version for parallel slide and tilt fittings G.U-966/150 oZ: handle DIRIGENT-F.

Handles for operation from both sides complete the programme.

Running rails P 1213, P 1300, P 1585, P 1664

Aluminium running rails, suitable for use with parallel slide and tilt sashes with standard and special fittings.



PST locking mechanisms mZ

Basic security

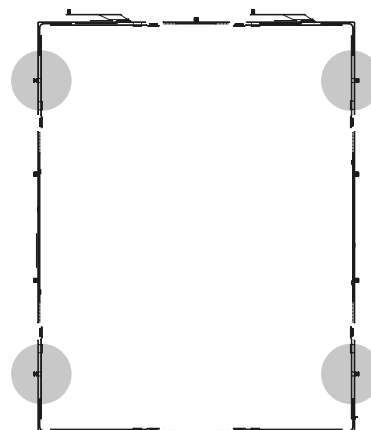
- 2 Steel mushroom pin locking plates for corner transmissions
- standard security for PST locking mechanisms
- all other locking pins with standard locking plates made of zinc



Standard locking plates made of zinc



Mushroom pin locking plates Se made of steel



Enhanced basic security

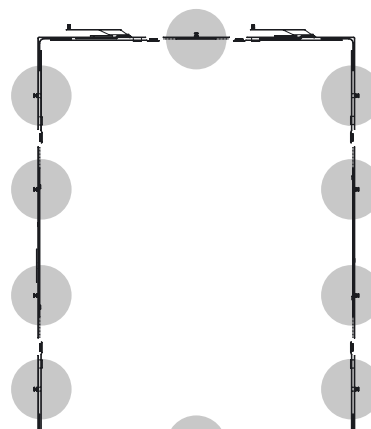
- 4 Steel mushroom pin locking plates Se for corner transmissions and stays
- additional security for PST locking mechanisms
- all other locking pins with standard locking plates made of zinc



Standard locking plates made of zinc



Mushroom pin locking plates Se made of steel



Tested security WK 2

All locking pins on corner transmissions, stays and centre pieces or gears with mushroom pin steel locking plates Se.

- Security "WK 2" to ENV 1627



Mushroom pin locking plates Se made of steel

Parallel slide and tilt fittings for PVC windows and patio doors

Gliding rail P 1225

Aluminium gliding rail for parallel slide and tilt sashes (top guide).

Standard colours

Parallel slide and tilt fittings are supplied in the following standard colours:

| | |
|--------------|---|
| EV 1 | Visible aluminium parts anodized EV 1, cover profiles grey |
| UC 3 | Visible aluminium parts anodized middle bronze, cover profiles middle brown |
| UC 5 | Visible aluminium parts anodized dark bronze, cover profiles dark brown |
| white | Visible aluminium parts anodized EV 1, cover profiles white |

Further colours and finishes on request.

Materials, surface sealing ferGUard*silver

The fitting parts are made of high quality steel, zinc die-casting and aluminium alloys. According to the material they are protected against corrosion by the surface sealing ferGUard*silver, aluminium parts are anodised.

Standard surface sealing of parallel slide and tilt fittings: ferGUard*silver

All locking components of parallel slide and tilt fittings come with the surface sealing ferGUard*silver.

Abbreviations

| | |
|-----|-------------------------|
| CB | Cylinder bore |
| G | Fixed gear position |
| lh | left hand |
| ML | Middle lock |
| PST | Parallel slide and tilt |
| PU | Packing unit |
| PZ | Profile cylinder |
| rh | right hand |
| Se | Security fittings |
| SO | Sash overlap |
| SRH | Sash rebate height |
| SRW | Sash rebate width |
| ST | Sash thickness |
| TFW | Total frame width |

The newly developed sealing ferGUard*silver sets the standard

Surface coating free of chromate providing optimum corrosion protection = ferGUard

- Over the years, plaster, cement, paint and cleaning detergents considerably affect the surface of builder's hardware. Possible consequence: claims
- Due to the surface sealing ferGUard*silver, damage through corrosion involving reclamation is reliably prevented. The finish ferGUard*silver consists of a new combined coating (zinc + passivation without hexavalent chromium + additional coating) of superior anti-corrosive qualities.
- The coats are applied without organic components, heavy metals and hexavalent chromium; that is, the new surface sealing ferGUard*silver is environment-friendly and up to date.
- Another advantage: The new finish ferGUard*silver produces an impressively even, silvery finish on the fitting parts: A new, additional sales argument with your customers.

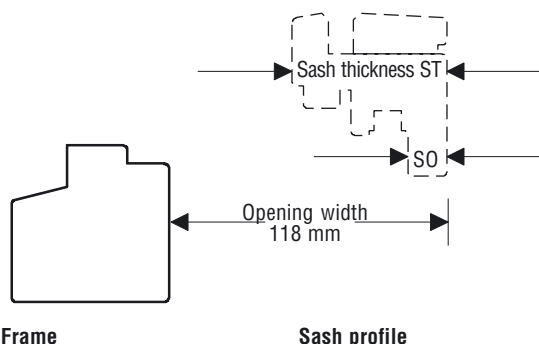
How does the additional coating work?

As before, the fitting parts are protected by a zinc coat with succeeding yellow passivation (method: zinc + standard chromizing). The new additional coat was developed in cooperation with leading suppliers of chemical engineering and with the automotive industry. After the usual treatment, the fitting components are covered with an inorganic coat in an additional procedure. This process step is carried out on a fully automatic and computer controlled production line. The additional coat deeply permeates into the passivated coat, sealing the whole component firmly and permanently. Special corrosion inhibitors additionally retard the beginning of corrosion.

All in all, the new **G.U finish** offers to dealers, manufacturers and customers a large variety of **advantages**:

- Considerably improved corrosion protection due to additional coating.
- Longer product life of windows and doors.
- Without organic components and heavy metals, the new G.U finish is environment-friendly and up to date.
- If there is mechanic damage to the surface or if a component is cut (e.g. forend cut to length), the blank spot will not corrode due to the sacrificial protective effect of the zinc coat.
- Fewer customer claims due to a finish more resistant against detergents and household chemicals than others.
- Even, silvery finish of fitting parts throughout our complete product range.
- Complying with the environmental regulations of the EC, our newly developed coating system ferGUard*silver does not contain hexavalent chromium.

System sketch "Opening width"

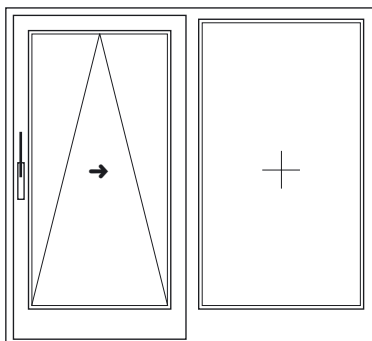


Maximum sash thickness ST

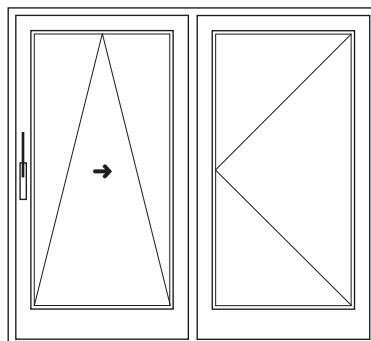
| | |
|-----------------------------|---|
| Side part as fixed glazing | = 115 mm |
| Side part as side hung sash | = 115 mm – thickness of sash overlap SO |

Parallel slide and tilt fittings for PVC windows and patio doors

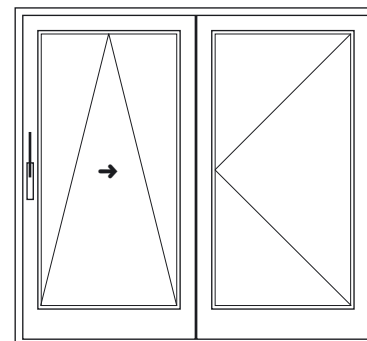
Sash arrangement according to schemes A to K



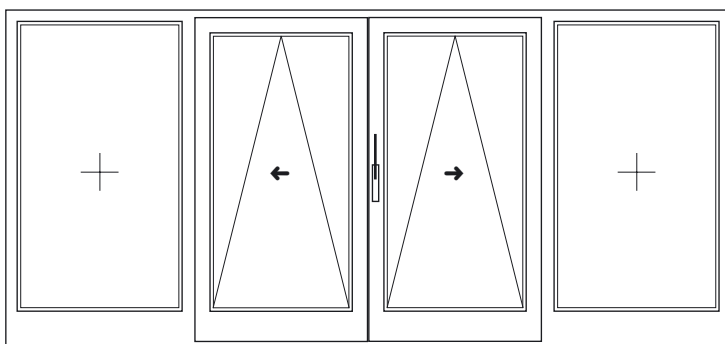
Scheme A – with mullion
1 parallel slide and tilt door, 1 fixed glazing
Drawing shows handle position lh



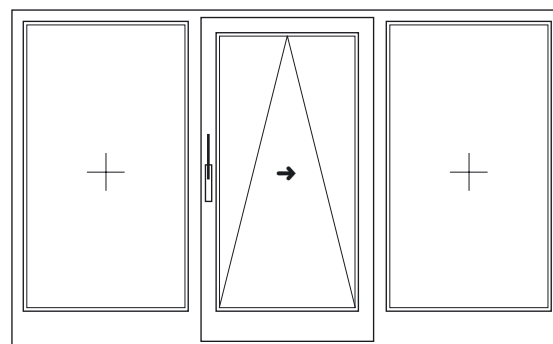
Scheme A – with mullion [1] [3]
1 parallel slide and tilt door, 1 side hung door
Drawing shows handle position lh



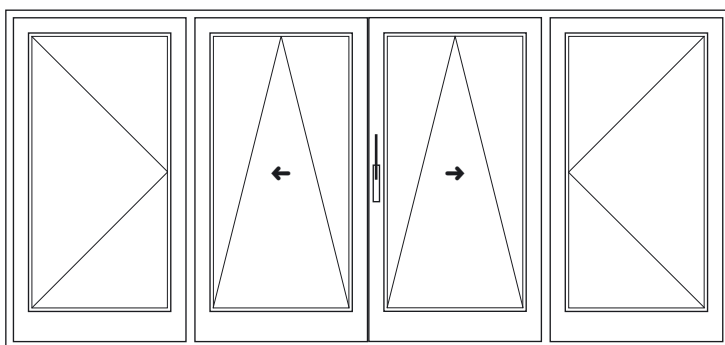
Scheme D – without mullion [2]
1 parallel slide and tilt door, 1 side hung door. Drawing shows handle position lh



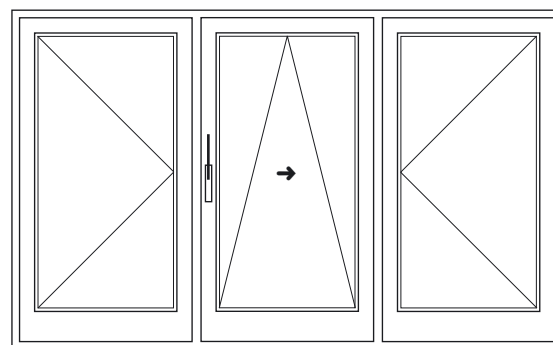
Scheme C – with mullion
2 parallel slide and tilt doors, 2 fixed glazings
Drawing shows first opening sash with handle position lh



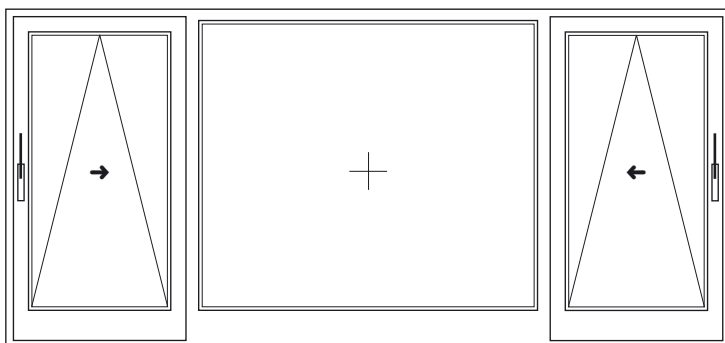
Scheme G – with mullion
1 parallel slide and tilt door, 2 fixed glazings
Drawing shows handle position lh



Scheme C – with mullion [1]
2 parallel slide and tilt doors, 2 side hung doors
Drawing shows first opening sash with handle position lh



Scheme G – with mullion [1] [3]
1 parallel slide and tilt door, 2 side hung doors
Drawing shows handle position lh



Scheme K – with mullion [3]
2 parallel slide and tilt doors, 1 fixed glazing
Drawing shows handle position lh and handle position rh

Legend:

- [1] Schemes A, C and G with side hung sash:
Side hung sash fittings UNI-JET with handle DIRIGENT-F/SG 8-00694-33-0-* and rosette/F, inside – flat 6-24913-00-0-*, locking plates according to profile.
- [2] Scheme D:
Side hung sash with UNI-JETrebate shoot bolt, locking plates according to profile.
- [3] Schemes A, G, K with security fittings:
Side hung sash fittings UNI-JET Se "Enhanced basic security".

Basic security – Timber and PVC, groove position 9 and 13 mm with geared handle

End cap 9-30142-00-0-*, Running rail P 1225

Cover rail P 1226

Stay arm cover 9-35573-00-0-*

Stay arm glider 6-22755-00-0-0
Stay, front
Groove 9
lh 6-29613-00-L-1
rh 6-29613-00-R-1
Groove 13
lh 6-29632-00-L-1
rh 6-29632-00-R-1

Centre gear, horizontal

Stay arm glider 6-22755-00-0-0
Stay, rear
Groove 9
lh 6-29624-00-L-1
rh 6-29624-00-R-1
Groove 13
lh 6-29634-00-L-1
rh 6-29634-00-R-1

Fitting requirements according to size of sashes for schemes A to K

| Qty. | A | D | G | K | Description | PU | Article No. | Handle pos. lh | Handle pos. rh | |
|------|----|----|----|---|---|-----------|-------------------|----------------|----------------|----------------|
| 1 | 1 | 1 | 2 | | Box of runners G.U-966/200 | 1 | K-15266-00-L-0 | | K-15266-00-R-0 | |
| 1 | 1 | 1 | 2 | | Box of stays G.U-mZ Timber, PVC profiles – groove 9 PVC profiles – groove 13 | 1 | K-15205-00-L-1 | | K-15205-00-R-1 | |
| | | | | | | 1 | K-15204-00-L-1 | | K-15204-00-R-1 | |
| 1 | 1 | 1 | 2 | | Box of geared handle G.U-mZ [1] DIRIGENT with anti-lockout device | 1 | K-12920-00-L-* | | K-12920-00-R-* | |
| 2 | 2 | 2 | 4 | | Centre gear, vertical SRH Forend ML G | | | | | |
| | | | | | 820- 960 | 431 | 440 | 10 | 6-23886-01-0-1 | |
| | | | | | 961-1120 | 590 | 500 | 10 | 6-23886-02-0-1 | |
| | | | | | 1121-1370 | 840 | 500 | 10 | 6-23886-03-0-1 | |
| | | | | | 1371-1620 | 1090 | 1 | 600 | 10 | 6-23886-04-0-1 |
| | | | | | 1621-1870 | 1340 | 1 | 600 | 10 | 6-23886-05-0-1 |
| | | | | | 1621-1870 | 1340 | 1 | 980 | 10 | 6-23886-55-0-1 |
| | | | | | 1871-2120 | 1590 | 2 | 980 | 10 | 6-23886-06-0-1 |
| | | | | | 2121-2370 | 1840 | 2 | 980 | 10 | 6-23886-07-0-1 |
| 2 | 2 | 2 | 4 | | Centre gear, horizontal SRW Forend ML | | | | | |
| | | | | | 720-1100 | 480 | | 10 | 6-23830-01-0-1 | |
| | | | | | 1101-1350 | 730 | 1 | 10 | 6-23830-02-0-1 | |
| | | | | | 1351-1600 | 980 | 1 | 10 | 6-23830-03-0-1 | |
| | | | | | 1601-1850 | 1230 | 2 | 10 | 6-23830-14-0-1 | |
| 1 | 1 | 1 | 2 | | Box of middle stay G.U-mZ Timber, PVC profiles – groove 9 PVC profiles – groove 13 | 1 | K-15486-00-L-1 | | K-15486-00-R-1 | |
| | | | | | | 1 | K-15487-00-L-1 | | K-15487-00-R-1 | |
| | | | | | SRW Forend ML | | | | | |
| | | | | | 1851-2000 | 1480 | 2 | | | |
| 1 | 1 | 1 | 2 | | Cover for middle stay | 1 | 9-35573-00-0-* | | | |
| 1 | | | | | Stop pin D for control part | 1 | 9-39897-00-0-1 | | | |
| 1 | 1 | 1 | 2 | | Bag of profiles G.U-966/200 [1] SRW | | | | | |
| | | | | | 720- 850 | | 1 | K-15267-20-0-* | | |
| | | | | | 851-1100 | | 1 | K-15267-25-0-* | | |
| | | | | | 1101-1350 | | 1 | K-15267-30-0-* | | |
| | | | | | 1351-1600 | | 1 | K-15267-35-0-* | | |
| | | | | | 1601-1850 | | 1 | K-15267-40-0-* | | |
| | | | | | 1851-2000 | | 1 | K-15267-45-0-* | | |
| 2 | 2 | 2 | 4 | | Positioning plate | 20 | (acc. to profile) | | | |
| 2 | 2 | 2 | 4 | | Locking plate Se | 100 | (acc. to profile) | | | |
| | | | | | Locking plate SRW SRH | | | | | |
| | | | | | 720-1100 | 820-1370 | | | | |
| | | | | | | 1371-1870 | | | | |
| | | | | | | 1871-2370 | | | | |
| | | | | | 1101-1600 | 820-1370 | | | | |
| | | | | | | 1371-1870 | | | | |
| | | | | | | 1871-2370 | | | | |
| | | | | | 1601-2000 | 820-1370 | | | | |
| | | | | | | 1371-1870 | | | | |
| | | | | | | 1871-2370 | | | | |
| 11 | 11 | 11 | 22 | | | | | | | |

DIRIGENT
lh 6-24542-00-L-
rh 6-24542-00-R-
Countersunk screw 9-13133-20
Threaded sleeve 9-30705-00-0-1

Handle coupler
Groove 9 mm 9-30111-00-0-1
Groove 13 mm 9-31015-00-0-1
Fillister head screw 9-13290-06

Centre gear, vertical

Centre gear, vertical
Locking plate

Note:
[1] * = Colour: 1 = EV 1, 4 = UC 3, 5 = UC 5, 7 = white
[2] • = 1 box for handle pos. lh, 1 box for handle pos. rh

End cap 9-38521-00-L-*
Runner, front
lh 6-32247-00-L-0
rh 6-32247-00-R-0

End cap 9-38521-00-R-*
Runner, rear
lh 6-29555-00-L-0
rh 6-29555-00-R-0

Running rail P 1213

Control part 6-29562-00-0-*

Spring-loaded buffer 6-29564-00-0-*

Corner transmission, front 6-29228-00-0-1

Corner transmission, rear 6-29229-00-0-1

Positioning plate

Locking plate

Stopping plate 9-29973-00-0-1

Rod 9-23055--0-1**
Support 9-38522-00-0-0

Guide 6-29750-00-0-1
Cover rail P 1602

Parallel slide and tilt fittings G.U-966/200 mZ Se



Basic security – Timber and PVC, groove position 9 and 13 mm with lockable gear

End cap 9-30142-00-0-*, Running rail P 1225

Cover rail P 1226

Stay arm cover 9-35573-00-0-*

Stay arm glider 6-22755-00-0-0
Stay, front
Groove 9
lh 6-29613-00-L-1
rh 6-29613-00-R-1
Groove 13
lh 6-29632-00-L-1
rh 6-29632-00-R-1

Centre gear, horizontal

Stay arm glider 6-22755-00-0-0
Stay, rear
Groove 9
lh 6-29624-00-L-1
rh 6-29624-00-R-1
Groove 13
lh 6-29634-00-L-1
rh 6-29634-00-R-1

Handle inside – timber
Cover rosette outside
Countersunk screws

Handle inside – PVC
Positioning pins

Gear, lockable

Corner transmission, front 6-29228-00-0-1

Corner transmission, rear 6-29229-00-0-1

Positioning plate

Locking plate

Stopping plate 9-29973-00-0-1

End cap lh 9-38521-00-L-*
Runner, front
lh 6-32247-00-L-0
rh 6-32247-00-R-0

End cap rh 9-38521-00-R-*
Runner, rear
lh 6-29555-00-L-0
rh 6-29555-00-R-0

Running rail P 1213

Control part 6-29562-00-0-*

Spring-loaded buffer 6-29564-00-0-*

Rod 9-23055-*-0-1**
Support 9-38522-00-0-0

Guide 6-29750-00-0-1
Cover rail P 1602

Fitting requirements according to size of sashes for schemes A to K

| Qty. | Description | PU | Article No. | Handle pos. lh | Handle pos. rh | | | |
|------|-------------|----|--|----------------|-------------------|--------------------|----------------|----------------|
| 1 | 1 | 2 | Box of runners G.U-966/200 | 1 | K-15266-00-L-0 | K-15266-00-R-0 | | |
| 1 | 1 | 2 | Box of stays G.U-mZ | | | | | |
| | | | Timber, PVC profiles – groove 9 | 1 | K-15205-00-L-1 | K-15205-00-R-1 | | |
| | | | PVC profiles – groove 13 | 1 | K-15204-00-L-1 | K-15204-00-R-1 | | |
| 1 | 1 | 2 | Handle inside G.U-mZ [1] | | | | | |
| | | | DIRIGENT with cylinder bore | 1 | K-12918-00-0-* | PVC 6-24623-00-0-* | | |
| 1 | 1 | 2 | Lockable gear | | | | | |
| | | | SRH | Forend ML | G | Backset 30 | Backset 40 | |
| | | | 820- 960 | 431 | 440 | 10 | 6-23829-01-0-1 | 6-23827-01-0-1 |
| | | | 961-1120 | 590 | 500 | 10 | 6-23829-02-0-1 | 6-23827-02-0-1 |
| | | | 1121-1370 | 840 | 500 | 10 | 6-23829-03-0-1 | 6-23827-03-0-1 |
| | | | 1371-1620 | 1090 | 600 | 10 | 6-23829-04-0-1 | 6-23827-04-0-1 |
| | | | 1621-1870 | 1340 | 600 | 10 | 6-23829-05-0-1 | 6-23827-05-0-1 |
| | | | 1621-1870 | 1340 | 980 | 10 | 6-23829-55-0-1 | 6-23827-55-0-1 |
| | | | 1871-2120 | 1590 | 980 | 10 | 6-23829-06-0-1 | 6-23827-06-0-1 |
| | | | 2121-2370 | 1840 | 980 | 10 | 6-23829-07-0-1 | 6-23827-07-0-1 |
| 1 | 1 | 2 | Centre gear, vertical | | | | | |
| | | | SRH | Forend ML | G | | | |
| | | | 820- 960 | 431 | 440 | 10 | 6-23886-01-0-1 | |
| | | | 961-1120 | 590 | 500 | 10 | 6-23886-02-0-1 | |
| | | | 1121-1370 | 840 | 500 | 10 | 6-23886-03-0-1 | |
| | | | 1371-1620 | 1090 | 600 | 10 | 6-23886-04-0-1 | |
| | | | 1621-1870 | 1340 | 600 | 10 | 6-23886-05-0-1 | |
| | | | 1621-1870 | 1340 | 980 | 10 | 6-23886-55-0-1 | |
| | | | 1871-2120 | 1590 | 980 | 10 | 6-23886-06-0-1 | |
| | | | 2121-2370 | 1840 | 980 | 10 | 6-23886-07-0-1 | |
| 2 | 2 | 4 | Centre gear, horizontal | | | | | |
| | | | SRW | Forend ML | | | | |
| | | | 720-1100 | 480 | | 10 | 6-23830-01-0-1 | |
| | | | 1101-1350 | 730 | 1 | 10 | 6-23830-02-0-1 | |
| | | | 1351-1600 | 980 | 1 | 10 | 6-23830-03-0-1 | |
| | | | 1601-1850 | 1230 | 2 | 10 | 6-23830-14-0-1 | |
| 1 | 1 | 2 | Box of middle stay G.U-mZ | | | | | |
| | | | Timber, PVC profiles – groove 9 | 1 | K-15486-00-L-1 | K-15486-00-R-1 | | |
| | | | PVC profiles – groove 13 | 1 | K-15487-00-L-1 | K-15487-00-R-1 | | |
| | | | SRW | Forend ML | | | | |
| | | | 1851-2000 | 1480 | 2 | | | |
| 1 | 1 | 2 | Cover for middle stay | 1 | 9-35573-00-0-* | | | |
| 1 | 1 | 2 | Stop pin D for control part | 1 | 9-39897-00-0-1 | | | |
| 1 | 1 | 2 | Bag of profiles G.U-966/200 [1] | | | | | |
| | | | SRW | | | | | |
| | | | 720- 850 | | | 1 | K-15267-20-0-* | |
| | | | 851-1100 | | | 1 | K-15267-25-0-* | |
| | | | 1101-1350 | | | 1 | K-15267-30-0-* | |
| | | | 1351-1600 | | | 1 | K-15267-35-0-* | |
| | | | 1601-1850 | | | 1 | K-15267-40-0-* | |
| | | | 1851-2000 | | | 1 | K-15267-45-0-* | |
| 2 | 2 | 4 | Positioning plate | 20 | (acc. to profile) | | | |
| 2 | 2 | 4 | Locking plate Se | 100 | (acc. to profile) | | | |
| | | | Locking plate | 100 | (acc. to profile) | | | |
| | | | SRW | SRH | | | | |
| 3 | 3 | 3 | 6 | 720-1100 | 820-1370 | | | |
| 5 | 5 | 5 | 10 | | 1371-1870 | | | |
| 7 | 7 | 7 | 14 | | 1871-2370 | | | |
| 5 | 5 | 5 | 10 | 1101-1600 | 820-1370 | | | |
| 7 | 7 | 7 | 14 | | 1371-1870 | | | |
| 9 | 9 | 9 | 18 | | 1871-2370 | | | |
| 7 | 7 | 7 | 14 | 1601-2000 | 820-1370 | | | |
| 9 | 9 | 9 | 18 | | 1371-1870 | | | |
| 11 | 11 | 11 | 22 | | 1871-2370 | | | |

Note:
[1] * = Colour: 1 = EV 1, 4 = UC 3, 5 = UC 5, 7 = white
[2] • = 1 box for handle pos. lh, 1 box for handle pos. rh

Parallel slide and tilt fittings G.U-966/200 mZ Se



Enhanced basic security – Timber and PVC, groove position 9 and 13 mm with lockable gear

End cap 9-30142-00-0-*, Running rail P 1225

Cover rail P 1226

Stay arm cover 9-35573-00-0-*

Stay arm glider 6-22755-00-0-0
Stay, front
Groove 9
lh 6-29641-00-L-1
rh 6-29641-00-R-1
Groove 13
lh 6-29653-00-L-1
rh 6-29653-00-R-1

Centre gear, horizontal

Stay arm glider 6-22755-00-0-0
Stay, rear
Groove 9
lh 6-29642-00-L-1
rh 6-29642-00-R-1
Groove 13
lh 6-29654-00-L-1
rh 6-29654-00-R-1

Handle inside – timber
Cover rosette outside
Countersunk screws

Handle inside – PVC
Positioning pins

Gear, lockable

End cap lh 9-38521-00-L-*
Runner, front
lh 6-32247-00-L-0
rh 6-32247-00-R-0

End cap rh 9-38521-00-R-*
Runner, rear
lh 6-29555-00-L-0
rh 6-29555-00-R-0

Running rail P 1213

Control part 6-29562-00-0-*

Spring-loaded buffer 6-29564-00-0-*

Corner transmission, front 6-29228-00-0-1

Corner transmission, rear 6-29229-00-0-1

Positioning plate

Locking plate

Stopping plate 9-29973-00-0-1

Fitting requirements according to size of sashes for schemes A to K

| Qty. | Description | PU | Article No. | Handle pos. lh | Handle pos. rh | | | | | |
|------|-------------|----|-------------|--|----------------|----------------|----------------|-------------------|----------------|----------------|
| 1 | 1 | 1 | 2* | Box of runners G.U-966/200 | 1 | K-15266-00-L-0 | K-15266-00-R-0 | | | |
| 1 | 1 | 1 | 2* | Box of stays G.U-mZ | | | | | | |
| | | | | Timber, PVC profiles – groove 9 | 1 | K-15089-00-L-1 | K-15089-00-R-1 | | | |
| | | | | PVC profiles – groove 13 | 1 | K-15245-00-L-1 | K-15245-00-R-1 | | | |
| 1 | 1 | 1 | 2 | Handle inside G.U-mZ [1] | | Timber | PVC | | | |
| | | | | DIRIGENT with cylinder bore | 1 | K-12918-00-0-* | 6-24623-00-0-* | | | |
| 1 | 1 | 1 | 2 | Lockable gear | | Backset 30 | Backset 40 | | | |
| | | | | SRH | Forend ML | G | | | | |
| | | | | 820- 960 | 431 | 440 | 10 | 6-23829-01-0-1 | 6-23827-01-0-1 | |
| | | | | 961-1120 | 590 | 500 | 10 | 6-23829-02-0-1 | 6-23827-02-0-1 | |
| | | | | 1121-1370 | 840 | 500 | 10 | 6-23829-03-0-1 | 6-23827-03-0-1 | |
| | | | | 1371-1620 | 1090 | 1 | 600 | 10 | 6-23829-04-0-1 | 6-23827-04-0-1 |
| | | | | 1621-1870 | 1340 | 1 | 600 | 10 | 6-23829-05-0-1 | 6-23827-05-0-1 |
| | | | | 1621-1870 | 1340 | 1 | 980 | 10 | 6-23829-55-0-1 | 6-23827-55-0-1 |
| | | | | 1871-2120 | 1590 | 2 | 980 | 10 | 6-23829-06-0-1 | 6-23827-06-0-1 |
| | | | | 2121-2370 | 1840 | 2 | 980 | 10 | 6-23829-07-0-1 | 6-23827-07-0-1 |
| 1 | 1 | 1 | 2 | Centre gear, vertical | | | | | | |
| | | | | SRH | Forend ML | G | | | | |
| | | | | 820- 960 | 431 | 440 | 10 | 6-23886-01-0-1 | | |
| | | | | 961-1120 | 590 | 500 | 10 | 6-23886-02-0-1 | | |
| | | | | 1121-1370 | 840 | 500 | 10 | 6-23886-03-0-1 | | |
| | | | | 1371-1620 | 1090 | 1 | 600 | 10 | 6-23886-04-0-1 | |
| | | | | 1621-1870 | 1340 | 1 | 600 | 10 | 6-23886-05-0-1 | |
| | | | | 1621-1870 | 1340 | 1 | 980 | 10 | 6-23886-55-0-1 | |
| | | | | 1871-2120 | 1590 | 2 | 980 | 10 | 6-23886-06-0-1 | |
| | | | | 2121-2370 | 1840 | 2 | 980 | 10 | 6-23886-07-0-1 | |
| 2 | 2 | 2 | 4 | Centre gear, horizontal | | | | | | |
| | | | | SRW | Forend ML | | | | | |
| | | | | 720-1100 | 480 | | 10 | 6-23830-01-0-1 | | |
| | | | | 1101-1350 | 730 | 1 | 10 | 6-23830-02-0-1 | | |
| | | | | 1351-1600 | 980 | 1 | 10 | 6-23830-03-0-1 | | |
| | | | | 1601-1850 | 1230 | 2 | 10 | 6-23830-14-0-1 | | |
| 1 | 1 | 1 | 2* | Box of middle stay G.U-mZ | | | | | | |
| | | | | Timber, PVC profiles – groove 9 | | | 1 | K-15486-00-L-1 | K-15486-00-R-1 | |
| | | | | PVC profiles – groove 13 | | | 1 | K-15487-00-L-1 | K-15487-00-R-1 | |
| | | | | SRW | Forend ML | | | | | |
| | | | | 1851-2000 | 1480 | 2 | | | | |
| 1 | 1 | 1 | 2 | Cover for middle stay | | | 1 | 9-35573-00-0-* | | |
| 1 | 1 | 1 | 2 | Stop pin D for control part | | | 1 | 9-39897-00-0-1 | | |
| 1 | 1 | 1 | 2 | Bag of profiles G.U-966/200 [1] | | | | | | |
| | | | | SRW | | | | | | |
| | | | | 720- 850 | | | 1 | K-15267-20-0-* | | |
| | | | | 851-1100 | | | 1 | K-15267-25-0-* | | |
| | | | | 1101-1350 | | | 1 | K-15267-30-0-* | | |
| | | | | 1351-1600 | | | 1 | K-15267-35-0-* | | |
| | | | | 1601-1850 | | | 1 | K-15267-40-0-* | | |
| | | | | 1851-2000 | | | 1 | K-15267-45-0-* | | |
| 2 | 2 | 2 | 4 | Positioning plate | | | 20 | (acc. to profile) | | |
| 4 | 4 | 4 | 8 | Locking plate Se | | | 100 | (acc. to profile) | | |
| | | | | Locking plate | | | 100 | (acc. to profile) | | |
| | | | | SRW | SRH | | | | | |
| 1 | 1 | 1 | 2 | 720-1100 | 820-1370 | | | | | |
| 3 | 3 | 3 | 6 | | 1371-1870 | | | | | |
| 5 | 5 | 5 | 10 | | 1871-2370 | | | | | |
| 3 | 3 | 3 | 6 | 1101-1600 | 820-1370 | | | | | |
| 5 | 5 | 5 | 10 | | 1371-1870 | | | | | |
| 7 | 7 | 7 | 14 | | 1871-2370 | | | | | |
| 5 | 5 | 5 | 10 | 1601-2000 | 820-1370 | | | | | |
| 7 | 7 | 7 | 14 | | 1371-1870 | | | | | |
| 9 | 9 | 9 | 18 | | 1871-2370 | | | | | |

Note:
[1] * = Colour: 1 = EV 1, 4 = UC 3, 5 = UC 5, 7 = white
[2] • = 1 box for handle pos. lh, 1 box for handle pos. rh

Rod 9-23055-*-0-1**
Support 9-38522-00-0-0

Guide 6-29750-00-0-1
Cover rail P 1602

WK 2 – Timber and PVC, groove position 9 and 13 mm with geared handle

End cap 9-30142-00-0-*, Running rail P 1225

Cover rail P 1226

Stay arm cover 9-35573-00-0-*

Stay arm glider 6-22755-00-0-0
Stay, front
Groove 9
lh 6-29641-00-L-1
rh 6-29641-00-R-1
Groove 13
lh 6-29653-00-L-1
rh 6-29653-00-R-1
Locking plate Se

**Centre gear, horizontal
Locking plate Se**

Stay arm glider 6-22755-00-0-0
Stay, rear
Groove 9
lh 6-29642-00-L-1
rh 6-29642-00-R-1
Groove 13
lh 6-29654-00-L-1
rh 6-29654-00-R-1
Locking plate Se

Fitting requirements according to size of sashes for schemes A to K

| Qty. | A | D | G | K | Description | PU | Article No. | Handle pos. lh | Handle pos. rh |
|------|----|----|----|---|--|-----|----------------------------------|----------------|----------------------------------|
| 1 | 1 | 1 | 2 | | Box of runners G.U-966/200 | 1 | K-15266-00-L-0 | | K-15266-00-R-0 |
| 1 | 1 | 1 | 2 | | Box of stays G.U-mZ Timber, PVC profiles – groove 9 PVC profiles – groove 13 | 1 | K-15089-00-L-1 K-15245-00-L-1 | | K-15089-00-R-1 K-15245-00-R-1 |
| 1 | 1 | 1 | 2 | | Box of geared handle G.U-mZ [1] DIRIGENT with anti-lockout device | 1 | K-13971-02-L-* | | K-13971-02-R-* |
| 2 | 2 | 2 | 4 | | Centre gear, vertical SRH Forend ML G | | | | |
| | | | | | 820- 960 431 440 | 10 | 6-23886-01-0-1 | | |
| | | | | | 961-1120 590 500 | 10 | 6-23886-02-0-1 | | |
| | | | | | 1121-1370 840 500 | 10 | 6-23886-03-0-1 | | |
| | | | | | 1371-1620 1090 1 600 | 10 | 6-29157-04-0-1 | | |
| | | | | | 1621-1870 1340 1 600 | 10 | 6-29157-05-0-1 | | |
| | | | | | 1621-1870 1340 1 980 | 10 | 6-29157-55-0-1 | | |
| | | | | | 1871-2120 1590 2 980 | 10 | 6-29157-06-0-1 | | |
| | | | | | 2121-2370 1840 2 980 | 10 | 6-29157-07-0-1 | | |
| 2 | 2 | 2 | 4 | | Centre gear, horizontal SRW Forend ML | | | | |
| | | | | | 720- 850 480 | 10 | 6-23830-01-0-1 | | |
| | | | | | 851-1100 480 1 | 10 | 6-29160-00-0-1 | | |
| | | | | | 1101-1350 730 1 | 10 | 6-29158-02-0-1 | | |
| | | | | | 1351-1600 980 1 | 10 | 6-29158-03-0-1 | | |
| | | | | | 1601-1850 1230 2 | 10 | 6-29158-14-0-1 | | |
| 1 | 1 | 1 | 2 | | Box of middle stay G.U-mZ Timber, PVC profiles – groove 9 PVC profiles – groove 13 SRW Forend ML | 1 | K-15488-00-L-1 K-15489-00-L-1 | | K-15488-00-R-1 K-15489-00-R-1 |
| | | | | | 1851-2000 1480 2 | | | | |
| 1 | 1 | 1 | 2 | | Cover for middle stay | 1 | 9-35573-00-0-* | | |
| | | | | | Stop pin D for control part | 1 | 9-39897-00-0-1 | | |
| 1 | 1 | 1 | 2 | | Bag of profiles G.U-966/200 [1] SRW | | | | |
| | | | | | 720- 850 | 1 | K-15267-20-0-* | | |
| | | | | | 851-1100 | 1 | K-15267-25-0-* | | |
| | | | | | 1101-1350 | 1 | K-15267-30-0-* | | |
| | | | | | 1351-1600 | 1 | K-15267-35-0-* | | |
| | | | | | 1601-1850 | 1 | K-15267-40-0-* | | |
| | | | | | 1851-2000 | 1 | K-15267-45-0-* | | |
| 2 | 2 | 2 | 4 | | Positioning plate | 20 | (acc. to profile) | | |
| 1 | 1 | 1 | 2 | | Locking plate | 100 | (acc. to profile) | | |
| | | | | | Locking plate Se SRW SRH | 100 | (acc. to profile) | | |
| 4 | 4 | 4 | 8 | | 720- 850 | | 820-1370 | | |
| 6 | 6 | 6 | 12 | | | | 1371-1870 | | |
| 8 | 8 | 8 | 16 | | | | 1871-2370 | | |
| 6 | 6 | 6 | 12 | | 851-1600 | | 820-1370 | | |
| 8 | 8 | 8 | 16 | | | | 1371-1870 | | |
| 10 | 10 | 10 | 20 | | | | 1871-2370 | | |
| 8 | 8 | 8 | 16 | | 1601-2000 | | 820-1370 | | |
| 10 | 10 | 10 | 20 | | | | 1371-1870 | | |
| 12 | 12 | 12 | 24 | | | | 1871-2370 | | |

DIRIGENT
lh 6-26058-**-L-
rh 6-26058-**-R-
Countersunk screw
9-13133-20
Threaded sleeve
9-30705-00-0-1

Handle coupler
Groove 9 mm
9-30111-00-0-1
Groove 13 mm
9-31015-00-0-1

**Centre gear, vertical
Locking plate Se**

Fillister head screw 9-13290-06

Note:
[1] * = Colour: 1 = EV 1, 4 = UC 3, 5 = UC 5, 7 = white
[2] • = 1 box for handle pos. lh, 1 box for handle pos. rh

End cap 9-38521-00-L-*
Runner, front
lh 6-32247-00-L-0
rh 6-32247-00-R-0

Running rail P 1213

Control part 6-29562-00-0-*

Spring-loaded buffer 6-29564-00-0-*

End cap 9-38521-00-R-*
Runner, rear
lh 6-29555-00-L-0
rh 6-29555-00-R-0

**Corner transmission, front 6-29228-00-0-1
Locking plate Se**

Positioning plate

**Corner transmission, rear 6-29229-00-0-1
Stopping plate 9-29973-00-0-1**

Rod 9-23055--0-1
Support 9-38522-00-0-0**

**Guide 6-29750-00-0-1
Cover rail P 1602**

Parallel slide and tilt fittings G.U-966/200 mZ Se



WK 2 – Timber and PVC, groove position 9 and 13 mm with lockable gear

End cap 9-30142-00-0-*, Running rail P 1225

Cover rail P 1226

Stay arm cover 9-35573-00-0-*

Stay arm glider 6-22755-00-0-0
Stay, front
Groove 9
lh 6-29641-00-L-1
rh 6-29641-00-R-1
Groove 13
lh 6-29653-00-L-1
rh 6-29653-00-R-1
Locking plate Se

Centre gear, horizontal Locking plate Se

Stay arm glider 6-22755-00-0-0
Stay, rear
Groove 9
lh 6-29642-00-L-1
rh 6-29642-00-R-1
Groove 13
lh 6-29654-00-L-1
rh 6-29654-00-R-1
Locking plate Se

Handle inside – timber
Cover rosette outside
Countersunk screws

Handle inside – PVC
Positioning pins

Gear, lockable

End cap 9-38521-00-L-*
Runner, front
lh 6-32247-00-L-0
rh 6-32247-00-R-0

End cap 9-38521-00-R-*
Runner, rear
lh 6-29555-00-L-0
rh 6-29555-00-R-0

Corner transmission, front 6-29228-00-0-1
Locking plate Se

Positioning plate

Corner transmission, rear 6-29229-00-0-1
Stopping plate 9-29973-00-0-1

Running rail P 1213

Control part 6-29562-00-0-*

Spring-loaded buffer 6-29564-00-0-*

Rod 9-23055-*-0-1**
Support 9-38522-00-0-0

Guide 6-29750-00-0-1
Cover rail P 1602

Fitting requirements according to size of sashes for schemes A to K

| Qty. | Description | PU | Article No. | Handle pos. lh | Handle pos. rh |
|------|--|-----|-------------------|----------------|----------------|
| 1 | 1 1 2 • Box of runners G.U-966/200 | 1 | K-15266-00-L-0 | | K-15266-00-R-0 |
| 1 | 1 1 2 • Box of stays G.U-mZ | | | | |
| | Timber, PVC profiles – groove 9 | 1 | K-15089-00-L-1 | | K-15089-00-R-1 |
| | PVC profiles – groove 13 | 1 | K-15245-00-L-1 | | K-15245-00-R-1 |
| 1 | 1 1 2 Handle inside G.U-mZ [1] | | Timber | | PVC |
| | DIRIGENT with cylinder bore | 1 | K-12918-00-0-* | | 6-24623-00-0-* |
| 1 | 1 1 2 Lockable gear | | Backset 30 | | Backset 40 |
| | SRH Forend ML G | | | | |
| | 820- 960 431 440 | 10 | 6-23829-01-0-1 | | 6-23827-01-0-1 |
| | 961-1120 590 500 | 10 | 6-23829-02-0-1 | | 6-23827-02-0-1 |
| | 1121-1370 840 500 | 10 | 6-23829-03-0-1 | | 6-23827-03-0-1 |
| | 1371-1620 1090 1 600 | 10 | 6-29879-04-0-1 | | 6-29878-04-0-1 |
| | 1621-1870 1340 1 600 | 10 | 6-29879-05-0-1 | | 6-29878-05-0-1 |
| | 1621-1870 1340 1 980 | 10 | 6-29879-55-0-1 | | 6-29878-55-0-1 |
| | 1871-2120 1590 2 980 | 10 | 6-29879-06-0-1 | | 6-29878-06-0-1 |
| | 2121-2370 1840 2 980 | 10 | 6-29879-07-0-1 | | 6-29878-07-0-1 |
| 1 | 1 1 2 Centre gear, vertical | | | | |
| | SRH Forend ML G | | | | |
| | 820- 960 431 440 | 10 | 6-23886-01-0-1 | | |
| | 961-1120 590 500 | 10 | 6-23886-02-0-1 | | |
| | 1121-1370 840 500 | 10 | 6-23886-03-0-1 | | |
| | 1371-1620 1090 1 600 | 10 | 6-29157-04-0-1 | | |
| | 1621-1870 1340 1 600 | 10 | 6-29157-05-0-1 | | |
| | 1621-1870 1340 1 980 | 10 | 6-29157-55-0-1 | | |
| | 1871-2120 1590 2 980 | 10 | 6-29157-06-0-1 | | |
| | 2121-2370 1840 2 980 | 10 | 6-29157-07-0-1 | | |
| 2 | 2 2 4 Centre gear, horizontal | | | | |
| | SRW Forend ML | | | | |
| | 720- 850 480 | 10 | 6-23830-01-0-1 | | |
| | 851-1100 480 1 | 10 | 6-29160-00-0-1 | | |
| | 1101-1350 730 1 | 10 | 6-29158-02-0-1 | | |
| | 1351-1600 980 1 | 10 | 6-29158-03-0-1 | | |
| | 1601-1850 1230 2 | 10 | 6-29158-14-0-1 | | |
| 1 | 1 1 2 • Box of middle stay G.U-mZ | | | | |
| | Timber, PVC profiles – groove 9 | 1 | K-15488-00-L-1 | | K-15488-00-R-1 |
| | PVC profiles – groove 13 | 1 | K-15489-00-L-1 | | K-15489-00-R-1 |
| | SRW Forend ML | | | | |
| | 1851-2000 1480 2 | | | | |
| 1 | 1 1 2 Cover for middle stay | 1 | 9-35573-00-0-* | | |
| 1 | 1 Stop pin D for control part | 1 | 9-39897-00-0-1 | | |
| 1 | 1 1 2 Bag of profiles G.U-966/200 [1] | | | | |
| | SRW | | | | |
| | 720- 850 | 1 | K-15267-20-0-* | | |
| | 851-1100 | 1 | K-15267-25-0-* | | |
| | 1101-1350 | 1 | K-15267-30-0-* | | |
| | 1351-1600 | 1 | K-15267-35-0-* | | |
| | 1601-1850 | 1 | K-15267-40-0-* | | |
| | 1851-2000 | 1 | K-15267-45-0-* | | |
| 2 | 2 2 4 Positioning plate | 20 | (acc. to profile) | | |
| 1 | 1 1 2 Locking plate | 100 | (acc. to profile) | | |
| | Locking plate Se | 100 | (acc. to profile) | | |
| | SRW SRH | | | | |
| 4 | 4 4 8 720- 850 820-1370 | | | | |
| 6 | 6 6 12 1371-1870 | | | | |
| 8 | 8 8 16 1871-2370 | | | | |
| 6 | 6 6 12 851-1600 820-1370 | | | | |
| 8 | 8 8 16 1371-1870 | | | | |
| 10 | 10 10 20 1871-2370 | | | | |
| 8 | 8 8 16 1601-2000 820-1370 | | | | |
| 10 | 10 10 20 1371-1870 | | | | |
| 12 | 12 12 24 1871-2370 | | | | |

Note:
[1] * = Colour: 1 = EV 1, 4 = UC 3, 5 = UC 5, 7 = white
[2] • = 1 box for handle pos. lh, 1 box for handle pos. rh

Basic security – Timber and PVC, groove position 9 and 13 mm with rebate shoot bolt

Cover rail P 1226
Stay arm cover 9-35573-00-0*

End cap 9-30142-00-0*, Running rail P 1225

Stay arm glider 6-22755-00-0-0
 Stay, rear
 Groove 9
 lh 6-29624-00-L-1
 rh 6-29624-00-R-1
 Groove 13
 lh 6-29634-00-L-1
 rh 6-29634-00-R-1

Centre gear, horizontal

Stay arm glider 6-22755-00-0-0
 Stay, front
 Groove 9
 lh 6-29638-00-L-1
 rh 6-29638-00-R-1
 Groove 13
 lh 6-29639-00-L-1
 rh 6-29639-00-R-1

Fitting requirements according to size of sashes for scheme C

| Qty. | Description | PU | Article No. | Handle pos. lh | Handle pos. rh |
|-------------|--|-----|-------------------|----------------|----------------|
| 1 | Box of runners G.U-966/200 | 1 | K-15266-00-L-0 | | K-15266-00-R-0 |
| 1 | Box of stays G.U-mZ C/ZH | | | | |
| | Timber, PVC profiles – groove 9 | 1 | K-15422-00-L-1 | | K-15422-00-R-1 |
| | PVC profiles – groove 13 | 1 | K-15424-00-L-1 | | K-15424-00-R-1 |
| alter-nat.: | Box of stays G.U-mZ C/ZK | | | | |
| | PVC profiles – groove 9 | 1 | K-15421-00-L-1 | | K-15421-00-R-1 |
| | PVC profiles – groove 13 | 1 | K-15423-00-L-1 | | K-15423-00-R-1 |
| 1 | Rebate shoot bolt C/ZH | | | | |
| | SRH Forend ML G | | | | |
| | 1371-1620 1090 1 495 | 10 | 6-25022-04-L-1 | | 6-25022-04-R-1 |
| | 1621-2370 1340 1 703 | 10 | 6-25022-55-L-1 | | 6-25022-55-R-1 |
| alter-nat.: | Rebate shoot bolt C/ZK | | | | |
| | SRH Forend ML G | | | | |
| | 1371-1620 1090 1 495 | 10 | 6-25021-04-0-1 | | |
| | 1621-2370 1340 1 703 | 10 | 6-25021-55-0-1 | | |
| 1 | Extension for rebate shoot bolt | | | | |
| | SRH Forend | | | | |
| | 1871-2370 500 | 10 | 6-25059-00-0-1 | | |
| 1 | Centre gear, vertical | | | | |
| | SRH Forend ML G | | | | |
| | 1371-1620 1090 1 600 | 10 | 6-23886-04-0-1 | | |
| | 1621-1870 1340 1 980 | 10 | 6-23886-55-0-1 | | |
| | 1871-2120 1590 2 980 | 10 | 6-23886-06-0-1 | | |
| | 2121-2370 1840 2 980 | 10 | 6-23886-07-0-1 | | |
| 2 | Centre gear, horizontal | | | | |
| | SRW Forend ML | | | | |
| | 720-1100 480 | 10 | 6-23830-01-0-1 | | |
| | 1101-1350 730 1 | 10 | 6-23830-02-0-1 | | |
| | 1351-1600 980 1 | 10 | 6-23830-03-0-1 | | |
| | 1601-1850 1230 2 | 10 | 6-23830-14-0-1 | | |
| 1 | Box of middle stay G.U-mZ | | | | |
| | Timber, PVC profiles – groove 9 | 1 | K-15486-00-L-1 | | K-15486-00-R-1 |
| | PVC profiles – groove 13 | 1 | K-15487-00-L-1 | | K-15487-00-R-1 |
| | SRW Forend ML | | | | |
| | 1851-2000 1480 2 | | | | |
| 1 | Cover for middle stay | 1 | 9-35573-00-0* | | |
| 1 | Bag of profiles G.U-966/200 [1] | | | | |
| | SRW | | | | |
| | 720- 850 | 1 | K-15267-20-0* | | |
| | 851-1100 | 1 | K-15267-25-0* | | |
| | 1101-1350 | 1 | K-15267-30-0* | | |
| | 1351-1600 | 1 | K-15267-35-0* | | |
| | 1601-1850 | 1 | K-15267-40-0* | | |
| | 1851-2000 | 1 | K-15267-45-0* | | |
| 2 | Positioning plate | 20 | (acc. to profile) | | |
| 2 | Locking plate Se | 100 | (acc. to profile) | | |
| | Locking plate | 100 | (acc. to profile) | | |
| | ZH ZK SRW SRH | | | | |
| | 4 7 720-1100 1371-1870 | | | | |
| | 5 9 1871-2370 | | | | |
| | 6 9 1101-1600 1371-1870 | | | | |
| | 7 11 1871-2370 | | | | |
| | 8 11 1601-2000 1371-1870 | | | | |
| | 9 13 1871-2370 | | | | |

Note:
 [1] * = Colour: 1 = EV 1,
 4 = UC 3, 5 = UC 5,
 7 = white

Locking plate 12 mm 9-31960-00-0-1
16 mm 9-32063-00-0-1
Locking plate Se 12 mm 9-39189-00-0-1
16 mm 9-39211-00-0-1
Countersunk screw 9-13281-10

Extension for rebate shoot bolt

Rebate lever ZK
 lh 6-25020-00-L-1
 rh 6-25020-00-R-1
Spax-Countersunk screw 9-13246-70

Rebate shoot bolt ZK **Rebate shoot bolt ZH**

Cover rail P 1602
Guide 6-29750-00-0-1

Support 9-38522-00-0-0
Rod 9-23055--0-1**

End cap rh 9-38521-00-R-*
Runner, rear
 lh 6-29555-00-L-0
 rh 6-29555-00-R-0

End cap lh 9-38521-00-L-*
Runner, front
 lh 6-32247-00-L-0
 rh 6-32247-00-R-0

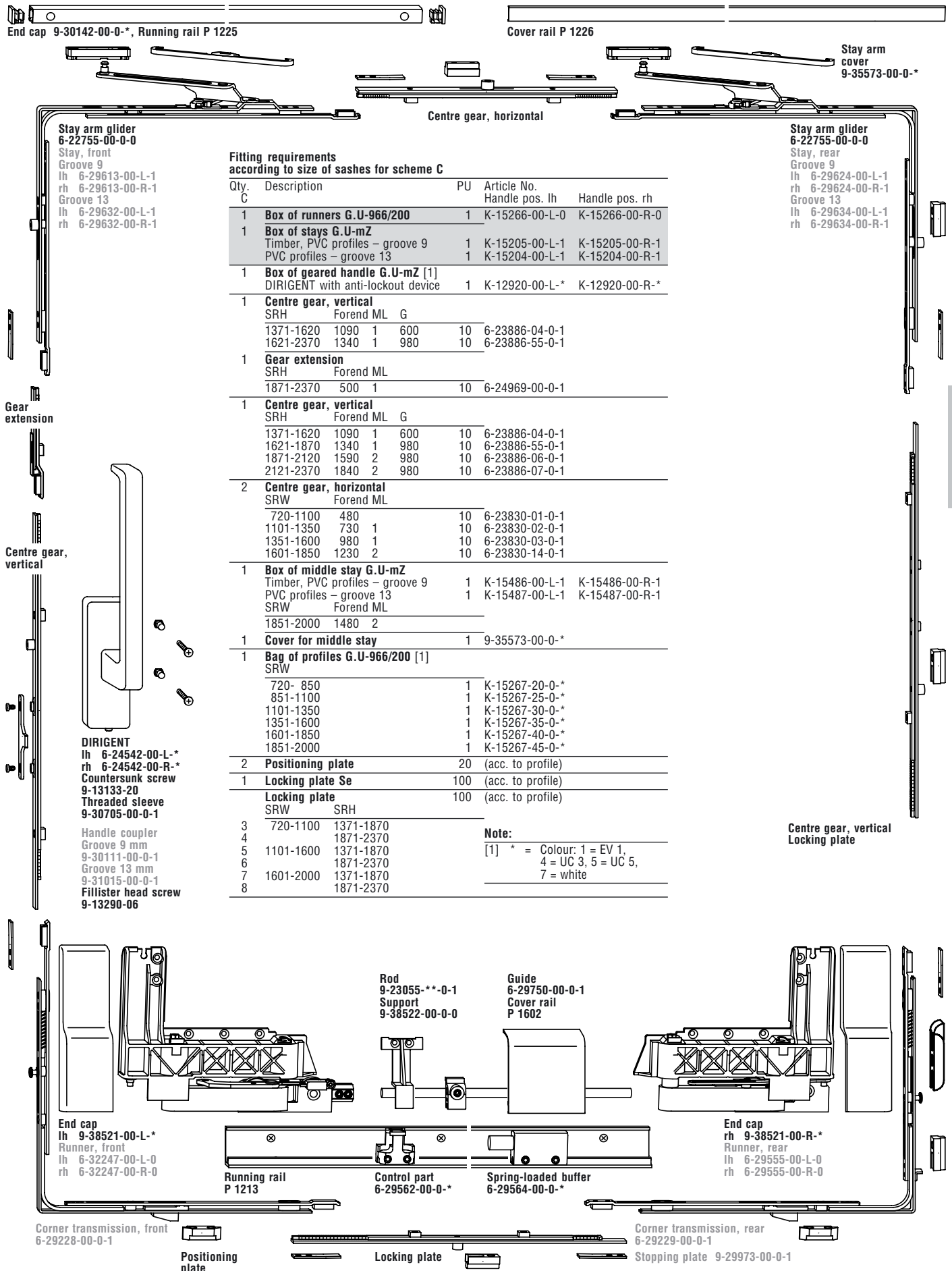
Running rail P 1213 **Spring-loaded buffer 6-29564-00-0-*** **Control part 6-29562-00-0-***

Corner transmission, rear 6-29229-00-0-1
Stopping plate 9-29973-00-0-1

Locking plate **Positioning plate**

Corner transmission, front 6-29877-00-0-1

Basic security – Timber and PVC, groove position 9 and 13 mm with geared handle



Basic security – Timber and PVC, groove position 9 and 13 mm with rebate shoot bolt

Cover rail P 1226
Stay arm cover 9-35573-00-0*

End cap 9-30142-00-0*, Running rail P 1225

Stay arm glider 6-22755-00-0-0
Stay, rear
Groove 9
lh 6-29624-00-L-1
rh 6-29624-00-R-1
Groove 13
lh 6-29634-00-L-1
rh 6-29634-00-R-1

Centre gear, horizontal

Stay arm glider 6-22755-00-0-0
Stay, front
Groove 9
lh 6-29638-00-L-1
rh 6-29638-00-R-1
Groove 13
lh 6-29639-00-L-1
rh 6-29639-00-R-1

Locking plate
12 mm 9-31960-00-0-1
16 mm 9-32063-00-0-1
Locking plate Se
12 mm 9-39189-00-0-1
16 mm 9-39211-00-0-1
Countersunk screw 9-13281-10

Fitting requirements according to size of sashes for scheme C

| Qty. | Description | PU | Article No. | Handle pos. lh | Handle pos. rh |
|-------------|--|-----|-------------------|----------------|----------------|
| 1 | Box of runners G.U-966/200 | 1 | K-15266-00-L-0 | | K-15266-00-R-0 |
| 1 | Box of stays G.U-mZ C/ZH | | | | |
| | Timber, PVC profiles – groove 9 | 1 | K-15422-00-L-1 | | K-15422-00-R-1 |
| | PVC profiles – groove 13 | 1 | K-15424-00-L-1 | | K-15424-00-R-1 |
| alter-nat.: | Box of stays G.U-mZ C/ZK | | | | |
| | PVC profiles – groove 9 | 1 | K-15421-00-L-1 | | K-15421-00-R-1 |
| | PVC profiles – groove 13 | 1 | K-15423-00-L-1 | | K-15423-00-R-1 |
| 1 | Rebate shoot bolt C/ZH | | | | |
| | SRH Forend ML G | | | | |
| | 1371-1620 1090 1 495 | 10 | 6-25022-04-L-1 | | 6-25022-04-R-1 |
| | 1621-2370 1340 1 703 | 10 | 6-25022-55-L-1 | | 6-25022-55-R-1 |
| alter-nat.: | Rebate shoot bolt C/ZK | | | | |
| | SRH Forend ML G | | | | |
| | 1371-1620 1090 1 495 | 10 | 6-25021-04-0-1 | | |
| | 1621-2370 1340 1 703 | 10 | 6-25021-55-0-1 | | |
| 1 | Extension for rebate shoot bolt | | | | |
| | SRH Forend | | | | |
| | 1871-2370 500 | 10 | 6-25059-00-0-1 | | |
| 1 | Centre gear, vertical | | | | |
| | SRH Forend ML G | | | | |
| | 1371-1620 1090 1 600 | 10 | 6-23886-04-0-1 | | |
| | 1621-1870 1340 1 980 | 10 | 6-23886-55-0-1 | | |
| | 1871-2120 1590 2 980 | 10 | 6-23886-06-0-1 | | |
| | 2121-2370 1840 2 980 | 10 | 6-23886-07-0-1 | | |
| 2 | Centre gear, horizontal | | | | |
| | SRW Forend ML | | | | |
| | 720-1100 480 | 10 | 6-23830-01-0-1 | | |
| | 1101-1350 730 1 | 10 | 6-23830-02-0-1 | | |
| | 1351-1600 980 1 | 10 | 6-23830-03-0-1 | | |
| | 1601-1850 1230 2 | 10 | 6-23830-14-0-1 | | |
| 1 | Box of middle stay G.U-mZ | | | | |
| | Timber, PVC profiles – groove 9 | 1 | K-15486-00-L-1 | | K-15486-00-R-1 |
| | PVC profiles – groove 13 | 1 | K-15487-00-L-1 | | K-15487-00-R-1 |
| | SRW Forend ML | | | | |
| | 1851-2000 1480 2 | | | | |
| 1 | Cover for middle stay | 1 | 9-35573-00-0* | | |
| 1 | Bag of profiles G.U-966/200 [1] | | | | |
| | SRW | | | | |
| | 720- 850 | 1 | K-15267-20-0* | | |
| | 851-1100 | 1 | K-15267-25-0* | | |
| | 1101-1350 | 1 | K-15267-30-0* | | |
| | 1351-1600 | 1 | K-15267-35-0* | | |
| | 1601-1850 | 1 | K-15267-40-0* | | |
| | 1851-2000 | 1 | K-15267-45-0* | | |
| 2 | Positioning plate | 20 | (acc. to profile) | | |
| 2 | Locking plate Se | 100 | (acc. to profile) | | |
| | Locking plate | 100 | (acc. to profile) | | |
| | ZH ZK SRW SRH | | | | |
| | 4 7 720-1100 1371-1870 | | | | |
| | 5 9 1871-2370 | | | | |
| | 6 9 1101-1600 1371-1870 | | | | |
| | 7 11 1871-2370 | | | | |
| | 8 11 1601-2000 1371-1870 | | | | |
| | 9 13 1871-2370 | | | | |

Note:
[1] * = Colour: 1 = EV 1, 4 = UC 3, 5 = UC 5, 7 = white

Extension for rebate shoot bolt

Rebate lever ZK
lh 6-25020-00-L-1
rh 6-25020-00-R-1
Spax-Countersunk screw 9-13246-70

Rebate shoot bolt ZK **Rebate shoot bolt ZH**

Cover rail P 1602
Guide 6-29750-00-0-1

Support 9-38522-00-0-0
Rod 9-23055-**-0-1

End cap rh 9-38521-00-R*
Runner, rear
lh 6-29555-00-L-0
rh 6-29555-00-R-0

End cap lh 9-38521-00-L*
Runner, front
lh 6-32247-00-L-0
rh 6-32247-00-R-0

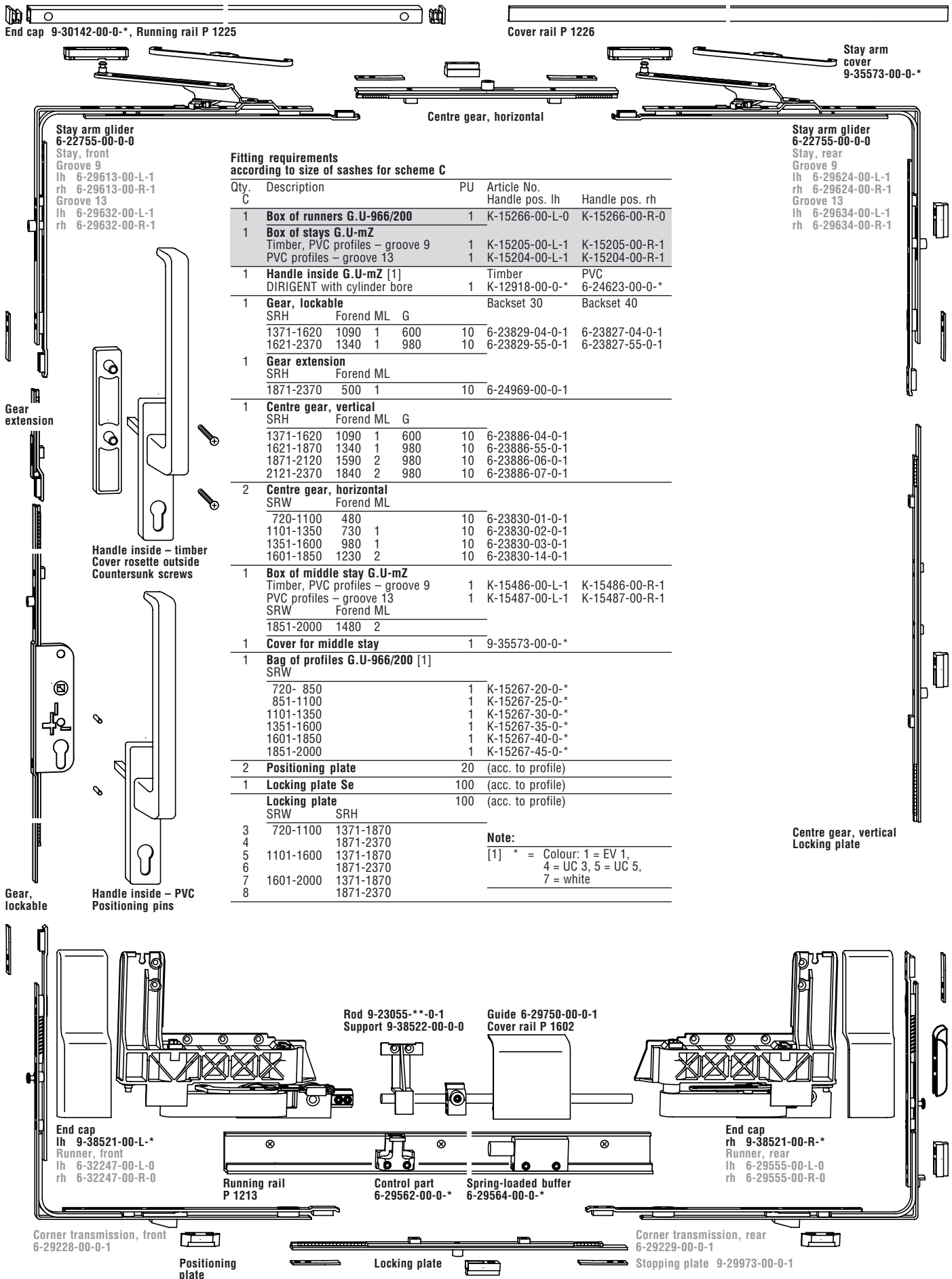
Running rail P 1213 **Spring-loaded buffer 6-29564-00-0*** **Control part 6-29562-00-0***

Corner transmission, rear 6-29229-00-0-1
Stopping plate 9-29973-00-0-1

Locking plate **Positioning plate**

Corner transmission, front 6-29877-00-0-1

Basic security – Timber and PVC, groove position 9 and 13 mm with lockable gear



Enhanced basic security – Timber and PVC, groove position 9 and 13 mm with rebate shoot bolt

Cover rail P 1226
Stay arm cover 9-35573-00-0*

End cap 9-30142-00-0*, Running rail P 1225

Stay arm glider 6-22755-00-0-0
Stay, rear
Groove 9
lh 6-29642-00-L-1
rh 6-29642-00-R-1
Groove 13
lh 6-29654-00-L-1
rh 6-29654-00-R-1

Centre gear, horizontal

Stay arm glider 6-22755-00-0-0
Stay, front
Groove 9
lh 6-29875-00-L-1
rh 6-29875-00-R-1
Groove 13
lh 6-29876-00-L-1
rh 6-29876-00-R-1

Locking plate
12 mm 9-31960-00-0-1
16 mm 9-32063-00-0-1
Locking plate Se
12 mm 9-39189-00-0-1
16 mm 9-39211-00-0-1
Countersunk screw 9-13281-10

Fitting requirements according to size of sashes for scheme C

| Qty. | Description | PU | Article No. | Handle pos. lh | Handle pos. rh |
|-------------|--|-----|-------------------|----------------|----------------|
| 1 | Box of runners G.U-966/200 | 1 | K-15266-00-L-0 | | K-15266-00-R-0 |
| 1 | Box of stays G.U-mZ C/ZH | | | | |
| | Timber, PVC profiles – groove 9 | 1 | K-15380-00-L-1 | | K-15380-00-R-1 |
| | PVC profiles – groove 13 | 1 | K-15394-00-L-1 | | K-15394-00-R-1 |
| alter-nat.: | Box of stays G.U-mZ C/ZK | | | | |
| | PVC profiles – groove 9 | 1 | K-15379-00-L-1 | | K-15379-00-R-1 |
| | PVC profiles – groove 13 | 1 | K-15383-00-L-1 | | K-15383-00-R-1 |
| 1 | Rebate shoot bolt C/ZH | | | | |
| | SRH Forend ML G | | | | |
| | 1371-1620 1090 1 495 | 10 | 6-25022-04-L-1 | | 6-25022-04-R-1 |
| | 1621-2370 1340 1 703 | 10 | 6-25022-55-L-1 | | 6-25022-55-R-1 |
| alter-nat.: | Rebate shoot bolt C/ZK | | | | |
| | SRH Forend ML G | | | | |
| | 1371-1620 1090 1 495 | 10 | 6-25021-04-0-1 | | |
| | 1621-2370 1340 1 703 | 10 | 6-25021-55-0-1 | | |
| 1 | Extension for rebate shoot bolt | | | | |
| | SRH Forend | | | | |
| | 1871-2370 500 | 10 | 6-25059-00-0-1 | | |
| 1 | Centre gear, vertical | | | | |
| | SRH Forend ML G | | | | |
| | 1371-1620 1090 1 600 | 10 | 6-23886-04-0-1 | | |
| | 1621-1870 1340 1 980 | 10 | 6-23886-55-0-1 | | |
| | 1871-2120 1590 2 980 | 10 | 6-23886-06-0-1 | | |
| | 2121-2370 1840 2 980 | 10 | 6-23886-07-0-1 | | |
| 2 | Centre gear, horizontal | | | | |
| | SRW Forend ML | | | | |
| | 720-1100 480 | 10 | 6-23830-01-0-1 | | |
| | 1101-1350 730 1 | 10 | 6-23830-02-0-1 | | |
| | 1351-1600 980 1 | 10 | 6-23830-03-0-1 | | |
| | 1601-1850 1230 2 | 10 | 6-23830-14-0-1 | | |
| 1 | Box of middle stay G.U-mZ | | | | |
| | Timber, PVC profiles – groove 9 | 1 | K-15486-00-L-1 | | K-15486-00-R-1 |
| | PVC profiles – groove 13 | 1 | K-15487-00-L-1 | | K-15487-00-R-1 |
| | SRW Forend ML | | | | |
| | 1851-2000 1480 2 | | | | |
| 1 | Cover for middle stay | 1 | 9-35573-00-0* | | |
| 1 | Bag of profiles G.U-966/200 [1] | | | | |
| | SRW | | | | |
| | 720- 850 | 1 | K-15267-20-0* | | |
| | 851-1100 | 1 | K-15267-25-0* | | |
| | 1101-1350 | 1 | K-15267-30-0* | | |
| | 1351-1600 | 1 | K-15267-35-0* | | |
| | 1601-1850 | 1 | K-15267-40-0* | | |
| | 1851-2000 | 1 | K-15267-45-0* | | |
| 2 | Positioning plate | 20 | (acc. to profile) | | |
| 4 | Locking plate Se | 100 | (acc. to profile) | | |
| | Locking plate | 100 | (acc. to profile) | | |
| | ZH ZK SRW SRH | | | | |
| | 2 5 720-1100 1371-1870 | | | | |
| | 3 7 1871-2370 | | | | |
| | 4 7 1101-1600 1371-1870 | | | | |
| | 5 9 1871-2370 | | | | |
| | 6 9 1601-2000 1371-1870 | | | | |
| | 7 11 1871-2370 | | | | |

Note:
[1] * = Colour: 1 = EV 1, 4 = UC 3, 5 = UC 5, 7 = white

Extension for rebate shoot bolt

Rebate lever ZK
lh 6-25020-00-L-1
rh 6-25020-00-R-1
Spax-Countersunk screw 9-13246-70

Rebate shoot bolt ZK **Rebate shoot bolt ZH**

Cover rail P 1602
Guide 6-29750-00-0-1

Support 9-38522-00-0-0
Rod 9-23055-**-0-1

End cap rh 9-38521-00-R-*
Runner, rear
lh 6-29555-00-L-0
rh 6-29555-00-R-0

End cap lh 9-38521-00-L-*
Runner, front
lh 6-32247-00-L-0
rh 6-32247-00-R-0

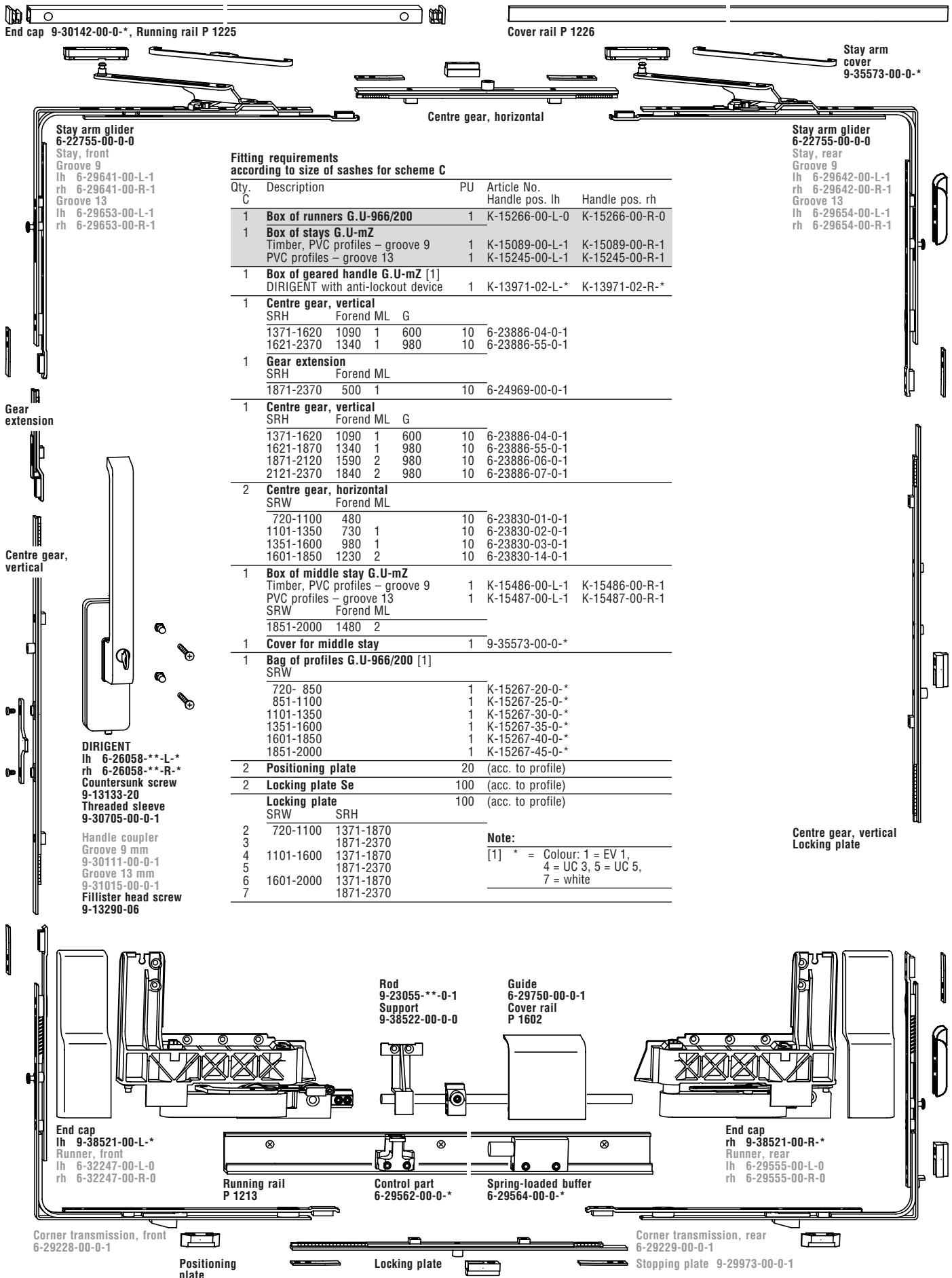
Running rail P 1213 **Spring-loaded buffer 6-29564-00-0-*** **Control part 6-29562-00-0-***

Corner transmission, rear 6-29229-00-0-1
Stopping plate 9-29973-00-0-1

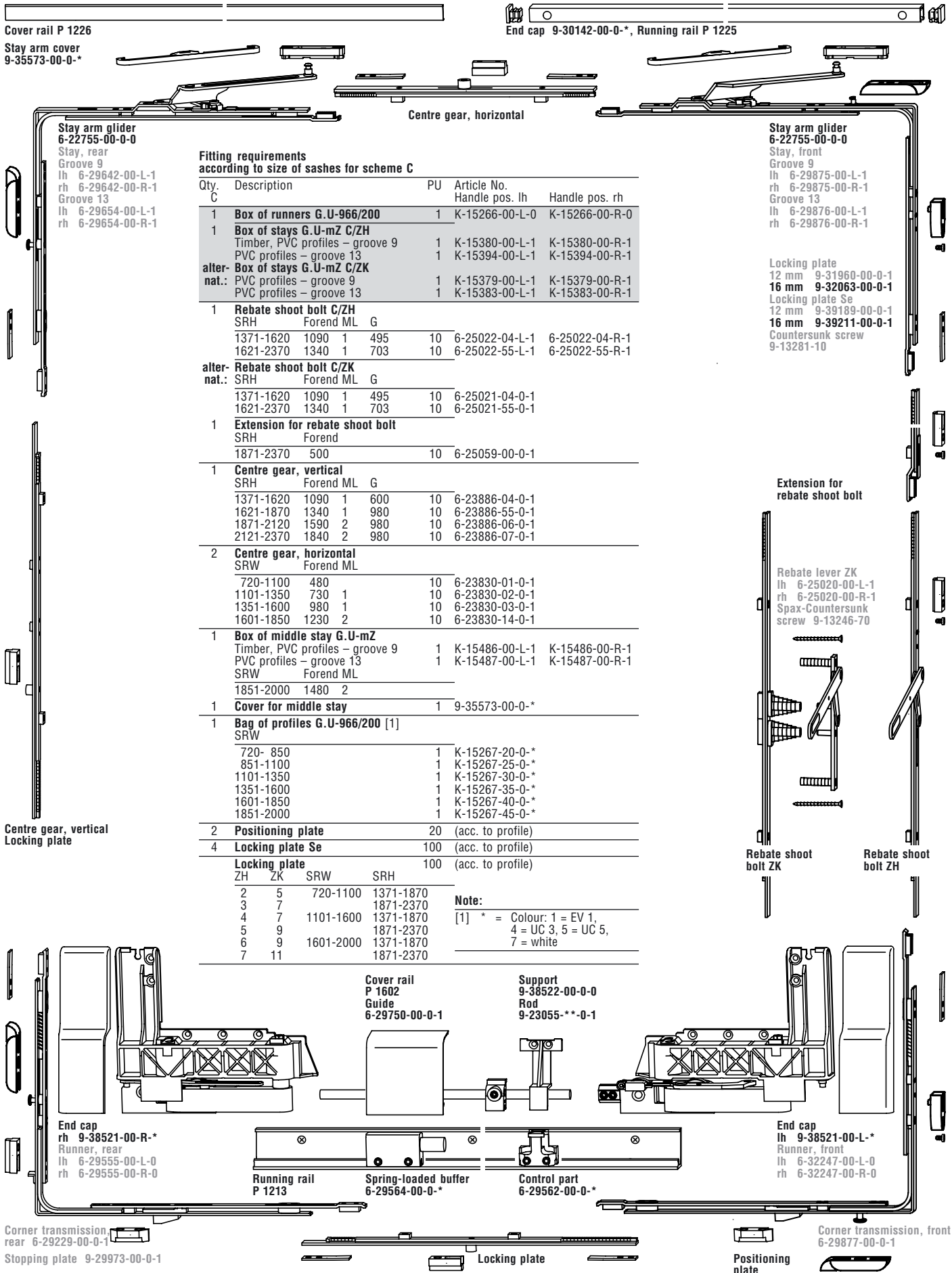
Locking plate **Positioning plate**

Corner transmission, front 6-29877-00-0-1

Enhanced basic security – Timber and PVC, groove position 9 and 13 mm with geared handle



Enhanced basic security – Timber and PVC, groove position 9 and 13 mm with rebate shoot bolt

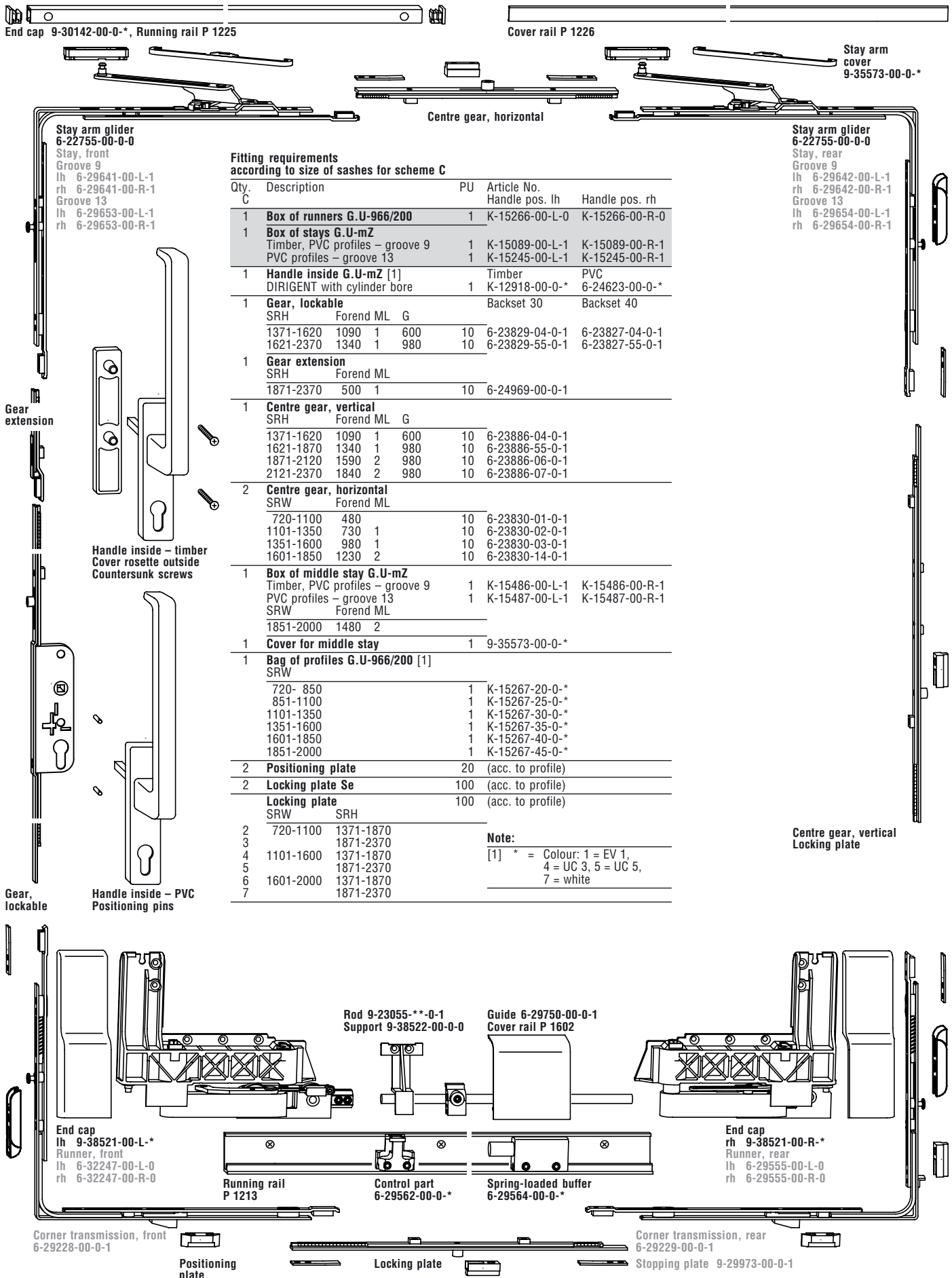


Fitting requirements according to size of sashes for scheme C

| Qty. | Description | PU | Article No. | Handle pos. lh | Handle pos. rh |
|-------------|--|-----|-------------------|----------------|----------------|
| 1 | Box of runners G.U-966/200 | 1 | K-15266-00-L-0 | | K-15266-00-R-0 |
| 1 | Box of stays G.U-mZ C/ZH | | | | |
| | Timber, PVC profiles – groove 9 | 1 | K-15380-00-L-1 | | K-15380-00-R-1 |
| | PVC profiles – groove 13 | 1 | K-15394-00-L-1 | | K-15394-00-R-1 |
| alter-nat.: | Box of stays G.U-mZ C/ZK | | | | |
| | PVC profiles – groove 9 | 1 | K-15379-00-L-1 | | K-15379-00-R-1 |
| | PVC profiles – groove 13 | 1 | K-15383-00-L-1 | | K-15383-00-R-1 |
| 1 | Rebate shoot bolt C/ZH | | | | |
| | SRH Forend ML G | | | | |
| | 1371-1620 1090 1 495 | 10 | 6-25022-04-L-1 | | 6-25022-04-R-1 |
| | 1621-2370 1340 1 703 | 10 | 6-25022-55-L-1 | | 6-25022-55-R-1 |
| alter-nat.: | Rebate shoot bolt C/ZK | | | | |
| | SRH Forend ML G | | | | |
| | 1371-1620 1090 1 495 | 10 | 6-25021-04-0-1 | | |
| | 1621-2370 1340 1 703 | 10 | 6-25021-55-0-1 | | |
| 1 | Extension for rebate shoot bolt | | | | |
| | SRH Forend | | | | |
| | 1871-2370 500 | 10 | 6-25059-00-0-1 | | |
| 1 | Centre gear, vertical | | | | |
| | SRH Forend ML G | | | | |
| | 1371-1620 1090 1 600 | 10 | 6-23886-04-0-1 | | |
| | 1621-1870 1340 1 980 | 10 | 6-23886-55-0-1 | | |
| | 1871-2120 1590 2 980 | 10 | 6-23886-06-0-1 | | |
| | 2121-2370 1840 2 980 | 10 | 6-23886-07-0-1 | | |
| 2 | Centre gear, horizontal | | | | |
| | SRW Forend ML | | | | |
| | 720-1100 480 | 10 | 6-23830-01-0-1 | | |
| | 1101-1350 730 1 | 10 | 6-23830-02-0-1 | | |
| | 1351-1600 980 1 | 10 | 6-23830-03-0-1 | | |
| | 1601-1850 1230 2 | 10 | 6-23830-14-0-1 | | |
| 1 | Box of middle stay G.U-mZ | | | | |
| | Timber, PVC profiles – groove 9 | 1 | K-15486-00-L-1 | | K-15486-00-R-1 |
| | PVC profiles – groove 13 | 1 | K-15487-00-L-1 | | K-15487-00-R-1 |
| | SRW Forend ML | | | | |
| | 1851-2000 1480 2 | | | | |
| 1 | Cover for middle stay | 1 | 9-35573-00-0-* | | |
| 1 | Bag of profiles G.U-966/200 [1] | | | | |
| | SRW | | | | |
| | 720- 850 | 1 | K-15267-20-0-* | | |
| | 851-1100 | 1 | K-15267-25-0-* | | |
| | 1101-1350 | 1 | K-15267-30-0-* | | |
| | 1351-1600 | 1 | K-15267-35-0-* | | |
| | 1601-1850 | 1 | K-15267-40-0-* | | |
| | 1851-2000 | 1 | K-15267-45-0-* | | |
| 2 | Positioning plate | 20 | (acc. to profile) | | |
| 4 | Locking plate Se | 100 | (acc. to profile) | | |
| | Locking plate | 100 | (acc. to profile) | | |
| | ZH ZK SRW SRH | | | | |
| | 2 5 720-1100 1371-1870 | | | | |
| | 3 7 1871-2370 | | | | |
| | 4 7 1101-1600 1371-1870 | | | | |
| | 5 9 1871-2370 | | | | |
| | 6 9 1601-2000 1371-1870 | | | | |
| | 7 11 1871-2370 | | | | |

Note:
[1] * = Colour: 1 = EV 1,
4 = UC 3, 5 = UC 5,
7 = white

Enhanced basic security – Timber and PVC, groove position 9 and 13 mm with lockable gear



WK 2 – Timber and PVC, groove position 9 and 13 mm with rebate shoot bolt

Cover rail P 1226
Stay arm cover 9-35573-00-0-*

End cap 9-30142-00-0-*, Running rail P 1225

Stay arm glider 6-22755-00-0-0
Stay, rear
Groove 9
lh 6-29642-00-L-1
rh 6-29642-00-R-1
Groove 13
lh 6-29654-00-L-1
rh 6-29654-00-R-1

Centre gear, horizontal Locking plate Se

Stay arm glider 6-22755-00-0-0
Stay, front
Groove 9
lh 6-29875-00-L-1
rh 6-29875-00-R-1
Groove 13
lh 6-29876-00-L-1
rh 6-29876-00-R-1

Locking plate Se
12 mm 9-39189-00-0-1
16 mm 9-39211-00-0-1
Countersunk screw 9-13281-10

Extension for rebate shoot bolt

Rebate lever ZK
lh 6-25020-00-L-1
rh 6-25020-00-R-1
Spax-Countersunk screw 9-13246-70

Rebate shoot bolt ZK

Rebate shoot bolt ZH

Centre gear, vertical Locking plate Se

End cap rh 9-38521-00-R-*
Runner, rear
lh 6-29555-00-L-0
rh 6-29555-00-R-0

End cap lh 9-38521-00-L-*
Runner, front
lh 6-32247-00-L-0
rh 6-32247-00-R-0

Running rail P 1213

Spring-loaded buffer 6-29564-00-0-*

Control part 6-29562-00-0-*

Corner transmission, rear 6-29229-00-0-1

Stopping plate 9-29973-00-0-1

Locking plate Se

Positioning plate

Corner transmission, front 6-29877-00-0-1

Fitting requirements according to size of sashes for scheme C

| Qty. | Description | PU | Article No. | Handle pos. lh | Handle pos. rh |
|-------------|---|-----|----------------------------------|----------------------------------|----------------|
| 1 | Box of runners G.U-966/200 | 1 | K-15266-00-L-0 | K-15266-00-R-0 | |
| 1 | Box of stays G.U-mZ C/ZH Timber, PVC profiles – groove 9 PVC profiles – groove 13 | 1 | K-15380-00-L-1 K-15394-00-L-1 | K-15380-00-R-1 K-15394-00-R-1 | |
| alter-nat.: | Box of stays G.U-mZ C/ZK PVC profiles – groove 9 PVC profiles – groove 13 | 1 | K-15379-00-L-1 K-15383-00-L-1 | K-15379-00-R-1 K-15383-00-R-1 | |
| 1 | Rebate shoot bolt C/ZH SRH Forend ML G | | | | |
| | 1371-1620 1090 1 495 | 10 | 6-25022-04-L-1 | 6-25022-04-R-1 | |
| | 1621-2370 1340 1 703 | 10 | 6-25022-55-L-1 | 6-25022-55-R-1 | |
| alter-nat.: | Rebate shoot bolt C/ZK SRH Forend ML G | | | | |
| | 1371-1620 1090 1 495 | 10 | 6-25021-04-0-1 | | |
| | 1621-2370 1340 1 703 | 10 | 6-25021-55-0-1 | | |
| 1 | Extension for rebate shoot bolt SRH Forend | | | | |
| | 1871-2370 500 | 10 | 6-25059-00-0-1 | | |
| 1 | Centre gear, vertical SRH Forend ML G | | | | |
| | 1371-1620 1090 1 600 | 10 | 6-29157-04-0-1 | | |
| | 1621-1870 1340 1 980 | 10 | 6-29157-55-0-1 | | |
| | 1871-2120 1590 2 980 | 10 | 6-29157-06-0-1 | | |
| | 2121-2370 1840 2 980 | 10 | 6-29157-07-0-1 | | |
| 2 | Centre gear, horizontal SRW Forend ML | | | | |
| | 720- 850 480 | 10 | 6-23830-01-0-1 | | |
| | 851-1100 480 1 | 10 | 6-29160-00-0-1 | | |
| | 1101-1350 730 1 | 10 | 6-29158-02-0-1 | | |
| | 1351-1600 980 1 | 10 | 6-29158-03-0-1 | | |
| | 1601-1850 1230 2 | 10 | 6-29158-14-0-1 | | |
| 1 | Box of middle stay G.U-mZ Timber, PVC profiles – groove 9 PVC profiles – groove 13 | 1 | K-15488-00-L-1 K-15489-00-L-1 | K-15488-00-R-1 K-15489-00-R-1 | |
| | SRW Forend ML | | | | |
| | 1851-2000 1480 2 | | | | |
| 1 | Cover for middle stay | 1 | 9-35573-00-0-* | | |
| 1 | Bag of profiles G.U-966/200 [1] SRW | | | | |
| | 720- 850 | 1 | K-15267-20-0-* | | |
| | 851-1100 | 1 | K-15267-25-0-* | | |
| | 1101-1350 | 1 | K-15267-30-0-* | | |
| | 1351-1600 | 1 | K-15267-35-0-* | | |
| | 1601-1850 | 1 | K-15267-40-0-* | | |
| | 1851-2000 | 1 | K-15267-45-0-* | | |
| 2 | Positioning plate | 20 | (acc. to profile) | | |
| 1 | Locking plate | 100 | (acc. to profile) | | |
| | Locking plate Se | 100 | (acc. to profile) | | |
| | ZH ZK SRW SRH | | | | |
| | 5 8 720-1100 1371-1870 | | | | |
| | 6 10 1871-2370 | | | | |
| | 7 10 1101-1600 1371-1870 | | | | |
| | 8 12 1871-2370 | | | | |
| | 9 12 1601-2000 1371-1870 | | | | |
| | 10 14 1871-2370 | | | | |

Note:
[1] * = Colour: 1 = EV 1,
4 = UC 3, 5 = UC 5,
7 = white

Cover rail P 1602
Guide 6-29750-00-0-1

Support 9-38522-00-0-0
Rod 9-23055-**-0-1

WK 2 – Timber and PVC, groove position 9 and 13 mm with geared handle

End cap 9-30142-00-0-*, **Running rail** P 1225

Cover rail P 1226

Stay arm cover 9-35573-00-0-*

Stay arm glider 6-22755-00-0-0
Stay, front
Groove 9
lh 6-29641-00-L-1
rh 6-29641-00-R-1
Groove 13
lh 6-29653-00-L-1
rh 6-29653-00-R-1
Locking plate Se

Centre gear, horizontal
Locking plate Se

Stay arm glider 6-22755-00-0-0
Stay, rear
Groove 9
lh 6-29642-00-L-1
rh 6-29642-00-R-1
Groove 13
lh 6-29654-00-L-1
rh 6-29654-00-R-1
Locking plate Se

Fitting requirements according to size of sashes for scheme C

| Qty. | Description | PU | Article No. | |
|------|--|-----------|-------------------|----------------|
| C | | | Handle pos. lh | Handle pos. rh |
| 1 | Box of runners G.U-966/200 | 1 | K-15266-00-L-0 | K-15266-00-R-0 |
| 1 | Box of stays G.U-mZ | | | |
| | Timber, PVC profiles – groove 9 | 1 | K-15089-00-L-1 | K-15089-00-R-1 |
| | PVC profiles – groove 13 | 1 | K-15245-00-L-1 | K-15245-00-R-1 |
| 1 | Box of geared handle G.U-mZ [1] | | | |
| | DIRIGENT with anti-lockout device | 1 | K-13971-02-L-* | K-13971-02-R-* |
| 1 | Centre gear, vertical | | | |
| | SRH Forend ML G | | | |
| | 1371-1620 1090 1 600 | 10 | 6-29157-04-0-1 | |
| | 1621-2370 1340 1 980 | 10 | 6-29157-55-0-1 | |
| 1 | Gear extension | | | |
| | SRH Forend ML | | | |
| | 1871-2370 500 1 | 10 | 6-29159-00-0-1 | |
| 1 | Centre gear, vertical | | | |
| | SRH Forend ML G | | | |
| | 1371-1620 1090 1 600 | 10 | 6-29157-04-0-1 | |
| | 1621-1870 1340 1 980 | 10 | 6-29157-55-0-1 | |
| | 1871-2120 1590 2 980 | 10 | 6-29157-06-0-1 | |
| | 2121-2370 1840 2 980 | 10 | 6-29157-07-0-1 | |
| 2 | Centre gear, horizontal | | | |
| | SRW Forend ML | | | |
| | 720- 850 480 | 10 | 6-23830-01-0-1 | |
| | 851-1100 480 1 | 10 | 6-29160-00-0-1 | |
| | 1101-1350 730 1 | 10 | 6-29158-02-0-1 | |
| | 1351-1600 980 1 | 10 | 6-29158-03-0-1 | |
| | 1601-1850 1230 2 | 10 | 6-29158-14-0-1 | |
| 1 | Box of middle stay G.U-mZ | | | |
| | Timber, PVC profiles – groove 9 | 1 | K-15488-00-L-1 | K-15488-00-R-1 |
| | PVC profiles – groove 13 | 1 | K-15489-00-L-1 | K-15489-00-R-1 |
| | SRW Forend ML | | | |
| | 1851-2000 1480 2 | | | |
| 1 | Cover for middle stay | 1 | 9-35573-00-0-* | |
| 1 | Bag of profiles G.U-966/200 [1] | | | |
| | SRW | | | |
| | 720- 850 | 1 | K-15267-20-0-* | |
| | 851-1100 | 1 | K-15267-25-0-* | |
| | 1101-1350 | 1 | K-15267-30-0-* | |
| | 1351-1600 | 1 | K-15267-35-0-* | |
| | 1601-1850 | 1 | K-15267-40-0-* | |
| | 1851-2000 | 1 | K-15267-45-0-* | |
| 2 | Positioning plate | 20 | (acc. to profile) | |
| 1 | Locking plate | 100 | (acc. to profile) | |
| | Locking plate Se | 100 | (acc. to profile) | |
| | SRW SRH | | | |
| 3 | 720-1100 | 1371-1870 | | |
| 4 | | 1871-2370 | | |
| 5 | 1101-1600 | 1371-1870 | | |
| 6 | | 1871-2370 | | |
| 7 | 1601-2000 | 1371-1870 | | |
| 8 | | 1871-2370 | | |

DIRIGENT
lh 6-26058-**-L-*
rh 6-26058-**-R-*
Countersunk screw
9-13133-20
Threaded sleeve
9-30705-00-0-1

Handle coupler
Groove 9 mm
9-30111-00-0-1
Groove 13 mm
9-31015-00-0-1

Centre gear, vertical
Locking plate Se
Fillister head screw
9-13290-06

Note:
[1] * = Colour: 1 = EV 1,
4 = UC 3, 5 = UC 5,
7 = white

End cap 9-30142-00-0-*, **Running rail** P 1225

Cover rail P 1226

Stay arm cover 9-35573-00-0-*

Stay arm glider 6-22755-00-0-0
Stay, front
Groove 9
lh 6-29641-00-L-1
rh 6-29641-00-R-1
Groove 13
lh 6-29653-00-L-1
rh 6-29653-00-R-1
Locking plate Se

Centre gear, horizontal
Locking plate Se

Stay arm glider 6-22755-00-0-0
Stay, rear
Groove 9
lh 6-29642-00-L-1
rh 6-29642-00-R-1
Groove 13
lh 6-29654-00-L-1
rh 6-29654-00-R-1
Locking plate Se

Fitting requirements according to size of sashes for scheme C

| Qty. | Description | PU | Article No. | |
|------|--|-----------|-------------------|----------------|
| C | | | Handle pos. lh | Handle pos. rh |
| 1 | Box of runners G.U-966/200 | 1 | K-15266-00-L-0 | K-15266-00-R-0 |
| 1 | Box of stays G.U-mZ | | | |
| | Timber, PVC profiles – groove 9 | 1 | K-15089-00-L-1 | K-15089-00-R-1 |
| | PVC profiles – groove 13 | 1 | K-15245-00-L-1 | K-15245-00-R-1 |
| 1 | Box of geared handle G.U-mZ [1] | | | |
| | DIRIGENT with anti-lockout device | 1 | K-13971-02-L-* | K-13971-02-R-* |
| 1 | Centre gear, vertical | | | |
| | SRH Forend ML G | | | |
| | 1371-1620 1090 1 600 | 10 | 6-29157-04-0-1 | |
| | 1621-2370 1340 1 980 | 10 | 6-29157-55-0-1 | |
| 1 | Gear extension | | | |
| | SRH Forend ML | | | |
| | 1871-2370 500 1 | 10 | 6-29159-00-0-1 | |
| 1 | Centre gear, vertical | | | |
| | SRH Forend ML G | | | |
| | 1371-1620 1090 1 600 | 10 | 6-29157-04-0-1 | |
| | 1621-1870 1340 1 980 | 10 | 6-29157-55-0-1 | |
| | 1871-2120 1590 2 980 | 10 | 6-29157-06-0-1 | |
| | 2121-2370 1840 2 980 | 10 | 6-29157-07-0-1 | |
| 2 | Centre gear, horizontal | | | |
| | SRW Forend ML | | | |
| | 720- 850 480 | 10 | 6-23830-01-0-1 | |
| | 851-1100 480 1 | 10 | 6-29160-00-0-1 | |
| | 1101-1350 730 1 | 10 | 6-29158-02-0-1 | |
| | 1351-1600 980 1 | 10 | 6-29158-03-0-1 | |
| | 1601-1850 1230 2 | 10 | 6-29158-14-0-1 | |
| 1 | Box of middle stay G.U-mZ | | | |
| | Timber, PVC profiles – groove 9 | 1 | K-15488-00-L-1 | K-15488-00-R-1 |
| | PVC profiles – groove 13 | 1 | K-15489-00-L-1 | K-15489-00-R-1 |
| | SRW Forend ML | | | |
| | 1851-2000 1480 2 | | | |
| 1 | Cover for middle stay | 1 | 9-35573-00-0-* | |
| 1 | Bag of profiles G.U-966/200 [1] | | | |
| | SRW | | | |
| | 720- 850 | 1 | K-15267-20-0-* | |
| | 851-1100 | 1 | K-15267-25-0-* | |
| | 1101-1350 | 1 | K-15267-30-0-* | |
| | 1351-1600 | 1 | K-15267-35-0-* | |
| | 1601-1850 | 1 | K-15267-40-0-* | |
| | 1851-2000 | 1 | K-15267-45-0-* | |
| 2 | Positioning plate | 20 | (acc. to profile) | |
| 1 | Locking plate | 100 | (acc. to profile) | |
| | Locking plate Se | 100 | (acc. to profile) | |
| | SRW SRH | | | |
| 3 | 720-1100 | 1371-1870 | | |
| 4 | | 1871-2370 | | |
| 5 | 1101-1600 | 1371-1870 | | |
| 6 | | 1871-2370 | | |
| 7 | 1601-2000 | 1371-1870 | | |
| 8 | | 1871-2370 | | |

DIRIGENT
lh 6-26058-**-L-*
rh 6-26058-**-R-*
Countersunk screw
9-13133-20
Threaded sleeve
9-30705-00-0-1

Handle coupler
Groove 9 mm
9-30111-00-0-1
Groove 13 mm
9-31015-00-0-1

Centre gear, vertical
Locking plate Se
Fillister head screw
9-13290-06

Note:
[1] * = Colour: 1 = EV 1,
4 = UC 3, 5 = UC 5,
7 = white

End cap 9-38521-00-L-*, **Runner, front**
lh 6-32247-00-L-0
rh 6-32247-00-R-0

Running rail P 1213

Control part 6-29562-00-0-*

Spring-loaded buffer 6-29564-00-0-*

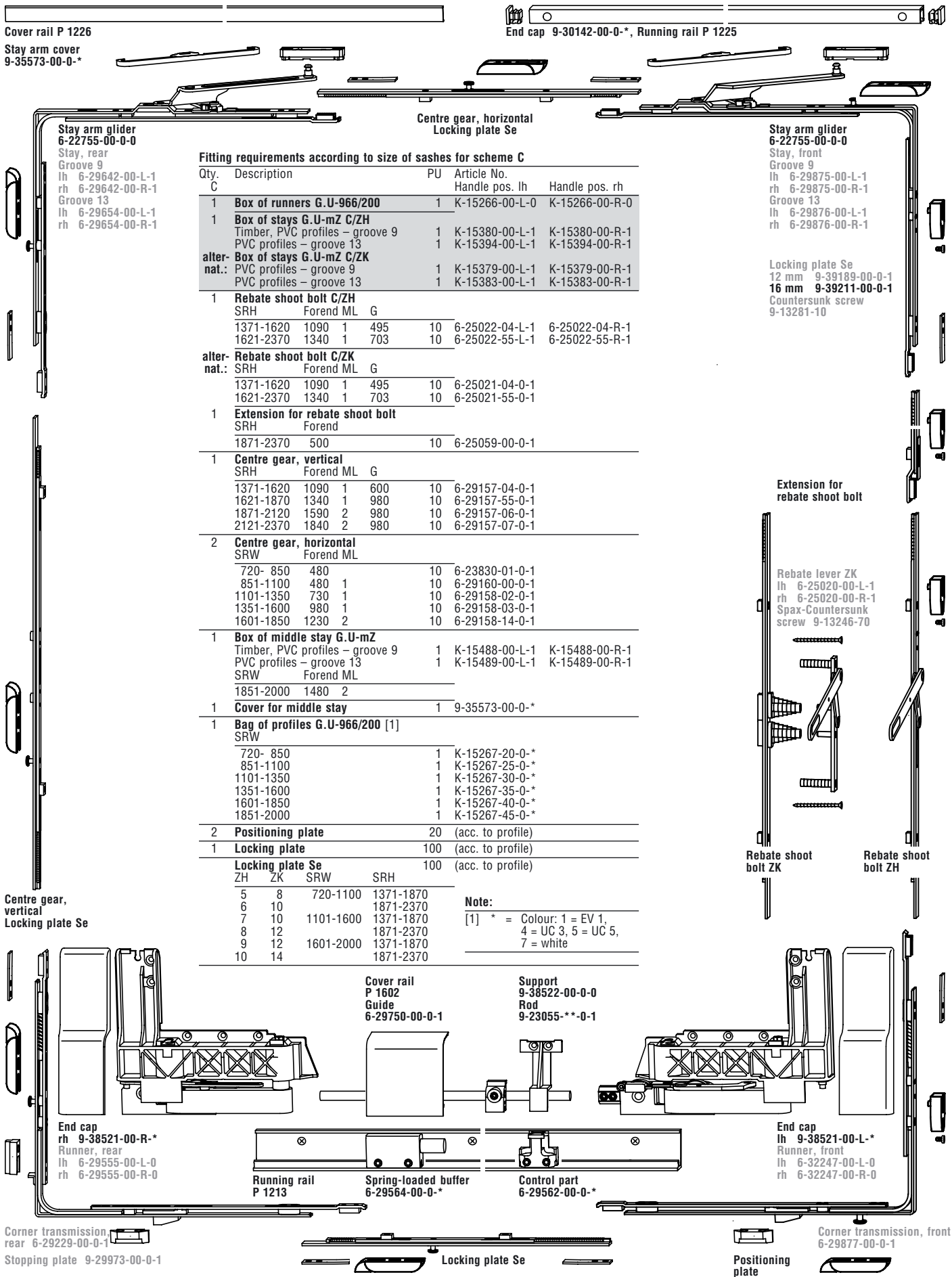
End cap 9-38521-00-R-*, **Runner, rear**
lh 6-29555-00-L-0
rh 6-29555-00-R-0

Corner transmission, front 6-29228-00-0-1
Locking plate Se

Positioning plate

Corner transmission, rear 6-29229-00-0-1
Stopping plate 9-29973-00-0-1

WK 2 – Timber and PVC, groove position 9 and 13 mm with rebate shoot bolt



Cover rail P 1226
Stay arm cover 9-35573-00-0-*

End cap 9-30142-00-0-*, Running rail P 1225

Stay arm glider 6-22755-00-0-0
Stay, rear
Groove 9
lh 6-29642-00-L-1
rh 6-29642-00-R-1
Groove 13
lh 6-29654-00-L-1
rh 6-29654-00-R-1

Centre gear, horizontal
Locking plate Se

Stay arm glider 6-22755-00-0-0
Stay, front
Groove 9
lh 6-29875-00-L-1
rh 6-29875-00-R-1
Groove 13
lh 6-29876-00-L-1
rh 6-29876-00-R-1

Fitting requirements according to size of sashes for scheme C

| Qty. | Description | PU | Article No. | Handle pos. lh | Handle pos. rh |
|-------------|---|-----|----------------------------------|----------------------------------|----------------|
| 1 | Box of runners G.U-966/200 | 1 | K-15266-00-L-0 | K-15266-00-R-0 | |
| 1 | Box of stays G.U-mZ C/ZH Timber, PVC profiles – groove 9 PVC profiles – groove 13 | 1 | K-15380-00-L-1 K-15394-00-L-1 | K-15380-00-R-1 K-15394-00-R-1 | |
| alter-nat.: | Box of stays G.U-mZ C/ZK PVC profiles – groove 9 PVC profiles – groove 13 | 1 | K-15379-00-L-1 K-15383-00-L-1 | K-15379-00-R-1 K-15383-00-R-1 | |
| 1 | Rebate shoot bolt C/ZH SRH Forend ML G | | | | |
| | 1371-1620 1090 1 495 | 10 | 6-25022-04-L-1 | 6-25022-04-R-1 | |
| | 1621-2370 1340 1 703 | 10 | 6-25022-55-L-1 | 6-25022-55-R-1 | |
| alter-nat.: | Rebate shoot bolt C/ZK SRH Forend ML G | | | | |
| | 1371-1620 1090 1 495 | 10 | 6-25021-04-0-1 | | |
| | 1621-2370 1340 1 703 | 10 | 6-25021-55-0-1 | | |
| 1 | Extension for rebate shoot bolt SRH Forend | | | | |
| | 1871-2370 500 | 10 | 6-25059-00-0-1 | | |
| 1 | Centre gear, vertical SRH Forend ML G | | | | |
| | 1371-1620 1090 1 600 | 10 | 6-29157-04-0-1 | | |
| | 1621-1870 1340 1 980 | 10 | 6-29157-55-0-1 | | |
| | 1871-2120 1590 2 980 | 10 | 6-29157-06-0-1 | | |
| | 2121-2370 1840 2 980 | 10 | 6-29157-07-0-1 | | |
| 2 | Centre gear, horizontal SRW Forend ML | | | | |
| | 720- 850 480 | 10 | 6-23830-01-0-1 | | |
| | 851-1100 480 1 | 10 | 6-29160-00-0-1 | | |
| | 1101-1350 730 1 | 10 | 6-29158-02-0-1 | | |
| | 1351-1600 980 1 | 10 | 6-29158-03-0-1 | | |
| | 1601-1850 1230 2 | 10 | 6-29158-14-0-1 | | |
| 1 | Box of middle stay G.U-mZ Timber, PVC profiles – groove 9 PVC profiles – groove 13 | 1 | K-15488-00-L-1 K-15489-00-L-1 | K-15488-00-R-1 K-15489-00-R-1 | |
| | SRW Forend ML | | | | |
| | 1851-2000 1480 2 | | | | |
| 1 | Cover for middle stay | 1 | 9-35573-00-0-* | | |
| 1 | Bag of profiles G.U-966/200 [1] SRW | | | | |
| | 720- 850 | 1 | K-15267-20-0-* | | |
| | 851-1100 | 1 | K-15267-25-0-* | | |
| | 1101-1350 | 1 | K-15267-30-0-* | | |
| | 1351-1600 | 1 | K-15267-35-0-* | | |
| | 1601-1850 | 1 | K-15267-40-0-* | | |
| | 1851-2000 | 1 | K-15267-45-0-* | | |
| 2 | Positioning plate | 20 | (acc. to profile) | | |
| 1 | Locking plate | 100 | (acc. to profile) | | |
| | Locking plate Se | 100 | (acc. to profile) | | |
| | ZH ZK SRW SRH | | | | |
| | 5 8 720-1100 1371-1870 | | | | |
| | 6 10 1871-2370 | | | | |
| | 7 10 1101-1600 1371-1870 | | | | |
| | 8 12 1871-2370 | | | | |
| | 9 12 1601-2000 1371-1870 | | | | |
| | 10 14 1871-2370 | | | | |

Locking plate Se
12 mm 9-39189-00-0-1
16 mm 9-39211-00-0-1
Countersunk screw 9-13281-10

Extension for rebate shoot bolt

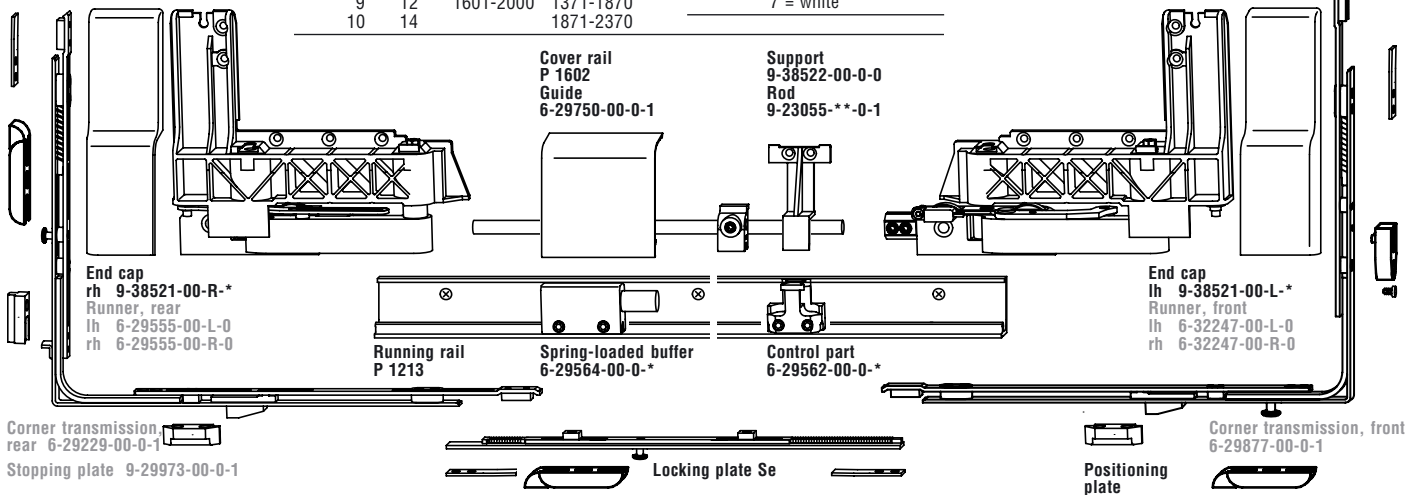
Rebate lever ZK
lh 6-25020-00-L-1
rh 6-25020-00-R-1
Spax-Countersunk screw 9-13246-70

Rebate shoot bolt ZK

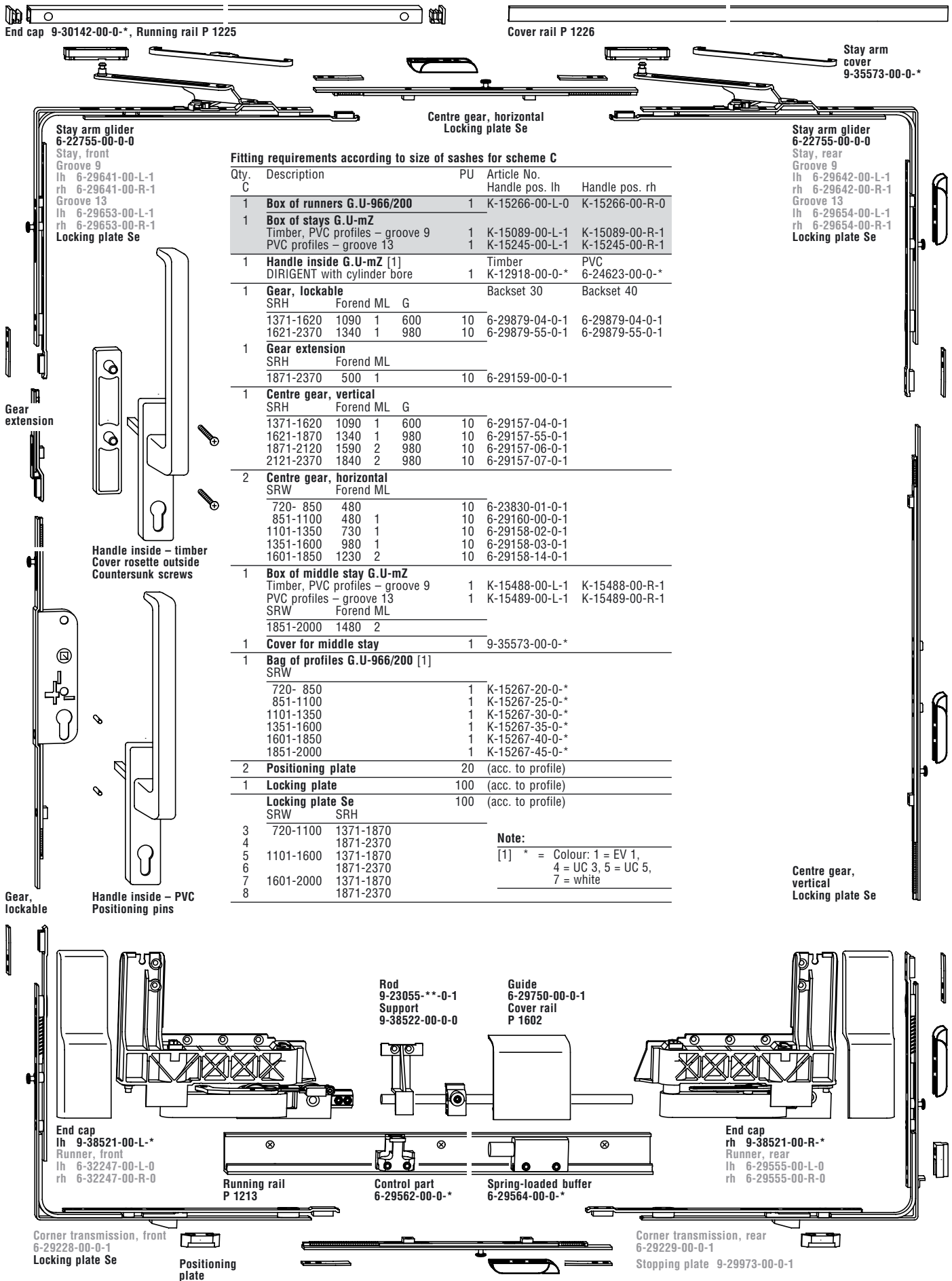
Rebate shoot bolt ZH

Note:
[1] * = Colour: 1 = EV 1,
4 = UC 3, 5 = UC 5,
7 = white

Centre gear, vertical
Locking plate Se



WK 2 – Timber and PVC, groove position 9 and 13 mm with lockable gear



Fitting requirements according to size of sashes for scheme C

| Qty. | Description | PU | Article No. | Handle pos. lh | Handle pos. rh |
|------|--|-----|-------------------|--------------------|----------------|
| 1 | Box of runners G.U-966/200 | 1 | K-15266-00-L-0 | K-15266-00-R-0 | |
| 1 | Box of stays G.U-mZ | | | | |
| | Timber, PVC profiles – groove 9 | 1 | K-15089-00-L-1 | K-15089-00-R-1 | |
| | PVC profiles – groove 13 | 1 | K-15245-00-L-1 | K-15245-00-R-1 | |
| 1 | Handle inside G.U-mZ [1] | | | | |
| | DIRIGENT with cylinder bore | 1 | K-12918-00-0-* | PVC 6-24623-00-0-* | |
| 1 | Gear, lockable | | | | |
| | SRH Forend ML G | | | Backset 30 | Backset 40 |
| | 1371-1620 1090 1 600 | 10 | 6-29879-04-0-1 | 6-29879-04-0-1 | |
| | 1621-2370 1340 1 980 | 10 | 6-29879-55-0-1 | 6-29879-55-0-1 | |
| 1 | Gear extension | | | | |
| | SRH Forend ML | | | | |
| | 1871-2370 500 1 | 10 | 6-29159-00-0-1 | | |
| 1 | Centre gear, vertical | | | | |
| | SRH Forend ML G | | | | |
| | 1371-1620 1090 1 600 | 10 | 6-29157-04-0-1 | | |
| | 1621-1870 1340 1 980 | 10 | 6-29157-55-0-1 | | |
| | 1871-2120 1590 2 980 | 10 | 6-29157-06-0-1 | | |
| | 2121-2370 1840 2 980 | 10 | 6-29157-07-0-1 | | |
| 2 | Centre gear, horizontal | | | | |
| | SRW Forend ML | | | | |
| | 720- 850 480 | 10 | 6-23830-01-0-1 | | |
| | 851-1100 480 1 | 10 | 6-29160-00-0-1 | | |
| | 1101-1350 730 1 | 10 | 6-29158-02-0-1 | | |
| | 1351-1600 980 1 | 10 | 6-29158-03-0-1 | | |
| | 1601-1850 1230 2 | 10 | 6-29158-14-0-1 | | |
| 1 | Box of middle stay G.U-mZ | | | | |
| | Timber, PVC profiles – groove 9 | 1 | K-15488-00-L-1 | K-15488-00-R-1 | |
| | PVC profiles – groove 13 | 1 | K-15489-00-L-1 | K-15489-00-R-1 | |
| | SRW Forend ML | | | | |
| | 1851-2000 1480 2 | | | | |
| 1 | Cover for middle stay | 1 | 9-35573-00-0-* | | |
| 1 | Bag of profiles G.U-966/200 [1] | | | | |
| | SRW | | | | |
| | 720- 850 | 1 | K-15267-20-0-* | | |
| | 851-1100 | 1 | K-15267-25-0-* | | |
| | 1101-1350 | 1 | K-15267-30-0-* | | |
| | 1351-1600 | 1 | K-15267-35-0-* | | |
| | 1601-1850 | 1 | K-15267-40-0-* | | |
| | 1851-2000 | 1 | K-15267-45-0-* | | |
| 2 | Positioning plate | 20 | (acc. to profile) | | |
| 1 | Locking plate | 100 | (acc. to profile) | | |
| | Locking plate Se | 100 | (acc. to profile) | | |
| | SRW SRH | | | | |
| 3 | 720-1100 | | 1371-1870 | | |
| 4 | | | 1871-2370 | | |
| 5 | 1101-1600 | | 1371-1870 | | |
| 6 | | | 1871-2370 | | |
| 7 | 1601-2000 | | 1371-1870 | | |
| 8 | | | 1871-2370 | | |

Note:

[1] * = Colour: 1 = EV 1,
 4 = UC 3, 5 = UC 5,
 7 = white

Basic security – Timber and PVC, groove position 9 and 13 mm with geared handle

End cap 9-30142-00-0-*, Running rail P 1225

Cover rail P 1226

Abdeckkappe Schere 9-35573-00-0-*

Centre gear, horizontal

Stay arm glider 6-22755-00-0-0
Stay, front
Groove 9
lh 6-29613-00-L-1
rh 6-29613-00-R-1
Groove 13
lh 6-29632-00-L-1
rh 6-29632-00-R-1

Stay arm glider 6-22755-00-0-0
Stay, rear
Groove 9
lh 6-29624-00-L-1
rh 6-29624-00-R-1
Groove 13
lh 6-29634-00-L-1
rh 6-29634-00-R-1

Fitting requirements according to size of sashes for schemes A to K

| Qty. | Description | PU | Article No. | Handle pos. lh | Handle pos. rh |
|----------|--|-----|-------------------|----------------|----------------|
| 1 1 1 2 | Box of runners G.U-966/150 | 1 | K-15276-00-L-0 | | K-15276-00-R-0 |
| 1 1 1 2 | Box of stays G.U-mZ | | | | |
| | Timber, PVC profiles – groove 9 | 1 | K-15205-00-L-1 | | K-15205-00-R-1 |
| | PVC profiles – groove 13 | 1 | K-15204-00-L-1 | | K-15204-00-R-1 |
| 1 1 1 2 | Box of geared handle G.U-mZ [1] | | | | |
| | DIRIGENT with anti-lockout device | 1 | K-12920-00-L-* | | K-12920-00-R-* |
| 2 2 2 4 | Centre gear, vertical | | | | |
| | SRH Forend ML G | | | | |
| | 820- 960 431 440 | 10 | 6-23886-01-0-1 | | |
| | 961-1120 590 500 | 10 | 6-23886-02-0-1 | | |
| | 1121-1370 840 500 | 10 | 6-23886-03-0-1 | | |
| | 1371-1620 1090 1 600 | 10 | 6-23886-04-0-1 | | |
| | 1621-1870 1340 1 600 | 10 | 6-23886-05-0-1 | | |
| | 1621-1870 1340 1 980 | 10 | 6-23886-55-0-1 | | |
| | 1871-2120 1590 2 980 | 10 | 6-23886-06-0-1 | | |
| | 2121-2370 1840 2 980 | 10 | 6-23886-07-0-1 | | |
| 2 2 2 4 | Centre gear, horizontal | | | | |
| | SRW Forend ML | | | | |
| | 720-1100 480 | 10 | 6-23830-01-0-1 | | |
| | 1101-1350 730 1 | 10 | 6-23830-02-0-1 | | |
| | 1351-1600 980 1 | 10 | 6-23830-03-0-1 | | |
| 1 1 1 2 | Bag of profiles G.U-966/150 [1] | | | | |
| | SRW | | | | |
| | 720- 850 | 1 | K-15277-20-0-* | | |
| | 851-1100 | 1 | K-15277-25-0-* | | |
| | 1101-1350 | 1 | K-15277-30-0-* | | |
| | 1351-1600 | 1 | K-15277-35-0-* | | |
| 2 2 2 4 | Positioning plate | 20 | (acc. to profile) | | |
| 2 2 2 4 | Locking plate Se | 100 | (acc. to profile) | | |
| | Locking plate | 100 | (acc. to profile) | | |
| | SRW SRH | | | | |
| 3 3 3 6 | 720-1100 820-1370 | | | | |
| 5 5 5 10 | 1371-1870 | | | | |
| 7 7 7 14 | 1871-2370 | | | | |
| 5 5 5 10 | 1101-1600 820-1370 | | | | |
| 7 7 7 14 | 1371-1870 | | | | |
| 9 9 9 18 | 1871-2370 | | | | |

[1] * = Colour: 1 = EV 1, 4 = UC 3, 5 = UC 5, 7 = white
[2] • = 1 box for handle pos. lh, 1 box for handle pos. rh
Note: Sash weight max. 150 kg

DIRIGENT
lh 6-24542-00-L-*
rh 6-24542-00-R-*

Countersunk screw 9-13133-20
Threaded sleeve 9-30705-00-0-1

Handle coupler
Groove 9 mm 9-30111-00-0-1
Groove 13 mm 9-31015-00-0-1

Centre gear, vertical
Fillister head screw 9-13290-06

End cap 9-38542-00-L-*

Runner, front
lh 6-32544-00-L-0
rh 6-32544-00-R-0

Running rail P 1300

Control part 6-29563-00-0-*

Spring-loaded buffer 6-29565-00-0-*

End cap 9-38542-00-R-*

Runner, rear
lh 6-29559-00-L-0
rh 6-29559-00-R-0

Corner transmission, front 6-29228-00-0-1

Positioning plate

Locking plate

Corner transmission, rear 6-29229-00-0-1

Stopping plate 9-29973-00-0-1

Rod 9-25476-**-0-1
Support 9-38522-00-0-0

Guide 6-24764-00-0-0
Cover rail P 1607

Enhanced basic security – Timber and PVC, groove position 9 and 13 mm with geared handle

End cap 9-30142-00-0-*, Running rail P 1225

Cover rail P 1226

Stay arm cover 9-35573-00-0-*

Centre gear, horizontal

Stay arm glider 6-22755-00-0-0
Stay, front
Groove 9
lh 6-29641-00-L-1
rh 6-29641-00-R-1
Groove 13
lh 6-29653-00-L-1
rh 6-29653-00-R-1

Stay arm glider 6-22755-00-0-0
Stay, rear
Groove 9
lh 6-29642-00-L-1
rh 6-29642-00-R-1
Groove 13
lh 6-29654-00-L-1
rh 6-29654-00-R-1

Fitting requirements according to size of sashes for schemes A to K

| Qty. | Description | PU | Article No. | Handle pos. lh | Handle pos. rh | |
|------|-----------------------------------|-----------|--|--|----------------|-------------------|
| 1 | 1 | 2 | Box of runners G.U-966/150 | 1 | K-15276-00-L-0 | K-15276-00-R-0 |
| 1 | 1 | 2 | Box of stays G.U-mZ | | | |
| | Timber, PVC profiles – groove 9 | 1 | K-15089-00-L-1 | | K-15089-00-R-1 | |
| | PVC profiles – groove 13 | 1 | K-15245-00-L-1 | | K-15245-00-R-1 | |
| 1 | 1 | 2 | Box of geared handle G.U-mZ [1] | | | |
| | DIRIGENT with anti-lockout device | 1 | K-13971-02-L-* | | K-13971-02-R-* | |
| 2 | 2 | 4 | Centre gear, vertical | | | |
| | SRH | Forend ML | G | | | |
| | 820- 960 | 431 | 440 | 10 | 6-23886-01-0-1 | |
| | 961-1120 | 590 | 500 | 10 | 6-23886-02-0-1 | |
| | 1121-1370 | 840 | 500 | 10 | 6-23886-03-0-1 | |
| | 1371-1620 | 1090 | 1 | 600 | 6-23886-04-0-1 | |
| | 1621-1870 | 1340 | 1 | 600 | 6-23886-05-0-1 | |
| | 1621-1870 | 1340 | 1 | 980 | 6-23886-55-0-1 | |
| | 1871-2120 | 1590 | 2 | 980 | 6-23886-06-0-1 | |
| | 2121-2370 | 1840 | 2 | 980 | 6-23886-07-0-1 | |
| 2 | 2 | 2 | 4 | Centre gear, horizontal | | |
| | SRW | Forend ML | | | | |
| | 720-1100 | 480 | | 10 | 6-23830-01-0-1 | |
| | 1101-1350 | 730 | 1 | 10 | 6-23830-02-0-1 | |
| | 1351-1600 | 980 | 1 | 10 | 6-23830-03-0-1 | |
| 1 | 1 | 1 | 2 | Bag of profiles G.U-966/150 [1] | | |
| | SRW | | | | | |
| | 720- 850 | | | 1 | K-15277-20-0-* | |
| | 851-1100 | | | 1 | K-15277-25-0-* | |
| | 1101-1350 | | | 1 | K-15277-30-0-* | |
| | 1351-1600 | | | 1 | K-15277-35-0-* | |
| 2 | 2 | 2 | 4 | Positioning plate | 20 | (acc. to profile) |
| 4 | 4 | 4 | 8 | Locking plate Se | 100 | (acc. to profile) |
| | | | | Locking plate | 100 | (acc. to profile) |
| | | SRW | SRH | | | |
| 1 | 1 | 1 | 2 | 720-1100 | 820-1370 | |
| 3 | 3 | 3 | 6 | | 1371-1870 | |
| 5 | 5 | 5 | 10 | | 1871-2370 | |
| 3 | 3 | 3 | 6 | 1101-1600 | 820-1370 | |
| 5 | 5 | 5 | 10 | | 1371-1870 | |
| 7 | 7 | 7 | 14 | | 1871-2370 | |

[1] * = Colour: 1 = EV 1, 4 = UC 3, 5 = UC 5, 7 = white
[2] * = 1 box for handle pos. lh, 1 box for handle pos. rh
Note: Sash weight max. 150 kg

DIRIGENT
lh 6-26058-**-L-
rh 6-26058-**-R-
Countersunk screw 9-13133-20
Threaded sleeve 9-30705-00-0-1

Handle coupler
Groove 9 mm 9-30111-00-0-1
Groove 13 mm 9-31015-00-0-1

Centre gear, vertical
Fillister head screw 9-13290-06

End cap 9-30142-00-0-*, Running rail P 1225

Cover rail P 1226

Stay arm cover 9-35573-00-0-*

Centre gear, horizontal

Stay arm glider 6-22755-00-0-0

Stay, front

Groove 9

lh 6-29641-00-L-1

rh 6-29641-00-R-1

Groove 13

lh 6-29653-00-L-1

rh 6-29653-00-R-1

Stay arm glider 6-22755-00-0-0

Stay, rear

Groove 9

lh 6-29642-00-L-1

rh 6-29642-00-R-1

Groove 13

lh 6-29654-00-L-1

rh 6-29654-00-R-1

Fitting requirements according to size of sashes for schemes A to K

| Qty. | Description | PU | Article No. | Handle pos. lh | Handle pos. rh | |
|------|-----------------------------------|-----------|--|--|----------------|-------------------|
| 1 | 1 | 2 | Box of runners G.U-966/150 | 1 | K-15276-00-L-0 | K-15276-00-R-0 |
| 1 | 1 | 2 | Box of stays G.U-mZ | | | |
| | Timber, PVC profiles – groove 9 | 1 | K-15089-00-L-1 | | K-15089-00-R-1 | |
| | PVC profiles – groove 13 | 1 | K-15245-00-L-1 | | K-15245-00-R-1 | |
| 1 | 1 | 2 | Box of geared handle G.U-mZ [1] | | | |
| | DIRIGENT with anti-lockout device | 1 | K-13971-02-L-* | | K-13971-02-R-* | |
| 2 | 2 | 4 | Centre gear, vertical | | | |
| | SRH | Forend ML | G | | | |
| | 820- 960 | 431 | 440 | 10 | 6-23886-01-0-1 | |
| | 961-1120 | 590 | 500 | 10 | 6-23886-02-0-1 | |
| | 1121-1370 | 840 | 500 | 10 | 6-23886-03-0-1 | |
| | 1371-1620 | 1090 | 1 | 600 | 6-23886-04-0-1 | |
| | 1621-1870 | 1340 | 1 | 600 | 6-23886-05-0-1 | |
| | 1621-1870 | 1340 | 1 | 980 | 6-23886-55-0-1 | |
| | 1871-2120 | 1590 | 2 | 980 | 6-23886-06-0-1 | |
| | 2121-2370 | 1840 | 2 | 980 | 6-23886-07-0-1 | |
| 2 | 2 | 2 | 4 | Centre gear, horizontal | | |
| | SRW | Forend ML | | | | |
| | 720-1100 | 480 | | 10 | 6-23830-01-0-1 | |
| | 1101-1350 | 730 | 1 | 10 | 6-23830-02-0-1 | |
| | 1351-1600 | 980 | 1 | 10 | 6-23830-03-0-1 | |
| 1 | 1 | 1 | 2 | Bag of profiles G.U-966/150 [1] | | |
| | SRW | | | | | |
| | 720- 850 | | | 1 | K-15277-20-0-* | |
| | 851-1100 | | | 1 | K-15277-25-0-* | |
| | 1101-1350 | | | 1 | K-15277-30-0-* | |
| | 1351-1600 | | | 1 | K-15277-35-0-* | |
| 2 | 2 | 2 | 4 | Positioning plate | 20 | (acc. to profile) |
| 4 | 4 | 4 | 8 | Locking plate Se | 100 | (acc. to profile) |
| | | | | Locking plate | 100 | (acc. to profile) |
| | | SRW | SRH | | | |
| 1 | 1 | 1 | 2 | 720-1100 | 820-1370 | |
| 3 | 3 | 3 | 6 | | 1371-1870 | |
| 5 | 5 | 5 | 10 | | 1871-2370 | |
| 3 | 3 | 3 | 6 | 1101-1600 | 820-1370 | |
| 5 | 5 | 5 | 10 | | 1371-1870 | |
| 7 | 7 | 7 | 14 | | 1871-2370 | |

[1] * = Colour: 1 = EV 1, 4 = UC 3, 5 = UC 5, 7 = white
[2] * = 1 box for handle pos. lh, 1 box for handle pos. rh
Note: Sash weight max. 150 kg

DIRIGENT
lh 6-26058-**-L-
rh 6-26058-**-R-
Countersunk screw 9-13133-20
Threaded sleeve 9-30705-00-0-1

Handle coupler
Groove 9 mm 9-30111-00-0-1
Groove 13 mm 9-31015-00-0-1

Centre gear, vertical
Fillister head screw 9-13290-06

End cap 9-38542-00-L-*

Runner, front

lh 6-32544-00-L-0

rh 6-32544-00-R-0

Running rail P 1300

Control part 6-29563-00-0-*

Spring-loaded buffer 6-29565-00-0-*

End cap 9-38542-00-R-*

Runner, rear

lh 6-29559-00-L-0

rh 6-29559-00-R-0

Corner transmission, front 6-29228-00-0-1

Positioning plate

Locking plate

Corner transmission, rear 6-29229-00-0-1

Stopping plate 9-29973-00-0-1

Parallel slide and tilt fittings G.U-966/150 mZ Se



Enhanced basic security – Timber and PVC, groove position 9 and 13 mm with lockable gear

End cap 9-30142-00-0-*, Running rail P 1225

Cover rail P 1226

Stay arm cover 9-35573-00-0-*

Centre gear, horizontal

Stay arm glider 6-22755-00-0-0
Stay, front
Groove 9
lh 6-29641-00-L-1
rh 6-29641-00-R-1
Groove 13
lh 6-29653-00-L-1
rh 6-29653-00-R-1

Stay arm glider 6-22755-00-0-0
Stay, rear
Groove 9
lh 6-29642-00-L-1
rh 6-29642-00-R-1
Groove 13
lh 6-29654-00-L-1
rh 6-29654-00-R-1

Fitting requirements according to size of sashes for schemes A to K

| Qty. | Description | PU | Article No. | Handle pos. lh | Handle pos. rh |
|------|-------------|----|--|----------------|-------------------------------|
| A | D | G | K [2] | | |
| 1 | 1 1 2* | | Box of runners G.U-966/150 | 1 | K-15276-00-L-0 K-15276-00-R-0 |
| 1 | 1 1 2* | | Box of stays G.U-mZ | | |
| | | | Timber, PVC profiles – groove 9 | 1 | K-15089-00-L-1 K-15089-00-R-1 |
| | | | PVC profiles – groove 13 | 1 | K-15245-00-L-1 K-15245-00-R-1 |
| 1 | 1 1 2 | | Handle inside G.U-mZ [1] | Timber | PVC |
| | | | DIRIGENT with cylinder bore | 1 | K-12918-00-0-* 6-24623-00-0-* |
| 1 | 1 1 2 | | Gear, lockable | Backset 30 | Backset 40 |
| | | | SRH Forend ML G | | |
| | | | 820- 960 431 440 | 10 | 6-23829-01-0-1 6-23827-01-0-1 |
| | | | 961-1120 590 500 | 10 | 6-23829-02-0-1 6-23827-02-0-1 |
| | | | 1121-1370 840 500 | 10 | 6-23829-03-0-1 6-23827-03-0-1 |
| | | | 1371-1620 1090 1 600 | 10 | 6-23829-04-0-1 6-23827-04-0-1 |
| | | | 1621-1870 1340 1 600 | 10 | 6-23829-05-0-1 6-23827-05-0-1 |
| | | | 1621-1870 1340 1 980 | 10 | 6-23829-55-0-1 6-23827-55-0-1 |
| | | | 1871-2120 1590 2 980 | 10 | 6-23829-06-0-1 6-23827-06-0-1 |
| | | | 2121-2370 1840 2 980 | 10 | 6-23829-07-0-1 6-23827-07-0-1 |
| 1 | 1 1 2 | | Centre gear, vertical | | |
| | | | SRH Forend ML G | | |
| | | | 820- 960 431 440 | 10 | 6-23886-01-0-1 |
| | | | 961-1120 590 500 | 10 | 6-23886-02-0-1 |
| | | | 1121-1370 840 500 | 10 | 6-23886-03-0-1 |
| | | | 1371-1620 1090 1 600 | 10 | 6-23886-04-0-1 |
| | | | 1621-1870 1340 1 600 | 10 | 6-23886-05-0-1 |
| | | | 1621-1870 1340 1 980 | 10 | 6-23886-55-0-1 |
| | | | 1871-2120 1590 2 980 | 10 | 6-23886-06-0-1 |
| | | | 2121-2370 1840 2 980 | 10 | 6-23886-07-0-1 |
| 2 | 2 2 4 | | Centre gear, horizontal | | |
| | | | SRW Forend ML | | |
| | | | 720-1100 480 | 10 | 6-23830-01-0-1 |
| | | | 1101-1350 730 1 | 10 | 6-23830-02-0-1 |
| | | | 1351-1600 980 1 | 10 | 6-23830-03-0-1 |
| 1 | 1 1 2 | | Bag of profiles G.U-966/150 [1] | | |
| | | | SRW | | |
| | | | 720- 850 | 1 | K-15277-20-0-* |
| | | | 851-1100 | 1 | K-15277-25-0-* |
| | | | 1101-1350 | 1 | K-15277-30-0-* |
| | | | 1351-1600 | 1 | K-15277-35-0-* |
| 2 | 2 2 4 | | Positioning plate | 20 | (acc. to profile) |
| 4 | 4 4 8 | | Locking plate Se | 100 | (acc. to profile) |
| | | | Locking plate | 100 | (acc. to profile) |
| | | | SRW SRH | | |
| | | | 720-1100 820-1370 | | |
| 1 | 1 1 2 | | | | |
| 3 | 3 3 6 | | | | |
| 5 | 5 5 10 | | | | |
| 3 | 3 3 6 | | 1101-1600 820-1370 | | |
| 5 | 5 5 10 | | | | |
| 7 | 7 7 14 | | | | |

[1] * = Colour: 1 = EV 1, 4 = UC 3, 5 = UC 5, 7 = white
[2] • = 1 box for handle pos. lh, 1 box for handle pos. rh
Note: Sash weight max. 150 kg

Handle inside – timber
Cover rosette outside
Countersunk screws

Handle inside – PVC
Positioning pins

Gear, lockable

End cap 9-38542-00-L-*
Runner, front
lh 6-32544-00-L-0
rh 6-32544-00-R-0

End cap rh 9-38542-00-R-*
Runner, rear
lh 6-29559-00-L-0
rh 6-29559-00-R-0

Rod 9-25476--0-1**
Support 9-38522-00-0-0

Guide 6-24764-00-0-0
Cover rail P 1607

Running rail P 1300

Control part 6-29563-00-0-*

Spring-loaded buffer 6-29565-00-0-*

Corner transmission, front 6-29228-00-0-1

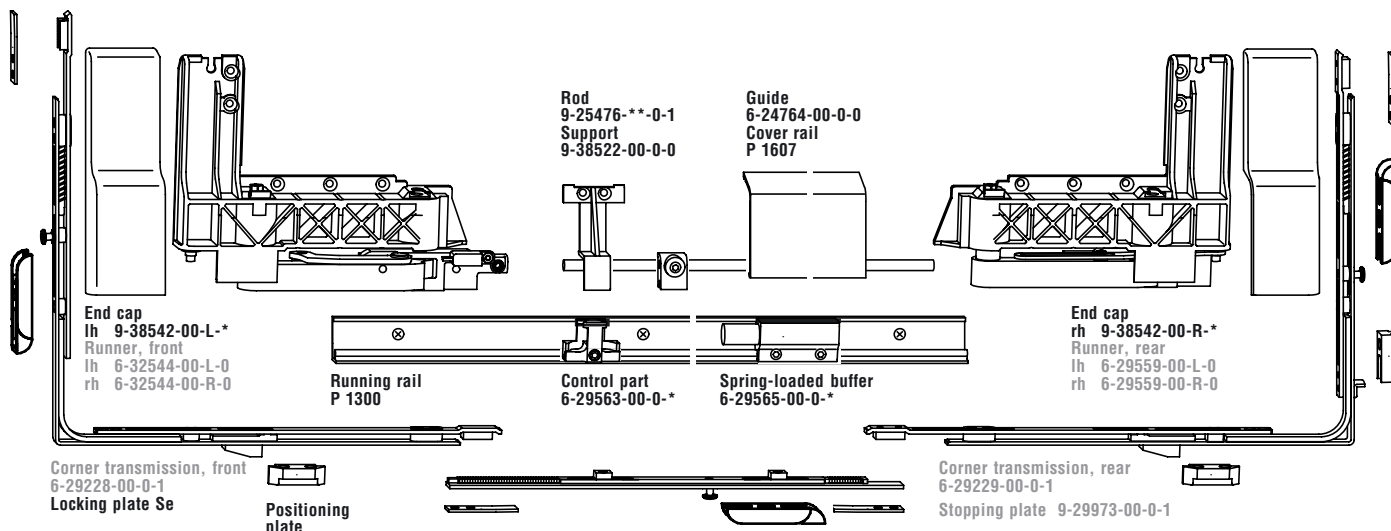
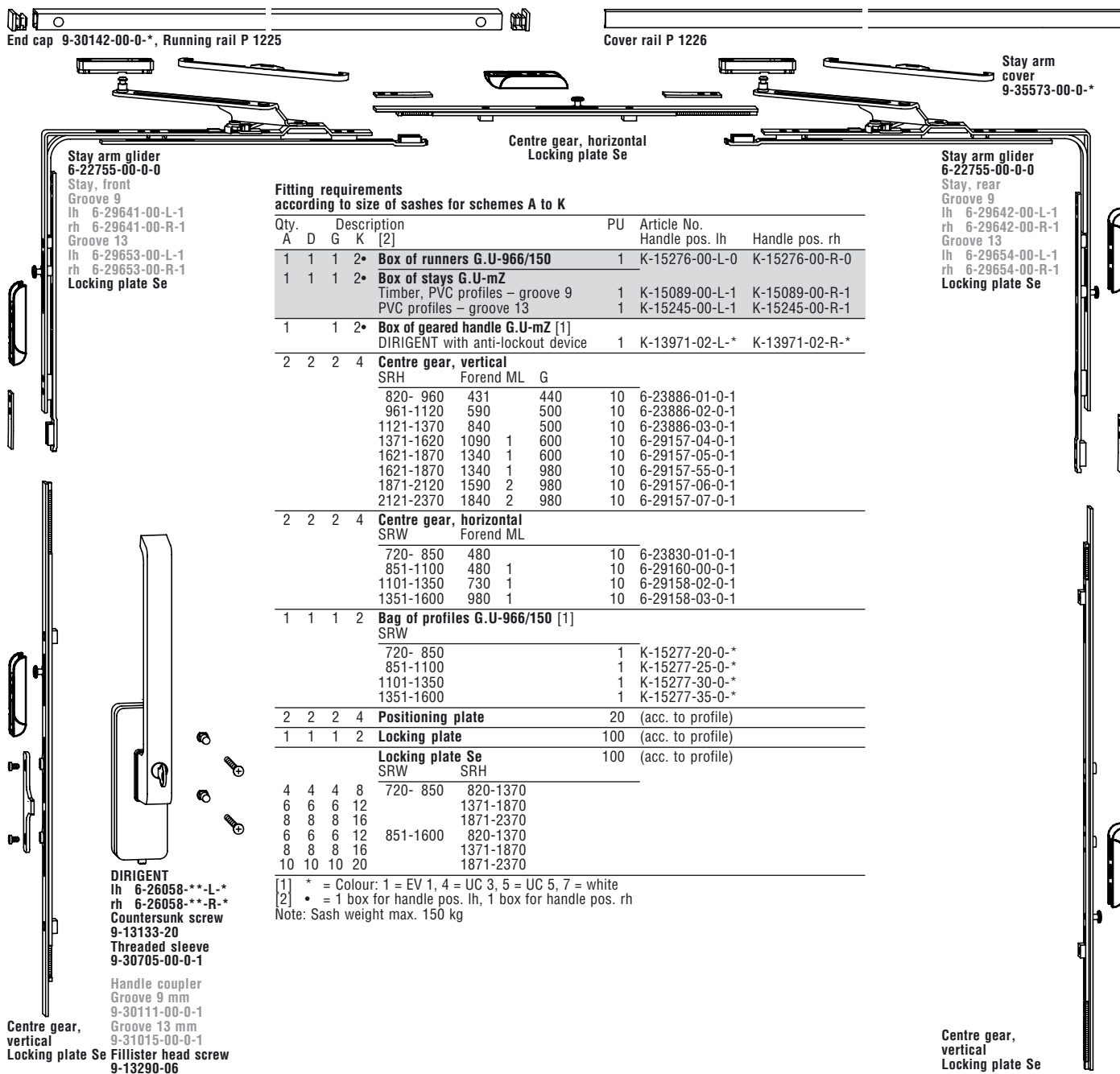
Corner transmission, rear 6-29229-00-0-1

Positioning plate

Locking plate

Stopping plate 9-29973-00-0-1

WK 2 – Timber and PVC, groove position 9 and 13 mm with geared handle



Parallel slide and tilt fittings G.U-966/150 mZ Se



WK 2 – Timber and PVC, groove position 9 and 13 mm with lockable gear

End cap 9-30142-00-0-*, **Running rail P** 1225

Cover rail P 1226

Stay arm cover 9-35573-00-0-*

Stay arm glider 6-22755-00-0-0
Stay, front
Groove 9
lh 6-29641-00-L-1
rh 6-29641-00-R-1
Groove 13
lh 6-29653-00-L-1
rh 6-29653-00-R-1
Locking plate Se

Centre gear, horizontal
Locking plate Se

Stay arm glider 6-22755-00-0-0
Stay, rear
Groove 9
lh 6-29642-00-L-1
rh 6-29642-00-R-1
Groove 13
lh 6-29654-00-L-1
rh 6-29654-00-R-1
Locking plate Se

Handle inside – timber
Cover rosette outside
Countersunk screws

Handle inside – PVC
Positioning pins

Gear, lockable

Centre gear, vertical
Locking plate Se

End cap lh 9-38542-00-L-*,
Runner, front
lh 6-32544-00-L-0
rh 6-32544-00-R-0

End cap rh 9-38542-00-R-*,
Runner, rear
lh 6-29559-00-L-0
rh 6-29559-00-R-0

Corner transmission, front 6-29228-00-0-1
Locking plate Se

Positioning plate

Corner transmission, rear 6-29229-00-0-1
Stopping plate 9-29973-00-0-1

Rod 9-25476-**-0-1
Support 9-38522-00-0-0

Guide 6-24764-00-0-0
Cover rail P 1607

Running rail P 1300

Control part 6-29563-00-0-*

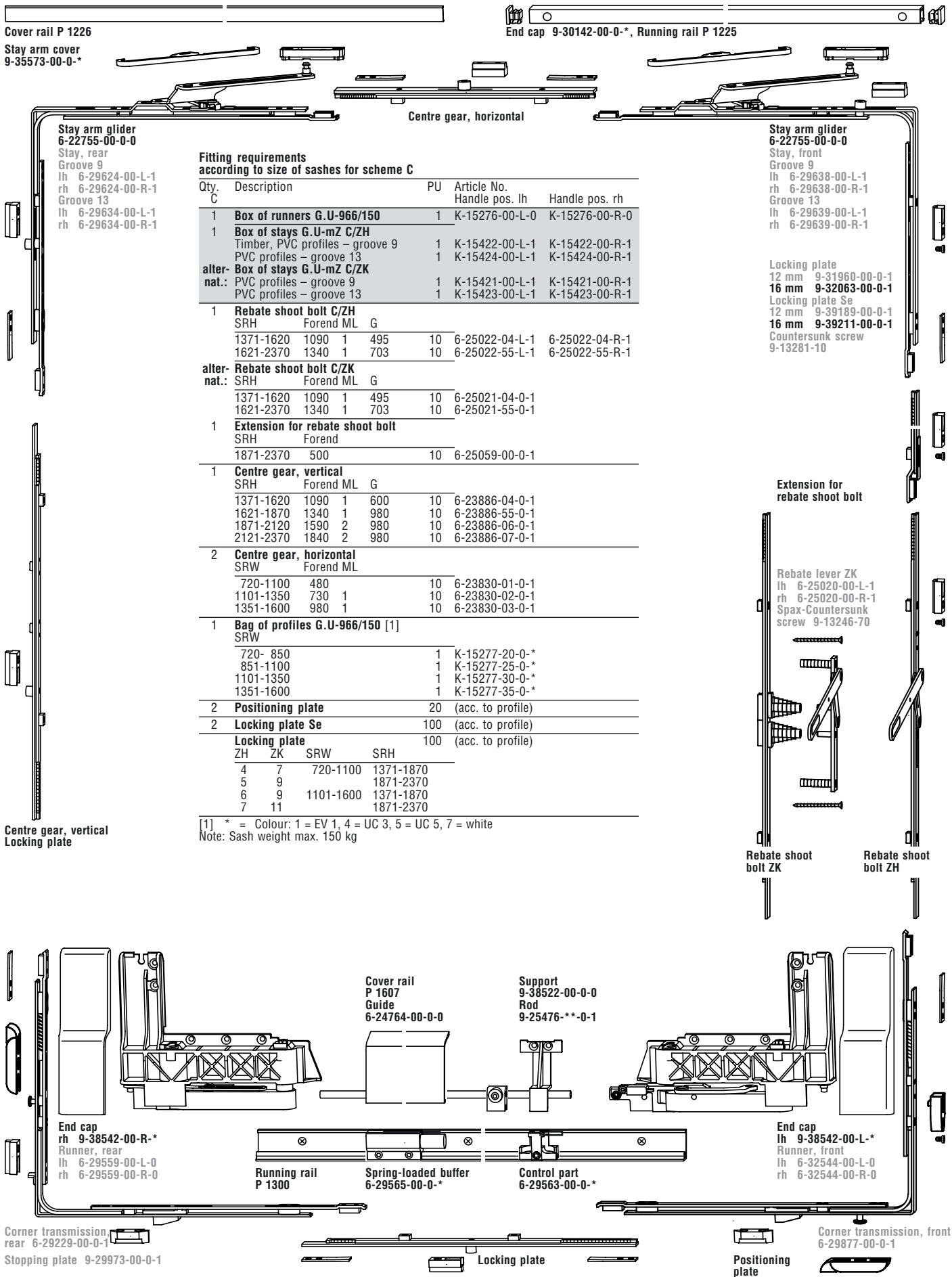
Spring-loaded buffer 6-29565-00-0-*

Fitting requirements according to size of sashes for schemes A to K

| Qty. | Description | PU | Article No. | Handle pos. lh | Handle pos. rh |
|--|---------------------------------|-------------------|--|----------------|----------------|
| A | D G K [2] | | | | |
| 1 | 1 1 2* | 1 | K-15276-00-L-0 | | K-15276-00-R-0 |
| Box of runners G.U-966/150 | | | | | |
| 1 | 1 1 2* | 1 | K-15089-00-L-1 | | K-15089-00-R-1 |
| Box of stays G.U-mZ | | | | | |
| | Timber, PVC profiles – groove 9 | 1 | K-15245-00-L-1 | | K-15245-00-R-1 |
| | PVC profiles – groove 13 | 1 | K-15245-00-L-1 | | K-15245-00-R-1 |
| 1 | 1 1 2 | 1 | Timber | | PVC |
| | DIRIGENT with cylinder bore | 1 | K-12918-00-0-* | | 6-24623-00-0-* |
| 1 | 1 1 2 | | Backset 30 | | Backset 40 |
| Gear, lockable | | | | | |
| | SRH Forend ML G | | | | |
| | 820- 960 431 440 | 10 | 6-23829-01-0-1 | | 6-23827-01-0-1 |
| | 961-1120 590 500 | 10 | 6-23829-02-0-1 | | 6-23827-02-0-1 |
| | 1121-1370 840 500 | 10 | 6-23829-03-0-1 | | 6-23827-03-0-1 |
| | 1371-1620 1090 1 600 | 10 | 6-29879-04-0-1 | | 6-29878-04-0-1 |
| | 1621-1870 1340 1 600 | 10 | 6-29879-05-0-1 | | 6-29878-05-0-1 |
| | 1621-1870 1340 1 980 | 10 | 6-29879-55-0-1 | | 6-29878-55-0-1 |
| | 1871-2120 1590 2 980 | 10 | 6-29879-06-0-1 | | 6-29878-06-0-1 |
| | 2121-2370 1840 2 980 | 10 | 6-29879-07-0-1 | | 6-29878-07-0-1 |
| 1 | 1 1 2 | | | | |
| Centre gear, vertical | | | | | |
| | SRH Forend ML G | | | | |
| | 820- 960 431 440 | 10 | 6-23886-01-0-1 | | |
| | 961-1120 590 500 | 10 | 6-23886-02-0-1 | | |
| | 1121-1370 840 500 | 10 | 6-23886-03-0-1 | | |
| | 1371-1620 1090 1 600 | 10 | 6-29157-04-0-1 | | |
| | 1621-1870 1340 1 600 | 10 | 6-29157-05-0-1 | | |
| | 1621-1870 1340 1 980 | 10 | 6-29157-55-0-1 | | |
| | 1871-2120 1590 2 980 | 10 | 6-29157-06-0-1 | | |
| | 2121-2370 1840 2 980 | 10 | 6-29157-07-0-1 | | |
| 2 | 2 2 4 | | | | |
| Centre gear, horizontal | | | | | |
| | SRW Forend ML | | | | |
| | 720- 850 480 | 10 | 6-23830-01-0-1 | | |
| | 851-1100 480 1 | 10 | 6-29160-00-0-1 | | |
| | 1101-1350 730 1 | 10 | 6-29158-02-0-1 | | |
| | 1351-1600 980 1 | 10 | 6-29158-03-0-1 | | |
| 1 | 1 1 2 | | | | |
| Bag of profiles G.U-966/150 [1] | | | | | |
| | SRW | | | | |
| | 720- 850 | 1 | K-15277-20-0-* | | |
| | 851-1100 | 1 | K-15277-25-0-* | | |
| | 1101-1350 | 1 | K-15277-30-0-* | | |
| | 1351-1600 | 1 | K-15277-35-0-* | | |
| 2 | 2 2 4 | 20 | Positioning plate (acc. to profile) | | |
| 1 | 1 1 2 | 100 | Locking plate (acc. to profile) | | |
| | Locking plate Se | 100 | Locking plate Se (acc. to profile) | | |
| | SRW SRH | | | | |
| 4 | 4 4 8 | 720- 850 820-1370 | | | |
| 6 | 6 6 12 | 1371-1870 | | | |
| 8 | 8 8 16 | 1871-2370 | | | |
| 6 | 6 6 12 | 851-1600 820-1370 | | | |
| 8 | 8 8 16 | 1371-1870 | | | |
| 10 | 10 10 20 | 1871-2370 | | | |

[1] * = Colour: 1 = EV 1, 4 = UC 3, 5 = UC 5, 7 = white
 [2] • = 1 box for handle pos. lh, 1 box for handle pos. rh
 Note: Sash weight max. 150 kg

Basic security – Timber and PVC, groove position 9 and 13 mm with rebate shoot bolt



Fitting requirements according to size of sashes for scheme C

| Qty. | Description | PU | Article No. | Handle pos. lh | Handle pos. rh |
|-------------|--|--------|-------------------|----------------|----------------------------------|
| 1 | Box of runners G.U-966/150 | 1 | K-15276-00-L-0 | | K-15276-00-R-0 |
| 1 | Box of stays G.U-mZ C/ZH | | | | |
| | Timber, PVC profiles – groove 9 | 1 | K-15422-00-L-1 | | K-15422-00-R-1 |
| | PVC profiles – groove 13 | 1 | K-15424-00-L-1 | | K-15424-00-R-1 |
| alter-nat.: | Box of stays G.U-mZ C/ZK | | | | |
| | PVC profiles – groove 9 | 1 | K-15421-00-L-1 | | K-15421-00-R-1 |
| | PVC profiles – groove 13 | 1 | K-15423-00-L-1 | | K-15423-00-R-1 |
| 1 | Rebate shoot bolt C/ZH | | | | |
| | SRH | Forend | ML | G | |
| | 1371-1620 | 1090 | 1 | 495 | 10 6-25022-04-L-1 6-25022-04-R-1 |
| | 1621-2370 | 1340 | 1 | 703 | 10 6-25022-55-L-1 6-25022-55-R-1 |
| alter-nat.: | Rebate shoot bolt C/ZK | | | | |
| | SRH | Forend | ML | G | |
| | 1371-1620 | 1090 | 1 | 495 | 10 6-25021-04-0-1 |
| | 1621-2370 | 1340 | 1 | 703 | 10 6-25021-55-0-1 |
| 1 | Extension for rebate shoot bolt | | | | |
| | SRH | Forend | | | |
| | 1871-2370 | 500 | | | 10 6-25059-00-0-1 |
| 1 | Centre gear, vertical | | | | |
| | SRH | Forend | ML | G | |
| | 1371-1620 | 1090 | 1 | 600 | 10 6-23886-04-0-1 |
| | 1621-1870 | 1340 | 1 | 980 | 10 6-23886-55-0-1 |
| | 1871-2120 | 1590 | 2 | 980 | 10 6-23886-06-0-1 |
| | 2121-2370 | 1840 | 2 | 980 | 10 6-23886-07-0-1 |
| 2 | Centre gear, horizontal | | | | |
| | SRW | Forend | ML | | |
| | 720-1100 | 480 | | | 10 6-23830-01-0-1 |
| | 1101-1350 | 730 | 1 | | 10 6-23830-02-0-1 |
| | 1351-1600 | 980 | 1 | | 10 6-23830-03-0-1 |
| 1 | Bag of profiles G.U-966/150 [1] | | | | |
| | SRW | | | | |
| | 720- 850 | | | | 1 K-15277-20-0-* |
| | 851-1100 | | | | 1 K-15277-25-0-* |
| | 1101-1350 | | | | 1 K-15277-30-0-* |
| | 1351-1600 | | | | 1 K-15277-35-0-* |
| 2 | Positioning plate | 20 | (acc. to profile) | | |
| 2 | Locking plate Se | 100 | (acc. to profile) | | |
| | Locking plate | 100 | (acc. to profile) | | |
| | ZH | ZK | SRW | SRH | |
| | 4 | 7 | 720-1100 | 1371-1870 | |
| | 5 | 9 | | 1871-2370 | |
| | 6 | 9 | 1101-1600 | 1371-1870 | |
| | 7 | 11 | | 1871-2370 | |

[1] * = Colour: 1 = EV 1, 4 = UC 3, 5 = UC 5, 7 = white
Note: Sash weight max. 150 kg

Basic security – Timber and PVC, groove position 9 and 13 mm with geared handle

End cap 9-30142-00-0-*, Running rail P 1225

Cover rail P 1226

Stay arm cover 9-35573-00-0-*

Stay arm glider 6-22755-00-0-0
Stay, front
Groove 9
lh 6-29613-00-L-1
rh 6-29613-00-R-1
Groove 13
lh 6-29632-00-L-1
rh 6-29632-00-R-1

Centre gear, horizontal

Stay arm glider 6-22755-00-0-0
Stay, rear
Groove 9
lh 6-29624-00-L-1
rh 6-29624-00-R-1
Groove 13
lh 6-29634-00-L-1
rh 6-29634-00-R-1

Fitting requirements according to size of sashes for scheme C

| Qty. | Description | PU | Article No. | Handle pos. lh | Handle pos. rh |
|------|--|-----------|-------------------|----------------|----------------|
| 1 | Box of runners G.U-966/150 | 1 | K-15276-00-L-0 | K-15276-00-R-0 | |
| 1 | Box of stays G.U-mZ | | | | |
| | Timber, PVC profiles – groove 9 | 1 | K-15205-00-L-1 | K-15205-00-R-1 | |
| | PVC profiles – groove 13 | 1 | K-15204-00-L-1 | K-15204-00-R-1 | |
| 1 | Box of geared handle G.U-mZ [1] | | | | |
| | DIRIGENT with anti-lockout device | 1 | K-12920-00-L-* | K-12920-00-R-* | |
| 1 | Centre gear, vertical | | | | |
| | SRH Forend ML G | | | | |
| | 1371-1620 1090 1 600 | 10 | 6-23886-04-0-1 | | |
| | 1621-2370 1340 1 980 | 10 | 6-23886-55-0-1 | | |
| 1 | Gear extension | | | | |
| | SRH Forend ML | | | | |
| | 1871-2370 500 1 | 10 | 6-24969-00-0-1 | | |
| 1 | Centre gear, vertical | | | | |
| | SRH Forend ML G | | | | |
| | 1371-1620 1090 1 600 | 10 | 6-23886-04-0-1 | | |
| | 1621-1870 1340 1 980 | 10 | 6-23886-55-0-1 | | |
| | 1871-2120 1590 2 980 | 10 | 6-23886-06-0-1 | | |
| | 2121-2370 1840 2 980 | 10 | 6-23886-07-0-1 | | |
| 2 | Centre gear, horizontal | | | | |
| | SRW Forend ML | | | | |
| | 720-1100 480 | 10 | 6-23830-01-0-1 | | |
| | 1101-1350 730 1 | 10 | 6-23830-02-0-1 | | |
| | 1351-1600 980 1 | 10 | 6-23830-03-0-1 | | |
| 1 | Bag of profiles G.U-966/150 [1] | | | | |
| | SRW | | | | |
| | 720- 850 | 1 | K-15277-20-0-* | | |
| | 851-1100 | 1 | K-15277-25-0-* | | |
| | 1101-1350 | 1 | K-15277-30-0-* | | |
| | 1351-1600 | 1 | K-15277-35-0-* | | |
| 2 | Positioning plate | 20 | (acc. to profile) | | |
| 1 | Locking plate Se | 100 | (acc. to profile) | | |
| | Locking plate | 100 | (acc. to profile) | | |
| | SRW SRH | | | | |
| 3 | 720-1100 | 1371-1870 | | | |
| 4 | 1871-2370 | | | | |
| 5 | 1101-1600 | 1371-1870 | | | |
| 6 | 1871-2370 | | | | |

[1] * = Colour: 1 = EV 1, 4 = UC 3, 5 = UC 5, 7 = white
Note: Sash weight max. 150 kg

Gear extension

Centre gear, vertical

DIRIGENT
lh 6-24542-00-L-
rh 6-24542-00-R-
Countersunk screw
9-13133-20
Threaded sleeve
9-30705-00-0-1

Handle coupler
Groove 9 mm
9-30111-00-0-1
Groove 13 mm
9-31015-00-0-1
Fillister head screw
9-13290-06

Centre gear, vertical
Locking plate

End cap 9-38542-00-L-*
Runner, front
lh 6-32544-00-L-0
rh 6-32544-00-R-0

End cap 9-38542-00-R-*
Runner, rear
lh 6-29559-00-L-0
rh 6-29559-00-R-0

Running rail P 1300

Control part 6-29563-00-0-*

Spring-loaded buffer 6-29565-00-0-*

Rod 9-25476--0-1**
Support 9-36522-00-0-0

Guide 6-24764-00-0-0
Cover rail P 1607

Corner transmission, front 6-29228-00-0-1

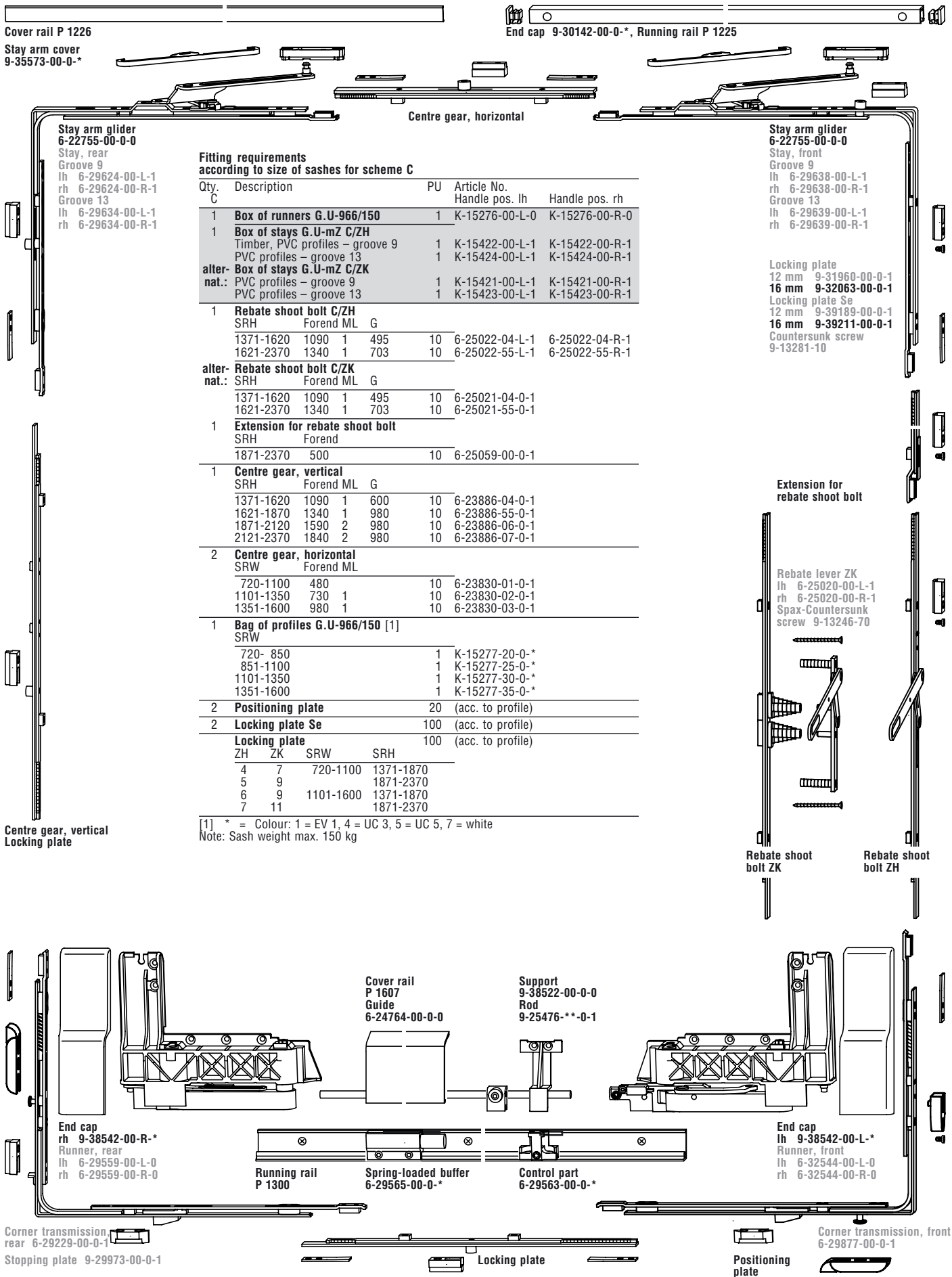
Corner transmission, rear 6-29229-00-0-1

Positioning plate

Locking plate

Stopping plate 9-29973-00-0-1

Basic security – Timber and PVC, groove position 9 and 13 mm with rebate shoot bolt

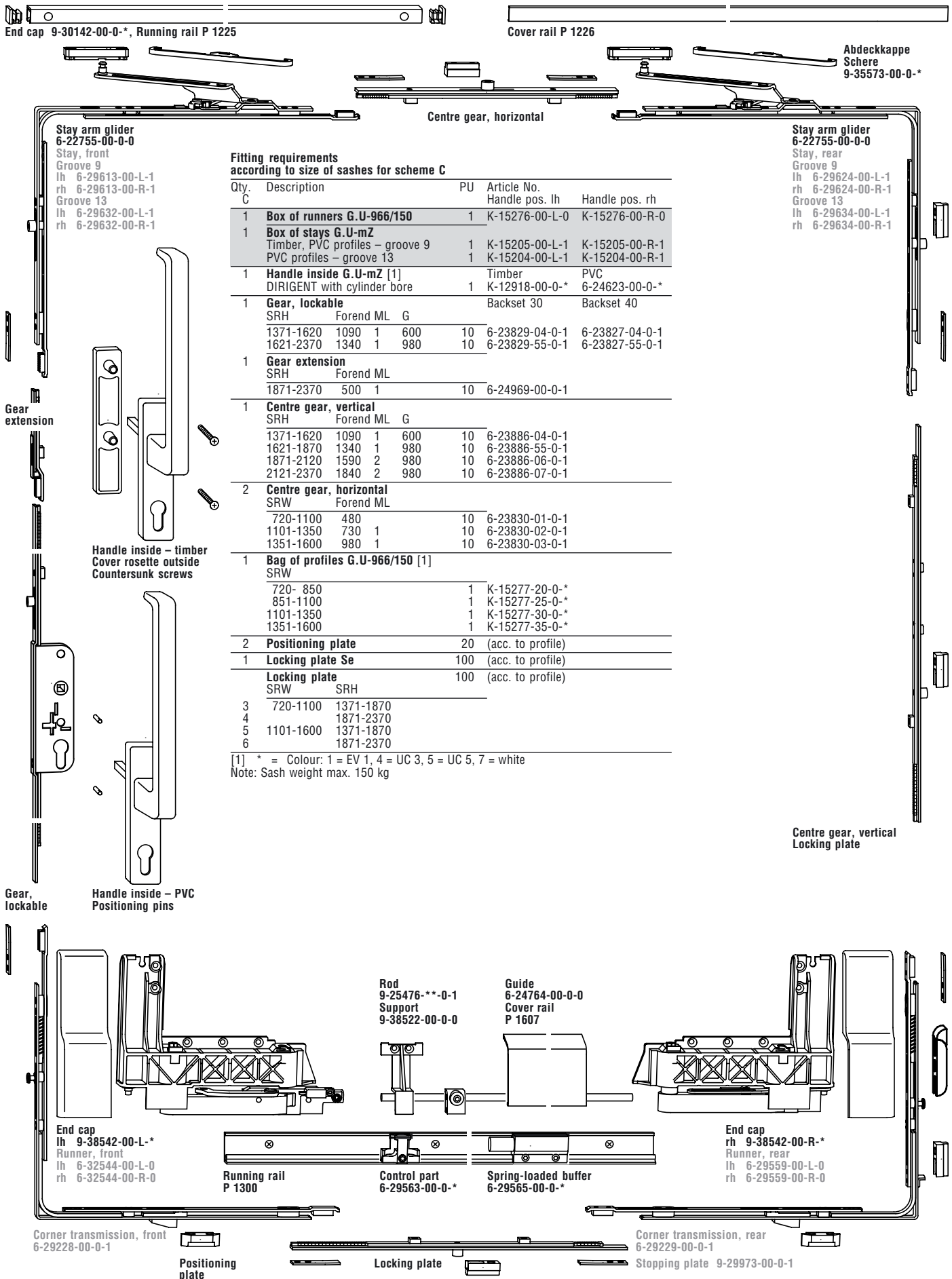


Fitting requirements according to size of sashes for scheme C

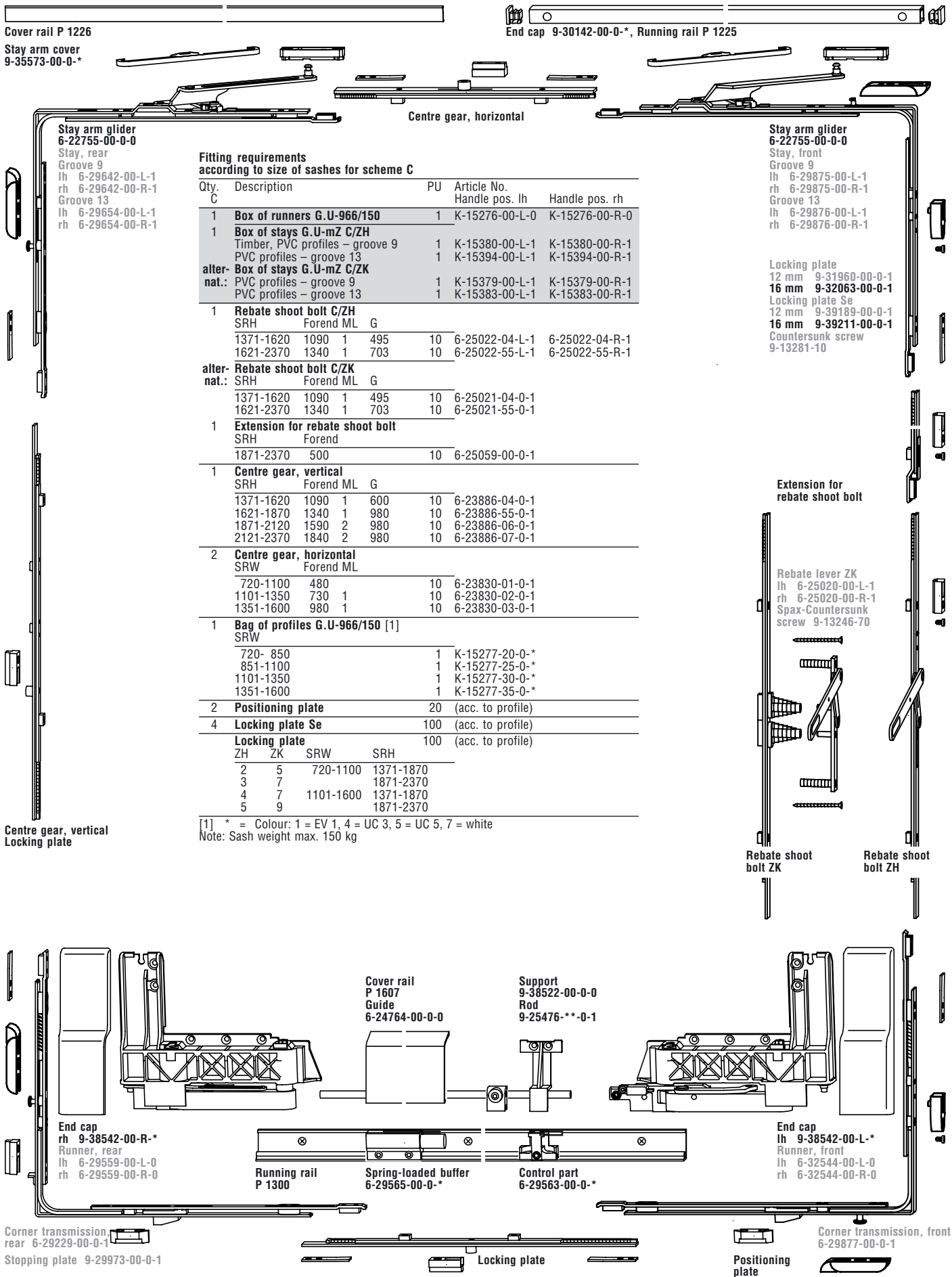
| Qty. | Description | PU | Article No. | Handle pos. lh | Handle pos. rh |
|-------------|--|--------|-------------------|----------------|----------------------------------|
| 1 | Box of runners G.U-966/150 | 1 | K-15276-00-L-0 | | K-15276-00-R-0 |
| 1 | Box of stays G.U-mZ C/ZH | | | | |
| | Timber, PVC profiles – groove 9 | 1 | K-15422-00-L-1 | | K-15422-00-R-1 |
| | PVC profiles – groove 13 | 1 | K-15424-00-L-1 | | K-15424-00-R-1 |
| alter-nat.: | Box of stays G.U-mZ C/ZK | | | | |
| | PVC profiles – groove 9 | 1 | K-15421-00-L-1 | | K-15421-00-R-1 |
| | PVC profiles – groove 13 | 1 | K-15423-00-L-1 | | K-15423-00-R-1 |
| 1 | Rebate shoot bolt C/ZH | | | | |
| | SRH | Forend | ML | G | |
| | 1371-1620 | 1090 | 1 | 495 | 10 6-25022-04-L-1 6-25022-04-R-1 |
| | 1621-2370 | 1340 | 1 | 703 | 10 6-25022-55-L-1 6-25022-55-R-1 |
| alter-nat.: | Rebate shoot bolt C/ZK | | | | |
| | SRH | Forend | ML | G | |
| | 1371-1620 | 1090 | 1 | 495 | 10 6-25021-04-0-1 |
| | 1621-2370 | 1340 | 1 | 703 | 10 6-25021-55-0-1 |
| 1 | Extension for rebate shoot bolt | | | | |
| | SRH | Forend | | | |
| | 1871-2370 | 500 | | | 10 6-25059-00-0-1 |
| 1 | Centre gear, vertical | | | | |
| | SRH | Forend | ML | G | |
| | 1371-1620 | 1090 | 1 | 600 | 10 6-23886-04-0-1 |
| | 1621-1870 | 1340 | 1 | 980 | 10 6-23886-55-0-1 |
| | 1871-2120 | 1590 | 2 | 980 | 10 6-23886-06-0-1 |
| | 2121-2370 | 1840 | 2 | 980 | 10 6-23886-07-0-1 |
| 2 | Centre gear, horizontal | | | | |
| | SRW | Forend | ML | | |
| | 720-1100 | 480 | | | 10 6-23830-01-0-1 |
| | 1101-1350 | 730 | 1 | | 10 6-23830-02-0-1 |
| | 1351-1600 | 980 | 1 | | 10 6-23830-03-0-1 |
| 1 | Bag of profiles G.U-966/150 [1] | | | | |
| | SRW | | | | |
| | 720- 850 | | | | 1 K-15277-20-0-* |
| | 851-1100 | | | | 1 K-15277-25-0-* |
| | 1101-1350 | | | | 1 K-15277-30-0-* |
| | 1351-1600 | | | | 1 K-15277-35-0-* |
| 2 | Positioning plate | 20 | (acc. to profile) | | |
| 2 | Locking plate Se | 100 | (acc. to profile) | | |
| | Locking plate | 100 | (acc. to profile) | | |
| | ZH | ZK | SRW | SRH | |
| | 4 | 7 | 720-1100 | 1371-1870 | |
| | 5 | 9 | | 1871-2370 | |
| | 6 | 9 | 1101-1600 | 1371-1870 | |
| | 7 | 11 | | 1871-2370 | |

[1] * = Colour: 1 = EV 1, 4 = UC 3, 5 = UC 5, 7 = white
Note: Sash weight max. 150 kg

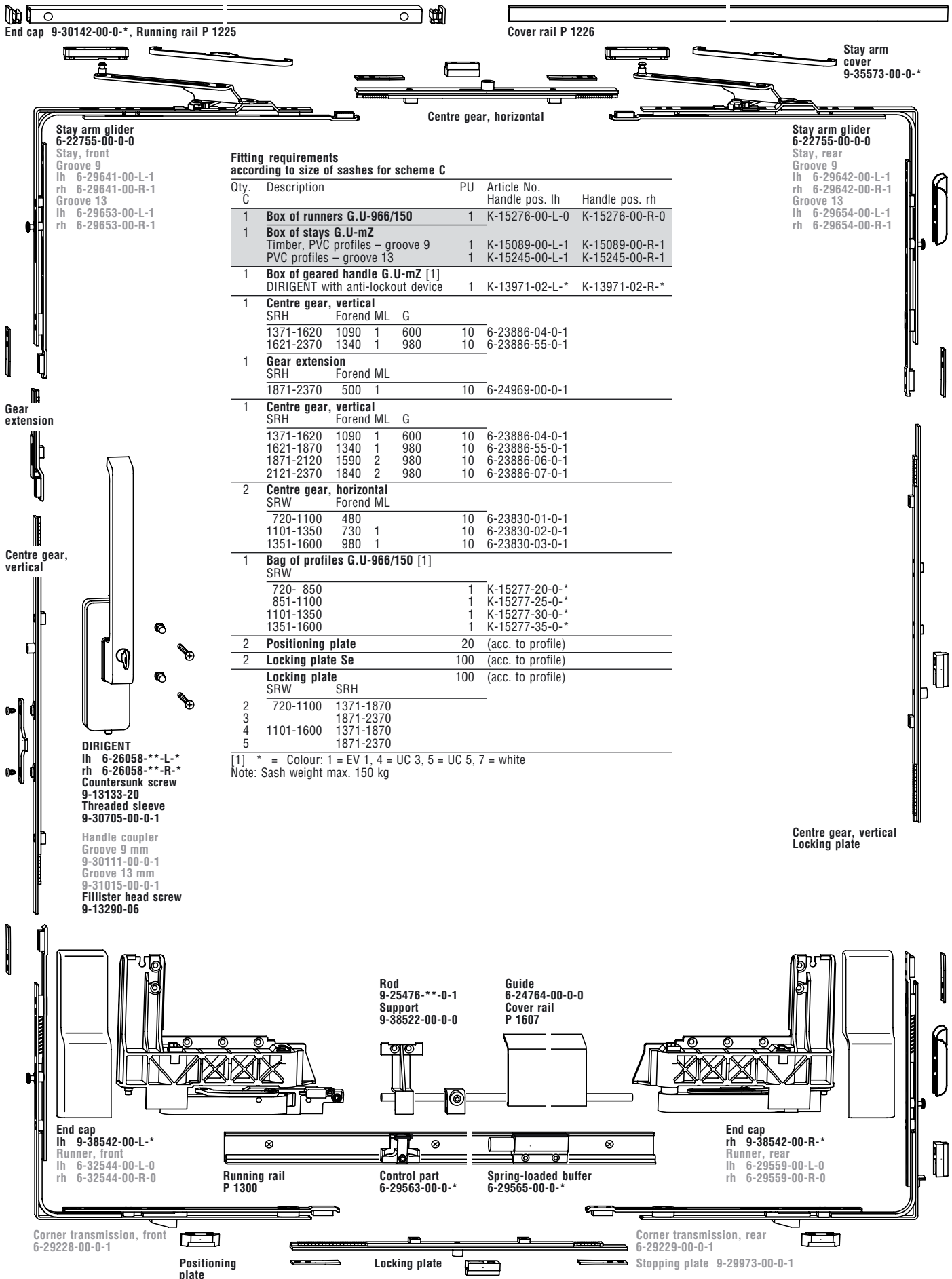
Basic security – Timber and PVC, groove position 9 and 13 mm with lockable gear



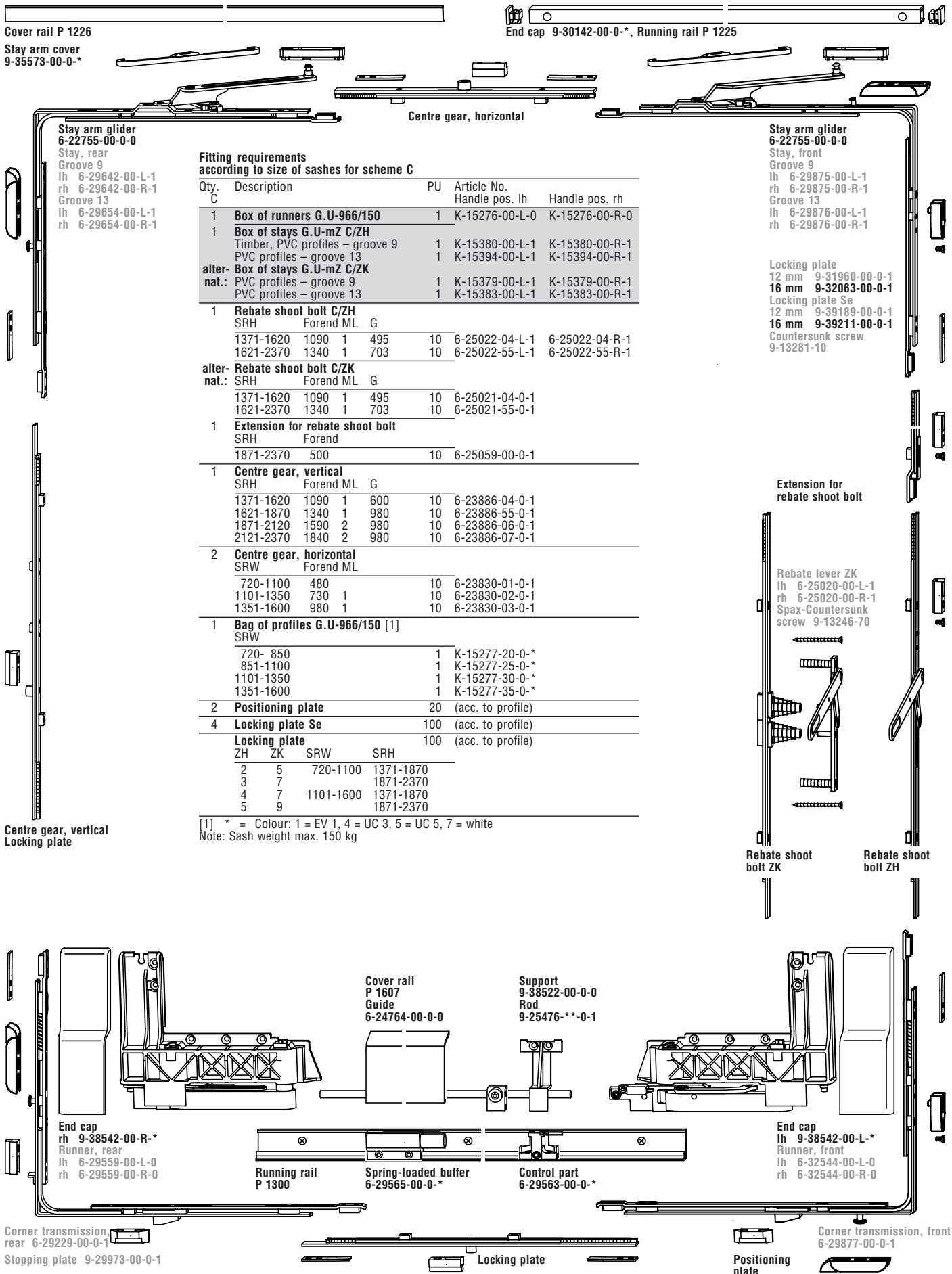
Enhanced basic security – Timber and PVC, groove position 9 and 13 mm with rebate shoot bolt



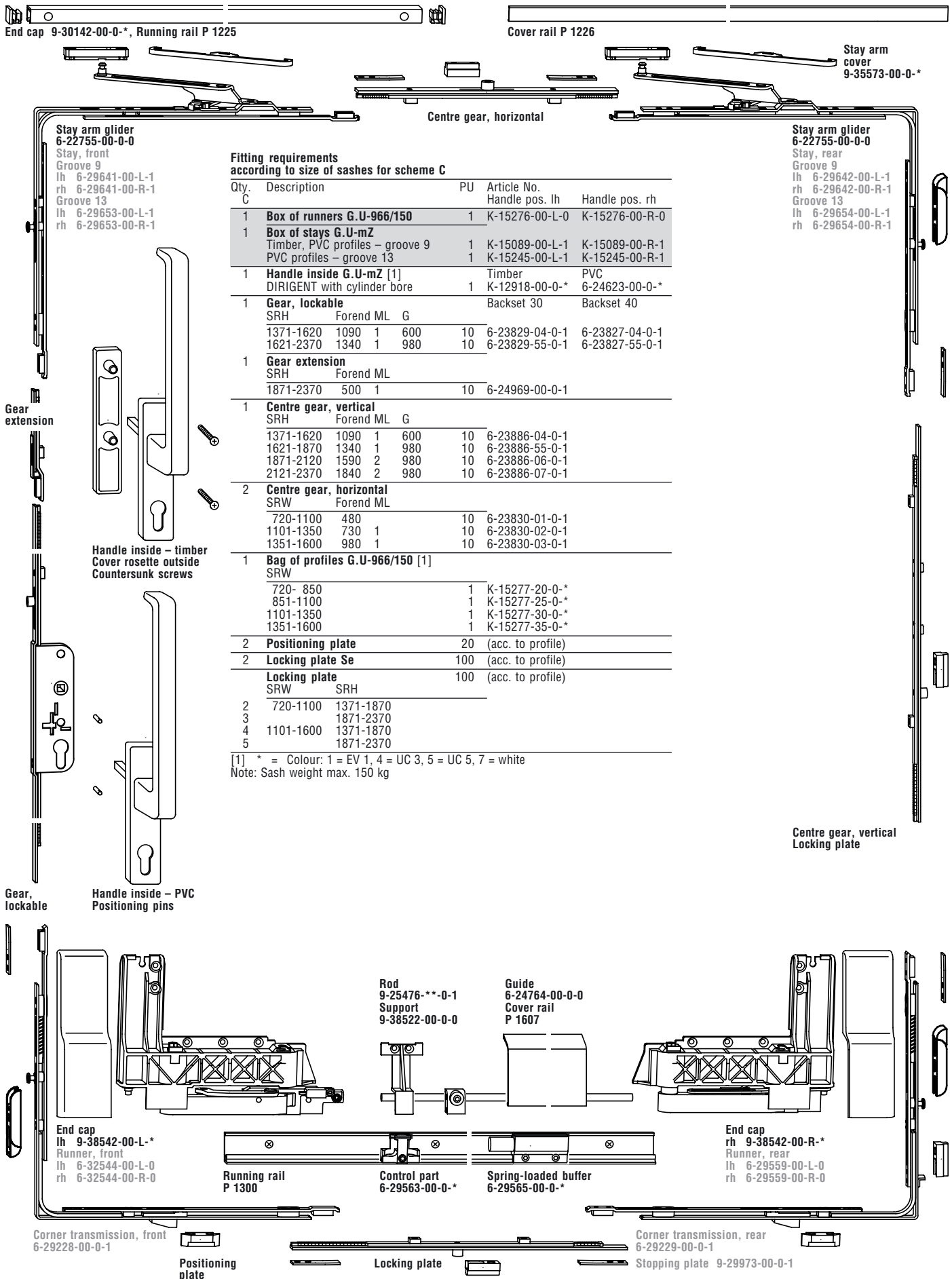
Enhanced basic security – Timber and PVC, groove position 9 and 13 mm with geared handle



Enhanced basic security – Timber and PVC, groove position 9 and 13 mm with rebate shoot bolt



Enhanced basic security – Timber and PVC, groove position 9 and 13 mm with lockable gear



WK 2 – Timber and PVC, groove position 9 and 13 mm with rebate shoot bolt

Cover rail P 1226
Stay arm cover 9-35573-00-0-*

End cap 9-30142-00-0-*, Running rail P 1225

Stay arm glider 6-22755-00-0-0
 Stay, rear
 Groove 9
 lh 6-29642-00-L-1
 rh 6-29642-00-R-1
 Groove 13
 lh 6-29654-00-L-1
 rh 6-29654-00-R-1

Centre gear, horizontal Locking plate Se

Stay arm glider 6-22755-00-0-0
 Stay, front
 Groove 9
 lh 6-29875-00-L-1
 rh 6-29875-00-R-1
 Groove 13
 lh 6-29876-00-L-1
 rh 6-29876-00-R-1

Locking plate Se
 12 mm 9-39189-00-0-1
 16 mm 9-39211-00-0-1
 Countersunk screw 9-13281-10

Extension for rebate shoot bolt

Rebate lever ZK
 lh 6-25020-00-L-1
 rh 6-25020-00-R-1
 Spax-Countersunk screw 9-13246-70

Rebate shoot bolt ZK

Rebate shoot bolt ZH

Centre gear, vertical Locking plate Se

Corner transmission, rear 6-29229-00-0-1
Stopping plate 9-29973-00-0-1

Corner transmission, front 6-29877-00-0-1
Positioning plate

Running rail P 1300
Spring-loaded buffer 6-29565-00-0-*
Control part 6-29563-00-0-*

Cover rail P 1607
Guide 6-24764-00-0-0

Support 9-38522-00-0-0
Rod 9-25476--0-1**

End cap rh 9-38542-00-R-*
Runner, rear
 lh 6-29559-00-L-0
 rh 6-29559-00-R-0

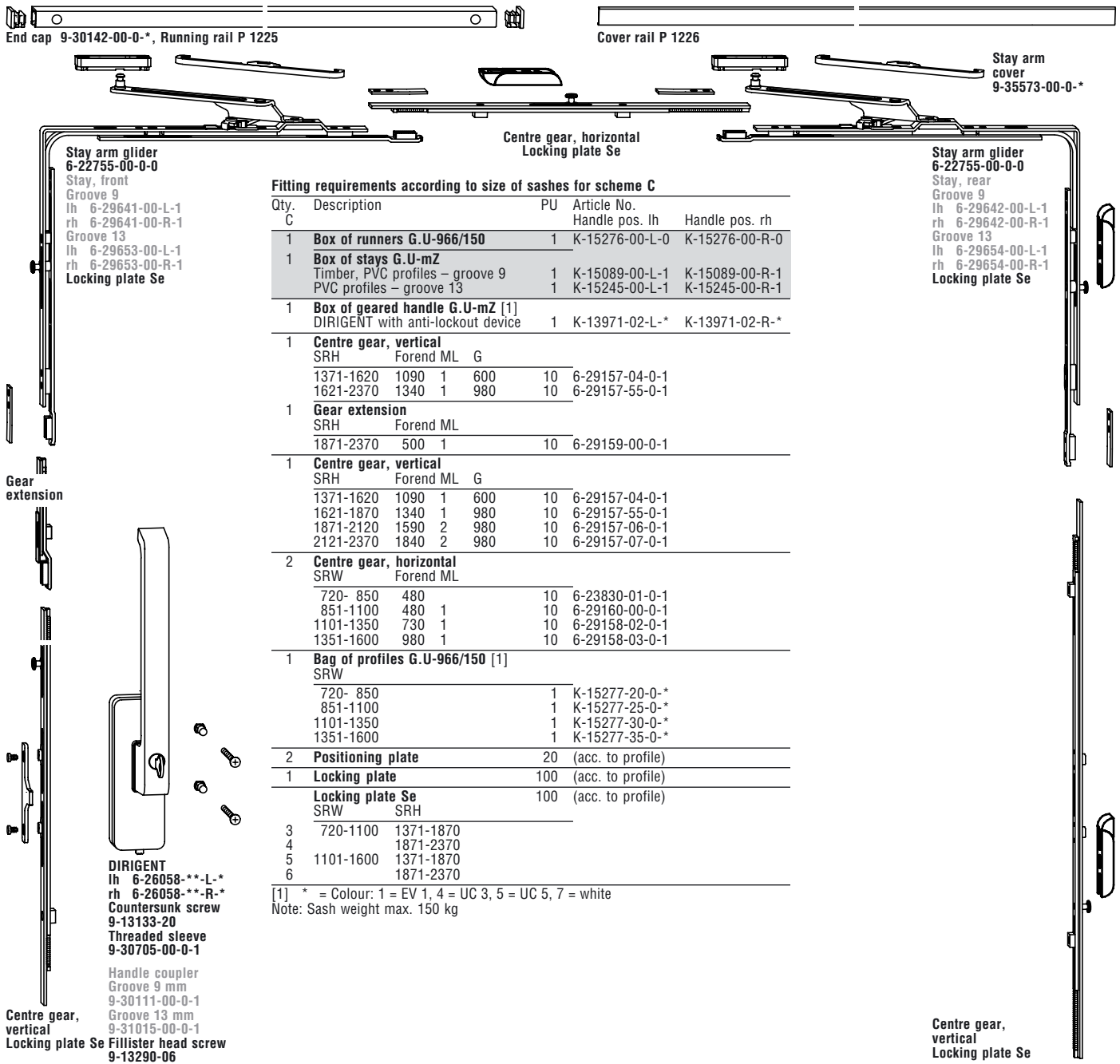
End cap lh 9-38542-00-L-*
Runner, front
 lh 6-32544-00-L-0
 rh 6-32544-00-R-0

Fitting requirements according to size of sashes for scheme C

| Qty. | Description | PU | Article No. | Handle pos. lh | Handle pos. rh |
|-------------|--|-----|-------------------|----------------|----------------|
| 1 | Box of runners G.U-966/150 | 1 | K-15276-00-L-0 | K-15276-00-R-0 | |
| 1 | Box of stays G.U-mZ C/ZH Timber, PVC profiles – groove 9 | 1 | K-15380-00-L-1 | K-15380-00-R-1 | |
| | PVC profiles – groove 13 | 1 | K-15394-00-L-1 | K-15394-00-R-1 | |
| alter-nat.: | Box of stays G.U-mZ C/ZK PVC profiles – groove 9 | 1 | K-15379-00-L-1 | K-15379-00-R-1 | |
| | PVC profiles – groove 13 | 1 | K-15383-00-L-1 | K-15383-00-R-1 | |
| 1 | Rebate shoot bolt C/ZH SRH Forend ML G | | | | |
| | 1371-1620 1090 1 495 | 10 | 6-25022-04-L-1 | 6-25022-04-R-1 | |
| | 1621-2370 1340 1 703 | 10 | 6-25022-55-L-1 | 6-25022-55-R-1 | |
| alter-nat.: | Rebate shoot bolt C/ZK SRH Forend ML G | | | | |
| | 1371-1620 1090 1 495 | 10 | 6-25021-04-0-1 | | |
| | 1621-2370 1340 1 703 | 10 | 6-25021-55-0-1 | | |
| 1 | Extension for rebate shoot bolt SRH Forend | | | | |
| | 1871-2370 500 | 10 | 6-25059-00-0-1 | | |
| 1 | Centre gear, vertical SRH Forend ML G | | | | |
| | 1371-1620 1090 1 600 | 10 | 6-29157-04-0-1 | | |
| | 1621-1870 1340 1 980 | 10 | 6-29157-55-0-1 | | |
| | 1871-2120 1590 2 980 | 10 | 6-29157-06-0-1 | | |
| | 2121-2370 1840 2 980 | 10 | 6-29157-07-0-1 | | |
| 2 | Centre gear, horizontal SRW Forend ML | | | | |
| | 720- 850 480 | 10 | 6-23830-01-0-1 | | |
| | 851-1100 480 1 | 10 | 6-29160-00-0-1 | | |
| | 1101-1350 730 1 | 10 | 6-29158-02-0-1 | | |
| | 1351-1600 980 1 | 10 | 6-29158-03-0-1 | | |
| 1 | Bag of profiles G.U-966/150 [1] SRW | | | | |
| | 720- 850 | 1 | K-15277-20-0-* | | |
| | 851-1100 | 1 | K-15277-25-0-* | | |
| | 1101-1350 | 1 | K-15277-30-0-* | | |
| | 1351-1600 | 1 | K-15277-35-0-* | | |
| 2 | Positioning plate | 20 | (acc. to profile) | | |
| 1 | Locking plate | 100 | (acc. to profile) | | |
| | Locking plate Se | 100 | (acc. to profile) | | |
| | ZH ZK SRW SRH | | | | |
| | 5 8 720-1100 1371-1870 | | | | |
| | 6 10 1871-2370 | | | | |
| | 7 10 1101-1600 1371-1870 | | | | |
| | 8 12 1871-2370 | | | | |

[1] * = Colour: 1 = EV 1, 4 = UC 3, 5 = UC 5, 7 = white
 Note: Sash weight max. 150 kg

WK 2 – Timber and PVC, groove position 9 and 13 mm with geared handle

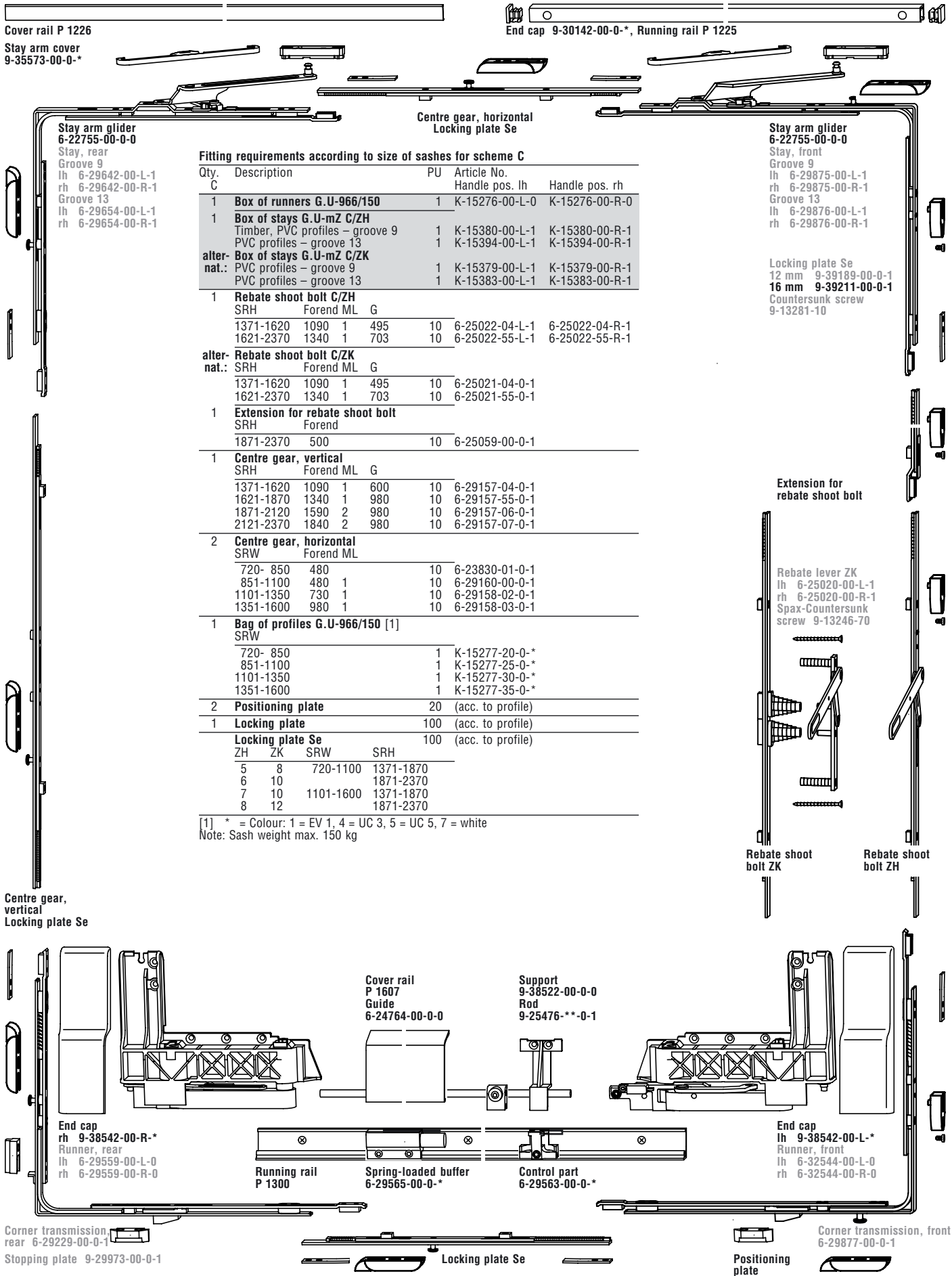


Fitting requirements according to size of sashes for scheme C

| Qty. | Description | PU | Article No. | |
|------|--|-----------|-------------------|----------------|
| C | | | Handle pos. lh | Handle pos. rh |
| 1 | Box of runners G.U-966/150 | 1 | K-15276-00-L-0 | K-15276-00-R-0 |
| 1 | Box of stays G.U-mZ | | | |
| | Timber, PVC profiles – groove 9 | 1 | K-15089-00-L-1 | K-15089-00-R-1 |
| | PVC profiles – groove 13 | 1 | K-15245-00-L-1 | K-15245-00-R-1 |
| 1 | Box of geared handle G.U-mZ [1] | | | |
| | DIRIGENT with anti-lockout device | 1 | K-13971-02-L-* | K-13971-02-R-* |
| 1 | Centre gear, vertical | | | |
| | SRH Forend ML G | | | |
| | 1371-1620 1090 1 600 | 10 | 6-29157-04-0-1 | |
| | 1621-2370 1340 1 980 | 10 | 6-29157-55-0-1 | |
| 1 | Gear extension | | | |
| | SRH Forend ML | | | |
| | 1871-2370 500 1 | 10 | 6-29159-00-0-1 | |
| 1 | Centre gear, vertical | | | |
| | SRH Forend ML G | | | |
| | 1371-1620 1090 1 600 | 10 | 6-29157-04-0-1 | |
| | 1621-1870 1340 1 980 | 10 | 6-29157-55-0-1 | |
| | 1871-2120 1590 2 980 | 10 | 6-29157-06-0-1 | |
| | 2121-2370 1840 2 980 | 10 | 6-29157-07-0-1 | |
| 2 | Centre gear, horizontal | | | |
| | SRW Forend ML | | | |
| | 720- 850 480 | 10 | 6-23830-01-0-1 | |
| | 851-1100 480 1 | 10 | 6-29160-00-0-1 | |
| | 1101-1350 730 1 | 10 | 6-29158-02-0-1 | |
| | 1351-1600 980 1 | 10 | 6-29158-03-0-1 | |
| 1 | Bag of profiles G.U-966/150 [1] | | | |
| | SRW | | | |
| | 720- 850 | 1 | K-15277-20-0-* | |
| | 851-1100 | 1 | K-15277-25-0-* | |
| | 1101-1350 | 1 | K-15277-30-0-* | |
| | 1351-1600 | 1 | K-15277-35-0-* | |
| 2 | Positioning plate | 20 | (acc. to profile) | |
| 1 | Locking plate | 100 | (acc. to profile) | |
| | Locking plate Se | 100 | (acc. to profile) | |
| | SRW SRH | | | |
| 3 | 720-1100 | 1371-1870 | | |
| 4 | | 1871-2370 | | |
| 5 | 1101-1600 | 1371-1870 | | |
| 6 | | 1871-2370 | | |

[1] * = Colour: 1 = EV 1, 4 = UC 3, 5 = UC 5, 7 = white
Note: Sash weight max. 150 kg

WK 2 – Timber and PVC, groove position 9 and 13 mm with rebate shoot bolt

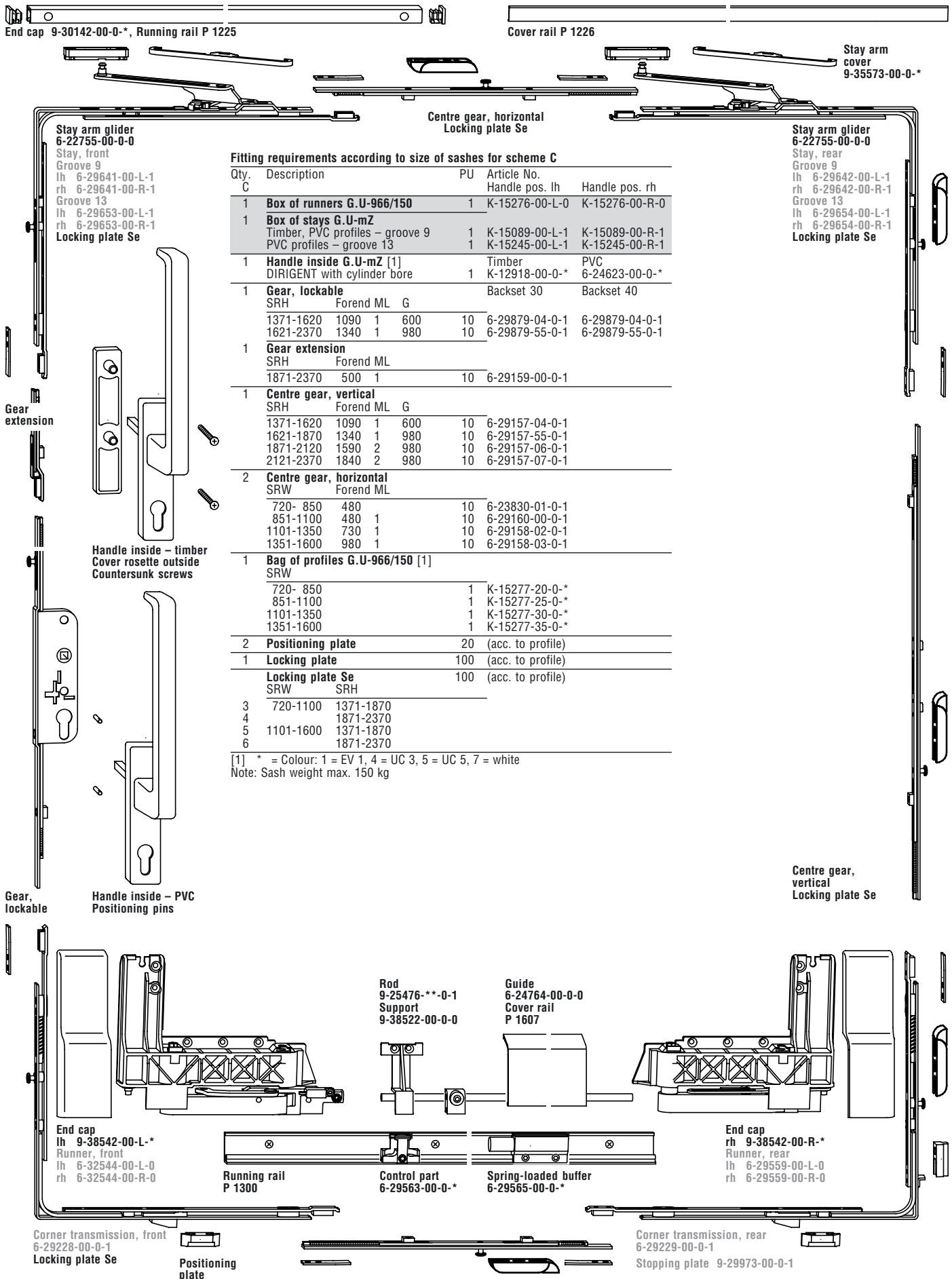


Fitting requirements according to size of sashes for scheme C

| Qty. | Description | PU | Article No. | Handle pos. lh | Handle pos. rh |
|-------------|--|-----|-------------------|----------------|----------------|
| C | | | | | |
| 1 | Box of runners G.U-966/150 | 1 | K-15276-00-L-0 | K-15276-00-R-0 | |
| 1 | Box of stays G.U-mZ C/ZH Timber, PVC profiles – groove 9 | 1 | K-15380-00-L-1 | K-15380-00-R-1 | |
| | PVC profiles – groove 13 | 1 | K-15394-00-L-1 | K-15394-00-R-1 | |
| alter-nat.: | Box of stays G.U-mZ C/ZK PVC profiles – groove 9 | 1 | K-15379-00-L-1 | K-15379-00-R-1 | |
| | PVC profiles – groove 13 | 1 | K-15383-00-L-1 | K-15383-00-R-1 | |
| 1 | Rebate shoot bolt C/ZH SRH Forend ML G | | | | |
| | 1371-1620 1090 1 495 | 10 | 6-25022-04-L-1 | 6-25022-04-R-1 | |
| | 1621-2370 1340 1 703 | 10 | 6-25022-55-L-1 | 6-25022-55-R-1 | |
| alter-nat.: | Rebate shoot bolt C/ZK SRH Forend ML G | | | | |
| | 1371-1620 1090 1 495 | 10 | 6-25021-04-0-1 | | |
| | 1621-2370 1340 1 703 | 10 | 6-25021-55-0-1 | | |
| 1 | Extension for rebate shoot bolt SRH Forend | | | | |
| | 1871-2370 500 | 10 | 6-25059-00-0-1 | | |
| 1 | Centre gear, vertical SRH Forend ML G | | | | |
| | 1371-1620 1090 1 600 | 10 | 6-29157-04-0-1 | | |
| | 1621-1870 1340 1 980 | 10 | 6-29157-55-0-1 | | |
| | 1871-2120 1590 2 980 | 10 | 6-29157-06-0-1 | | |
| | 2121-2370 1840 2 980 | 10 | 6-29157-07-0-1 | | |
| 2 | Centre gear, horizontal SRW Forend ML | | | | |
| | 720- 850 480 | 10 | 6-23830-01-0-1 | | |
| | 851-1100 480 1 | 10 | 6-29160-00-0-1 | | |
| | 1101-1350 730 1 | 10 | 6-29158-02-0-1 | | |
| | 1351-1600 980 1 | 10 | 6-29158-03-0-1 | | |
| 1 | Bag of profiles G.U-966/150 [1] SRW | | | | |
| | 720- 850 | 1 | K-15277-20-0-* | | |
| | 851-1100 | 1 | K-15277-25-0-* | | |
| | 1101-1350 | 1 | K-15277-30-0-* | | |
| | 1351-1600 | 1 | K-15277-35-0-* | | |
| 2 | Positioning plate | 20 | (acc. to profile) | | |
| 1 | Locking plate | 100 | (acc. to profile) | | |
| | Locking plate Se | 100 | (acc. to profile) | | |
| | ZH ZK SRW SRH | | | | |
| | 5 8 720-1100 1371-1870 | | | | |
| | 6 10 1871-2370 | | | | |
| | 7 10 1101-1600 1371-1870 | | | | |
| | 8 12 1871-2370 | | | | |

[1] * = Colour: 1 = EV 1, 4 = UC 3, 5 = UC 5, 7 = white
Note: Sash weight max. 150 kg

WK 2 – Timber and PVC, groove position 9 and 13 mm with lockable gear



Fitting requirements according to size of sashes for scheme C

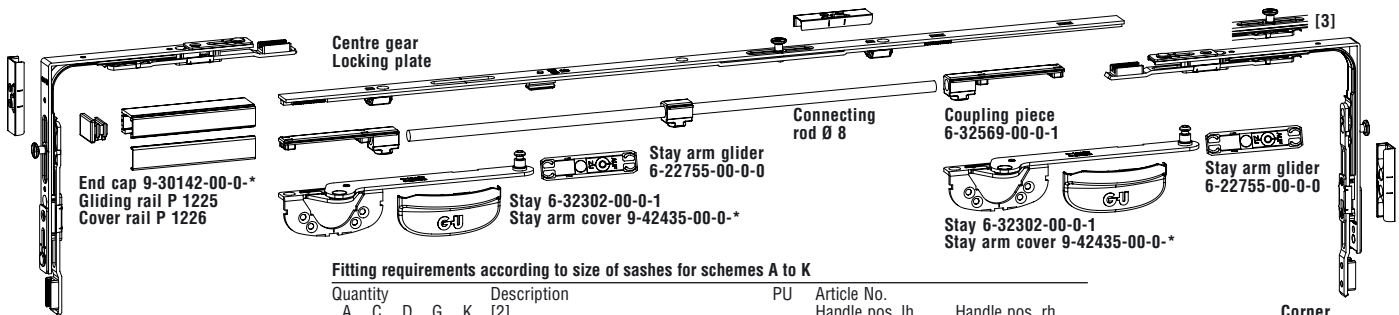
| Qty. | Description | PU | Article No. | Handle pos. lh | Handle pos. rh |
|------|--|-----------|-----------------------|--------------------|----------------|
| 1 | Box of runners G.U-966/150 | 1 | K-15276-00-L-0 | K-15276-00-R-0 | |
| 1 | Box of stays G.U-mZ | | | | |
| | Timber, PVC profiles – groove 9 | 1 | K-15089-00-L-1 | K-15089-00-R-1 | |
| | PVC profiles – groove 13 | 1 | K-15245-00-L-1 | K-15245-00-R-1 | |
| 1 | Handle inside G.U-mZ [1] | | | | |
| | DIRIGENT with cylinder bore | 1 | Timber K-12918-00-0-* | PVC 6-24623-00-0-* | |
| 1 | Gear, lockable | | | | |
| | SRH Forend ML G | | | Backset 30 | Backset 40 |
| | 1371-1620 1090 1 600 | 10 | 6-29879-04-0-1 | 6-29879-04-0-1 | |
| | 1621-2370 1340 1 980 | 10 | 6-29879-55-0-1 | 6-29879-55-0-1 | |
| 1 | Gear extension | | | | |
| | SRH Forend ML | | | | |
| | 1871-2370 500 1 | 10 | 6-29159-00-0-1 | | |
| 1 | Centre gear, vertical | | | | |
| | SRH Forend ML G | | | | |
| | 1371-1620 1090 1 600 | 10 | 6-29157-04-0-1 | | |
| | 1621-1870 1340 1 980 | 10 | 6-29157-55-0-1 | | |
| | 1871-2120 1590 2 980 | 10 | 6-29157-06-0-1 | | |
| | 2121-2370 1840 2 980 | 10 | 6-29157-07-0-1 | | |
| 2 | Centre gear, horizontal | | | | |
| | SRW Forend ML | | | | |
| | 720- 850 480 | 10 | 6-23830-01-0-1 | | |
| | 851-1100 480 1 | 10 | 6-29160-00-0-1 | | |
| | 1101-1350 730 1 | 10 | 6-29158-02-0-1 | | |
| | 1351-1600 980 1 | 10 | 6-29158-03-0-1 | | |
| 1 | Bag of profiles G.U-966/150 [1] | | | | |
| | SRW | | | | |
| | 720- 850 | 1 | K-15277-20-0-* | | |
| | 851-1100 | 1 | K-15277-25-0-* | | |
| | 1101-1350 | 1 | K-15277-30-0-* | | |
| | 1351-1600 | 1 | K-15277-35-0-* | | |
| 2 | Positioning plate | 20 | (acc. to profile) | | |
| 1 | Locking plate | 100 | (acc. to profile) | | |
| | Locking plate Se | 100 | (acc. to profile) | | |
| | SRW SRH | | | | |
| 3 | 720-1100 | 1371-1870 | | | |
| 4 | | 1871-2370 | | | |
| 5 | 1101-1600 | 1371-1870 | | | |
| 6 | | 1871-2370 | | | |

[1] * = Colour: 1 = EV 1, 4 = UC 3, 5 = UC 5, 7 = white
 Note: Sash weight max. 150 kg

Parallel slide and tilt fittings G.U-966/150 oZ – PVC



Handle inside – handle inside, lockable



Fitting requirements according to size of sashes for schemes A to K

| Quantity | Description | PU | Article No. | Handle pos. lh | Handle pos. rh |
|--------------------------------|---|----------------|---------------------------|-------------------|--------------------------------|
| A C D G K | [2] | | | | |
| 1 2* | Box of runners G.U-966/150 | 1 | K-15276-00-L-0 | | K-15276-00-R-0 |
| 1 2 1 1 2 | Box of stays G.U-oZ | 1 | K-16786-00-0-0 | | |
| 1 2 1 1 2 | Box of stay arm covers [1] | 1 | K-16821-00-0-* | | |
| 1 2 1 1 2 | Box of corner transmission, front/rear | 1 | K-16922-00-0-1 | | |
| Corner transmission [3] | | | | | |
| SRW ML | | | | | |
| 2 4 2 2 4 | 700-1350 | 1 | 1 | 6-32021-00-0-1 | |
| 1 2 1 1 2 | 1351-1600 | 1 | 1 | 6-32021-00-0-1 | |
| 1 2 1 1 2 | | 2 | 1 | 6-31753-00-0-1 | |
| 1 2 1 1 2 | Handle DIRIGENT-F [1] | 20 | 6-28072-**-0-* | | Necessary with Gear AP GK |
| 2 4 2 2 4 | Countersunk screw M 5 x 40 | 400 | 9-13255-40-0-1 | | |
| 1 2 1 1 2 | Rosette PZ inside [1] | 20 | | 6-25224-02-0-* | |
| 2 4 2 2 4 | Countersunk screw M 5 x 40 | 400 | | 9-13255-40-0-1 | |
| 1 2 1 1 2 | Gear | | | Gear 15 GK | Gear AP GK lockable [4] |
| | SRH Forend ML GV/G | | | | |
| | 700- 750 430 295-375 | 1 | G-22081-00-0-1 | | |
| | 751- 850 880 1 375-600 | 1 | G-22082-00-0-1 | | |
| | 851-1100 940 1 400 | 1 | G-22124-00-0-1 | | |
| | 1101-1350 1190 1 500 | 1 | G-22125-00-0-1 | | |
| | 1351-1600 1440 2 600 | 1 | G-22127-00-0-1 | | |
| | 1601-1850 1690 3 600 | 1 | G-22128-00-0-1 | | |
| | 1851-2100 1940 3 980 | 1 | G-22133-00-0-1 | G-22315-**-0-1 | |
| | 2101-2350 2190 4 980 | 1 | G-22134-00-0-1 | G-22316-**-0-1 | |
| 1 2 1 1 2 | Centre gear, vertical | | | | |
| | SRH Forend ML | | | | |
| | 700- 850 530 1 | 10 | 6-32494-30-0-1 | | |
| | 851-1100 780 1 | 10 | 6-32494-40-0-1 | | |
| | 1101-1350 1030 1 | 10 | 6-32494-50-0-1 | | |
| | 1351-1600 1280 2 | 10 | 6-32494-60-0-1 | | |
| | 1601-1850 1530 3 | 10 | 6-32494-70-0-1 | | |
| | 1851-2100 1780 3 | 10 | 6-32494-80-0-1 | | |
| | 2101-2350 2030 4 | 10 | 6-32494-90-0-1 | | |
| 1 2 1 1 2 | Centre gear, horizontal | | | top | bottom |
| | SRW Forend/ML Forend/ML | | | | |
| | 640- 850 530/1 415/- | 10 | 6-32494-30-0-1 | 6-26741-00-0-1 | |
| | 851-1100 780/1 530/1 | 10 | 6-32494-40-0-1 | 6-32494-30-0-1 | |
| | 1101-1350 1030/1 780/1 | 10 | 6-32494-50-0-1 | 6-32494-40-0-1 | |
| | 1351-1600 1280/2 1030/1 | 10 | 6-32494-60-0-1 | 6-32494-50-0-1 | |
| 1 2 1 1 2 | Bag of profiles G.U-966/150 [1] | | | | |
| | SRW | | | | |
| | 640- 850 | 1 | K-15277-20-0-* | | |
| | 851-1100 | 1 | K-15277-25-0-* | | |
| | 1101-1350 | 1 | K-15277-30-0-* | | |
| | 1351-1600 | 1 | K-15277-35-0-* | | |
| 1 | Stop pin for control part scheme D | 1 | 9-39897-00-0-0 | | |
| 1 2 1 1 2 | Bag of closing pressure control SRW 1201 | 1 | K-16784-00-0-0 | | |
| 1 2 1 1 2 | Connecting rod Ø 8 | | | | |
| | SRW Length | | | | |
| | 1201-1350 1100 | 1 | 9-25476-11-0-1 | | |
| | 1351-1600 1350 | 1 | 9-25476-14-0-1 | | |
| 2 4 2 2 4 | Positioning plate | 20 | (according to profile) | | |
| | Locking plate | 100 | (according to profile) | | |
| A C D G K | SRW SRH | A C D G K | SRW SRH | | |
| 7 14 7 7 14 | 640-1350 700- 750 | 9 18 9 9 18 | 1351-1600 700- 750 | | |
| 8 16 8 8 16 | 751-1350 | 10 20 10 10 20 | 751-1350 | | |
| 10 20 10 10 20 | 1351-1600 | 12 24 12 12 24 | 1351-1600 | | |
| 12 24 12 12 24 | 1601-2100 | 14 28 14 14 28 | 1601-2100 | | |
| 14 28 14 14 28 | 2101-2350 | 16 32 16 16 32 | 2101-2350 | | |

[1] * = Colour: 1 = EV 1, 4 = UC 3, 5 = UC 5, 7 = white [4] ** = Backset 25 up to 50 mm
 [2] • = 1 Box for handle pos. lh, 1 box for handle pos. rh
 [3] = from SRW 1351 corner transmission 6-31753-00-0-1 to be used with 2 ML
 Note: Max. sash weight 130 kg

Corner transmission Locking plate

Corner transmission Locking plate

Rosette PZ inside

Gear AP GK

DIRIGENT-F

Gear 15 GK Locking plate

Stay arm cover 9-38542-00-L/R-*

Cover 9-38542-00-L/R-*

Centre gear Locking plate

Corner transmission, front 6-32918-00-0-1

Corner transmission, rear 6-32919-00-0-1

Runner, front 6-32544-00-L/R-0

Runner, rear 6-29559-00-L/R-0

Cover rail P 1607

Support 9-38522-00-0-0

Running rail P 1300 Control part 6-29563-00-0-*

Guide 6-24764-00-0-0

Spring-loaded buffer 6-29565-00-0-*

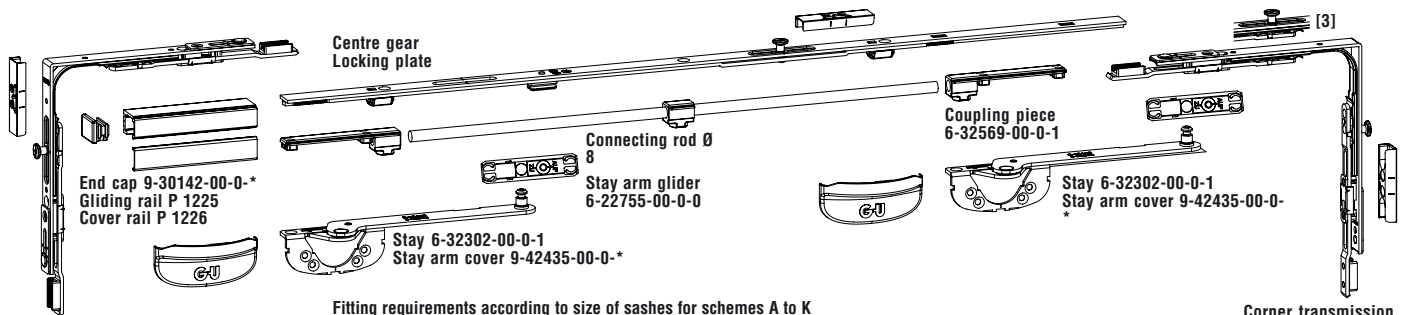
Connecting rod Ø 8

Centre gear Locking plate

Positioning plate

Locking plate

Handle inside – handle inside, lockable



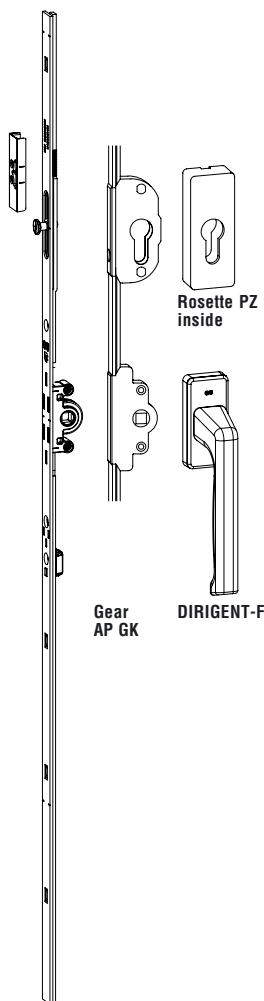
Corner transmission Locking plate

Corner transmission Locking plate

Fitting requirements according to size of sashes for schemes A to K

| Quantity | Description | PU | Article No. | Handle pos. lh | Handle pos. rh |
|--------------------------------|--|------|----------------|----------------|---------------------------|
| 1 | 2* Box of runners G.U-90 oZ | 1 | K-16656-00-L-0 | | K-16656-00-R-0 |
| 1 | 2 Box of stays G.U-oZ | 1 | K-16786-00-0-0 | | |
| 1 | 2 Box of stay arm covers [1] | 1 | K-16821-00-0-* | | |
| Corner transmission [3] | | | | | |
| SRW ML | | | | | |
| 4 | 8 4 4 8 700-1350 | 1 | 6-32021-00-0-1 | | |
| 2 | 4 2 2 4 1351-1600 | 1 | 6-32021-00-0-1 | | |
| 2 | 4 2 2 4 | 2 | 6-31753-00-0-1 | | |
| 1 | 2 1 1 2 Handle DIRIGENT-F [1] | 20 | 6-28072-**-0-* | | Necessary with gear AP GK |
| 2 | 4 2 2 4 Countersunk screw M 5 x 40 | 400 | 9-13255-40-0-1 | | |
| 1 | 2 1 1 2 Rosette PZ inside [1] | 20 | 6-25224-02-0-* | | |
| 2 | 4 2 2 4 Countersunk screw M 5 x 40 | 400 | 9-13255-40-0-1 | | |
| Gear | | | | | |
| SRH Forend ML GV/G | | | | | |
| 1 | 2 1 1 2 Gear 15 GK | | | | Gear AP GK lockable [4] |
| | 700- 750 | 430 | 295-375 | 1 | G-22081-00-0-1 |
| | 751- 850 | 880 | 375-600 | 1 | G-22082-00-0-1 |
| | 851-1100 | 940 | 400 | 1 | G-22124-00-0-1 |
| | 1101-1350 | 1190 | 500 | 1 | G-22125-00-0-1 |
| | 1351-1600 | 1440 | 600 | 1 | G-22127-00-0-1 |
| | 1601-1850 | 1690 | 600 | 1 | G-22128-00-0-1 |
| | 1851-2100 | 1940 | 980 | 1 | G-22133-00-0-1 |
| | 2101-2350 | 2190 | 980 | 1 | G-22134-00-0-1 |
| 1 | 2 1 1 2 Centre gear, vertical SRH | | | | |
| | 700- 850 | 530 | 1 | 10 | 6-32494-30-0-1 |
| | 851-1100 | 780 | 1 | 10 | 6-32494-40-0-1 |
| | 1101-1350 | 1030 | 1 | 10 | 6-32494-50-0-1 |
| | 1351-1600 | 1280 | 2 | 10 | 6-32494-60-0-1 |
| | 1601-1850 | 1530 | 3 | 10 | 6-32494-70-0-1 |
| | 1851-2100 | 1780 | 3 | 10 | 6-32494-80-0-1 |
| | 2101-2350 | 2030 | 4 | 10 | 6-32494-90-0-1 |
| 2 | 4 2 2 4 Centre gear, horizontal SRW | | | | |
| | 700- 850 | 530 | 1 | 10 | 6-32494-30-0-1 |
| | 851-1100 | 780 | 1 | 10 | 6-32494-40-0-1 |
| | 1101-1350 | 1030 | 1 | 10 | 6-32494-50-0-1 |
| | 1351-1600 | 1280 | 2 | 10 | 6-32494-60-0-1 |
| 1 | 2 1 1 2 Bag of profiles G.U-90 oZ [1] SRW | | | | |
| | 700- 850 | | 1 | K-16589-20-0-* | |
| | 851-1100 | | 1 | K-16589-25-0-* | |
| | 1101-1350 | | 1 | K-16589-30-0-* | |
| | 1351-1600 | | 1 | K-16589-35-0-* | |
| 1 | Stop pin for control part scheme D | 1 | 9-39897-00-0-0 | | |
| 1 | 2 1 1 2 Bag of closing pressure control SRW 1201 | 1 | K-16784-00-0-0 | | |
| 1 | 2 1 1 2 Connecting rod Ø 8 SRW | | | | |
| | 1201-1350 | 1100 | 1 | 9-25476-11-0-1 | |
| | 1351-1600 | 1350 | 1 | 9-25476-14-0-1 | |
| Locking plate | | | | | |
| 100 (according to profile) | | | | | |
| A | C | D | G | K | SRW |
| 8 | 16 | 8 | 8 | 16 | 700-1350 |
| 9 | 18 | 9 | 9 | 18 | 751-1350 |
| 11 | 22 | 11 | 11 | 22 | 1351-1600 |
| 13 | 26 | 13 | 13 | 26 | 1601-2100 |
| 15 | 30 | 15 | 15 | 30 | 2101-2350 |
| | | | | | SRH |
| | | | | | 1351-1600 |
| | | | | | 751-1350 |
| | | | | | 1351-1600 |
| | | | | | 1601-2100 |
| | | | | | 2101-2350 |

[1] * = Colour: 1 = EV 1, 4 = UC 3, 5 = UC 5, 7 = white [4] ** = Backset 25 up to 50 mm
 [2] • = 1 Box of Handle pos. lh, 1 box of Handle pos. rh
 [3] = from SRW 1351 corner transmission 6-31753-00-0-1 to be used with 2 ML
 Note: Max. sash weight 90 kg

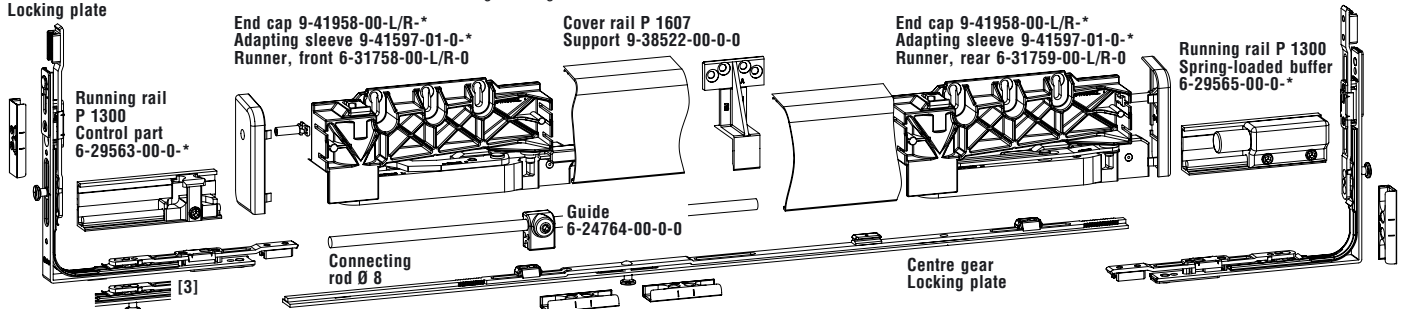


Gear 15 GK Locking plate

Centre gear Locking plate

Corner transmission Locking plate

Corner transmission Locking plate



G.U-966/200 mZ, G.U-966/150 mZ – PVC Groove position 9 and 13 mm

| Application | Description | PU | Article No. |
|---|--|----|----------------|
| | PVC windows and patio doors | | |
| Assembly of handles | Drilling jig for geared handle | 1 | 6-25746-12-0-0 |
| | Drilling jig for handle inside and handle both sides | 1 | 6-25745-00-0-1 |
| | Stop for drilling jigs 6-25746-12 and 6-25745 | 1 | 9-27406-00-0-1 |
| Assembly of runners, stays, gliding and running rail | Drilling jig for runners and support | 1 | 9-30424-00-0-0 |
| | Drilling jig for stop pin (control part scheme D) | 1 | 6-30447-00-0-0 |
| | Drilling jig for gliding and running rail | 1 | 6-23616-00-0-1 |
| | Positioning jig for gliding rail | 1 | 6-23246-00-0-0 |
| | Positioning jig for running rail | 1 | 6-23241-00-0-0 |
| | Milling jig for stay and handle cut | 1 | 6-24429-00-0-0 |
| | Cutter with copying ring | 1 | 6-24430-00-0-0 |
| Assembly of positioning and locking plates | Drilling jig for positioning and locking plates | 1 | 6-24230-01-0-0 |
| | Positioning plates and corner angle locking plates | 1 | 6-24230-02-0-0 |
| | Locking plates: SRW 1101-1850, SRH 1371-1870 | 1 | 6-24230-03-0-0 |
| Profile system Eurodur 3 S | Positioning jig for positioning and locking plates | 1 | 9-30690-01-0-0 |
| | Positioning plates and corner angle locking plates | 1 | 9-30690-02-0-0 |
| | Locking plates: SRW 1101-1850, SRH 1371-1870 | 1 | 9-30690-03-0-0 |
| Profile system Combidur AV | Drilling jig for positioning and locking plates | 1 | 6-24216-01-0-0 |
| | Positioning plates and corner angle locking plates | 1 | 6-24216-02-0-0 |
| | Locking plates: SRH 1871-2370 | 1 | 6-24216-03-0-0 |
| Profile system Helmitin | Drilling jig for positioning and locking plates | 1 | 6-24228-01-0-0 |
| | Positioning plates and corner angle locking plates | 1 | 6-24228-02-0-0 |
| | Locking plates: SRH 1871-2370 | 1 | 6-24228-03-0-0 |
| Assembly of positioning and locking plates Se Basic security Enhanced basic security WK 2 | Positioning jig for positioning and locking plates Se / gears and centre gears | | |
| | Groove position 9 and 13 mm | | |
| | Positioning plates | 1 | 6-29945-01-0-0 |
| | Locking plates Se: SRH 820-1870 | 1 | 6-29945-03-0-0 |
| | Locking plates Se: SRH 1871-2370 | 1 | 6-29945-04-0-0 |
| Assembly of locking plates Se Basic security, enhanced basic security | Positioning jig for locking plates Se / stay and corner transmission | 1 | 6-30272-00-0-0 |
| | Groove position 9 mm | | |
| | Positioning jig for locking plates Se / stay and corner transmission | 1 | 6-30708-00-0-0 |
| | Groove position 13 mm | | |
| | Positioning jig for locking plates Se / middle stay | 1 | 6-29947-03-0-0 |
| Assembly of locking plates Se WK 2 | Drilling jig for locking plates Se / gears and centre gears | | |
| | Groove position 9 mm | | |
| | Locking plates Se: SRH 820-1870 | 1 | 6-29948-03-0-0 |
| | Locking plates Se: SRH 1871-2370 | 1 | 6-29948-04-0-0 |
| | Locking plates Se: SRW 851-1850 | 1 | 6-29948-05-0-0 |
| | Positioning jig for locking plates Se / middle stay | 1 | 6-29947-05-0-0 |
| | Groove position 9 mm | | |

G.U-966/150 oZ, G.U-90 oZ – PVC

| Application | Description | PU | Article No. |
|---|---|----|----------------|
| Assembly of handles | PVC windows and patio doors | | |
| | Drilling jig for handle | 1 | 6-22459-00-0-1 |
| | Stop for drilling jig 6-22459 | 1 | 9-27406-00-0-1 |
| Assembly of runners, gears, gliding and running rail | Drilling jig for runners and support | 1 | 9-30424-00-0-0 |
| | Drilling jig for gliding and running rail | 1 | 6-23616-00-0-1 |
| | Drilling jig for lockable gear | 1 | 6-25155-00-0-9 |
| | Drilling jig for stop pin | 1 | 6-30447-00-0-0 |
| | Positioning jig for gliding rail | 1 | 6-23246-00-0-0 |
| | Positioning jig for running rail | 1 | 6-23241-00-0-0 |
| Assembly of positioning and locking plates | Drilling jig for corner angle locking plates and positioning plates | 1 | 6-24859-00-0-0 |
| | Drilling jig for locking plates 9-30146 | | |
| | SRH 851-1850 | 1 | 6-24750-02-0-0 |
| | SRH 1851-2350 | 1 | 6-24750-03-0-0 |
| | Drilling jig for locking plates 9-30147 | | on request |

Positioning and locking plates, rebate shoot bolts according to profile system



| Profile systems for PVC patio doors | | | | | | | G.U-mZ/oZ | | G.U-mZ | | | G.U-mZ/oZ | | | |
|-------------------------------------|----------|----------|----------|---------------|--------|------------------|-------------------|---------------------|-----------------------------|-----------------------------|-------------------|------------------------------------|-----|-----|-----|
| Profile systems for PVC patio doors | | | | | | | Positioning plate | Locking plate frame | Locking plate Se – mushroom | Locking plate false mullion | Rebate shoot bolt | Handle, lockable both sides inside | | | |
| [1] = Groove position | Sash | Frame | Mullion | False mullion | GP [1] | Standard drawing | PU 20 | PU 100 | PU 100 | PU 100 | | 30* | 40* | 30* | 40* |
| Accord | 503002 | 503001 | 503003 | | 9,0 | 0-40164-2 | 9-29990-01-0-1 | 9-34325-00-0-1 | | | | | | | |
| Accord | 503602 | 503601 | 503603 | 503604 | 9,0 | 0-41489-2 | 9-29990-01-0-1 | 9-34325-00-0-1 | | 9-30146-01-0-1 | ZK | | | | |
| Accord Contour 7.0 MD | A.FL 02 | A.RA 03 | | A.KA 01 | 13,0 | 0-43576-2 | 9-38625-00-0-1 | 9-38620-00-0-1 | 6-27831-05-0-1 | | | | | | |
| Actual 500 | P 1515 | P 1501 | P 1510 | | 9,0 | 0-43049-2 | 9-29990-12-0-1 | 9-34542-00-0-1 | | | | | | | |
| Actual A 600 | | | | | 13,0 | | 9-29990-17-0-1 | 9-39614-00-0-1 | 6-27831-26-0-1 | | | | | | |
| Alphacan Esthea | 53/05 | 53/45 | 53/36 | | 13,0 | 0-43051-2 | E-18427-00-0-1 | E-18104-00-0-1 | | | | | | | |
| Alphacan Esthetis | PL 53-15 | PL 53-45 | PL 53-36 | | 13,0 | | E-18427-00-0-1 | E-18104-00-0-1 | | | | | | | |
| Alphacan Fersina Master | ZOM | ELA | TIA | | 9,0 | 0-39442-2 | 9-29990-07-0-1 | 9-36886-00-0-1 | 6-27674-31-0-1 | | | | | | |
| Aluplast Ideal 2000 | 120022 | 120002 | 120041 | 120204 | 13,0 | 0-43122-2 | 9-36496-00-0-1 | 9-34907-00-0-1 | 6-27831-05-0-1 | E-13534-12-0-1 | ZH | | | | |
| Aluplast Ideal 4000 | 140032 | 140002 | 140044 | 140066 | 13,0 | 0-44057-1 | 9-36496-00-0-1 | 9-38218-00-0-1 | 6-27831-08-0-1 | E-13534-12-0-1 | ZH | | x | x | x |
| Aluplast Ideal 5000 | 150032 | 150003 | 150043 | 150065 | 13,0 | 0-44058-1 | 9-36496-00-0-1 | 9-38218-00-0-1 | 6-27831-08-0-1 | E-13534-12-0-1 | ZH | | | | |
| Aluplast Ideal 6000 | 160032 | 160003 | 160043 | 160065 | 13,0 | 0-44059-1 | 9-36496-00-0-1 | 9-38218-00-0-1 | 6-27831-08-0-1 | E-13534-12-0-1 | ZH | | | | |
| Aluplast Signum 21 | 70 | 71 (77) | 72 | | 9,0 | 0-39217-2 | 9-29990-04-0-1 | 9-30146-04-0-1 | 6-27674-17-0-1 | | | | | x | x |
| Aluplast Signum 25 | 2539 | 2534 | 2547 | | 13,0 | 0-43257-2 | 9-35771-00-0-1 | 9-35770-00-0-1 | 6-27831-02-0-1 | | | | | | |
| Aluplast Signum 26 | 2611 | 2602 | 2621 | | 13,0 | 0-43451-2 | 9-36277-00-0-1 | E-19225-01-0-1 | | | | | | | |
| Astraseal | HF 51 | HF 67 | HF 74 | | 9,0 | G-39699-2 | 9-29990-02-0-1 | 9-30146-02-0-1 | | E-11968-00-0-1 | | | | | |
| Astraseal | | | | | 9,0 | 0-42049-2 | 9-29990-15-0-1 | E-11968-00-0-1 | | E-11968-00-0-1 | ZK | x | x | x | x |
| Atrya (Tryba) E 58 | Z 94 | L 65 | T 84R | | 9,0 | 0-42337-2 | 9-29990-27-0-1 | E-16069-00-0-1 | 6-27674-22-0-1 | | | x | | x | |
| Atrya (Tryba) T 58 | Z 76 J | L 66/3J | | | 13,0 | | 9-36277-00-0-1 | E-18949-00-0-1 | 6-27831-06-0-1 | | | | | | |
| Atrya (Tryba) T 62 | BL 110 | NS 100 | MD 100 | ME 200 | 9,0 | 0-41223-2 | 9-29990-06-0-1 | E-16237-00-0-1 | 6-27674-21-0-1 | E-13534-12-0-1 | ZK | | x | x | x |
| Brüggmann 81 | HF 403 | HF 431 | HF 437 | HF 438 | 9,0 | 0-39213-2 | 9-29990-02-0-1 | 9-32616-00-0-1 | 6-27674-04-0-1 | 9-32063-00-0-1 | ZH | | x | x | x |
| Brüggmann AD | HP 153 | HP 104 | HP 302 | HP 350 | 13,0 | 0-44066-1 | 9-36277-00-0-1 | 9-34907-00-0-1 | 6-27831-05-0-1 | E-13534-12-0-1 | ZH | x | x | x | x |
| Brüggmann Euro 92 | HF 952 | HF 941 | HF 972 | | 9,0 | 0-43043-2 | 9-35747-00-0-1 | 9-35745-00-0-1 | 6-27674-03-0-1 | | | | | | |
| Brüggmann MD | HP 253 | HP 202 | HP 402 | HP 451 | 13,0 | 0-44044-1 | 9-36277-00-0-1 | 9-34907-00-0-1 | 6-27831-05-0-1 | E-13534-12-0-1 | ZH | | x | x | x |
| Bug Serie Kompakt | | | 690 470 | | 9,0 | 0-43199-2 | 9-30163-18-0-1 | 9-30147-00-0-1 | | | | x | | x | |
| Deceuninck 1800 | P 1806 | P 1801 | | | 9,0 | | 9-35527-00-0-1 | 9-36544-00-0-1 | 6-27674-14-0-1 | | | | | | |
| Deceuninck Mondial | P 2020 | P 2000 | | | 13,0 | | 9-29990-39-0-1 | 9-35737-00-0-1 | 6-27831-10-0-1 | | | | | | |
| Deceuninck Mondial | P 2021 | P 2010 | P 2031 | | 13,0 | 0-43139-2 | 9-29990-39-0-1 | E-18369-02-0-1 | 6-27831-10-0-1 | | | x | | x | |
| Deceuninck Mondial | P 2105 | P 2100 | | | 13,0 | | 9-29990-39-0-1 | 9-35737-00-0-1 | 6-27831-31-0-1 | | | | | | |
| Deceuninck Zendow | 3052 | 3001 | 3082 | 3077 | 13,0 | 0-44303-1 | 9-35509-00-0-1 | 9-35508-00-0-1 | 9-40032-00-0-1 | E-13534-12-0-1 | | x | | x | |
| Deltaplast | PA 006 | PA 002 | PA 004 | | | | 9-29990-06-0-1 | 9-30146-06-0-1 | | | | | | | x |
| Dimat 60 (Amari) | 621 | 610-2 | 630 | | 9,0 | 0-39452-2 | 9-29990-29-0-1 | E-11794-12-0-1 | | | | | x | x | x |
| Dimat 65 (Amari) | 30229 | 30228 | 50530 | | 9,0 | 0-39817-2 | 9-29990-So-0-1 | E-11794-06-0-1 | | | | x | | x | |
| Dimex Accord | 712 100 | 711 800 | | | 13,0 | | 9-36277-00-0-1 | 9-34907-00-0-1 | 6-27831-05-0-1 | | | | | | |
| Dimex Komfort | | | | | 13,0 | 0-43501-2 | 9-36277-00-0-1 | 9-34907-00-0-1 | 6-27831-08-0-1 | | | x | | x | |
| Dongsan (Korea) | 1616 | 1604 | | | | | 9-33807-00-0-1 | 9-33802-00-0-1 | | | | | | | |

Positioning and locking plates, rebate shoot bolts according to profile system



| Profile systems for PVC patio doors | | | | | | | G.U-mZ/oZ | | G.U-mZ | | | | G.U-mZ/oZ | | | |
|-------------------------------------|-----------|-----------|-----------|---------------|--------|------------------|-------------------|---------------------|-----------------------------|-----------------------------|-------------------|------------------------------------|-----------|-----|-----|--|
| Profile systems for PVC patio doors | | | | | | | Positioning plate | Locking plate frame | Locking plate Se – mushroom | Locking plate false mullion | Rebate shoot bolt | Handle, lockable both sides inside | | | | |
| [1] = Groove position | Sash | Frame | Mullion | False mullion | GP [1] | Standard drawing | PU 20 | PU 100 | PU 100 | PU 100 | | 30* | 40* | 30* | 40* | |
| Duraco Combidur MPF | SP 1091 | SP 1034 | SP 1037 | | | | 9-30163-18-0-1 | 9-30147-00-0-1 | | | | | | x | | |
| Duraflex | TD 1800 | TD 1802 | | | 13,0 | | 9-36358-00-0-1 | 9-36357-00-0-1 | | | | | | | | |
| Ego Kiefer | | | | | 9,0 | | 9-36033-00-0-1 | 9-34202-00-0-1 | 6-27674-38-0-1 | | | | x | x | x | |
| Epwin | 2230 | 2207 | 2212 | 2231 | 17,5 | 0-42546-2 | 9-29990-37-0-1 | 9-30912-05-* -1 | | 9-30912-05-0-1 | ZK | x | x | x | x | |
| Eurext | R 704 | R 703 | R 701 | | 9,0 | 0-39585-2 | 9-30625-00-0-1 | 9-30627-00-0-1 | | | | x | | x | | |
| Europlast 7000 | R 7010 | R 7000 | | R 7058 | 9,0 | | 9-29990-09-0-1 | 9-30146-09-0-1 | | 9-30146-09-0-1 | ZK | | | | | |
| Feba | FL 06 | BR 01 | | | 9,0 | 0-43212-2 | 9-36033-00-0-1 | E-14339-00-0-1 | | | | x | | x | | |
| Finstral | D 237 | D 242 | D 222 | | 9,0 | 0-40172-2 | 9-29990-06-0-1 | 9-30146-06-0-1 | | | | | x | x | x | |
| Funke System Phoenix | 03 302 | 03 102 | | | | | 9-36277-00-0-1 | 9-34907-00-0-1 | | | | | | | | |
| Gealan S 3000 | 3090 | 3008 | 3038 | 3301 | 13,0 | 0-43964-1 | 9-35740-00-0-1 | 9-35858-00-0-1 | 6-27831-04-0-1 | 9-35858-00-0-1 | ZK | | | | | |
| Gealan S 6000 | 6093 | 6008 | 6037 | | 13,0 | 0-43491-2 | 9-36277-00-0-1 | 9-37885-00-0-1 | 6-27831-22-0-1 | | | | | | | |
| Gealan S 7000 iQ | 7093 | 7008 | 7037 | 7303 | 13,0 | 0-44064-1 | 9-35740-00-0-1 | 9-35858-00-0-1 | 6-27831-04-0-1 | 9-35858-00-0-1 | ZK | | | | | |
| Gealan S 7000 iQ | 7093 | 7008 | 7037 | 7302 | 13,0 | 0-44064-1 | 9-35740-00-0-1 | 9-35858-00-0-1 | 6-27831-04-0-1 | E-13534-12-0-1 | ZH | | | | | |
| Gealan S 8000 | 8093 | 8011 | 8037 | 8080 | 13,0 | 0-44131-1 | 9-35740-00-0-1 | 9-35858-00-0-1 | 6-27831-04-0-1 | E-13534-12-0-1 | ZH | | | | | |
| Gromathic System AD 3100 | GM 3101 | GM 3108 | | | 9,0 | | 9-30625-00-0-1 | 9-34202-00-0-1 | 6-27674-18-0-1 | | | | | | | |
| Gromathic System FV | GM 2400 | GM 2401 | GM 2402 | | 9,0 | 0-40222-2 | 9-29990-16-0-1 | 9-30146-16-0-1 | | | | x | | x | | |
| Gromathic System MD 3000 | GM 3000 | GM 3008 | | | 9,0 | | 9-30625-00-0-1 | 9-34202-00-0-1 | 6-27674-24-0-1 | | ZK | | | | | |
| Hapa | 7701 | 7700 | 7703 | | | | 9-30163-18-0-1 | 9-30147-00-0-1 | | | | | | | | |
| Helmitin CS | 4-60091 | 4-60090 | 4-60094 | 4-60096 | 13,0 | 0-41396-2 | 9-35715-00-0-1 | 4-64667-00-0-1 | | 9-30146-08-0-1 | ZK | | | | | |
| Helmitin KS | 4-60132 | 4-60111 | 4-60121 | 4-60124 | 13,0 | 0-42308-2 | 9-35715-00-0-1 | 4-64667-00-0-1 | 6-27831-01-0-1 | 4-64667-00-0-1 | ZK | | | | | |
| Helmitin KSL | 4-60185 | 4-60182 | 4-60195 | 4-60201 | 13,0 | 0-43511-2 | 9-29990-35-0-1 | 9-34907-00-0-1 | 6-27831-01-0-1 | | ZH | | | | | |
| Helmitin MS | 4-60089 | 4-60055 | 4-60088 | | 13,0 | 0-39216-2 | 9-29990-08-0-1 | 9-30146-08-0-1 | | | ZK | | | x | | |
| Hesaplast | 3302 | 3301 | | | | | 9-29990-So-0-1 | 9-30146-So-0-1 | | | | | | | | |
| Hocoplast H 120 | 120-86 | 100-68 | | | | | 9-29990-27-0-1 | E11968-00-0-1 | 6-27674-19-0-1 | | | | | | | |
| Home | F 83 | B 80 | | | 9,0 | | 9-29990-01-0-1 | 9-30146-01-0-1 | | | | | | | | |
| HT-Troplast Confort | 120400 | 110200 | 130600 | | 13,0 | 0-43378-2 | 9-37055-00-0-1 | 9-37137-00-0-1 | 6-27831-40-0-1 | | | | | | | |
| HT-Troplast Innonova 2000 | 520100 | 510100 | 530100 | 532100 | 13,0 | 0-44130-1 | 9-29990-06-0-1 | 9-41716-00-0-1 | 6-27674-42-0-1 | E-13534-12-0-1 | ZH | | | | | |
| HT-Troplast Innonova 70 M5 | 520600 | 510300 | 530400 | | 13,0 | | 9-37055-00-0-1 | 9-37137-00-0-1 | 6-27831-40-0-1 | | | | | | | |
| HT-Troplast Trocal 900 | 920700 | 910100 | 930200 | 935100 | 9,0 | 0-44128-1 | 9-29990-06-0-1 | 9-30806-00-0-1 | 6-27674-07-0-1 | 9-30806-00-0-1 | | x | x | x | x | |
| Illerplastic | HFL 1.201 | HST 1.121 | HPF 1.300 | | 9,0 | | 9-30163-18-0-1 | 9-30147-00-0-1 | 6-27674-29-0-1 | | | | | | | |
| Inefa Kontur 2000 | 1209 | 1201 | 1203 | 1217 | 9,0 | 0-44018-2 | 9-29990-07-0-1 | 9-30146-07-0-1 | 6-27674-35-0-1 | 9-31960-00-0-1 | ZH | | x | x | x | |
| Integratio (Möller) | 68110 | 68020 | 68220 | | 9,0 | 0-39759-2 | 9-29990-06-0-1 | 9-30146-06-0-1 | | | | | | | x | |
| Internorm | 16002 | 16001 | 16003 | | 9,0 | 0-40095-2 | 9-29990-01-0-1 | 9-30146-01-0-1 | | | | | | | | |
| Internorm | | | | | 9,0 | 0-41310-2 | 9-29990-01-0-1 | 9-30146-01-0-1 | | 9-31960-00-0-1 | ZH | | x | | x | |
| Intertec (Greiner) | GF 1022 | GR 1001 | GK 1040 | | 9,0 | 0-43187-2 | 9-29990-27-0-1 | E-14339-00-0-1 | | | | | x | x | x | |
| Intertec WD 70 (Greiner) | 140001 | 140020 | 140040 | 140050 | 13,0 | | 9-37055-00-0-1 | 9-38634-00-0-1 | | E-13534-12-0-1 | ZH | | | | | |

Positioning and locking plates, rebate shoot bolts according to profile system



| Profile systems for PVC patio doors | | | | | | | G.U-mZ/oZ | | G.U-mZ | | | | G.U-mZ/oZ | | | |
|-------------------------------------|------------|---------|---------|---------------|--------|------------------|-------------------|---------------------|-----------------------------|-----------------------------|-------------------|------------------------------------|-----------|-----|-----|--|
| Profile systems for PVC patio doors | | | | | | | Positioning plate | Locking plate frame | Locking plate Se – mushroom | Locking plate false mullion | Rebate shoot bolt | Handle, lockable both sides inside | | | | |
| [1] = Groove position | Sash | Frame | Mullion | False mullion | GP [1] | Standard drawing | PU 20 | PU 100 | PU 100 | PU 100 | | 30* | 40* | 30* | 40* | |
| Isobelec | Z 86 | D 70 | TD 86 | | 9,0 | 0-39845-2 | 9-29990-08-0-1 | 9-30146-99-0-1 | | | | x | | x | | |
| Isoferm | GA 301 | GA 304 | GA 306 | | 9,0 | 0-39671-2 | 9-30163-18-0-1 | 9-30147-00-0-1 | | | | | | | | |
| Ital Plastick | 07073ZE | 07073EL | 07073TM | 07073TC | 9,0 | 0-41303-2 | 9-29990-04-0-1 | 9-30146-04-0-1 | | 9-30146-04-0-1 | ZK | | | | | |
| Ital Plastick | Z/01 | L/41 | T/21 | | 9,0 | 0-39702-2 | 9-29990-17-0-1 | 9-30146-99-0-1 | | | | | | | | |
| Josko | | | | | 13,0 | 0-44414-1 | 9-43124-00-0-1 | 9-43118-00-0-1 | 6-33144-00-0-1 | | | | | | | |
| KBE AD | 318 | 306 | 132 | 734 | 9,0 | 0-42043-2 | 9-35527-00-0-1 | 9-31115-00-0-1 | 6-27674-05-0-1 | E-13534-12-0-1 | ZK | | | | | |
| KBE AD 70 | 375 | 370 | 380 | 385 | 13,0 | | 9-35509-00-0-1 | 9-35508-00-0-1 | 9-40032-00-0-1 | E-13534-12-0-1 | ZH | | | | | |
| KBE MD | 112 | 100 | 130 | | | | 9-29990-06-0-1 | 9-33663-00-0-1 | 6-27674-21-0-1 | | | | | x | | |
| Knipping SK 4010 | SK 4236 | SK 4133 | | | 13,0 | | 9-37055-00-0-1 | 9-37137-00-0-1 | 6-27831-40-0-1 | | | | | | | |
| Knipping System 3000 | 3066 | 3022 | 3079 | | 13,0 | 0-42784-2 | 9-30913-02-0-1 | 9-30912-02-*1 | 6-27831-27-0-1 | | | | | | | |
| Kö-Combidur AV | SP 3001 | SP 3012 | SP 3002 | SP 1108 | 13,0 | 0-39236-2 | 9-30624-00-0-1 | 8-00981-00-0-1 | | 9-30146-17-0-1 | ZK | | | | | |
| Kö-Eurodur 3S | 1411 | 1402 | 1425 | 1440 | 13,0 | 0-43958-1 | 9-33807-00-0-1 | 9-33802-00-0-1 | 6-27831-01-0-1 | 9-30146-11-0-1 | ZK | | | | | |
| Kö-EuroFutur Classic | 2411 | 2402 | 2422 | 2440 | 13,0 | | 9-33807-00-0-1 | 9-33802-00-0-1 | 6-27831-01-0-1 | 9-30146-11-0-1 | ZH | | | | | |
| Kö-EuroFutur Elegance | 111 | 102 | 122 | 140 | 13,0 | 0-44082-1 | 9-33807-00-0-1 | 9-33802-00-0-1 | 6-27831-01-0-1 | 9-30146-11-0-1 | ZH | | | | | |
| Kö-Gold | 1463 | 1461 | 1469 | F 1440 | 13,0 | 0-42704-2 | 9-35509-00-0-1 | 9-35508-00-0-1 | 9-40032-00-0-1 | 9-30146-11-0-1 | ZK | | | | | |
| Komarek Serie Riva 3 | 2272 | 2070 | 2074 | | 13,0 | 0-39445-2 | 9-30913-01-0-1 | 9-31758-00-0-1 | | | ZH | | x | x | x | |
| Kö-Tritec | P 1472 | P 1300 | P 1022 | | 9,0 | 0-43300-2 | 9-29990-03-0-1 | E-15321-00-0-1 | | | | | | | | |
| LB-Profile PAD | AZ 2-3 | AL 1-3 | AT 2-2 | | 13,0 | 0-42969-2 | 9-35780-00-0-1 | 9-34907-00-0-1 | 6-27831-05-0-1 | | | | | | | |
| Lucobay | 22/03 | 22/01 | 22/02 | | 9,0 | 0-39996-2 | 9-29990-03-0-1 | E-13534-10-0-1 | | | | x | | x | | |
| Mobau mb carat | | | | | | | 9-36277-00-0-1 | | | | | | | | | |
| MS (Magno-Solid) | 1562 | 1552 | 1573 | | 13,0 | 0-43353-2 | 9-37136-00-0-1 | 9-37135-00-0-1 | | | | | | | | |
| Nation.Profiles | 2202 | 1102 | 3301 | | 9,0 | G-39695-2 | 9-30825-00-0-1 | 9-30824-00-0-1 | | | | x | | x | | |
| Panorama 3000 | 3015 | 3001 | | | 13,0 | | 9-35740-00-0-1 | 9-41591-00-0-1 | | | | | | x | x | |
| Plastival PF 5900 | F 001 | F 010 | | | | | E-18774-00-0-1 | E-18736-00-0-1 | | | | | | | | |
| Plastmo 2000 | 5032080 | 5032025 | 5032030 | | 9,0 | 0-40978-2 | 9-29990-01-0-1 | 9-30146-01-0-1 | | | | | x | x | x | |
| Plastmo Index | 6035040 | 6035025 | 6035032 | 6035085 | | | 9-36033-00-0-1 | 9-34202-00-0-1 | | 9-34202-00-0-1 | | | | | | |
| Plustec | FLR 60 | BLR 80D | SEN | ST 61 | 9,0 | 0-39571-2 | 9-29990-01-0-1 | 9-30146-01-0-1 | | 9-30146-01-0-1 | ZK | x | | x | | |
| Plustec | FLR55MD | BLR80MD | | | 9,0 | 0-40039-2 | 9-29990-01-0-1 | 9-30146-01-0-1 | | | | | | x | | |
| Plustec 3K | FR 60 V | BR 76 | SP 85 V | | 13,0 | 0-43185-2 | 9-36496-00-0-1 | 9-37135-00-0-1 | 6-27831-02-0-1 | | | | | | | |
| Plustec 5K | FR 61 HV-5 | BR 76-5 | SP 85 V | | 13,0 | 0-44120-1 | 9-36496-00-0-1 | 9-37135-00-0-1 | 6-27831-02-0-1 | | | | | | | |
| Polyval | 1.104 | 1.100 | 1.105 | | 9,0 | 0-39454-2 | 9-29990-07-0-1 | E-13509-0-1 | | | | | | | | |
| Primo | P 1812 | P 1812 | P 1815 | | 9,0 | 0-40668-2 | 9-29990-42-0-1 | 9-30146-07-0-1 | | | | x | | x | | |
| Primo 400 | P 2106 | P 3043 | P 2382 | | 9,0 | | 9-29990-42-0-1 | 9-36878-00-0-1 | | | | | | | | |
| Primo 4000 | | | | | 13,0 | | 9-36277-00-0-1 | 9-34907-00-0-1 | | | | | | | | |
| Profel | P 602 | P 601 | P 603 | | 9,0 | 0-39449-2 | 9-29990-16-0-1 | 9-30146-16-0-1 | 6-27674-19-0-1 | | | | | | | |
| Pural | P 005 | P 010 | P 011 | P 008 | 9,0 | 0-39235-2 | 9-29990-11-0-1 | 9-30146-11-0-1 | | 9-30146-02-0-1 | ZK | | | | | |

Positioning and locking plates, rebate shoot bolts according to profile system



| Profile systems for PVC patio doors | | | | | | | G.U-mZ/oZ | | G.U-mZ | | | | G.U-mZ/oZ | | | |
|-------------------------------------|---------|---------|---------|---------------|--------|------------------|-------------------|---------------------|-----------------------------|-----------------------------|-------------------|--------------------------------------|-----------|-----|-----|--|
| Profile systems for PVC patio doors | | | | | | | Positioning plate | Locking plate frame | Locking plate Se – mushroom | Locking plate false mullion | Rebate shoot bolt | Handle, lockable both sides inside | | | | |
| [1] = Groove position | Sash | Frame | Mullion | False mullion | GP [1] | Standard drawing | PU 20 | PU 100 | PU 100 | PU 100 | | 30* | 40* | 30* | 40* | |
| Pural | P 005 | P 002 | | | 9,0 | | 9-29990-40-0-1 | 9-30146-02-0-1 | | | | | | | | |
| Ramplast Ecotherm | 302-01 | 301-01 | 303-01 | 304-01 | 9,0 | | 9-36033-00-0-1 | 9-31115-00-0-1 | 6-27674-61-0-1 | E-13534-12-0-1 | ZH | | | | | |
| Reckendrees DD | 5203207 | 5201304 | 5205300 | | | 0-39773-2 | 9-29990-32-0-1 | 9-30146-13-0-1 | | | | | | x | | |
| Record Quadro | | | | | 13,0 | 0-43124-2 | 9-30913-03-0-1 | 9-34907-00-0-1 | | | | | | | | |
| Rehau S 707 | 612 722 | 622 372 | 622 382 | | | | 9-29990-03-0-1 | E-13534-10-0-1 | | | | | | | | |
| Rehau S 711 | 551 020 | 551 080 | 551 030 | | 9,0 | F-41125-2 | 9-35446-00-0-1 | E-13685-00-0-1 | 6-27674-12-0-1 | | | | | | | |
| Rehau S 711 | 551 020 | 551 150 | 551 030 | 551 050 | 9,0 | 0-42592-2 | 9-35446-00-0-1 | E-13685-00-0-1 | 6-27674-12-0-1 | E-13685-00-0-1 | ZK | | | | | |
| Rehau S 711 | 551 060 | 551 040 | 551 030 | | 9,0 | F-41309-2 | 9-35446-00-0-1 | E-13685-00-0-1 | 6-27674-12-0-1 | | | | | | | |
| Rehau S 729 | 543 021 | 543 221 | 543 181 | | 13,0 | 0-43362-2 | 9-35771-00-0-1 | 9-35770-00-0-1 | 6-27831-02-0-1 | | | x | | x | | |
| Rehau S 730 | 541 010 | 541 120 | 541 230 | 541 100 | 13,0 | 0-43959-1 | 9-35771-00-0-1 | 9-35770-00-0-1 | 6-27831-02-0-1 | 9-31960-00-0-1 | ZH | | | | | |
| Rehau S 780 | 634 153 | 634 133 | | | 9,0 | 0-42907-2 | 9-35446-00-0-1 | E-14339-00-0-1 | 6-27674-13-0-1 | | | | | | | |
| Rehau S 796 | A553010 | A553040 | A553020 | | 13,0 | 0-43454-2 | 9-35771-00-0-1 | 9-35770-00-0-1 | 6-27831-02-0-1 | | | | | | | |
| Roplasto 4-K-System | 220400 | 210300 | 230100 | 253020 | 13,0 | 0-44149-1 | 9-35509-00-0-1 | 9-35508-00-0-1 | 6-27831-02-0-1 | E-13534-12-0-1 | ZH | x | x | x | x | |
| Roplasto 6001 Plus S-AD | 641300 | 619003 | 619202 | | 9,0 | | 9-29990-01-0-1 | E-15061-00-0-1 | 6-27674-20-0-1 | | | | | | | |
| Roplasto 6001 Plus S-AD | 640200 | 619003 | | | 9,0 | | 9-29990-01-0-1 | E-15061-00-0-1 | 6-27674-20-0-1 | | | | | | | |
| Roplasto 6001 Plus S-MD | 641300 | 611400 | 610400 | | 9,0 | 0-39234-2 | 9-29990-03-0-1 | E-13534-10-0-1 | 6-27674-So-0-1 | | | x | | x | | |
| Roplasto 6001 Plus S-MD | 640200 | 610172 | | | 9,0 | | 9-29990-03-0-1 | E-13534-10-0-1 | 6-27674-So-0-1 | | | | | | | |
| Roplasto 7001 | 220204 | 210804 | | | 13,0 | | 9-35509-00-0-1 | 9-35508-00-0-1 | 6-27831-02-0-1 | | | | | | | |
| Sachs | F 505 | S 203 | | | 13,0 | | 9-37136-00-0-1 | 9-39535-00-0-1 | | | | | | | | |
| Salamander Design 2D | 211 020 | 210 020 | 212 020 | 216 020 | 13,0 | 0-44152-1 | 9-36277-00-0-1 | 9-38634-00-0-1 | 6-27831-30-0-1 | E-13534-12-0-1 | ZH | | | | | |
| Salamander Design 3D | 211 230 | 110 220 | | | 13,0 | 0-43886-2 | 9-36277-00-0-1 | 9-38634-00-0-1 | 6-31067-04-0-1 | E-13534-12-0-1 | ZH | | x | x | x | |
| Salamander Design MD | 111 036 | 110 036 | 112 025 | 116 025 | 13,0 | | 9-36277-00-0-1 | 9-38634-00-0-1 | 6-27831-30-0-1 | E-13534-12-0-1 | ZH | x | | x | | |
| Salamander Streamline | 251 030 | 250 220 | 252 130 | 256 030 | 13,0 | | 9-36277-00-0-1 | 9-38634-00-0-1 | 6-31067-04-0-1 | E-13534-12-0-1 | ZH | x | | x | | |
| Salamander Universal | 201 030 | 200 030 | 202 020 | 206 030 | 9,0 | 0-44145-1 | 9-29990-28-0-1 | 9-31750-00-0-1 | 6-27674-08-0-1 | 9-30146-16-0-1 | | x | | x | | |
| Salamander Universal | 201 020 | 200 020 | 202 020 | | 9,0 | | 9-29990-28-0-1 | 9-31750-00-0-1 | 6-27674-08-0-1 | | | | | | | |
| Schock Thermassiv | FE | BE | BK | | 9,0 | 0-39438-2 | 9-31402-00-0-1 | 9-30146-03-0-1 | | | | | | | | |
| Schüco AS | 700100 | 702100 | 704100 | 718400 | 9,0 | 0-39460-2 | 9-30625-00-0-1 | 9-30627-00-0-1 | 6-27674-18-0-1 | 9-30627-00-0-1 | | x | | x | | |
| Schüco Corona AS 60 | 8129 | 8134 | 8111 | 8131 | 13,0 | 0-43702-2 | 9-36496-00-0-1 | 9-38218-00-0-1 | 6-27831-17-0-1 | E-13534-12-0-1 | ZH | x | | x | | |
| Schüco Corona CT 70 | 8563 | 8597 | | 8574 | 13,0 | | 9-36277-00-0-1 | 9-38218-00-0-1 | 6-27831-25-0-1 | | ZK | x | | x | | |
| Schüco Corona MD 60 | 8122 | 8117 | 8126 | 8137 | 13,0 | | 9-36496-00-0-1 | 9-38218-00-0-1 | 6-27831-17-0-1 | E-13534-12-0-1 | | x | | x | | |
| Schüco M+A | 717903 | 726703 | 727003 | 718303 | 9,0 | | 9-30625-00-0-1 | 9-30627-00-0-1 | 6-27674-27-0-1 | 9-30627-00-0-1 | | | | | | |
| Schüco MF | 717800 | 717600 | 718100 | 718300 | 9,0 | 0-39465-2 | 9-30625-00-0-1 | 9-30627-00-0-1 | | 9-30748-03-0-1 | | | | | | |
| Semperdur 6001 | 6103 | 6114 | 6104 | 6104 | 9,0 | 0-40866-2 | 9-29990-03-0-1 | 9-30146-03-0-1 | | 9-30146-03-0-1 | | x | | x | | |
| Sotrap-Gregorex 2000 | | | | | 9,0 | F-39023-2 | 9-29990-05-0-1 | 9-30146-05-0-1 | | | | | | | | |
| Sotrap-Gregorex Plus | 1 | 80.90 | 2002 | | 9,0 | F-40467-2 | 9-29990-05-0-1 | E-11968-00-0-1 | | | | | | | | |
| Spectus Windows | SW 07 | SW 05 | SW 06 | | 9,0 | G-41053-2 | 9-29990-05-0-1 | 9-30146-05-0-1 | | | | | | | | |

Positioning and locking plates, rebate shoot bolts according to profile system



| Profile systems for PVC patio doors | | | | | | | G.U-mZ/oZ | | G.U-mZ | | | | G.U-mZ/oZ | | | |
|-------------------------------------|---------|---------|---------|---------------|--------|------------------|-------------------|---------------------|-----------------------------|-----------------------------|-------------------|------------------------------------|-----------|-----|-----|--|
| Profile systems for PVC patio doors | | | | | | | Positioning plate | Locking plate frame | Locking plate Se – mushroom | Locking plate false mullion | Rebate shoot bolt | Handle, lockable both sides inside | | | | |
| [1] = Groove position | Sash | Frame | Mullion | False mullion | GP [1] | Standard drawing | PU 20 | PU 100 | PU 100 | PU 100 | | 30* | 40* | 30* | 40* | |
| Stabau-Massiv | 58/106 | 58/65 | 56/92 | | 9,0 | 0-39981-2 | 9-29990-18-0-1 | 8-00842-00-0-1 | | | | | x | x | x | |
| Stöckel Ecostep | 2260 | 2111 | | | | | 9-36902-00-0-1 | 9-37730-00-0-1 | 6-27831-21-0-1 | | | | | | | |
| Stöckel Twinstep | 1210 | 1111 | 1120 | | 9,0 | 0-39727-2 | 9-29990-06-0-1 | 9-30146-06-0-1 | 6-27674-07-0-1 | | | | | x | | |
| Thermopur | P 2 | P 1 | P 4 | | 9,0 | 0-40476-2 | 9-30163-18-0-1 | 9-30147-00-0-1 | | | | | | | x | |
| Thyssen AD | Z 10 | L 10 | T 20 | SZ 1 | 13,0 | 0-44129-1 | 9-29990-08-0-1 | 9-34492-00-0-1 | 6-27831-03-0-1 | 9-30146-17-0-1 | ZK | | | | | |
| Thyssen Elite | H 740 | L 710 | | | 13,0 | | 9-29990-08-0-1 | 9-34492-00-0-1 | 6-27831-03-0-1 | | | x | x | x | x | |
| Thyssen Exclusive | ZE 183 | LE 128 | TE 152 | | 9,0 | | 9-36033-00-0-1 | 9-34202-00-0-1 | | | | | | | | |
| Thyssen Kompakt | Z1 -Z3 | L1-L2 | T2 | | | | 9-30163-18-0-1 | E-11968-00-0-1 | | | | x | | x | | |
| Thyssen MD 100 | ZM 200 | LM 200 | TM 100 | | 13,0 | | 9-29990-08-0-1 | 9-34492-00-0-1 | 6-27831-03-0-1 | | | | | | | |
| Thyssen Mitteldichtung | ZM 2 | LM 20 | TM 10 | SFM 1 | 9,0 | 0-41195-2 | 9-29990-13-0-1 | 9-31755-00-0-1 | 6-27674-09-0-1 | 9-31960-00-0-1 | ZH | | | | | |
| Thyssen Prestige | Z 184 | L 176 | T 276 | SFZ 176 | 13,0 | 0-44133-1 | 9-29990-08-0-1 | 9-34492-00-0-1 | 6-27831-03-0-1 | E-13534-12-0-1 | ZH | x | x | x | x | |
| Veka MD | 103.016 | 101.025 | 102.022 | | 9,0 | 0-39579-2 | 9-29990-01-0-1 | E-15061-00-0-1 | | | | | | x | | |
| Veka Softline 70 | 103.232 | 101.214 | 102.218 | 102.236 | 13,0 | 0-44350-1 | 9-36277-00-0-1 | 9-42972-00-0-1 | 6-27831-32-0-1 | E-13534-12-0-1 | | | | | | |
| Veka Softline AD-Nutlage 13 | 103.196 | 101.111 | 102.103 | 102.196 | 13,0 | 0-44357-1 | 9-36277-00-0-1 | 9-42972-00-0-1 | 6-27831-32-0-1 | E-13534-12-0-1 | | | | | | |
| Veka Softline AD-Nutlage 9 | 103.104 | 101.086 | 102.103 | 102.118 | 9,0 | 0-44041-1 | 9-36033-00-0-1 | 9-34202-00-0-1 | 6-27674-46-0-1 | E-13534-12-0-1 | ZH | | | | | |
| Veka Softline MD | 103.118 | 101.100 | 102.105 | 102.107 | 9,0 | 0-43047-2 | 9-36033-00-0-1 | 9-34202-00-0-1 | 6-27674-46-0-1 | E-13534-12-0-1 | ZK | | | x | | |
| Veka Swingline | 103.235 | 101.235 | 102.235 | 102.236 | 13,0 | 0-44359-1 | 9-36277-00-0-1 | 9-42972-00-0-1 | 6-27831-32-0-1 | | | | | | | |
| Veka Topline AD | 103.212 | 101.205 | 102.200 | 102.236 | 13,0 | 0-44338-1 | 9-36277-00-0-1 | 9-42972-00-0-1 | 6-27831-32-0-1 | E-13534-12-0-1 | ZH | | | | | |
| Veka Topline MD | 103.222 | 101.222 | 102.220 | 102.226 | 13,0 | | 9-36277-00-0-1 | 9-42972-00-0-1 | 6-27831-32-0-1 | E-13534-12-0-1 | ZH | | | | x | |
| Weltplast | 552000 | 550000 | 554000 | 562000 | 9,0 | | 9-30626-00-0-1 | 9-41364-00-0-1 | 9-41459-00-0-1 | E-13534-12-0-1 | ZH | | | | | |
| Weru AKF | | | | | 9,0 | 0-39221-2 | 9-30163-18-0-1 | 9-30147-00-0-1 | | | | | | x | | |
| Weru Classico | 2FV085 | 2GB068 | 2P090 | 2FSZ066 | | 0-42581-2 | 9-38001-00-0-1 | 9-38000-00-0-1 | 9-40107-00-0-1 | 9-31960-00-0-1 | ZH | | | | | |
| Weru K 38 | 27.024 | 28.649 | 2.6471C | | | 0-43394-2 | 9-38001-00-0-1 | 9-38000-00-0-1 | 6-27831-29-0-1 | | | | x | x | x | |
| Weru Palazzo | | | | | 13,0 | | 9-40110-00-0-1 | 9-40109-00-0-1 | 9-40114-00-0-1 | | | | | | | |
| Winsol | 82/053C | 82/05 | 82/039C | | 9,0 | 0-39925-2 | 9-29990-19-0-1 | E-11994-03-0-1 | | | | | x | x | x | |
| Wymar | P 109 | P 103a | P 104b | | 9,0 | 0-39661-2 | 9-29990-03-0-1 | E-13568-00-0-1 | | | | x | | x | | |
| Wymar 1500 | 1507 | 1503 | | | | | 9-30913-03-0-1 | E-18289-00-0-1 | | | | | | | | |
| Wymar 2000 | 2205 | 2003 | | | 13,0 | 0-43386-2 | 9-29990-39-0-1 | 9-35737-00-0-1 | | | | | | | | |
| Wymar 2500 | | | | | 13,0 | | 9-42661-00-0-1 | E-19550-32-0-1 | | E-13534-12-0-1 | | | | | | |
| Wymar 3000 | 3200 | 3000 | 3100 | 3300 | 13,0 | | 9-36277-00-0-1 | 9-41839-00-0-1 | 6-27831-45-0-1 | E-13534-12-0-1 | | | | | | |

Boxes of stay arm according to profile system



| Box of stay – profile systems according to groove position Schemes A, D, G and K | | | | | | | | | | | | |
|---|-------------|-------------------------|-------------------------------|--|-----------------------------------|--|--|--|---|--|--|---|
| Profile system [1] = Groove position | GP [1] | | | | Middle stay | | Scheme C/ZH | | | Scheme C/ZK | | |
| | | Box of stay Standard | Box of stay Basic security | Box of stay Enhanced basic security ENV 1627 WK 2 | Box of middle stay Standard | Box of middle stay Enhanced basic security ENV 1627 WK 2 | Box of stay Scheme C/ZH Standard | Box of stay Scheme C/ZH basic security | Box of stay Scheme C/ZH Enhanced basic security ENV 1627 WK 2 | Box of stay Scheme C/ZK Standard | Box of stay Scheme C/ZK Basic security | Box of stay Scheme C/ZK Enhanced basic security ENV 1627 WK 2 |
| Kunststoff-Systeme | 9,0 | K-14139-00-* -1 | K-15205-00-* -1 | K-15089-00-* -1 | K-15486-00-* -1 | K-15488-00-* -1 | K-14190-00-* -1 | K-15422-00-* -1 | K-15380-00-* -1 | K-14189-00-* -1 | K-15421-00-* -1 | K-15379-00-* -1 |
| Kunststoff-Systeme | 13,0 | K-14191-00-* -1 | K-15204-00-* -1 | K-15245-00-* -1 | K-15487-00-* -1 | K-15489-00-* -1 | K-14911-00-* -1 | K-15424-00-* -1 | K-15394-00-* -1 | K-14192-00-* -1 | K-15423-00-* -1 | K-15383-00-* -1 |

Order catalogue part 4 Slide-fold fittings for PVC windows and patio doors

Contents

The present catalogue part contains all slide-fold fittings and accessories according to the latest state of the art. The following indications will make you familiar with the concept of the catalogue and help you to handle it easily.

Catalogue structure

The present catalogue part is structured in the following way:

- Optional parts and turn handles
- Sets
- Drilling and assembly tools
- Tilt locking plates, locking plates

Optional parts and turn handles

The option pages show you optional parts and turn handles for all slide-fold fittings at a glance. All supplements of standard versions are clearly arranged.

Sets

Fitting requirements according to sash size and scheme

The illustrations of the fittings are supplemented by corresponding parts tables helping to determine the hardware composition.

Parts supplementing standard versions are clearly presented and can be easily selected.

Drilling and positioning jigs

Drilling jigs, positioning jigs and auxiliary tools for hardware assembly are grouped according to fitting types.

Tilt locking plates, locking plates

Tilt locking plates and locking plates are grouped according to hardware type and profile system.

Order numbers

The order number gives information about

- the article
- its size
- its application - e.g. DIN lh or DIN rh
- its colour/finish

Example

Order number
6-25334-00-0-1

| | | |
|----------|------|---|
| 6-25334- | - - | Article number |
| - | -00- | Size |
| - | -L- | Left hand assembly |
| - | -R- | Right hand assembly |
| - | -0- | Usable on both sides |
| - | - -1 | F 1/EV 1, natural (silver colour), ferGUard*silver |
| - | - -2 | F 2/EV 2, champagne colour |
| - | - -3 | F 3, brass colour or gold colour |
| - | - -4 | UC 3, middle bronze or middle brown |
| - | - -A | F 4, bronze colour |
| - | - -C | Titanium colour |
| - | - -5 | UC 5, dark bronze or dark brown |
| - | - -6 | Onyx matt or black |
| - | - -7 | White, powder coated (RAL 9016) |
| - | - -* | Surface treatment variable (available colours see price list) |

Prices

Single part price list "Total programme"

The prices are listed by ascending article numbers.

Additional sales documentation

Apart from the order catalogue, the following documentation on slide-fold fittings is available:

- Brochures and leaflets informing about product features and advantages
- Presentation boards of all fitting versions
- Working drawings with mounting instructions
- Instructions for maintenance and care

G.U Data service

HardwareManager

Software designed for the composition and ordering of customer and order related hardware sets for timber and PVC windows and patio doors.

Hardware Data Service

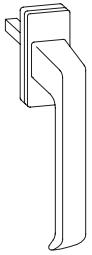
Generation of individual hardware data for the leading window manufacturing software programmes; supply of CNC data for the control of operating processes in window and door manufacture.

Order and customer information system CIS

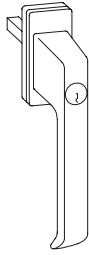
The CIS system offers versatile communication possibilities:

- online ordering
 - availability check
 - order tracing
 - information on current product range and prices
- Contact: <http://cis.g-u.de>

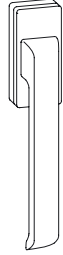
Handles DIRIGENT-F for windows and patio doors, accessories



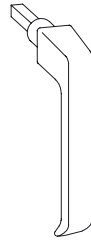
DIRIGENT-F
Spindle 29 6-28072-29-0-*
Spindle 33 6-28072-33-0-*



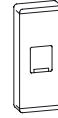
DIRIGENT-F/Z
with push button cylinder,
all keys alike
Spindle 29 6-28075-29-0-*
Spindle 33 6-28075-33-0-*



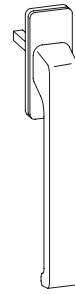
DIRIGENT-F/F flat
6-28101-00-0-*



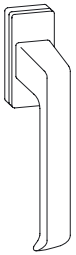
DIRIGENT-F/SG
Spindle 33
8-00694-33-0-*



Rosette/F
inside - flat
6-24913-00-0-*



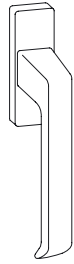
Handle DIRIGENT-HL,
elongated
Spindle 31 6-28646-31-0-*
Spindle 33 6-28646-33-0-*



DIRIGENT-F
without spindle
6-28072-00-0-*



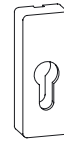
DIRIGENT-F/AF,
outside - flat
6-25223-00-0-*



DIRIGENT-F/A,
outside
6-25993-00-0-*



Spindle
FD 56-68 9-26874-56-0-1
FD 69-80 9-26874-69-0-1



Rosette PZ
inside
6-25224-02-0-*



Rosette PZ/A
outside
9-32407-02-0-*



Inside/outside operation
Countersunk screw M 5
FD 56-60 9-13255-60-0-1
FD 61-70 9-13255-70-0-1
FD 71-80 9-13255-80-0-1



Inside operation
Countersunk screw
M 5 x 40
9-13255-40-0-1



Knob locking
Backset 25 - 50 mm
K-13282-00-0-*



Pull handle
outside
9-22921-00-0-*

Slide-fold fittings

End cap lh
 9-32740-00-L-*

Cover rail P 1391
 Support 9-32741

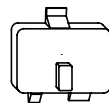
End cap rh
 9-32740-00-R-*

Running rail P 1213

Gliding rail P 1410

Bag of profiles G.U-925
 at bottom in- and outside without threshold
 TFW mm Article No.

| | |
|-----------|----------------|
| -2960 | K-14679-30-0-* |
| 2961-6700 | K-14679-67-0-* |



Bag of folding catch
 K-13334-00-0-*



Fixing plate 40 mm
 9-35697-00-0-1



Fixing plate 80 mm
 9-39386-00-0-1



Protective cap for rebate lever
 9-33668-00-0-9



Rod guide PVC
 0-1198A-00-0-0

Sliding hardware for window and patio door sashes

According to the defined manufacturer's liability described in paragraph 4 of the German "product liability law", the following information regarding sliding hardware for window and patio door sashes should be observed. Non-compliance exempts the manufacturer of his liability.

1. Product information and specified application

Sliding hardware as covered by this definition is hardware for sliding sashes of patio doors and windows, mainly used as glazed exterior structures. Fixglazed units and/or further sashes i.e. side hung sashes for cleaning purposes can be situated in a window element in combination with the sliding sashes.

Sashes equipped with this sliding hardware are capable of:

- sliding,
- lifting and sliding,
- tilting and sliding,
- lifting, tilting and sliding
- parallel retracting and sliding,
- tilting, parallel retracting and sliding.

Sliding hardware is used on vertically installed window and balcony door sashes made of timber, PVC, aluminium or steel, and their corresponding material combinations.

Sliding hardware as covered by this definition, is equipped with a locking mechanism that locks the sliding sash to the frame, as well as rollers located on the bottom horizontal side of the sliding sash. In addition, scissors stay arms for tilting and mechanisms for lifting and/or parallel retracting the sashes can be designated. By means of the hardware, the sashes are locked, brought into the ventilation position and pushed to the side.

Differing applications are not in compliance with the hardware's specified application.

Burglar-resistant windows and patio doors, windows and patio doors for damp rooms and those for use in environments with aggressive, corrosive air content, require hardware adapted for the respective application and individually agreed upon performance features.

Opened window and patio door sashes achieve only a shielding function and do not meet any demands on joint impermeability, water tightness, sound reduction, heat insulation and burglary resistance.

In the case of wind and draught, the window and patio door sashes must be closed and locked.

2. Misuse

Misuse – therefore not the specified product utilisation – of sliding hardware for windows and balcony doors occurs in particular:

- if obstacles are inserted into the opening vicinity, thus preventing its proper specified use,
- if additional loads are put on windows or balcony door sashes,
- if while sliding over and/or locking, someone reaches between the sash and frame, and/or a person or body part is in this vicinity while sliding.

3. Liability

The respective entire hardware set may only consist of G.U hardware components. In the case of inappropriately assembled hardware, and/or in case of non original accessory components and/or non factory-approved accessory components, no liability is accepted. For professional assembly G.U working drawings and mounting instructions are to be consulted.

4. Product performance

4.1 Maximum sash weights

The following listed maximum sash weights for the individual hardware versions must not be exceeded.

| Type of hardware | Maximum sash weight kg | Maximum sash width mm |
|-----------------------------|---------------------------|--------------------------|
| Slide-fold fittings G.U-922 | 80 | 900 |
| Slide-fold fittings G.U-925 | 80 | 900 |

4.2 Hardware composition

The manufacturer's regulations concerning the composition of hardware are obligatory (for example the arrangement of exterior handles, the hardware layout for burglary resistant window and patio door sashes).

5. Product maintenance

Security relevant hardware components are to be examined at least once a year for stability and wear and tear. Depending on the requirements, the fixing screws are to be tightened and/or parts replaced. In addition to this, the following maintenance work is to be carried out annually:

- All movable parts and all locking points of the sliding hardware are to be greased and tested.
- Only cleaning and maintenance agents which do not damage the corrosion protection of the hardware components are to be used.

Hardware adjustments as well the replacement of parts are to be carried out by a specialist company.

6. Obligation to issue information and instructions

To fulfil the information and instruction obligations as well as the maintenance operations according to the "product liability law", the following documentation is made available:

- for planning engineers "planning documents"
- for authorized dealers "catalogues"
- for fabricators "installation instructions" and "assembly drawings"
- for builders and end users: "service and maintenance instructions" as well as "operating manuals".

In order to safeguard the function of sliding hardware for windows and patio doors:

- Planning engineers are obliged to request and comply with the manufacturers' or authorized dealers' product information.
- The authorized dealers are obliged to observe and request the product information from the manufacturer and to pass them on to the fabricators, in particular installation instructions, assembly drawings, service and maintenance instructions as well as operating manuals.
- Fabricators are obliged to observe the product information and in particular to request service and maintenance instructions as well as operating manuals from the manufacturer or authorized dealer and to pass them on to the builders and end users.

7. Applicability for related hardware

Related hardware with sliding rolls and locks – for example hardware for slide-fold doors – is to be treated according to the corresponding valid features of product performance, product maintenance, specified use/application and misuse, product information and instruction obligations.

Slide-fold fittings for PVC windows and patio doors

Application

Range of applications for G.U slide-fold fittings:

- Slide-fold doors with 3 to 7 sashes,
- Slide-fold windows with 3 to 7 sashes, each with running and gliding rails.

Designs

Slide-fold fittings G.U-922

Bottom running fittings for single sashes up to 80 kg, with 4-wheel carriages, adjustable for sash overlap from 15 to 19 mm, height adjustable + 4 mm or - 1.5 mm. Wheels made of fabric reinforced laminated plastic with ball bearing. Non-lockable gears with backset of 15 mm or 25 to 50 mm, lockable gears with backset of 25 to 50 mm. SW 400-900 mm, SRH 850-2350 mm

Slide-fold fittings G.U-925

Top running fittings for single sashes up to 80 kg, with 4-wheel carriages, adjustable for sash overlap from 15 to 19 mm, height adjustable + 4 mm or - 1.5 mm. Wheels made of fabric reinforced laminated plastic with ball bearing. Non-lockable gears with backset of 15 mm or 25 to 50 mm, lockable gears with backset of 25 to 50 mm. SW 400-900 mm, SRH 850-2350 mm

Locking plates

Locking plates for various timber and PVC frame profiles according to table at the end of this catalogue chapter.

Drilling jigs, assembly tools

Drilling jigs and assembly tools for hardware assembly are compiled at the end of this catalogue chapter.

Handles

The handles are made of aluminium with concealed fixings. Rosettes with robust retaining feature. Standard version for slide-fold fittings G.U-922 and G.U-925: handle DIRIGENT-F.

Handles for operation from both sides complete the programme.

Running rail P 1213

Aluminium running rail, suitable for use with slide-fold sashes with standard and special fittings. – e.g. for timber/aluminium units.

Gliding rail P 1381

Aluminium gliding rail, suitable for use with slide-fold sashes (top guide).

Standard colours

Slide-fold fittings are supplied in the following standard colours:

- EV 1** Visible aluminium parts anodized EV 1, cover profiles grey
- UC 3** Visible aluminium parts anodized middle bronze, cover profiles middle brown
- UC 5** Visible aluminium parts anodized dark bronze, cover profiles dark brown
- white** Visible aluminium parts anodized EV 1, cover profiles white

Further colours and finishes on request.

Curved slide-fold units

If slide-fold units are arranged along a curved ground plan, the circle diameter must be 8 m at the minimum. Special guidelines of profile manufacturers have to be observed.

Materials, surface sealing ferGUard*silver

The fitting parts are made of high quality steel, zinc die-casting and aluminium alloys.

According to the material they are protected against corrosion by the surface sealing ferGUard*silver, aluminium parts are anodised.

Standard surface sealing of slide-fold fittings: ferGUard*silver

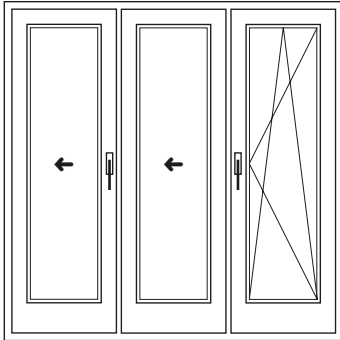
Locking components of slide-fold come with the surface sealing ferGUard*silver.

Abbreviations

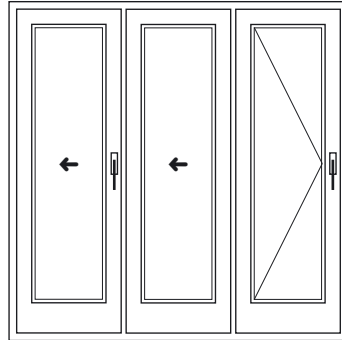
| | |
|-----|---------------------|
| CB | Cylinder bore |
| FRW | Frame rebate width |
| G | Fixed gear position |
| lh | left hand |
| ML | Middle lock |
| PU | Packing unit |
| rh | right hand |
| SH | Sash height |
| SRH | Sash rebate height |
| SRW | Sash rebate width |
| ST | Sash thickness |
| SW | Sash width |
| TFW | Total frame width |

Slide-fold fittings
for PVC windows and patio doors

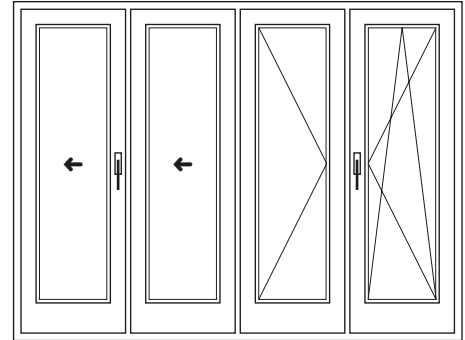
Sash arrangement according to schemes 321 to 651
with tilt-turn or active side hung sash



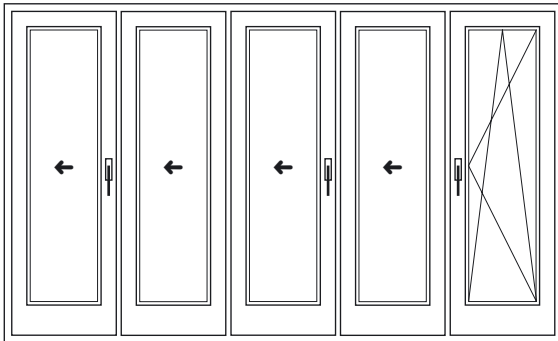
Scheme 321 [1]
2 slide-fold sashes,
1 tilt-turn sash



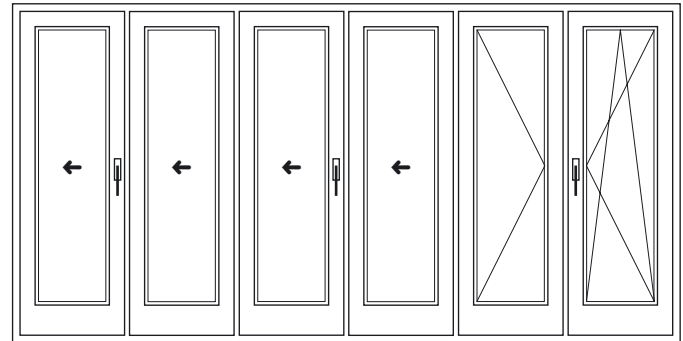
Scheme 330
2 slide-fold sashes,
1 side hung sash



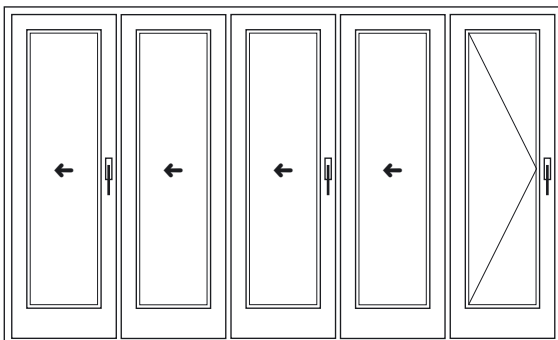
Scheme 431 [2]
2 slide-fold sashes,
1 inactive side hung sash, 1 tilt-turn sash



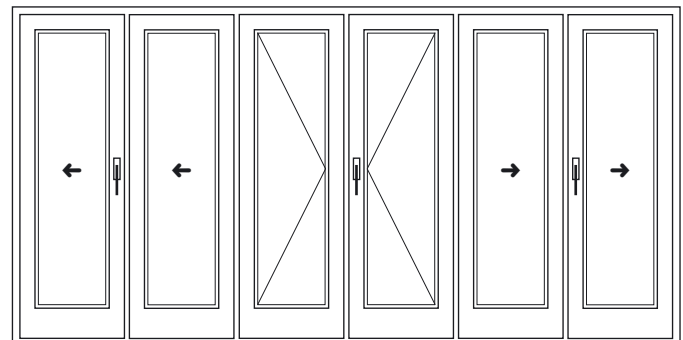
Scheme 541 [1]
4 slide-fold sashes,
1 tilt-turn sash



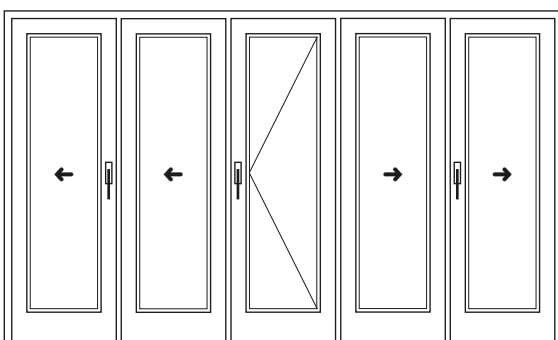
Scheme 651 [2]
4 slide-fold sashes,
1 inactive side hung sash, 1 tilt-turn sash



Scheme 550
4 slide-fold sashes,
1 side hung sash



Scheme 633
4 slide-fold sashes,
1 inactive side hung sash, 1 side hung sash



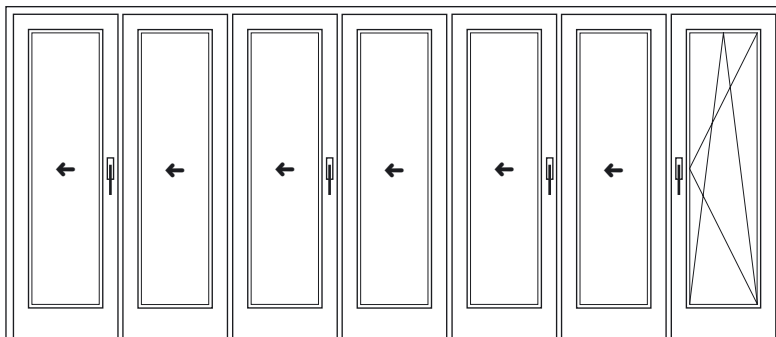
Scheme 532
4 slide-fold sashes,
1 side hung sash

Legend:

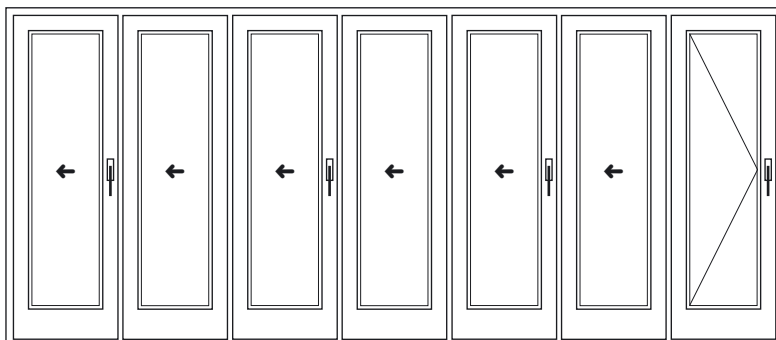
- [1] Active sash also as side hung sash
 - with sash hinges and UNI-JET side hung locking mechanism
 - with UNI-JET side hung fittings
- [2] First opening active sash also as side hung sash
 - with sash hinges and UNI-JET side hung locking mechanism
 - with UNI-JET side hung fittings

Slide-fold fittings
for PVC windows and patio doors

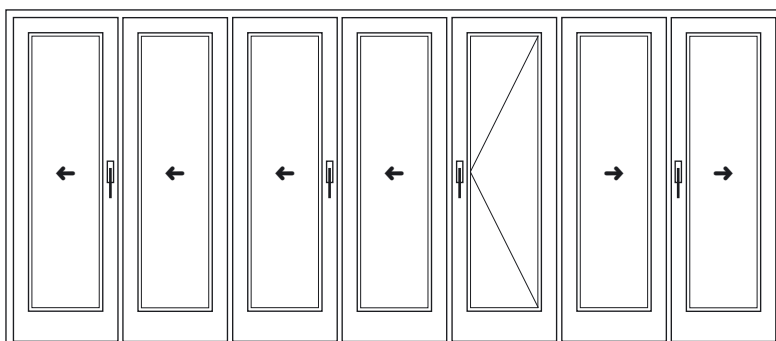
Sash arrangement according to schemes 743 to 770
with tilt-turn or active side hung sash



Scheme 761 [1]
6 slide-fold sashes,
1 tilt-turn sash



Scheme 770
6 slide-fold sashes,
1 side hung sash



Scheme 743
6 slide-fold sashes,
1 side hung sash

Legend:

- [1] Active sash also as side hung sash
 - with sash hinges and UNI-JET side hung locking mechanism
 - with UNI-JET side hung fittings

The newly developed sealing ferGUard*silver sets the standard

Surface coating free of chromate providing optimum corrosion protection = ferGUard

- Over the years, plaster, cement, paint and cleaning detergents considerably affect the surface of builder's hardware.
Possible consequence: claims
- Due to the surface sealing ferGUard*silver, damage through corrosion involving reclamation is reliably prevented.
The finish ferGUard*silver consists of a new combined coating (zinc + passivation without hexavalent chromium + additional coating) of superior anti-corrosive qualities.
- The coats are applied without organic components, heavy metals and hexavalent chromium; that is, the new surface sealing ferGUard*silver is environment-friendly and up to date.
- Another advantage:
The new finish ferGUard*silver produces an impressively even, silvery finish on the fitting parts: A new, additional sales argument with your customers.

How does the additional coating work?

As before, the fitting parts are protected by a zinc coat with succeeding yellow passivation (method: zinc + standard chromizing).
The new additional coat was developed in cooperation with leading suppliers of chemical engineering and with the automotive industry.
After the usual treatment, the fitting components are covered with an inorganic coat in an additional procedure.
This process step is carried out on a fully automatic and computer controlled production line.
The additional coat deeply permeates into the passivated coat, sealing the whole component firmly and permanently.
Special corrosion inhibitors additionally retard the beginning of corrosion.

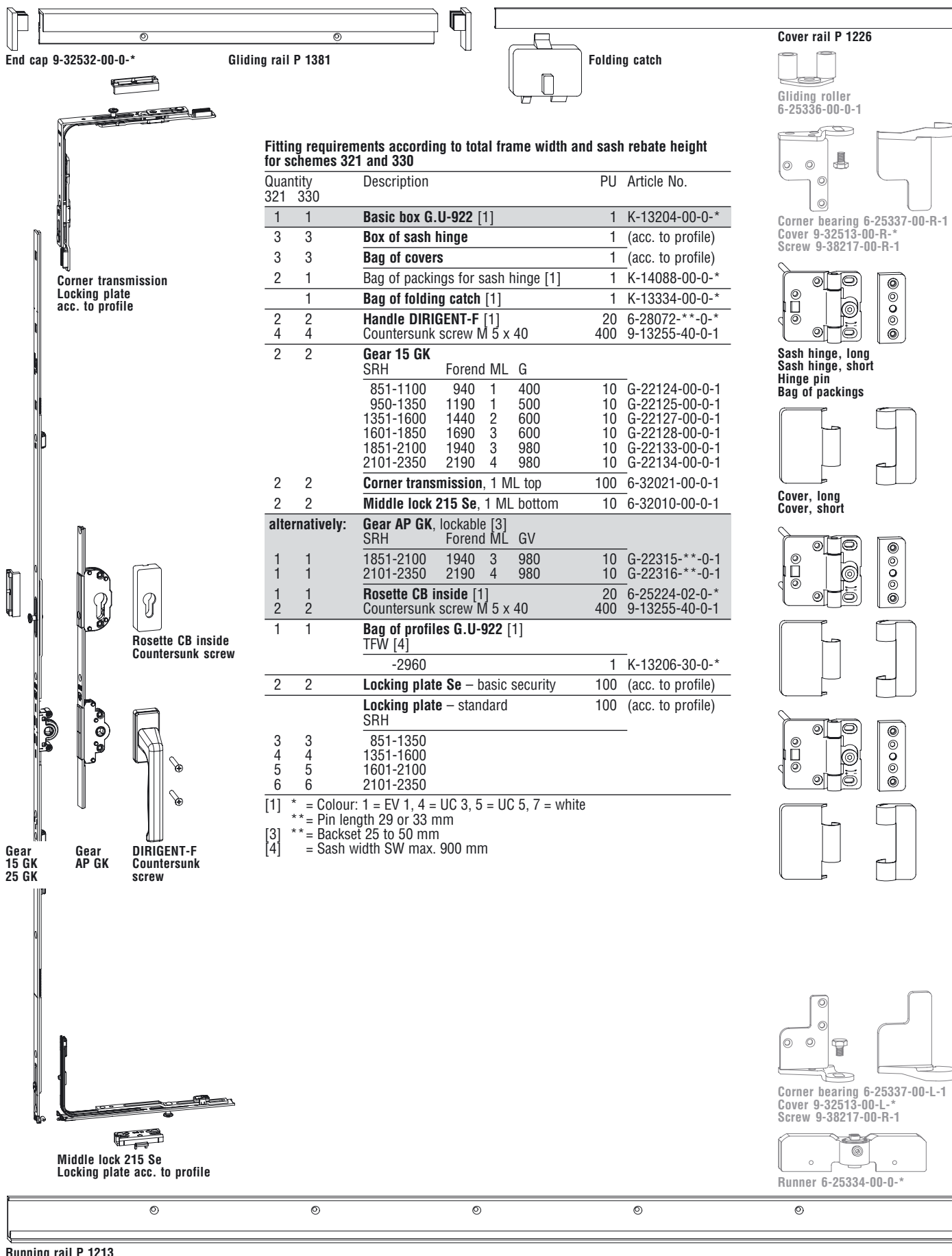
All in all, the new **G.U finish** offers to dealers, manufacturers and customers a large variety of **advantages**:

- Considerably improved corrosion protection due to additional coating.
- Longer product life of windows and doors.
- Without organic components and heavy metals, the new G.U finish is environment-friendly and up to date.
- If there is mechanic damage to the surface or if a component is cut (e.g. forend cut to length), the blank spot will not corrode due to the sacrificial protective effect of the zinc coat.
- Fewer customer claims due to a finish more resistant against detergents and household chemicals than others.
- Even, silvery finish of fitting parts throughout our complete product range.
- Complying with the environmental regulations of the EC, our newly developed coating system ferGUard*silver does not contain hexavalent chromium.

Slide-fold fittings G.U-922 – inward opening



PVC windows and patio doors
3 sashes, with side hung sash locking mechanism



End cap 9-32532-00-0-*

Gliding rail P 1381

Folding catch

Cover rail P 1226

Gliding roller
6-25336-00-0-1

Corner bearing 6-25337-00-R-1
Cover 9-32513-00-R-^{*}
Screw 9-38217-00-R-1

Sash hinge, long
Sash hinge, short
Hinge pin
Bag of packings

Cover, long
Cover, short

Corner bearing 6-25337-00-L-1
Cover 9-32513-00-L-^{*}
Screw 9-38217-00-R-1

Runner 6-25334-00-0-^{*}

Fitting requirements according to total frame width and sash rebate height for schemes 321 and 330

| Quantity | Description | PU | Article No. |
|-----------------------|--|-----|-------------------|
| 321 330 | | | |
| 1 1 | Basic box G.U-922 [1] | 1 | K-13204-00-0-* |
| 3 3 | Box of sash hinge | 1 | (acc. to profile) |
| 3 3 | Bag of covers | 1 | (acc. to profile) |
| 2 1 | Bag of packings for sash hinge [1] | 1 | K-14088-00-0-* |
| 1 1 | Bag of folding catch [1] | 1 | K-13334-00-0-* |
| 2 2 | Handle DIRIGENT-F [1] | 20 | 6-28072-**-0-* |
| 4 4 | Countersunk screw M 5 x 40 | 400 | 9-13255-40-0-1 |
| 2 2 | Gear 15 GK | | |
| | SRH Forend ML G | | |
| | 851-1100 940 1 400 | 10 | G-22124-00-0-1 |
| | 950-1350 1190 1 500 | 10 | G-22125-00-0-1 |
| | 1351-1600 1440 2 600 | 10 | G-22127-00-0-1 |
| | 1601-1850 1690 3 600 | 10 | G-22128-00-0-1 |
| | 1851-2100 1940 3 980 | 10 | G-22133-00-0-1 |
| | 2101-2350 2190 4 980 | 10 | G-22134-00-0-1 |
| 2 2 | Corner transmission, 1 ML top | 100 | 6-32021-00-0-1 |
| 2 2 | Middle lock 215 Se, 1 ML bottom | 10 | 6-32010-00-0-1 |
| alternatively: | | | |
| | Gear AP GK, lockable [3] | | |
| | SRH Forend ML GV | | |
| 1 1 | 1851-2100 1940 3 980 | 10 | G-22315-**-0-1 |
| 1 1 | 2101-2350 2190 4 980 | 10 | G-22316-**-0-1 |
| 1 1 | Rosette CB inside [1] | 20 | 6-25224-02-0-* |
| 2 2 | Countersunk screw M 5 x 40 | 400 | 9-13255-40-0-1 |
| 1 1 | Bag of profiles G.U-922 [1] | | |
| | TFW [4] | | |
| | -2960 | 1 | K-13206-30-0-* |
| 2 2 | Locking plate Se – basic security | 100 | (acc. to profile) |
| | Locking plate – standard | 100 | (acc. to profile) |
| | SRH | | |
| 3 3 | 851-1350 | | |
| 4 4 | 1351-1600 | | |
| 5 5 | 1601-2100 | | |
| 6 6 | 2101-2350 | | |

[1] * = Colour: 1 = EV 1, 4 = UC 3, 5 = UC 5, 7 = white

** = Pin length 29 or 33 mm

[3] ** = Backset 25 to 50 mm

[4] = Sash width SW max. 900 mm

Corner transmission
Locking plate
acc. to profile

Rosette CB inside
Countersunk screw

Gear
15 GK
25 GK

Gear
AP GK

DIRIGENT-F
Countersunk
screw

Middle lock 215 Se
Locking plate acc. to profile

Running rail P 1213

Slide-fold fittings G.U-922 – inward opening



PVC windows and patio doors
5 sashes, with side hung sash locking mechanism

End cap 9-32532-00-0-* **Gliding rail P 1381** **Folding catch** **Cover rail P 1226**

Gliding roller 6-25336-00-0-1

Corner bearing 6-25337-00-R-1
Cover 9-32513-00-R-*
Screw 9-38217-00-R-1

Corner transmission
Locking plate
acc. to profile

Rosette CB inside
Countersunk screw

Gear 15 GK **Gear AP GK** **DIRIGENT-F**
Countersunk screw

Middle lock 215 Se
Locking plate acc. to profile

Runner 6-25334-00-0-*

Running rail P 1213

Fitting requirements according to total frame width and sash rebate height for schemes 532, 541 and 550

| Quantity | Description | PU | Article No. |
|-----------------------|--|-----|-------------------|
| 532 541 550 | | | |
| 2 2 2 | Basic box G.U-922 [1] | 1 | K-13204-00-0-* |
| 5 5 5 | Box of sash hinge | 1 | (acc. to profile) |
| 5 5 5 | Bag of covers | 1 | (acc. to profile) |
| 2 2 1 | Bag of packings for sash hinge [1] | 1 | K-14088-00-0-* |
| 1 1 1 | Bag of folding catch [1] | 1 | K-13334-00-0-* |
| 3 3 3 | Handle DIRIGENT-F [1] | 20 | 6-28072-**-0-* |
| 6 6 6 | Countersunk screw M 5 x 40 | 400 | 9-13255-40-0-1 |
| 3 3 3 | Gear 15 GK | | |
| | SRH Forend ML G | | |
| | 851-1100 940 1 400 | 10 | G-22124-00-0-1 |
| | 950-1350 1190 1 500 | 10 | G-22125-00-0-1 |
| | 1351-1600 1440 2 600 | 10 | G-22127-00-0-1 |
| | 1601-1850 1690 3 600 | 10 | G-22128-00-0-1 |
| | 1851-2100 1940 3 980 | 10 | G-22133-00-0-1 |
| | 2101-2350 2190 4 980 | 10 | G-22134-00-0-1 |
| 3 3 3 | Corner transmission, 1 ML top | 100 | 6-32021-00-0-1 |
| 3 3 3 | Middle lock 215 Se, 1 ML bottom | 10 | 6-32010-00-0-1 |
| alternatively: | | | |
| | Gear AP GK, lockable [3] | | |
| | SRH Forend ML GV | | |
| 1 1 1 | 1851-2100 1940 3 980 | 10 | G-22315-**-0-1 |
| 1 1 1 | 2101-2350 2190 4 980 | 10 | G-22316-**-0-1 |
| 1 1 1 | Rosette CB inside [1] | 20 | 6-25224-02-0-* |
| 2 2 2 | Countersunk screw M 5 x 40 | 400 | 9-13255-40-0-1 |
| 1 1 1 | Bag of profiles G.U-922 [1] | | |
| | TFW [4] | | |
| | -2960 | 1 | K-13206-30-0-* |
| | 2961-3960 | 1 | K-13206-40-0-* |
| | 3961-5000 | 1 | K-13206-50-0-* |
| | 5001-6700 | 1 | K-13206-67-0-* |
| 3 3 3 | Locking plate Se – basic security | 100 | (acc. to profile) |
| | Locking plate – standard | 100 | (acc. to profile) |
| | SRH | | |
| 4 4 4 | 851-1350 | | |
| 5 5 5 | 1351-1600 | | |
| 6 6 6 | 1601-2100 | | |
| 7 7 7 | 2101-2350 | | |

[1] * = Colour: 1 = EV 1, 4 = UC 3, 5 = UC 5, 7 = white
** = Pin length 29 or 33 mm
[3] ** = Backset 25 to 50 mm
[4] = Sash width SW max. 900 mm

Slide-fold fittings G.U-922 – inward opening



PVC windows and patio doors

4 and 6 sashes, with side hung sash locking mechanism and rebate shoot bolt ZH

End cap 9-32532-00-0-* **Gliding rail P 1381** **Folding catch** **Cover rail P 1226**

Gliding roller 6-25336-00-0-1

Corner transmission
Locking plate acc. to profile

Rosette CB inside
Countersunk screw

Gear 15 GK **Gear AP GK** **DIRIGENT-F**
Countersunk screw

Rebate shoot bolt ZH **Middle lock 215 Se**
Locking plate acc. to profile

Running rail P 1213

Fitting requirements according to total frame width and sash rebate height for schemes 431, 633 and 651

| Quantity | Description | PU | Article No. |
|-----------------------|--|-----|-------------------|
| 1 2 2 | Basic box G.U-922 [1] | 1 | K-13204-00-0-* |
| 4 6 6 | Box of sash hinge 17/40 | 1 | K-13205-01-0-1 |
| 4 6 6 | Bag of covers 17/40/45 [1] | 1 | K-15392-00-0-* |
| 2 2 2 | Bag of packings for sash hinge [1] | 1 | K-14088-00-0-* |
| 1 2 1 | Bag of folding catch [1] | 1 | K-13334-00-0-* |
| 2 3 3 | Handle DIRIGENT-F [1] | 20 | 6-28072-**-0-* |
| 4 6 6 | Countersunk screw M 5 x 40 | 400 | 9-13255-40-0-1 |
| 2 3 3 | Gear 15 GK | | |
| | SRH Forend ML G | | |
| | 851-1100 940 1 400 | 10 | G-22124-00-0-1 |
| | 950-1350 1190 1 500 | 10 | G-22125-00-0-1 |
| | 1351-1600 1440 2 600 | 10 | G-22127-00-0-1 |
| | 1601-1850 1690 3 600 | 10 | G-22128-00-0-1 |
| | 1851-2100 1940 3 980 | 10 | G-22133-00-0-1 |
| | 2101-2350 2190 4 980 | 10 | G-22134-00-0-1 |
| 3 4 4 | Corner transmission, 1 ML top | 100 | 6-32021-00-0-1 |
| 3 4 4 | Middle lock 215 Se, 1 ML bottom | 10 | 6-32010-00-0-1 |
| alternatively: | | | |
| | Gear AP GK, lockable [3] | | |
| | SRH Forend ML GV | | |
| 1 1 1 | 1851-2100 1940 3 980 | 10 | G-22315-**-0-1 |
| 1 1 1 | 2101-2350 2190 4 980 | 10 | G-22316-**-0-1 |
| 1 1 1 | Rosette CB inside [1] | 20 | 6-25224-02-0-* |
| 2 2 2 | Countersunk screw M 5 x 40 | 400 | 9-13255-40-0-1 |
| 1 1 1 | Rebate shoot bolt ZH | | |
| | SRH Forend ML G | | |
| | 851-1100 940 1 230 | 10 | G-22182-00-0-1 |
| | 1101-1350 1190 1 230 | 10 | G-22183-00-0-1 |
| | 1351-1600 1440 2 230 | 10 | G-22184-00-0-1 |
| | 1601-1850 1690 3 230 | 10 | G-22185-00-0-1 |
| | 1851-2100 1940 3 516 | 10 | G-22186-00-0-1 |
| | 2101-2350 2190 4 516 | 10 | G-22187-00-0-1 |
| 1 1 1 | Bag of profiles G.U-922 [1] | | |
| | TFW [4] | | |
| | -2960 | 1 | K-13206-30-0-* |
| | 2961-3960 | 1 | K-13206-40-0-* |
| | 3961-5000 | 1 | K-13206-50-0-* |
| | 5001-6700 | 1 | K-13206-67-0-* |
| 3 4 4 | Locking plate Se – basic security | 100 | (acc. to profile) |
| | Locking plate – standard | 100 | (acc. to profile) |
| | SRH | | |
| 4 5 5 | 851-1350 | | |
| 5 6 6 | 1351-1600 | | |
| 6 7 7 | 1601-2100 | | |
| 7 8 8 | 2101-2350 | | |

[1] * = Colour: 1 = EV 1, 4 = UC 3, 5 = UC 5, 7 = white
 ** = Pin length 29 or 33 mm
 [3] ** = Backset 25 to 50 mm
 [4] = Sash width SW max. 900 mm

Sash hinge, long
Sash hinge, short
Hinge pin
Bag of packings

Cover, long
Cover, short

Corner bearing 6-25337-00-R-1
Cover 9-32513-00-R-^{*}
Screw 9-38217-00-R-1

Corner bearing 6-25337-00-L-1
Cover 9-32513-00-L-^{*}
Screw 9-38217-00-R-1

Runner 6-25334-00-0-*

Slide-fold fittings G.U-922 – inward opening



PVC windows and patio doors
7 sashes, with side hung sash locking mechanism

End cap 9-32532-00-0-* **Gliding rail P 1381** **Folding catch** **Cover rail P 1226**

Gliding roller 6-25336-00-0-1

Corner bearing 6-25337-00-R-1
Cover 9-32513-00-R-^{*}
Screw 9-38217-00-R-1

Sash hinge, long
Sash hinge, short
Hinge pin
Bag of packings

Cover, long
Cover, short

Rosette CB inside
Countersunk screw

Gear 15 GK 25 GK **Gear AP GK** **DIRIGENT-F Countersunk screw**

Middle lock 215 Se
Locking plate acc. to profile

Running rail P 1213

Fitting requirements according to total frame width and sash rebate height for schemes 743, 761 and 770

| Quantity | Description | PU | Article No. |
|-------------|--|-----|-------------------|
| 743 761 770 | | | |
| 3 3 3 | Basic box G.U-922 [1] | 1 | K-13204-00-0-* |
| 7 7 7 | Box of sash hinge | 1 | (acc. to profile) |
| 7 7 7 | Bag of covers | 1 | (acc. to profile) |
| 2 2 1 | Bag of packings for sash hinge [1] | 1 | K-14088-00-0-* |
| 1 1 1 | Bag of folding catch [1] | 1 | K-13334-00-0-* |
| 4 4 4 | Handle DIRIGENT-F [1] | 20 | 6-28072-**-0-* |
| 8 8 8 | Countersunk screw M 5 x 40 | 400 | 9-13255-40-0-1 |
| 4 4 4 | Gear 15 GK | | |
| | SRH Forend ML G | | |
| | 851-1100 940 1 400 | 10 | G-22124-00-0-1 |
| | 950-1350 1190 1 500 | 10 | G-22125-00-0-1 |
| | 1351-1600 1440 2 600 | 10 | G-22127-00-0-1 |
| | 1601-1850 1690 3 600 | 10 | G-22128-00-0-1 |
| | 1851-2100 1940 3 980 | 10 | G-22133-00-0-1 |
| | 2101-2350 2190 4 980 | 10 | G-22134-00-0-1 |
| 4 4 4 | Corner transmission, 1 ML top | 100 | 6-32021-00-0-1 |
| 4 4 4 | Middle lock 215 Se, 1 ML bottom | 10 | 6-32010-00-0-1 |
| | alternatively: Gear AP GK, lockable [3] | | |
| | SRH Forend ML GV | | |
| 1 1 1 | 1851-2100 1940 3 980 | 10 | G-22315-**-0-1 |
| 1 1 1 | 2101-2350 2190 4 980 | 10 | G-22316-**-0-1 |
| 1 1 1 | Rosette CB inside [1] | 20 | 6-25224-02-0-* |
| 2 2 2 | Countersunk screw M 5 x 40 | 400 | 9-13255-40-0-1 |
| 1 1 1 | Bag of profiles G.U-922 [1] | | |
| | TFW [4] | | |
| | -2960 | 1 | K-13206-30-0-* |
| | 2961-3960 | 1 | K-13206-40-0-* |
| | 3961-5000 | 1 | K-13206-50-0-* |
| | 5001-6700 | 1 | K-13206-67-0-* |
| 4 4 4 | Locking plate Se – basic security | 100 | (acc. to profile) |
| | Locking plate – standard | 100 | (acc. to profile) |
| | SRH | | |
| 5 5 5 | 851-1350 | | |
| 6 6 6 | 1351-1600 | | |
| 7 7 7 | 1601-2100 | | |
| 8 8 8 | 2101-2350 | | |

[1] * = Colour: 1 = EV 1, 4 = UC 3, 5 = UC 5, 7 = white
** = Pin length 29 or 33 mm
[3] ** = Backset 25 to 50 mm
[4] = Sash width SW max. 900 mm

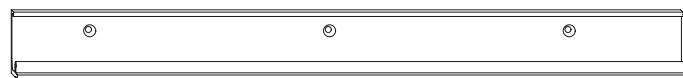
Corner bearing 6-25337-00-L-1
Cover 9-32513-00-L-^{*}
Screw 9-38217-00-R-1

Runner 6-25334-00-0-*

Slide-fold fittings G.U-925 – inward opening



PVC windows and patio doors
3 sashes, with side hung sash locking mechanism

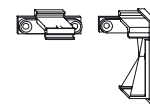


Running rail P 1213

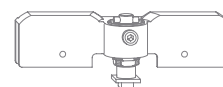


End cap, lh
9-32740-00-L-*

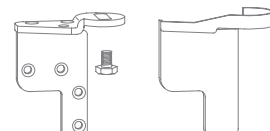
Cover rail P 1391
Support 9-32741



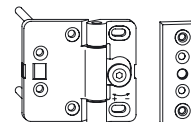
End cap, rh
9-32740-00-R-*



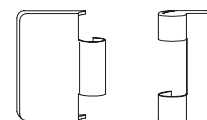
Runner 6-25436-00-0-*



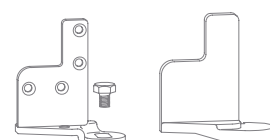
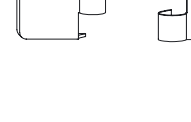
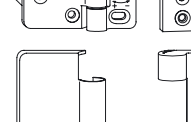
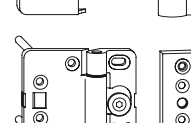
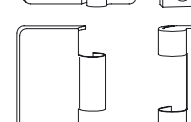
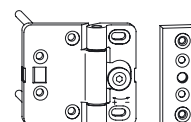
Corner bearing 6-25337-00-R-1
Cover 9-32513-00-R-
Screw 9-38217-00-R-1



Sash hinge, long
Sash hinge, short
Hinge pin
Bag of packings



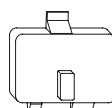
Cover, long
Cover, short



Corner bearing 6-25337-00-L-1
Cover 9-32513-00-L-
Screw 9-38217-00-R-1



Gliding roller
6-25336-00-0-1



Folding catch

Fitting requirements according to total frame width and sash rebate height for schemes 321 and 330

| Quantity | Description | PU | Article No. |
|-----------------------|---------------------------------|-----------|-------------|
| 1 | 1 | | |
| 3 | 3 | | |
| 3 | 3 | | |
| 2 | 1 | | |
| 1 | 1 | | |
| 2 | 2 | | |
| 4 | 4 | | |
| 2 | 2 | | |
| Gear 15 GK | | | |
| | SRH | Forend ML | G |
| | 851-1100 | 940 | 1 400 |
| | 950-1350 | 1190 | 1 500 |
| | 1351-1600 | 1440 | 2 600 |
| | 1601-1850 | 1690 | 3 600 |
| | 1851-2100 | 1940 | 3 980 |
| | 2101-2350 | 2190 | 4 980 |
| 2 | 2 | | |
| 2 | 2 | | |
| alternatively: | | | |
| | Gear AP GK, lockable [3] | | |
| | SRH | Forend ML | GV |
| 1 | 1 | 1851-2100 | 1940 3 980 |
| 1 | 1 | 2101-2350 | 2190 4 980 |
| 1 | 1 | | |
| 2 | 2 | | |
| 1 | 1 | | |
| | | | |
| 2 | 2 | | |
| 3 | 3 | | |
| 4 | 4 | | |
| 5 | 5 | | |
| 6 | 6 | | |

[1] * = Colour: 1 = EV 1, 4 = UC 3, 5 = UC 5, 7 = white

** = Pin length 29 or 33 mm

[3] ** = Backset 25 to 50 mm

[4] = Sash width SW max. 900 mm



Corner transmission
Locking plate
acc. to profile



Gear 15 GK
25 GK

Gear AP GK

DIRIGENT-F
Countersunk
screw

Rosette CB inside
Countersunk screw



Middle lock 215 Se
Locking plate acc. to profile



Gliding rail P 1381

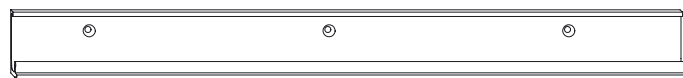


Cover rail P 1226

Slide-fold fittings G.U-925 – inward opening



PVC windows and patio doors
5 sashes, with side hung sash locking mechanism



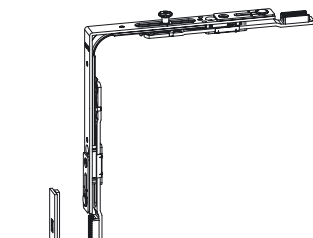
Running rail P 1213



End cap, lh
9-32740-00-L*

Cover rail P 1391
Support 9-32741

End cap, rh
9-32740-00-R*



Corner transmission
Locking plate
acc. to profile

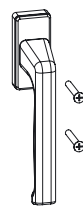


Gear
15 GK
25 GK

Gear
AP GK

DIRIGENT-F
Countersunk
screw

Rosette CB inside
Countersunk screw



Middle lock 215 Se
Locking plate acc. to profile



Gliding rail P 1381

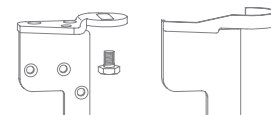


Cover rail P 1391
Support 9-32741

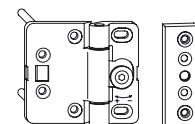
End cap, rh
9-32740-00-R*



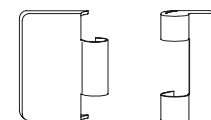
Runner 6-25436-00-0*



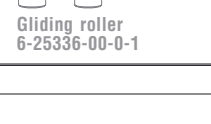
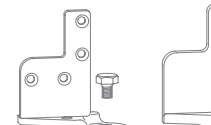
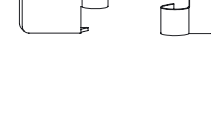
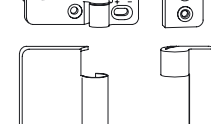
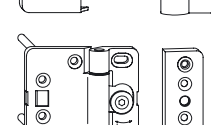
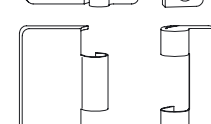
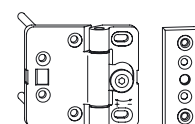
Corner bearing 6-25337-00-R-1
Cover 9-32513-00-R*
Screw 9-38217-00-R-1



Sash hinge, long
Sash hinge, short
Hinge pin
Bag of packings



Cover, long
Cover, short



Folding catch
Gliding roller
6-25336-00-0-1

Fitting requirements according to total frame width and sash rebate height for schemes 532, 541 and 550

| Quantity | Description | PU | Article No. |
|-------------|--|-----|-------------------|
| 532 541 550 | | | |
| 2 2 2 | Basic box G.U-925 [1] | 1 | K-13269-00-0* |
| 5 5 5 | Box of sash hinge | 1 | (acc. to profile) |
| 5 5 5 | Bag of covers | 1 | (acc. to profile) |
| 2 2 1 | Bag of packings for sash hinge [1] | 1 | K-14088-00-0* |
| 1 1 1 | Bag of folding catch [1] | 1 | K-13334-00-0* |
| 3 3 3 | Handle DIRIGENT-F [1] | 20 | 6-28072-**-0* |
| 6 6 6 | Countersunk screw M 5 x 40 | 400 | 9-13255-40-0-1 |
| 3 3 3 | Gear 15 GK | | |
| | SRH Forend ML G | | |
| | 851-1100 940 1 400 | 10 | G-22124-00-0-1 |
| | 950-1350 1190 1 500 | 10 | G-22125-00-0-1 |
| | 1351-1600 1440 2 600 | 10 | G-22127-00-0-1 |
| | 1601-1850 1690 3 600 | 10 | G-22128-00-0-1 |
| | 1851-2100 1940 3 980 | 10 | G-22133-00-0-1 |
| | 2101-2350 2190 4 980 | 10 | G-22134-00-0-1 |
| 3 3 3 | Corner transmission, 1 ML top | 100 | 6-32021-00-0-1 |
| 3 3 3 | Middle lock 215 Se, 1 ML bottom | 10 | 6-32010-00-0-1 |
| | alternatively: Gear AP GK, lockable [3] | | |
| | SRH Forend ML GV | | |
| 1 1 1 | 1851-2100 1940 3 980 | 10 | G-22315-**-0-1 |
| 1 1 1 | 2101-2350 2190 4 980 | 10 | G-22316-**-0-1 |
| 1 1 1 | Rosette CB inside [1] | 20 | 6-25224-02-0* |
| 2 2 2 | Countersunk screw M 5 x 40 | 400 | 9-13255-40-0-1 |
| 1 1 1 | Bag of profiles G.U-925 [1] | | |
| | TFW [4] | | |
| | -2960 | 1 | K-13272-30-0* |
| | 2961-3960 | 1 | K-13272-40-0* |
| | 3961-5000 | 1 | K-13272-50-0* |
| | 5001-6700 | 1 | K-13272-67-0* |
| 3 3 3 | Locking plate Se – basic security | 100 | (acc. to profile) |
| | Locking plate – standard | 100 | (acc. to profile) |
| | SRH | | |
| 4 4 4 | 851-1350 | | |
| 5 5 5 | 1351-1600 | | |
| 6 6 6 | 1601-2100 | | |
| 7 7 7 | 2101-2350 | | |

[1] * = Colour: 1 = EV 1, 4 = UC 3, 5 = UC 5, 7 = white

** = Pin length 29 or 33 mm

[3] ** = Backset 25 to 50 mm

[4] = Sash width SW max. 900 mm

Cover rail P 1226

Slide-fold fittings G.U-925 – inward opening



PVC windows and patio doors

4 and 6 sashes, with side hung sash locking mechanism and rebate shoot bolt ZH

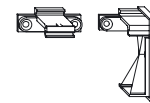


Running rail P 1213

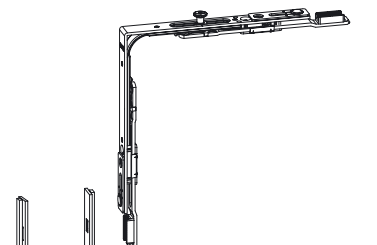


End cap, lh
9-32740-00-L-*

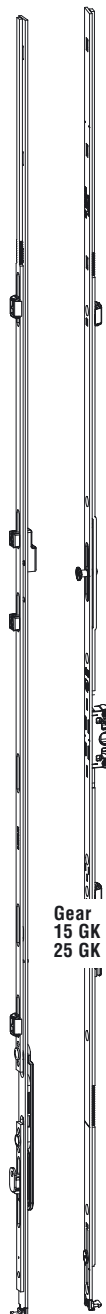
Cover rail P 1391
Support 9-32741



End cap, rh
9-32740-00-R-*



Corner transmission
Locking plate
acc. to profile



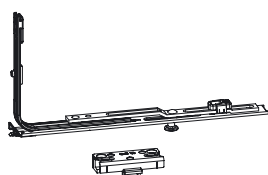
Gear
15 GK
25 GK

Gear
AP GK

DIRIGENT-F
Countersunk
screw



Rosette CB inside
Countersunk screw



Rebate
shoot
bolt ZH

Middle lock 215 Se
Locking plate acc. to profile



Gliding rail P 1381

Fitting requirements according to total frame width and sash rebate height for schemes 431, 633 and 651

| Quantity | 431 | 633 | 651 | Description | PU | Article No. |
|-----------------------|-----|-----|-----|--|-----|-------------------|
| 1 | 2 | 2 | | Basic box G.U-925 [1] | 1 | K-13269-00-0-* |
| 4 | 6 | 6 | | Box of sash hinge 17/40 | 1 | K-13205-01-0-1 |
| 4 | 6 | 6 | | Bag of covers 17/40/45 [1] | 1 | K-15392-00-0-* |
| 2 | 2 | 2 | | Bag of packings for sash hinge [1] | 1 | K-14088-00-0-* |
| 1 | 2 | 1 | | Bag of folding catch [1] | 1 | K-13334-00-0-* |
| 2 | 3 | 3 | | Handle DIRIGENT-F [1] | 20 | 6-28072-**-0-* |
| 4 | 6 | 6 | | Countersunk screw M 5 x 40 | 400 | 9-13255-40-0-1 |
| 2 | 3 | 3 | | Gear 15 GK | | |
| | | | | SRH Forend ML G | | |
| | | | | 851-1100 940 1 400 | 10 | G-22124-00-0-1 |
| | | | | 950-1350 1190 1 500 | 10 | G-22125-00-0-1 |
| | | | | 1351-1600 1440 2 600 | 10 | G-22127-00-0-1 |
| | | | | 1601-1850 1690 3 600 | 10 | G-22128-00-0-1 |
| | | | | 1851-2100 1940 3 980 | 10 | G-22133-00-0-1 |
| | | | | 2101-2350 2190 4 980 | 10 | G-22134-00-0-1 |
| 3 | 4 | 4 | | Corner transmission , 1 ML top | 100 | 6-32021-00-0-1 |
| 3 | 4 | 4 | | Middle lock 215 Se , 1 ML bottom | 10 | 6-32010-00-0-1 |
| alternatively: | | | | | | |
| | | | | Gear AP GK , lockable [3] | | |
| | | | | SRH Forend ML GV | | |
| 1 | 1 | 1 | | 1851-2100 1940 3 980 | 10 | G-22315-**-0-1 |
| 1 | 1 | 1 | | 2101-2350 2190 4 980 | 10 | G-22316-**-0-1 |
| 1 | 1 | 1 | | Rosette CB inside [1] | 20 | 6-25224-02-0-* |
| 2 | 2 | 2 | | Countersunk screw M 5 x 40 | 400 | 9-13255-40-0-1 |
| 1 | 1 | 1 | | Rebate shoot bolt ZH | | |
| | | | | SRH Forend ML G | | |
| | | | | 851-1100 940 1 230 | 10 | G-22182-00-0-1 |
| | | | | 1101-1350 1190 1 230 | 10 | G-22183-00-0-1 |
| | | | | 1351-1600 1440 2 230 | 10 | G-22184-00-0-1 |
| | | | | 1601-1850 1690 3 230 | 10 | G-22185-00-0-1 |
| | | | | 1851-2100 1940 3 516 | 10 | G-22186-00-0-1 |
| | | | | 2101-2350 2190 4 516 | 10 | G-22187-00-0-1 |
| 1 | 1 | 1 | | Bag of profiles G.U-925 [1] | | |
| | | | | TFW [4] | | |
| | | | | -2960 | 1 | K-13272-30-0-* |
| | | | | 2961-3960 | 1 | K-13272-40-0-* |
| | | | | 3961-5000 | 1 | K-13272-50-0-* |
| | | | | 5001-6700 | 1 | K-13272-67-0-* |
| 3 | 4 | 4 | | Locking plate Se – basic security | 100 | (acc. to profile) |
| | | | | Locking plate – standard | 100 | (acc. to profile) |
| | | | | SRH | | |
| 4 | 5 | 5 | | 851-1350 | | |
| 5 | 6 | 6 | | 1351-1600 | | |
| 6 | 7 | 7 | | 1601-2100 | | |
| 7 | 8 | 8 | | 2101-2350 | | |

[1] * = Colour: 1 = EV 1, 4 = UC 3, 5 = UC 5, 7 = white

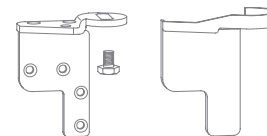
** = Pin length 29 or 33 mm

[3] ** = Backset 25 to 50 mm

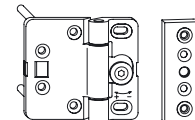
[4] = Sash width SW max. 900 mm



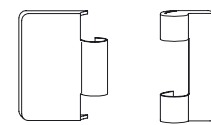
Runner 6-25436-00-0-*



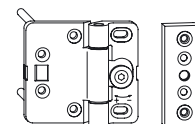
Corner bearing 6-25337-00-R-1
Cover 9-32513-00-R-*



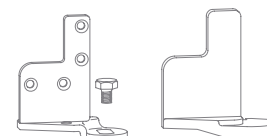
Sash hinge, long
Sash hinge, short
Hinge pin
Bag of packings



Cover, long
Cover, short



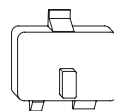
Gasket P 743



Corner bearing 6-25337-00-L-1
Cover 9-32513-00-L-*



Gliding roller
6-25336-00-0-1



Folding catch

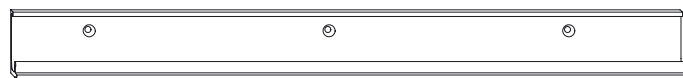


Cover rail P 1226

Slide-fold fittings G.U-925 – inward opening



PVC windows and patio doors
4 and 6 sashes, with side hung sash locking mechanism and rebate shoot bolt ZK

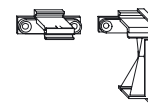


Running rail P 1213



End cap, lh
9-32740-00-L-*

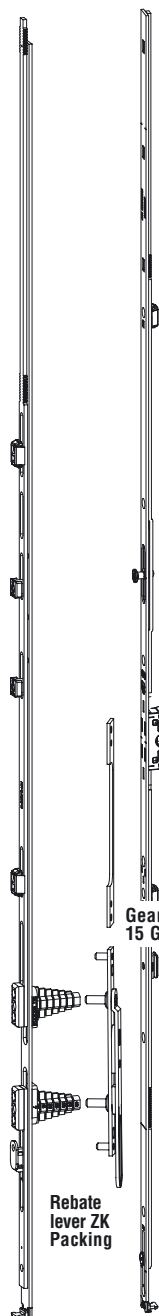
Cover rail P 1391
Support 9-32741



End cap, rh
9-32740-00-R-*



Corner transmission
Locking plate
acc. to profile



Gear
15 GK

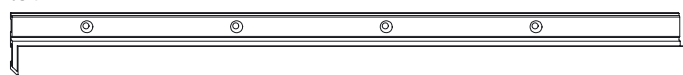
Gear
AP GK

DIRIGENT-F
Countersunk
screw

Rebate
lever ZK
Packing

Rebate
shoot
bolt ZK

Middle lock 215 Se
Locking plate acc. to profile



Gliding rail P 1381



Folding catch



Gliding roller
6-25336-00-0-1

Cover rail P 1226

Fitting requirements according to total frame width and sash rebate height for schemes 431, 633 and 651

| Quantity | Description | PU | Article No. |
|-----------------------|---|-----|-------------------|
| 431 633 651 | | | |
| 1 2 2 | Basic box G.U-925 [1] | 1 | K-13269-00-0-* |
| 4 6 6 | Box of sash hinge | 1 | (acc. to profile) |
| 4 6 6 | Bag of covers | 1 | (acc. to profile) |
| 2 2 2 | Bag of packings for sash hinge [1] | 1 | K-14088-00-0-* |
| 1 2 1 | Bag of folding catch [1] | 1 | K-13334-00-0-* |
| 2 3 3 | Handle DIRIGENT-F [1] | 20 | 6-28072-**-0-* |
| 4 6 6 | Countersunk screw M 5 x 40 | 400 | 9-13255-40-0-1 |
| 2 3 3 | Gear 15 GK | | |
| | SRH Forend ML G | | |
| | 851-1100 940 1 400 | 10 | G-22124-00-0-1 |
| | 950-1350 1190 1 500 | 10 | G-22125-00-0-1 |
| | 1351-1600 1440 2 600 | 10 | G-22127-00-0-1 |
| | 1601-1850 1690 3 600 | 10 | G-22128-00-0-1 |
| | 1851-2100 1940 3 980 | 10 | G-22133-00-0-1 |
| | 2101-2350 2190 4 980 | 10 | G-22134-00-0-1 |
| 3 4 4 | Corner transmission, 1 ML top | 100 | 6-32021-00-0-1 |
| 3 4 4 | Middle lock 215 Se, 1 ML bottom | 10 | 6-32010-00-0-1 |
| alternatively: | | | |
| | Gear AP GK, lockable [3] | | |
| | SRH Forend ML GV | | |
| 1 1 1 | 1851-2100 1940 3 980 | 10 | G-22315-**-0-1 |
| 1 1 1 | 2101-2350 2190 4 980 | 10 | G-22316-**-0-1 |
| 1 1 1 | Rosette CB inside [1] | 20 | 6-25224-02-0-* |
| 2 2 2 | Countersunk screw M 5 x 40 | 400 | 9-13255-40-0-1 |
| 1 1 1 | Rebate lever ZK | 10 | 6-24977-00-0-1 |
| 1 1 1 | Packing for rebate lever ZK | 100 | (nach Profil) |
| 1 1 1 | Rebate shoot bolt ZK | | |
| | SRH Forend ML G | | |
| | 851-1100 940 1 230 | 10 | G-22112-00-0-1 |
| | 1101-1350 1190 1 230 | 10 | G-22113-00-0-1 |
| | 1351-1600 1440 2 230 | 10 | G-22114-00-0-1 |
| | 1601-1850 1690 3 230 | 10 | G-22115-00-0-1 |
| | 1851-2100 1940 3 516 | 10 | G-22116-00-0-1 |
| | 2101-2350 2190 4 516 | 10 | G-22117-00-0-1 |
| 1 1 1 | Bag of profiles G.U-925 [1] | | |
| | TFW [4] | | |
| | -2960 | 1 | K-13272-30-0-* |
| | 2961-3960 | 1 | K-13272-40-0-* |
| | 3961-5000 | 1 | K-13272-50-0-* |
| | 5001-6700 | 1 | K-13272-67-0-* |
| 3 4 4 | Locking plate Se – basic security | 100 | (acc. to profile) |
| | Locking plate – standard | 100 | (acc. to profile) |
| | SRH | | |
| 4 5 5 | 851-1350 | | |
| 5 6 6 | 1351-1600 | | |
| 6 7 7 | 1601-2100 | | |
| 7 8 8 | 2101-2350 | | |

[1] * = Colour: 1 = EV 1, 4 = UC 3, 5 = UC 5, 7 = white

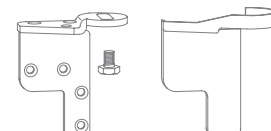
** = Pin length 29 or 33 mm

[3] ** = Backset 25 to 50 mm

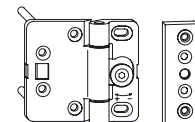
[4] = Sash width SW max. 900 mm



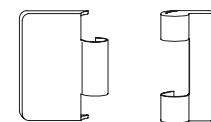
Runner 6-25436-00-0-*



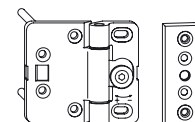
Corner bearing 6-25337-00-R-1
Cover 9-32513-00-R-*



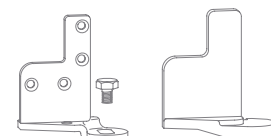
Sash hinge, long
Sash hinge, short
Hinge pin
Bag of packings



Cover, long
Cover, short



Gasket P 743



Corner bearing 6-25337-00-L-1
Cover 9-32513-00-L-*

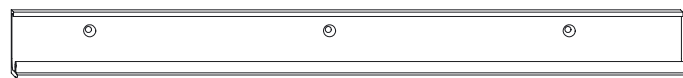


Screw 9-38217-00-R-1

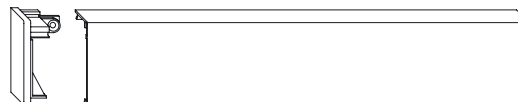
Slide-fold fittings G.U-925 – inward opening



PVC windows and patio doors
7 sashes, with side hung sash locking mechanism

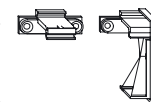


Running rail P 1213

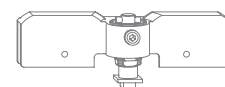


End cap, lh
9-32740-00-L-*

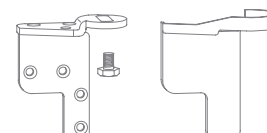
Cover rail P 1391
Support 9-32741



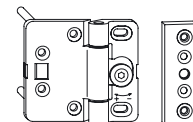
End cap, rh
9-32740-00-R-*



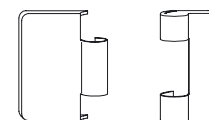
Runner 6-25436-00-0-*



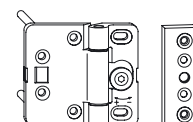
Corner bearing 6-25337-00-R-1
Cover 9-32513-00-R-
Screw 9-38217-00-R-1



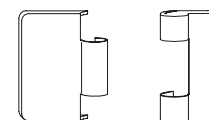
Sash hinge, long
Sash hinge, short
Hinge pin
Bag of packings



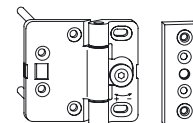
Cover, long
Cover, short



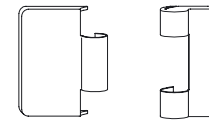
Cover, long
Cover, short



Cover, long
Cover, short



Cover, long
Cover, short



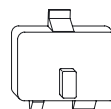
Cover, long
Cover, short



Corner bearing 6-25337-00-L-1
Cover 9-32513-00-L-
Screw 9-38217-00-R-1



Gliding roller
6-25336-00-0-1



Folding catch

Fitting requirements according to total frame width and sash rebate height for schemes 743, 761 and 770

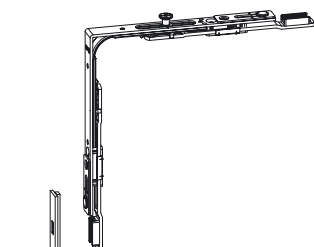
| Quantity | Description | PU | Article No. |
|-------------|--|-----|-------------------|
| 743 761 770 | | | |
| 3 3 3 | Basic box G.U-925 [1] | 1 | K-13269-00-0-* |
| 7 7 7 | Box of sash hinge | 1 | (acc. to profile) |
| 7 7 7 | Bag of covers | 1 | (acc. to profile) |
| 2 2 1 | Bag of packings for sash hinge [1] | 1 | K-14088-00-0-* |
| 1 1 1 | Bag of folding catch [1] | 1 | K-13334-00-0-* |
| 4 4 4 | Handle DIRIGENT-F [1] | 20 | 6-28072-**-0-* |
| 8 8 8 | Countersunk screw M 5 x 40 | 400 | 9-13255-40-0-1 |
| 4 4 4 | Gear 15 GK | | |
| | SRH Forend ML G | | |
| | 851-1100 940 1 400 | 10 | G-22124-00-0-1 |
| | 950-1350 1190 1 500 | 10 | G-22125-00-0-1 |
| | 1351-1600 1440 2 600 | 10 | G-22127-00-0-1 |
| | 1601-1850 1690 3 600 | 10 | G-22128-00-0-1 |
| | 1851-2100 1940 3 980 | 10 | G-22133-00-0-1 |
| | 2101-2350 2190 4 980 | 10 | G-22134-00-0-1 |
| 4 4 4 | Corner transmission , 1 ML top | 100 | 6-32021-00-0-1 |
| 4 4 4 | Middle lock 215 Se , 1 ML bottom | 10 | 6-32010-00-0-1 |
| | alternatively: | | |
| | Gear AP GK , lockable [3] | | |
| | SRH Forend ML GV | | |
| 1 1 1 | 1851-2100 1940 3 980 | 10 | G-22315-**-0-1 |
| 1 1 1 | 2101-2350 2190 4 980 | 10 | G-22316-**-0-1 |
| 1 1 1 | Rosette CB inside [1] | 20 | 6-25224-02-0-* |
| 2 2 2 | Countersunk screw M 5 x 40 | 400 | 9-13255-40-0-1 |
| 1 1 1 | Bag of profiles G.U-925 [1] | | |
| | TFW [4] | | |
| | -2960 | 1 | K-13272-30-0-* |
| | 2961-3960 | 1 | K-13272-40-0-* |
| | 3961-5000 | 1 | K-13272-50-0-* |
| | 5001-6700 | 1 | K-13272-67-0-* |
| 4 4 4 | Locking plate Se – basic security | 100 | (acc. to profile) |
| | Locking plate – standard | 100 | (acc. to profile) |
| | SRH | | |
| 5 5 5 | 851-1350 | | |
| 6 6 6 | 1351-1600 | | |
| 7 7 7 | 1601-2100 | | |
| 8 8 8 | 2101-2350 | | |

[1] * = Colour: 1 = EV 1, 4 = UC 3, 5 = UC 5, 7 = white

** = Pin length 29 or 33 mm

[3] ** = Backset 25 to 50 mm

[4] = Sash width SW max. 900 mm



Corner transmission
Locking plate
acc. to profile



Gear
15 GK
25 GK

Gear
AP GK

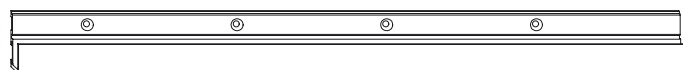
DIRIGENT-F
Countersunk
screw



Rosette CB inside
Countersunk screw



Middle lock 215 Se
Locking plate acc. to profile



Gliding rail P 1381



Cover rail P 1226

G.U-922, G.U-925

| Application | Description | PU | Article No. |
|--|---|----|----------------|
| | Timber and PVC windows and patio doors | | |
| Assembly of corner bearing | Drilling jig for corner bearing | 1 | 6-25370-00-0-9 |
| Assembly of sash hinge | Drilling jig for sash hinge K-13205-01 and K-13290-01 | 1 | 6-25369-00-0-9 |
| | Drilling jig for sash hinge K-13205-03 | 1 | 6-25996-03-0-0 |
| | Drilling jig for sash hinge K-13812-00 | 1 | 6-25996-02-0-0 |
| | Drilling jig for sash hinge K-13813-00 | 1 | 6-25996-01-0-0 |
| | Drilling jig for sash hinge, aluminium/timber | 1 | 6-25695-00-0-0 |
| | Stepped drill for drilling jig 6-25695 | 1 | 9-33672-00-0-0 |
| | Rod for drilling jig 6-25369/6-25695 | 1 | 9-32596-00-0-1 |
| | Stop for rod 9-32596 | 1 | 6-25371-00-0-9 |
| Assembly of running rail and gliding rail | Drilling jig for running or gliding rail | 1 | 6-23616-00-0-1 |
| Assembly of folding catch | Drilling jig for folding catch | 1 | 6-25575-00-0-9 |

Sash hinges, locking plates and packings for PVC patio doors according to profile system [1]



| PVC profile systems | Z-shaped sash profile | T-shaped sash profile | Frame profile | Frame profile | False mullion | Groove pos. mm | AssPU embly drawing G.U-922 | Box of sash hinge inside PU = 1 | Bag of covers PU = 1 | Box of sash hinge outside PU = 1 | Bag of covers PU = 1 | Locking plate frame PU = 100 | Locking plate false mullion PU = 100 | Mushroom pin locking plate PU = 100 |
|----------------------------|-----------------------|-----------------------|---------------|---------------|---------------|----------------|-----------------------------|---------------------------------|----------------------|----------------------------------|----------------------|------------------------------|--------------------------------------|-------------------------------------|
| Accord Contour 7.0 MD | A.FL 02 | | A.RA 02 | | A.ST 02 | 13,0 | 0-43579-1 | K-13205-01-0-1 | K-15392-00-0-* | K-13205-01-0-1 | K-15392-00-0-* | 9-38620-00-0-1 | 6-27831-05-0-1 | E-13534-12-0-1 |
| Accord Contour 7.0 MD | A.FL 02 | | A.RA 02 | | A.ST 01 | 13,0 | 0-43659-1 | K-13205-01-0-1 | K-15392-00-0-* | K-13205-01-0-1 | K-15392-00-0-* | 9-38620-00-0-1 | 6-27831-05-0-1 | E-13534-12-0-1 |
| Alphacan Esthea | 53/03 | | 53/45 | | 53/32 | 13,0 | 0-43644-1 | K-13205-01-0-1 | K-15392-00-0-* | K-13205-01-0-1 | K-15392-00-0-* | E-18104-00-0-1 | | E-18108-00-0-1 |
| Alphacan Profilia 600 | PE 336 | | PF 089 | | PE 380 | 9,0 | | K-13205-03-0-1 | K-15392-00-0-* | K-13205-03-0-1 | K-15392-00-0-* | 9-30146-06-0-1 | 6-27674-07-0-1 | 9-30146-06-0-1 |
| Aluplast Ideal 2000 | 120030 | 120031 | 120003 | | 120201 | 13,0 | 0-43171-1 | K-13812-00-0-1 | K-15399-00-0-* | K-13812-00-0-1 | K-15399-00-0-* | 9-34907-00-0-1 | 6-27831-05-0-1 | 9-30146-23-0-1 |
| Aluplast Ideal 4000 | 140 033 | 140 035 | 140 002 | | 140 066 | 13,0 | 0-44291-1 | K-13812-00-0-1 | K-15399-00-0-* | K-13205-03-0-1 | K-15392-00-0-* | 9-38218-00-0-1 | 6-31067-01-0-1 | E-13534-12-0-1 |
| Atrya (Tryba) T 62 | BL 105 | | NL 100 | | ME 200 | 9,0 | TR-001-FZ | K-13205-01-0-1 | K-15392-00-0-* | K-13205-01-0-1 | K-15392-00-0-* | E-16237-00-0-1 | | E-13534-12-0-1 |
| Brüggmann 81 | HF 401 | HF 401 | HF 431 | | HF 438 | 9,0 | 0-42002-1 | K-13813-00-0-1 | K-15393-00-0-* | K-13205-01-0-1 | K-15392-00-0-* | 9-32616-00-0-1 | 6-27674-04-0-1 | 9-30146-22-0-1 |
| Brüggmann AD | HP 153 | HP 154 | HP 104 | | HP 350 | 13,0 | 0-44182-1 | K-13812-00-0-1 | K-15399-00-0-* | K-13812-00-0-1 | K-15399-00-0-* | 9-34907-00-0-1 | 6-27831-05-0-1 | E-13534-12-0-1 |
| Brüggmann Euro 92 | HF 903 | HF 923 | HF 963 | | ZF 990 | 9,0 | 0-43847-1 | K-13812-00-0-1 | K-15399-00-0-* | K-13812-00-0-1 | K-15399-00-0-* | 9-35745-00-0-1 | 6-27674-03-0-1 | 9-35745-00-0-1 |
| Climabaie | 739106 | 739108 | 739101 | | 739127 | | 0-42059-1 | K-13205-01-0-1 | K-15392-00-0-* | K-13205-01-0-1 | K-15392-00-0-* | 9-30146-02-0-1 | | 9-30146-02-0-1 |
| Deceuninck 1800 | P 1806 | P 1810 | P 1801 | | P 403 | 9,0 | 0-43540-1 | K-13205-01-0-1 | K-15392-00-0-* | K-13205-01-0-1 | K-15392-00-0-* | 9-36544-00-0-1 | 6-27674-14-0-1 | E-15745-00-0-1 |
| Deceuninck Mondial | P 2020 | P 1134 | P 2002 | | P 2040 | 13,0 | 0-43267-1 | K-13812-00-0-1 | K-15399-00-0-* | K-13812-00-0-1 | K-15399-00-0-* | 9-35737-00-0-1 | 6-27831-31-0-1 | 9-30146-23-0-1 |
| Deceuninck Zendow | 3052 | 3076 | 3001 | | 3077 | 13,0 | 0-44301-1 | K-13205-03-0-1 | K-15392-00-0-* | K-13205-03-0-1 | K-15392-00-0-* | 9-35508-00-0-1 | 6-27831-47-0-1 | E-13534-12-0-1 |
| Dimex Komfort | 210 600 | 211 000 | 210 500 | | 220 200 | 13,0 | | K-13812-00-0-1 | K-15399-00-0-* | K-13812-00-0-1 | K-15399-00-0-* | 9-34907-00-0-1 | 6-27831-08-0-1 | E-13534-12-0-1 |
| Europlast 7000 | | | | | | 9,0 | | | | | | 9-30146-09-0-1 | | 9-30146-09-0-1 |
| Gealan S 3000 | 3090 | 3077 | 3011 | | 3301 | 13,0 | 0-43321-1 | K-13205-01-0-1 | K-15392-00-0-* | K-13205-01-0-1 | K-15392-00-0-* | 9-35858-00-0-1 | 6-27831-04-0-1 | 9-35858-00-0-1 |
| Gealan S 8000 | 8081 | 8078 | 8011 | | 8080 | 13,0 | 0-44226-1 | K-13205-01-0-1 | K-15392-00-0-* | K-13205-01-0-1 | K-15392-00-0-* | 9-35858-00-0-1 | 6-27831-04-0-1 | E-13534-12-0-1 |
| Helmitin A60 | 4-60061 | 4-60060 | 4-60059 | 4-61108 | 4-61104 | 13,0 | 0-41520-1 | K-13205-01-0-1 | K-15392-00-0-* | K-13205-01-0-1 | K-15392-00-0-* | 9-30146-12-0-1 | | 9-30146-12-0-1 |
| Helmitin KS | 4-60132 | 4-60128 | 4-60111 | 4-61108 | 4-60131 | 13,0 | 0-42918-1 | K-13205-01-0-1 | K-15392-00-0-* | K-13205-01-0-1 | K-15392-00-0-* | 9-35714-00-0-1 | 6-27831-01-0-1 | 9-35714-00-0-1 |
| Helmitin KSL | 4-60190 | 4-60191 | 4-60180 | | 4-60202 | 13,0 | 0-43614-1 | K-13205-01-0-1 | K-15392-00-0-* | K-13205-01-0-1 | K-15392-00-0-* | 9-35714-00-0-1 | 6-27831-01-0-1 | E-13534-12-0-1 |
| HT-Troplast Innonova 2000 | 522 100 | 522 200 | 510 200 | | 532 100 | 13,0 | 0-44237-1 | K-13205-03-0-1 | K-15392-00-0-* | K-13205-03-0-1 | K-15392-00-0-* | 9-41716-00-0-1 | 6-27674-42-0-1 | E-13534-12-0-1 |
| HT-Troplast Innonova 70AD | 622140 | 622230 | 610230 | | 632200 | 13,0 | | K-13812-00-0-1 | K-15399-00-0-* | K-13812-00-0-1 | K-15399-00-0-* | 9-37137-00-0-1 | 6-27831-40-0-1 | 9-30146-23-0-1 |
| HT-Troplast Trocal Confort | 120400 | | 110200 | | 130900 | 13,0 | 0-43707-1 | K-13205-01-0-1 | K-15392-00-0-* | K-13205-01-0-1 | K-15392-00-0-* | 9-37137-00-0-1 | 6-27831-40-0-1 | 9-30146-23-0-1 |
| Intertec (Greiner) | GF 1020 | | GR 1001 | | GS 1050 | 9,0 | 0-43372-1 | K-13205-01-0-1 | K-15392-00-0-* | K-13205-01-0-1 | K-15392-00-0-* | 9-31115-00-0-1 | | 8-00975-00-0-1 |
| Intertec WD 70 (Greiner) | 140020 | | 140001 | | 140050 | 13,0 | | | | | | 9-38634-00-0-1 | | E-13534-12-0-1 |
| Isoferm | GA 301 | GA 306 | GA 304 | | G 309 | 9,0 | 0-42071-1 | K-13205-01-0-1 | K-15392-00-0-* | K-13205-01-0-1 | K-15392-00-0-* | 9-30147-00-0-1 | | 9-30147-00-0-1 |
| KBE AD | 318 | 132 | 306 | 144 | 134 | 9,0 | 0-42042-1 | K-13812-00-0-1 | K-15399-00-0-* | K-13812-00-0-1 | K-15399-00-0-* | E-14339-00-0-1 | 6-27674-05-0-1 | E-14339-00-0-1 |
| KBE AD 70 | 373 | 379 | 370 | 360 | 386 | 13,0 | 0-44282-1 | K-13205-03-0-1 | K-15392-00-0-* | K-13812-00-0-1 | K-15399-00-0-* | 9-35508-00-0-1 | 6-31067-03-0-1 | E-13534-12-0-1 |
| Kö-Eurodur 3S | 1414 | 1418 | 1402 | 1272 | 1441 | 13,0 | 0-42039-1 | K-13205-01-0-1 | K-15392-00-0-* | K-13205-01-0-1 | K-15392-00-0-* | 9-33802-00-0-1 | 6-27831-01-0-1 | 9-30146-11-0-1 |
| Kö-EuroFutur Elegance | 0114.1 | 118 | 102 | | 0141.1 | 13,0 | 0-44334-1 | K-13205-01-0-1 | K-15392-00-0-* | K-13205-01-0-1 | K-15392-00-0-* | 9-33802-00-0-1 | 6-27831-01-0-1 | E-13534-12-0-1 |
| Kö-Profine Tritec | P 1472 | P 1178 | P 1470 | | P 1658 | 9,0 | 0-43301-1 | K-13205-01-0-1 | K-15392-00-0-* | K-13205-01-0-1 | K-15392-00-0-* | E-15321-00-0-1 | | E-15321-00-0-1 |
| LB-Profile PAD | AZ 2-3 | AT 20-3 | AL 2-3 | | AS 1 | 13,0 | 0-43226-1 | K-13812-00-0-1 | K-15399-00-0-* | K-13812-00-0-1 | K-15399-00-0-* | 9-34907-00-0-1 | | 9-34907-00-0-1 |
| Lucobay | 21/03 | 21/02 | 41/03 | | 21/32 | 9,0 | F-42283-1 | K-13205-01-0-1 | K-15392-00-0-* | K-13205-01-0-1 | K-15392-00-0-* | | | |
| MS | 1562 | 1567 | 1552 | | | 13,0 | 0-43375-1 | K-13812-00-0-1 | K-15399-00-0-* | K-13812-00-0-1 | K-15399-00-0-* | 9-37135-00-0-1 | | E-13534-12-0-1 |
| Aluplast Signum 21 | 70 | | „71;74“ | | 4143 | 9,0 | 0-42385-1 | K-13205-03-0-1 | K-15392-00-0-* | K-13812-00-0-1 | K-15399-00-0-* | 9-30146-04-0-1 | 6-27674-17-0-1 | 9-30146-23-0-1 |
| Aluplast Signum 25 | 2539 | | 2535 | | 2550 | 13,0 | 0-43313-1 | K-13205-01-0-1 | K-15392-00-0-* | K-13812-00-0-1 | K-15399-00-0-* | 9-35770-00-0-1 | 6-27831-02-0-1 | 9-30146-23-0-1 |
| Aluplast Signum 26 | 2611 | | 2602 | | 2630 | 13,0 | 0-43452-1 | K-13205-01-0-1 | K-15392-00-0-* | K-13205-01-0-1 | K-15392-00-0-* | E-19225-01-0-1 | 6-27831-48-0-1 | E-13534-12-0-1 |

Sash hinges, locking plates and packings for PVC patio doors according to profile system [1]



| PVC profile systems | Z-shaped sash profile | T-shaped sash profile | Frame profile | Frame profile | False mullion | Groove pos. mm | AssPU embli drawing G.U-922 | Box of sash hinge inside PU = 1 | Bag of covers PU = 1 | Box of sash hinge outside PU = 1 | Bag of covers PU = 1 | Locking plate frame PU = 100 | Locking plate false mullion PU = 100 | Mushroom pin locking plate PU = 100 |
|-------------------------|-----------------------|-----------------------|---------------|---------------|---------------|----------------|-----------------------------|---------------------------------|----------------------|----------------------------------|----------------------|------------------------------|--------------------------------------|-------------------------------------|
| Plastmo 2000 | 5032040 | 5032060 | 5032025 | | 5032085 | 9,0 | 0-42356-1 | K-13205-03-0-1 | K-15392-00-0-* | K-13205-03-0-1 | K-15392-00-0-* | 9-30146-12-0-1 | | 9-30146-12-0-1 |
| Plustec | FLR 60 | KP | BLR 80D | | ST 61 | 9,0 | 0-41524-1 | K-13812-00-0-1 | K-15399-00-0-* | K-13812-00-0-1 | K-15399-00-0-* | 9-30146-01-0-1 | | 9-30146-01-0-1 |
| Plustec 3K-System AD | FR 60 V | SF 85 V | BR 76 | | ST 61 | 13,0 | 0-43683-1 | K-13812-00-0-1 | K-15399-00-0-* | K-13812-00-0-1 | K-15399-00-0-* | 9-37135-00-0-1 | 6-31067-06-0-1 | 9-38319-00-0-1 |
| Profel | P 602 | | P 601 | | | 9,0 | | | | | | 9-30146-16-0-1 | 6-27674-57-0-1 | |
| Pural | P 005 | | P 010 | | SA/SI | 9,0 | 0-42716-1 | K-13205-01-0-1 | K-15392-00-0-* | K-13205-01-0-1 | K-15392-00-0-* | 9-30146-11-0-1 | 6-27674-45-0-1 | 9-30146-22-0-1 |
| Reckendrees DD | DD | MD | DD | | | 9,0 | 0-42079-1 | K-13205-01-0-1 | K-15392-00-0-* | K-13812-00-0-1 | K-15399-00-0-* | | | 9-30146-23-0-1 |
| Rehau Brillant Design | 550 410 | 550 400 | 550 010 | | 550 080 | 13,0 | | K-13812-00-0-1 | K-15399-00-0-* | K-13812-00-0-1 | K-15399-00-0-* | 9-35770-00-0-1 | 6-31067-07-0-1 | 9-30146-23-0-1 |
| Rehau S 702 | 609 652 | 609 662 | 618 972 | 629 102 | 561 250 | 9,0 | 0-41467-1 | K-13812-00-0-1 | K-15399-00-0-* | K-13812-00-0-1 | K-15399-00-0-* | E-13534-10-0-1 | | 9-30146-23-0-1 |
| Rehau S 730 | 541 160 | 541 170 | 541 120 | 561 004 | 541 140 | 13,0 | 0-43010-1 | K-13812-00-0-1 | K-15399-00-0-* | K-13812-00-0-1 | K-15399-00-0-* | 9-35770-00-0-1 | 6-31067-07-0-1 | 9-30146-23-0-1 |
| Rehau S 780 | 634 163 | | 634 133 | 634 153 | 632 913 | 9,0 | 0-43085-1 | K-13205-01-0-1 | K-15392-00-0-* | K-13205-01-0-1 | K-15392-00-0-* | E-14339-00-0-1 | 6-27674-13-0-1 | E-14339-00-0-1 |
| Roplasto 6001 Plus S-AD | 618300 | 610400 | 619100 | | 610700 | 9,0 | 0-41650-1 | K-13205-03-0-1 | K-15392-00-0-* | K-13205-03-0-1 | K-15392-00-0-* | E-15061-00-0-1 | 6-27674-20-0-1 | 9-30146-03-0-1 |
| Roplasto 7001 | 210500 | 230100 | 210900 | | 253020 | 13,0 | 0-44254-1 | K-13205-03-0-1 | K-15392-00-0-* | K-13205-03-0-1 | K-15392-00-0-* | 9-35508-00-0-1 | 6-31067-03-0-1 | E-13534-12-0-1 |
| Salamander Design ID | 211 030 | 31 030 | 210 030 | | 216 020 | 13,0 | 0-44046-1 | K-13812-00-0-1 | K-15399-00-0-* | K-13812-00-0-1 | K-15399-00-0-* | 9-38634-00-0-1 | 6-27831-30-0-1 | E-13534-12-0-1 |
| Salamander Universal | 201 030 | 301 030 | 200 030 | 406 170 | 206 030 | 9,0 | 0-42624-1 | K-13812-00-0-1 | K-15399-00-0-* | K-13812-00-0-1 | K-15399-00-0-* | 9-31750-00-0-1 | 6-27674-08-0-1 | 9-30146-02-0-1 |
| Schock Thermassiv | FE | FP | BB | | | 9,0 | 0-42687-1 | K-13205-01-0-1 | K-15392-00-0-* | K-13205-01-0-1 | K-15392-00-0-* | 9-30146-03-0-1 | | 9-30146-03-0-1 |
| Schüco AS | | | | | | 9,0 | | | | | | 9-35745-00-0-1 | | |
| Schüco AS | 700100 | 704100 | 701300 | | 729200 | 9,0 | 0-41739-1 | K-13812-00-0-1 | K-15399-00-0-* | K-13812-00-0-1 | K-15399-00-0-* | 9-30627-00-0-1 | 6-27674-18-0-1 | 9-30748-03-0-1 |
| Schüco Corona AS 60 | 8129 | 8113 | 8134 | | 8131 | 13,0 | 0-43687-1 | K-13205-03-0-1 | K-15392-00-0-* | K-13812-00-0-1 | K-15399-00-0-* | 9-38218-00-0-1 | | E-13534-12-0-1 |
| Schüco Corona CT 70 | 8507 | 8509 | 8501 | | 8519 | 13,0 | | K-13205-03-0-1 | K-15392-00-0-* | K-13812-00-0-1 | K-15399-00-0-* | 9-38218-00-0-1 | 6-27831-25-0-1 | 9-38218-00-0-1 |
| Selecta (GEWE) | GW 4403 | GW 4402 | GW 4401 | | GW 2305 | 9,0 | 0-43118-1 | K-13205-01-0-1 | K-15392-00-0-* | K-13812-00-0-1 | K-15399-00-0-* | 9-30146-16-0-1 | | 9-30146-16-0-1 |
| Spectus Windows | SW 09 | SW 08 | SW 05 | | A 401 | 9,0 | 0-41874-1 | K-13205-01-0-1 | K-15392-00-0-* | K-13205-01-0-1 | K-15392-00-0-* | 9-30146-05-0-1 | | 9-30146-02-0-1 |
| Thyssen AD | Z10 | TS 10 | L10 | | SFZ 10 | 13,0 | 0-43164-1 | K-13812-00-0-1 | K-15399-00-0-* | K-13812-00-0-1 | K-15399-00-0-* | 9-34492-00-0-1 | 6-27831-03-0-1 | 9-30146-23-0-1 |
| Thyssen Kompakt | Z 1 | TS 2 | L 3 | KP 9 | SFZ 1 | 9,0 | 0-41461-1 | K-13205-03-0-1 | K-15392-00-0-* | K-13205-03-0-1 | K-15392-00-0-* | 9-31755-00-0-1 | | 9-30146-02-0-1 |
| Veka Softline AD | 103.104 | 103.111 | 101.086 | 114.011 | 102.086 | 9,0 | 0-42644-1 | K-13205-01-0-1 | K-15392-00-0-* | K-13205-01-0-1 | K-15392-00-0-* | 9-34202-00-0-1 | 6-27674-46-0-1 | 9-34202-00-0-1 |
| Veka Softline MD | 103.118 | 103.121 | 101.100 | | 102.106 | 9,0 | | K-13205-03-0-1 | K-15392-00-0-* | K-13205-03-0-1 | K-15392-00-0-* | 9-34202-00-0-1 | 6-27674-46-0-1 | 9-30146-11-0-1 |
| Veka Topline AD | 103.204 | 103.205 | 101.201 | | 102.206 | 13,0 | 0-43844-1 | K-13205-01-0-1 | K-15392-00-0-* | K-13205-01-0-1 | K-15392-00-0-* | 9-42972-00-0-1 | 6-31067-05-0-1 | E-13534-12-0-1 |
| Wymar | P 109 | P 204 | P 103 | | P 110 C | 9,0 | 0-41884-1 | K-13205-01-0-1 | K-15392-00-0-* | K-13205-01-0-1 | K-15392-00-0-* | E-13568-00-0-1 | | E-15061-00-0-1 |
| Wymar 1500 | 1507 | | 1503 | | | 13,0 | | | | | | E-18289-00-0-1 | | |
| Wymar 2000 | 2205 | 2214 | 2003 | | 2212 | 13,0 | 0-43572-1 | K-13812-00-0-1 | K-15399-00-0-* | K-13812-00-0-1 | K-15399-00-0-* | 9-35737-00-0-1 | 6-27831-11-0-1 | E-13534-12-0-1 |

[1]

Tilt-turn first opening (active) sash

Fittings and locking plates for tilt-turn active sashes are contained in part 2 of the order catalogue ("Tilt-turn, side hung and tilt fittings for timber and PVC windows and patio doors").

Product group

F
A

**Lift-slide and lift-tilt-slide fittings,
horizontal and vertical pivot fittings**

5

Lift-slide and lift-tilt-slide fittings, Horizontal and vertical pivot fittings

Lift-slide and lift-tilt-slide fittings – Product group "F"

PVC windows and patio doors

Introduction, product information, optional parts

| | |
|---|------|
| Introduction | 5.3 |
| Product liability guidelines | 5.4 |
| Product information lift-slide and lift-tilt-slide fittings | 5.5 |
| Product information HS-Master | 5.6 |
| G.U finish for GUard sets new standards | 5.6 |
| Sash arrangement | 5.7 |
| Application | 5.8 |
| Turn handles for windows and patio doors, accessories | 5.9 |
| Optional parts | 5.10 |
| HS-Master | 5.14 |

Fitting requirements, sets

Lift-slide fittings G.U-934 K

| | |
|--|------|
| Aluplast Ideal 4000, Deceuninck, EuroFutur/PremiDoor | |
| Gealan S 8000, Rehau Brillant Design, Roplasto 4001 | 5.17 |
| Salamander iD, Schüco Corona CT 70, Thyssen AD, | |
| Veka Sofline 58, Veka Sofline 70, Veka Topline | 5.18 |

Lift-slide fittings G.U-937 K

| | |
|---------------|------|
| Profex, Wymar | 5.19 |
|---------------|------|

Lift-tilt-slide fittings G.U-954 K

| | |
|-------------------------------------|------|
| Aluplast Ideal 4000, Salamander iD, | |
| Schüco Corona CT 70 | 5.20 |
| Thyssen AD | 5.21 |

Threshold G.U-thermostep

| | |
|-----------------------|------|
| Sets | 5.23 |
| Single parts | 5.34 |
| Fittings requirements | 5.38 |

Drilling jigs, assembly tools

| | |
|-------------------------------|------|
| Drilling jigs, assembly tools | 5.39 |
|-------------------------------|------|

Horizontal pivot fittings – product group "A"

PVC windows – product group "A"

Introduction, product information, optional parts

| | |
|---|------|
| Introduction | 5.41 |
| Product liability guidelines | 5.42 |
| Product information horizontal pivot fittings | 5.43 |
| Turn handles, optional parts | 5.44 |

Fitting requirements, sets

Horizontal pivot fittings UNITAS 15, UNITAS 16

| | |
|--|------|
| Basic boxes and locking plates for SRW 1951 - 2950 | 5.45 |
|--|------|

Central locking system G.U-FERCO 340

| | |
|--|------|
| Aluplast Signum 23, Brüggmann Serie 81, Gealan S 8000, | |
| Veka Softline | 5.46 |
| Aluplast Ideal 4000, Kö-Profine EuroFutur Classic, | |
| KBE 70 AD, Rehau Brillant Design | 5.47 |
| Deceuninck Mondial, KBE 58 AD | 5.48 |
| Kö-Profine Eurodur 3S | 5.49 |
| Kö-Profine EuroFutur Elegance, Deceuninck Zendow | 5.50 |
| Rehau S 730, Thyssen Elite | 5.51 |
| Thyssen AD, Thyssen Deluxe | 5.52 |
| HT-Troplast Trocal 900 | 5.53 |
| HT-Troplast Confort | 5.54 |
| Veka Topline | 5.55 |

Order catalogue part 5 Lift-slide and lift-tilt-slide fittings for PVC windows and patio doors

Contents

Part 5 of the present order catalogue contains all lift-slide and lift-tilt-slide fittings for PVC windows and patio doors thresholds, top guides and accessories according to the latest state of the art. The following indications will make you familiar with the concept of the catalogue and help you to handle it easily.

Catalogue structure

The present catalogue part is structured in the following way:

- Optional parts and turn handles
- Sets
- Drilling and assembly tools

Optional parts and turn handles

The option pages show you optional parts and turn handles for all lift-slide and lift-tilt-slide fittings at a glance. All supplements of standard versions are clearly arranged.

Sets

Fitting requirements according to sash size and scheme

The illustrations of the fittings are supplemented by corresponding parts tables helping to determine the hardware composition.

Parts supplementing standard versions are clearly presented and can be easily selected.

Drilling and positioning jigs

Drilling jigs, positioning jigs and auxiliary tools for hardware assembly are grouped according to fitting types.

Order numbers

The order number gives information about

- the article
- its size
- its application - e.g. DIN lh or DIN rh
- its colour/finish

Example

Order number
6-26728-01-0-*

| | | |
|----------|------|--|
| 6-26728- | - - | Article number |
| - | -01- | Size |
| - | - | -L- Left hand assembly |
| - | - | -R- Right hand assembly |
| - | - | -0- Usable on both sides |
| - | - | - -1 F 1/EV 1, natural (silver colour), ferGUard*silver |
| - | - | - -2 F 2/EV 2, champagne colour |
| - | - | - -3 F 3, brass colour or gold colour |
| - | - | - -4 UC 3, middle bronze or middle brown |
| - | - | - -A F 4, bronze colour |
| - | - | - -C Titanium colour |
| - | - | - -5 UC 5, dark bronze or dark brown |
| - | - | - -6 Onyx matt or black |
| - | - | - -7 White, powder coated (RAL 9016) |
| - | - | - -* Surface treatment variable (available colours see price list) |

Prices

Single part price list "Total programme"

The prices are listed by ascending article numbers.

Additional sales documentation

Apart from the order catalogue, the following documentation on lift-slide and lift-tilt-slide fittings is available:

- Brochures and leaflets informing about product features and advantages
- Presentation boards of all fitting versions
- Working drawings with mounting instructions
- Instructions for maintenance and care

G.U Data service

HardwareManager

Software designed for the composition and ordering of customer and order related hardware sets for timber and PVC windows and patio doors.

Hardware Data Service

Generation of individual hardware data for the leading window manufacturing software programmes; supply of CNC data for the control of operating processes in window and door manufacture.

Order and customer information system CIS

The CIS system offers versatile communication possibilities:

- online ordering
- availability check
- order tracing
- information on current product range and prices

Contact: <http://cis.g-u.de>

Sliding hardware for window and patio door sashes

According to the defined manufacturer's liability described in paragraph 4 of the German "product liability law", the following information regarding sliding hardware for window and patio door sashes should be observed. Non-compliance exempts the manufacturer of his liability.

1. Product information and specified application

Sliding hardware as covered by this definition is hardware for sliding sashes of patio doors and windows, mainly used as glazed exterior structures. Fixglazed units and/or further sashes i.e. side hung sashes for cleaning purposes can be situated in a window element in combination with the sliding sashes.

Sashes equipped with this sliding hardware are capable of:

- sliding,
- lifting and sliding,
- tilting and sliding,
- lifting, tilting and sliding
- parallel retracting and sliding,
- tilting, parallel retracting and sliding.

Sliding hardware is used on vertically installed window and balcony door sashes made of timber, PVC, aluminium or steel, and their corresponding material combinations.

Sliding hardware as covered by this definition, is equipped with a locking mechanism that locks the sliding sash to the frame, as well as rollers located on the bottom horizontal side of the sliding sash. In addition, scissors stay arms for tilting and mechanisms for lifting and/or parallel retracting the sashes can be designated. By means of the hardware, the sashes are locked, brought into the ventilation position and pushed to the side.

Differing applications are not in compliance with the hardware's specified application.

Burglar-resistant windows and patio doors, windows and patio doors for damp rooms and those for use in environments with aggressive, corrosive air content, require hardware adapted for the respective application and individually agreed upon performance features.

Opened window and patio door sashes achieve only a shielding function and do not meet any demands on joint impermeability, water tightness, sound reduction, heat insulation and burglary resistance.

In the case of wind and draught, the window and patio door sashes must be closed and locked.

2. Misuse

Misuse – therefore not the specified product utilisation – of sliding hardware for windows and balcony doors occurs in particular:

- if obstacles are inserted into the opening vicinity, thus preventing its proper specified use,
- if additional loads are put on windows or balcony door sashes,
- if while sliding over and/or locking, someone reaches between the sash and frame, and/or a person or body part is in this vicinity while sliding.

3. Liability

The respective entire hardware set may only consist of G.U hardware components. In the case of inappropriately assembled hardware, and/or in case of non original accessory components and/or non factory-approved accessory components, no liability is accepted.

For professional assembly G.U working drawings and mounting instructions are to be consulted.

4. Product performance

4.1 Maximum sash weights

The following listed maximum sash weights for the individual hardware versions must not be exceeded.

| Type of hardware | Maximum sash weight kg | Maximum sash width [1] mm |
|----------------------------------|------------------------|---------------------------|
| Lift-slide fittings G.U-934 | 300 | 3300 |
| Lift-slide fittings G.U-937 | 150 | 2200 |
| Lift-slide fittings G.U-930/10 | 90 | 1900 |
| Lift-slide fittings G.U-930/5 | 90 | 1900 |
| Lift-tilt-slide fittings G.U-954 | 250 | 3000 |
| Lift-tilt-slide fittings G.U-957 | 150 | 2200 |

[1] The sash height must not exceed 2.5 times the sash width.

4.2 Hardware composition

The manufacturer's regulations concerning the composition of hardware are obligatory (for example the arrangement of exterior handles, the hardware layout for burglary resistant window and patio door sashes).

5. Product maintenance

Security relevant hardware components are to be examined at least once a year for stability and wear and tear. Depending on the requirements, the fixing screws are to be tightened and/or parts replaced. In addition to this, the following maintenance work is to be carried out annually:

- All movable parts and all locking points of the sliding hardware are to be greased and tested.
- Only cleaning and maintenance agents which do not damage the corrosion protection of the hardware components are to be used.

Hardware adjustments as well the replacement of parts are to be carried out by a specialist company.

6. Obligation to issue information and instructions

To fulfil the information and instruction obligations as well as the maintenance operations according to the "product liability law", the following documentation is made available:

- for planning engineers "planning documents"
- for authorized dealers "catalogues"
- for fabricators "installation instructions" and "assembly drawings"
- for builders and end users: "service and maintenance instructions" as well as "operating manuals".

In order to safeguard the function of sliding hardware for windows and patio doors:

- Planning engineers are obliged to request and comply with the manufacturers' or authorized dealers' product information.
- The authorized dealers are obliged to observe and request the product information from the manufacturer and to pass them on to the fabricators, in particular installation instructions, assembly drawings, service and maintenance instructions as well as operating manuals.
- Fabricators are obliged to observe the product information and in particular to request service and maintenance instructions as well as operating manuals from the manufacturer or authorized dealer and to pass them on to the builders and end users.

7. Applicability for related hardware

Related hardware with sliding rolls and locks – for example hardware for side-fold doors – is to be treated according to the corresponding valid features of product performance, product maintenance, specified use/application and misuse, product information and instruction obligations.

Lift-slide and lift-tilt-slide fittings for PVC windows and patio doors

Application

Range of applications for G.U lift-slide fittings:

- Lift-slide patio doors with 2 to 4 sashes
- Lift-slide windows with 2 to 4 sashes each with threshold and top guides.

Range of applications for G.U lift-tilt-sliding fittings:

- Lift-tilt-slide patio doors with 2 sashes
- Lift-tilt-slide windows with 2 sashes each with threshold and top guides.

Designs

Lift-sliding fittings G.U-934 K

Fittings for single sashes up to 300 kg, with 4-wheel carriages and clamp fixed connecting bar. Wheels made of fabric reinforced laminated plastic with ball bearing. Lift-locking gear with 37.5 and 27.5 mm backset and cylinder bore.

Lift-sliding fittings G.U-937 K

Fittings for single sashes up to 150 kg, with 4-wheel carriages and clamp fixed connecting bar. Wheels made of fabric reinforced laminated plastic with ball bearing. Lift-locking gear with 37.5 and 27.5 mm backset and cylinder bore.

Lift-tilt-sliding fittings G.U-954 K

Fittings for single sashes up to 250 kg, with 4-wheel carriages and clamp fixed connecting bar. Wheels made of fabric reinforced laminated plastic with ball bearing. Lift-locking gear with 37.5 and 27.5 mm backset and cylinder bore. The stay arms with adjustable pressure can be easily disconnected.

Handles

The DIRIGENT handles are made of aluminium with concealed fixings. Rosettes with robust retaining feature. Standard version: handles without cylinder bore. Handles with cylinder bore, handles for operation on both sides with cylinder bore and removable handles complete the programme.

Thresholds

G.U-thermostep

Threshold with thermal break for lift-slide and lift-tilt-slide elements of the frame material group 1:

- Subsequent exchange of running rail possible
- Modular system: tread threshold, various drip rails and running rails to be clipped on
- Identical basic profile for timber and PVC doors
- Anti moisture foil directly connected to the drip rail
- Various sash arrangement schemes

Top guides

Top guides P 903, P 1029

Aluminium gliding rails for lift-tilt-slide sashes. Application according to profile system.

Adaptation of fittings

The adaptation of lift-slide and lift-tilt-slide fittings to various profile systems is effected by means of special spacers and packings.

These components are contained in the tables "Fitting requirements". An illustration of system related spacers and detailed mounting instructions are to be found in the corresponding working drawing.

Standard colours

Lift-slide and lift-tilt-sliding fittings are supplied in the following standard colours:

| | |
|--------------|--|
| EV 1 | Visible aluminium parts anodised EV 1 |
| UC 5 | Visible aluminium parts anodised dark bronze |
| White | Visible aluminium parts white (RAL 9016), tubular sills anodized EV 1. |

Further colours and finishes on request.

Materials, surface sealing ferGUard*silver

The fitting parts are made of high quality steel, zinc die-casting and aluminium alloys.

According to the material they are protected against corrosion by the surface sealing ferGUard*silver, aluminium parts are anodised.

Standard surface sealing of lift-slide and lift-tilt-slide fittings: ferGUard*silver

Locking components and runners of lift-slide and lift-tilt-slide fittings come with the surface sealing ferGUard*silver.

Abbreviations

| | |
|-----|--|
| CAD | Assembly drawing |
| CB | Cylinder bore |
| FS | Fixed sash |
| G | Fixed gear position |
| K | Fittings for PVC windows and patio doors |
| lh | left hand |
| PU | Packing unit |
| rh | right hand |
| SC | Sasch clearance |
| SH | Sash height |
| ST | Sash thickness |
| SW | Sash width |
| TFW | Total frame width |

Profile system manufacturers' information

It is important to observe the product information issued by profile system manufacturers, especially information concerning construction and fabrication, maximum sash dimensions and weights and material features such as linear expansion of profiles.

Lift-slide fittings HS-Master for timber, PVC and aluminium patio doors

Application

HS-Master lift-slide fittings are applied:

- with lift-slide patio doors G.U-934 according to scheme A with HS-Master drive
- in domestic construction with high demands on operation
- with side entrances in projects frequented by the public, e.g. in gastronomy
- in buildings for the disabled where easy and safe operation is required
- in "barrier free construction"
- The installation in PVC and aluminium profiles requires sectional drawings of frame and sash profiles and must be clarified with G.U.



Design

Design and delivery

Compact drive unit made to measure in the following variants: HS-Master in

- Standard design for
 - operation via handle / "Push and go function"
 - operation via switch (push-button switch on site)

Optional design with additional equipment for

- operation via radio transmitter
- the installation of a light barrier set for safe use
- radio transmitter and light barrier set
- the installation of a light curtain for safe use
- radio transmitter and light curtain

Each variant requires a push-button switch on site.

Operation

Ease of operation

- Lifting and opening to the desired position as well as closing are effected by motor.
- Very simple operation.

Various modes of operation

- Via handle or push-button
- Via remote control
- Via radar sensor.

Safe operation

- As a standard, the HS-Master drive is equipped with load interruption.
- Due to an optional light barrier, the sliding door does not close as long as persons or objects – e.g. wheel chairs – are within the light barrier zone.
- An optional light curtain installed on the gear side controls the total height of the door and prevents it from closing, as soon as persons or objects are caught by the light. Obstacles are recognised via memory function.

Installation:

- inside: in the drive casing
- outside: in front of the sliding sash
- It is possible to operate the door by handle at any time (important in case of power failure).

Range of applications

- Scheme A
- Min. length HS-Master drive 1900 mm
- Sash width SW 950-3300 mm
- Sash height SH 1855-2540 mm
- Sash weight up to 300 kg

Handles

All handles of the lift-slide range can be used.

Retrofitting of lift-slide patio doors

Lift-slide units already installed can be retrofitted with HS-Master. It only takes the following measures:

- The tilt-locking gear must be exchanged.
- Units with G.U-933 runners must be retrofitted with runners of the new lift-slide system G.U-934.

The newly developed sealing ferGUard* silver sets the standard

Surface coating free of chromate providing optimum corrosion protection = ferGUard

- Over the years, plaster, cement, paint and cleaning detergents considerably affect the surface of builder's hardware. Possible consequence: claims
- Due to the surface sealing ferGUard* silver, damage through corrosion involving reclamation is reliably prevented. The finish ferGUard* silver consists of a new combined coating (zinc + passivation without hexavalent chromium + additional coating) of superior anti-corrosive qualities.
- The coats are applied without organic components, heavy metals and hexavalent chromium; that is, the new surface sealing ferGUard* silver is environment-friendly and up to date.
- Another advantage: The new finish ferGUard* silver produces an impressively even, silvery finish on the fitting parts: A new, additional sales argument with your customers.

How does the additional coating work?

As before, the fitting parts are protected by a zinc coat with succeeding yellow passivation (method: zinc + standard chromizing). The new additional coat was developed in cooperation with leading suppliers of chemical engineering and with the automotive industry. After the usual treatment, the fitting components are covered with an inorganic coat in an additional procedure. This process step is carried out on a fully automatic and computer controlled production line. The additional coat deeply permeates into the passivated coat, sealing the whole component firmly and permanently. Special corrosion inhibitors additionally retard the beginning of corrosion.

All in all, the new **G.U finish** offers to dealers, manufacturers and customers a large variety of **advantages**:

- Considerably improved corrosion protection due to additional coating.
- Longer product life of windows and doors.
- Without organic components and heavy metals, the new G.U finish is environment-friendly and up to date.
- If there is mechanic damage to the surface or if a component is cut (e.g. forend cut to length), the blank spot will not corrode due to the sacrificial protective effect of the zinc coat.
- Fewer customer claims due to a finish more resistant against detergents and household chemicals than others.
- Even, silvery finish of fitting parts throughout our complete product range.
- Complying with the environmental regulations of the EC, our newly developed coating system ferGUard* silver does not contain hexavalent chromium.

Lift-slide and lift-tilt-slide fittings for PVC windows and patio doors

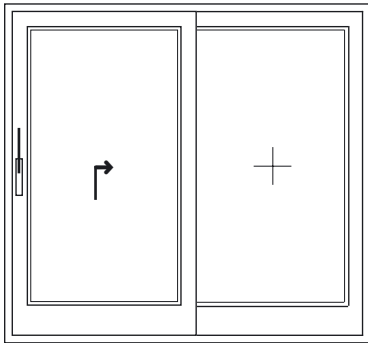
Application

| Profile system ^[1] | Sash arrangement Scheme ^[2] | | | | | Fittings | Threshold | Top guide | Frame profile | Sash profile | Standard assembly drawing |
|----------------------------------|--|---|---|---|---|------------------------|----------------------------------|-----------|------------------|------------------|---------------------------|
| | A | C | D | F | G | | | | | | |
| Aluplast Ideal 4000 | • | • | • | • | • | G.U-934 K G.U-954 K | G.U-thermostep G.U-thermostep | | HZ 703 HZ 703 | HF 704 HF 704 | 0-44379 0-44398 |
| Deceuninck | • | | | | | G.U-934 K | G.U-thermostep | | P 1480 | P 1481 | |
| Gealan 8000 | • | • | • | • | • | G.U-934 K | G.U-thermostep | P 903 | 8360 | 8393 | 0-44368 |
| Kö-Profine EuroFutur / PremiDoor | • | • | • | • | • | G.U-934 K | G.U-thermostep | | 2870 | 2420 | 0-44420 |
| Profex | • | • | • | • | • | G.U-937 K | | | 2600 | 2641 | 0-44345 |
| Rehau Brillant Design | • | • | • | • | • | G.U-934 K | G.U-thermostep | | 565550 | 565040 | 0-44315 |
| Roplasto 4001 | • | • | • | • | • | G.U-934 K | G.U-thermostep | | 730 100 | 731 000 | |
| Salamander iD | • | • | • | • | • | G.U-934 K G.U-954 K | G.U-thermostep G.U-thermostep | | 68552 68553 | 68551 68551 | 0-44387 |
| Schüco Corona CT 70 | • | • | • | • | • | G.U-934 K G.U-954 K | G.U-thermostep G.U-thermostep | | 1956 1956 | 1955 1955 | 0-44292 |
| Thyssen AD | • | • | • | • | • | G.U-934 K G.U-954 K | G.U-thermostep G.U-thermostep | P 1029 | HS 1 HS 1 | HS 20 HS 20 | 0-44405 |
| Veka Softline 58 | • | • | • | • | • | G.U-934 K | G.U-thermostep | | 105.021 | 105.093 | 0-44381 |
| Veka Softline 70 | • | • | • | • | • | G.U-934 K | G.U-thermostep | | 105.220 | 105.234 | 0-44383 |
| Veka Topline | • | • | • | • | • | G.U-934 K | G.U-thermostep | | 105.220 | 105.203 | 0-44383 |
| Wymar | • | • | • | • | • | G.U-937 K | | | 2600 | 2641 | 0-44346 |

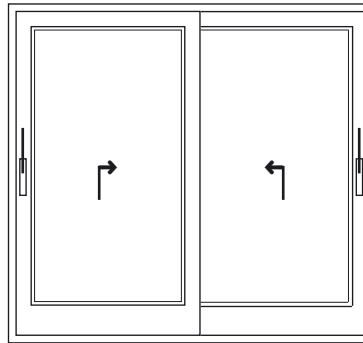
[1] Further profile systems on request.

[2] The ordering pages of this catalogue show the fittings for schemes A and C. Fitting requirements for schemes D, F and G on request.

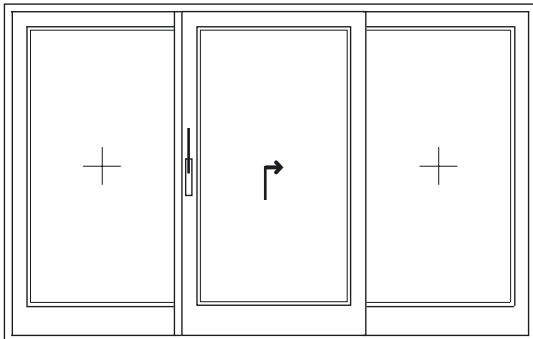
Lift-slide fittings – sash arrangement according to schemes A to H [1]



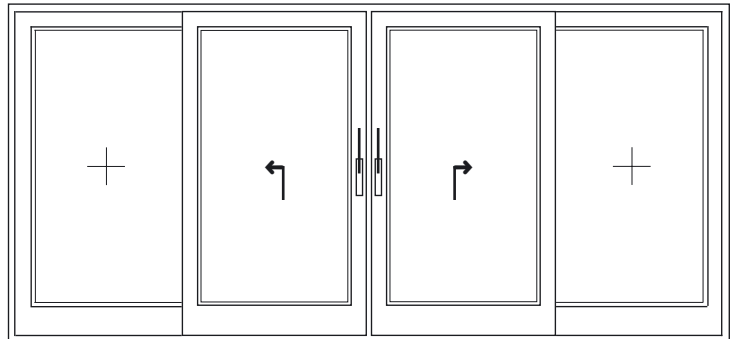
Scheme A
1 lift-slide door, 1 fixed glazing
Drawing shows left hand fittings



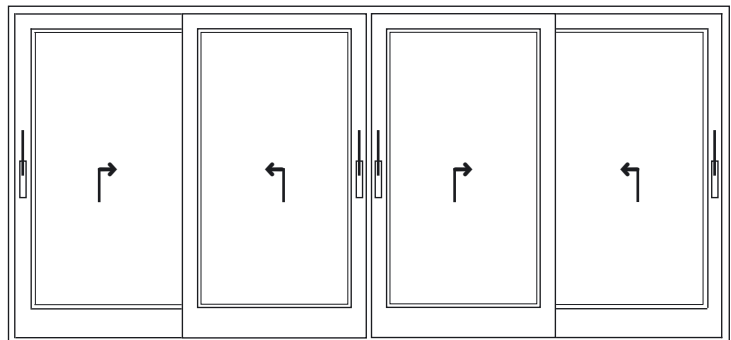
Scheme D
2 lift-slide doors
Drawing shows left hand and right hand fittings



Scheme G
1 lift-slide door, 2 fixed glazing
Drawing shows left hand fittings

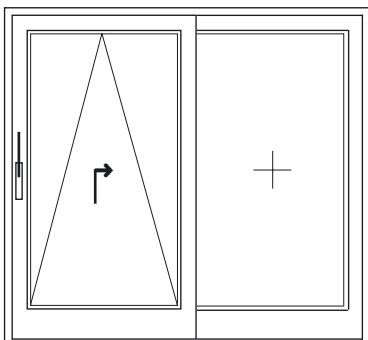


Scheme C
2 lift-slide doors, 2 fixed glazings
Drawing shows left hand and right hand fittings



Scheme F
4 lift-slide doors
Drawing shows left hand and right hand fittings

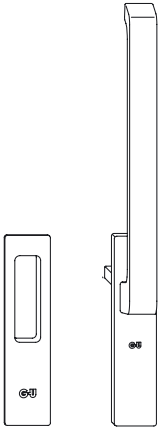
Lift-tilt-slide fittings – sash arrangement according to scheme A



Scheme A
1 lift-tilt-slide door, 1 fixed glazing
Drawing shows left hand fittings

[1] = The ordering pages of the catalogue show the fittings for schemes A and C. Fitting requirements for schemes D, F and G on request.

Handles DIRIGENT – Aluminium

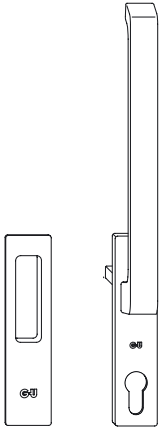


1 handle DIRIGENT inside,
without cylinder bore
1 flush pull

Lift-slide fittings
Handle inside – G.U-934/937 K
DIRIGENT, without cylinder bore
Sash thickness up to 80 mm,
adjustable spindle length
6-24608-00-0-*

Lift-tilt-slide fittings
Handle inside – G.U-954/957 K
DIRIGENT, without cylinder bore
Sash thickness up to 80 mm,
adjustable spindle length
6-24613-00-0-*

Flush pull
9-29526-00-0-*

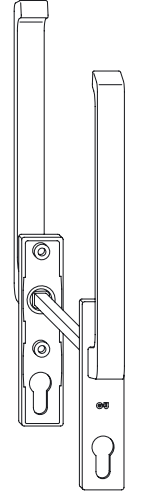


1 handle DIRIGENT inside
with cylinder bore
1 flush pull

Lift-slide fittings
Handle inside – G.U-934/937 K
DIRIGENT with cylinder bore
Sash thickness up to 80 mm,
adjustable spindle length
6-24609-00-0-*

Lift-tilt-slide fittings
Handle inside – G.U-954/957 K
DIRIGENT with cylinder bore
Sash thickness up to 80 mm,
adjustable spindle length
6-24614-00-0-*

Flush pull
9-29526-00-0-*

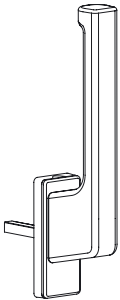


1 handle DIRIGENT
on both sides
with cylinder bore

Lift-slide fittings
Handle on both sides – G.U-934/937 K
DIRIGENT with cylinder bore
Sash thickness up to 90 mm,
adjustable spindle length
6-24615-96-0-*

Lift-tilt-slide fittings
Handle on both sides – G.U-954/957 K
DIRIGENT with cylinder bore
Sash thickness up to 90 mm,
adjustable spindle length
6-24616-96-0-*

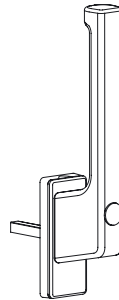
Handles DIRIGENT HL for light units



Lift-slide fittings
Handle inside – G.U-934/937
DIRIGENT HL, not lockable
Sash thickness up to 56 mm
Detent 180°
6-31809-37-0-*

Bag of handle adapter
Contents:
1 screw-on disc
1 adapter sleeve
2 screws
K-16554-01-0-1

Application:
For sash weights up to 120 kg

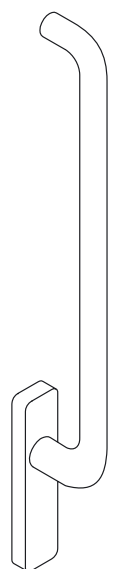


Lift-slide fittings
Handle inside – G.U-934/937
DIRIGENT HL, lockable
Sash thickness up to 56 mm
Detent 180°
6-31810-37-0-*

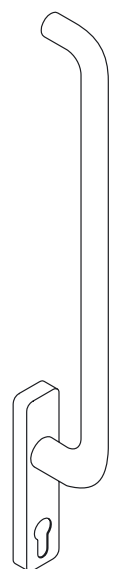
Bag of handle adapter
Contents:
1 screw-on disc
1 adapter sleeve
2 screws
K-16554-01-0-1

Application:
For sash weights up to 120 kg

Handles RONDO, elongated – Stainless steel

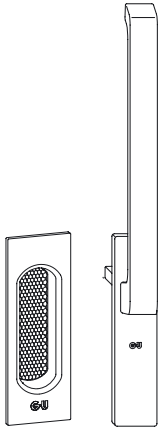


Lift-slide fittings
Handle inside – G.U-934/937
RONDO, without cylinder bore
Sash thickness 68 mm
6-29594-40-0-8



Lift-slide fittings
Handle inside – G.U-934/937
RONDO with cylinder bore
Sash thickness 68 mm
6-29593-40-0-8

Handles DIRIGENT – Stainless steel

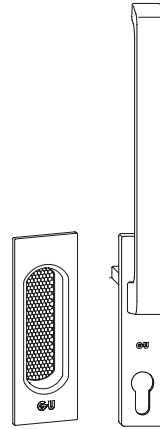


1 handle DIRIGENT inside,
without cylinder bore
1 flush pull

Lift-slide fittings
Bag of handle inside – G.U-934/937 K
DIRIGENT, without cylinder bore
Sash thickness 68 mm
K-16804-00-0-8

Lift-tilt-slide fittings
Handle inside – G.U-954/957 K
DIRIGENT, without cylinder bore
Sash thickness 68 mm
K-16867-00-0-8

Flush pull
9-42539-01-0-8

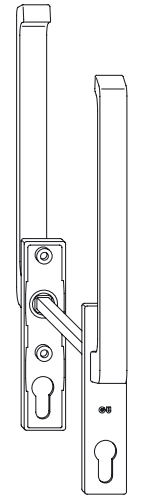


1 handle DIRIGENT inside,
with cylinder bore
1 flush pull

Lift-slide fittings
Bag of handle inside – G.U-934/937 K
DIRIGENT with cylinder bore
Sash thickness up to 80 mm,
adjustable spindle length
K-16805-00-0-8

Lift-tilt-slide fittings
Bag of handle inside – G.U-954/957 K
DIRIGENT with cylinder bore
Sash thickness up to 80 mm,
adjustable spindle length
K-16865-00-0-8

Flush pull
9-42539-01-0-8

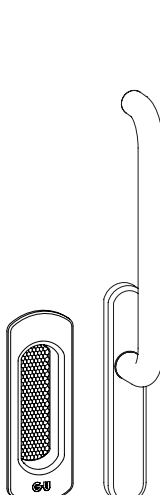


1 handle DIRIGENT
on both sides
with cylinder bore

Lift-slide fittings
Bag of handle on both sides – G.U-934/937 K
DIRIGENT with cylinder bore
Sash thickness up to 90 mm,
adjustable spindle length
K-16795-00-0-8

Lift-tilt-slide fittings
Bag of handle on both sides – G.U-954/957 K
DIRIGENT with cylinder bore
Sash thickness up to 90 mm,
adjustable spindle length
K-16861-00-0-8

Handles RONDO – Stainless steel

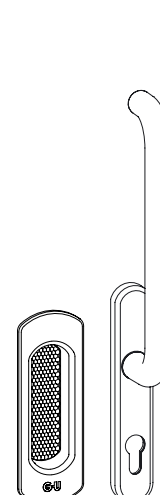


1 handle RONDO inside,
without cylinder bore
1 flush pull

Lift-slide fittings
Bag of handle inside – G.U-934/937 H
RONDO, without cylinder bore
Sash thickness 68 mm
K-16807-00-0-8

Lift-tilt-slide fittings
Handle inside – G.U-954/957 H
RONDO, without cylinder bore
Sash thickness 68 mm
K-16868-00-0-8

Flush pull
9-39035-01-0-8

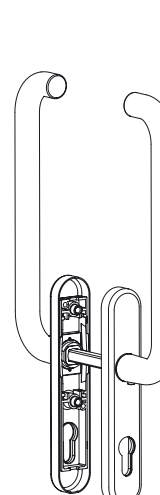


1 handle RONDO inside,
with cylinder bore
1 flush pull

Lift-slide fittings
Bag of handle inside – G.U-934/937 H
RONDO with cylinder bore
Sash thickness up to 80 mm,
adjustable spindle length
K-16808-00-0-8

Lift-tilt-slide fittings
Bag of handle inside – G.U-954/957 H
RONDO with cylinder bore
Sash thickness up to 80 mm,
adjustable spindle length
K-16866-00-0-8

Flush pull
9-39035-01-0-8



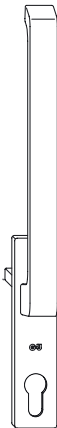
1 handle RONDO
on both sides
with cylinder bore

Lift-slide fittings
Bag of handle on both sides – G.U-934/937 H
RONDO with cylinder bore
Sash thickness up to 90 mm,
adjustable spindle length
K-16798-00-0-8

Lift-tilt-slide fittings
Bag of handle on both sides – G.U-954/957 H
RONDO with cylinder bore
Sash thickness up to 90 mm,
adjustable spindle length
K-16864-00-0-8


Handles DIRIGENT – Polished brass

DIRIGENT Se

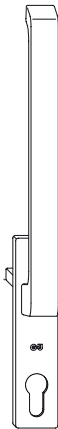


Lift-slide fittings
Handle inside – G.U-934/937
 DIRIGENT, without cylinder bore
 Sash thickness up to 80 mm,
 adjustable spindle length
 6-26728-01-0-3

Lift-tilt-slide fittings
Handle inside – G.U-954/957
 DIRIGENT, without cylinder bore
 Sash thickness up to 80 mm,
 adjustable spindle length
 6-26729-01-0-3




Flush pull
 9-34957-00-0-3

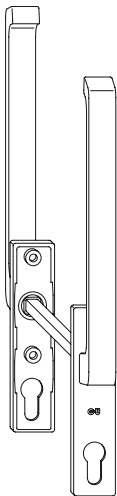


Lift-slide fittings
Handle inside – G.U-934/937
 DIRIGENT with cylinder bore
 Sash thickness up to 80 mm,
 adjustable spindle length
 6-26728-02-0-3

Lift-tilt-slide fittings
Handle inside – G.U-954/957
 DIRIGENT with cylinder bore
 Sash thickness up to 80 mm,
 adjustable spindle length
 6-26729-02-0-3




Flush pull
 9-34957-00-0-3

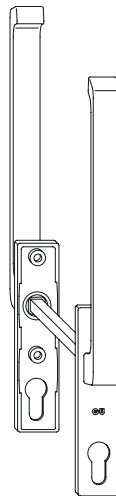


Lift-slide fittings
Handle on both sides – G.U-934/937
 DIRIGENT with cylinder bore
 Sash thickness up to 90 mm,
 adjustable spindle length
 6-26731-00-0-3

Lift-tilt-slide fittings
Handle on both sides – G.U-954/957
 DIRIGENT with cylinder bore
 Sash thickness up to 90 mm,
 adjustable spindle length
 6-26732-00-0-3




Countersunk screw M 6
 Sash thickness 45-90 mm
 9-32789-10-0-1




Lift-slide fittings
Handle on both sides – G.U-934/937
 DIRIGENT Se with cylinder bore
 Sash thickness up to 90 mm,
 adjustable spindle length
 6-24617-96-0-*

Lift-tilt-slide fittings
Handle on both sides – G.U-954/957
 DIRIGENT Se with cylinder bore
 Sash thickness up to 90 mm,
 adjustable spindle length
 6-24618-96-0-*



Flush pull Se
 9-29622-00-0-*



Countersunk screw M 6
 Sash thickness 45-90 mm
 9-32789-10-0-1

Lift-slide fittings G.U-934/937 K Lift-tilt-slide fittings G.U-954/957 K

| | | | | | | |
|--|---|--|--|--|--|--|
| | | | | | | |
| Removable handle DIRIGENT 6-24619-00-0-* | Rosette inside without cylinder bore 6-23243-01-0-* | Rosette inside with cylinder bore 6-23243-02-0-* | Flush pull 9-29526-00-0-* | Rosette outside 9-29527-00-0-* | Anti-drill escutcheon for lift-locking gear 934 9-41309-02-0-0 937 9-41309-01-0-0 AD 0-44187 | Countersunk screw M 6 ST 45-90 mm 9-32789-10-0-1 |
| | | | | | | |
| Bag of vertical middle lock K-11864-00-0-1 | Bag of magnetic switch K-16752-00-0-0 (for monitoring of locking status) | Countersunk screw M 6 for handle on both sides – length depending on profile system | M 6 x 65 9-13274-65-0-3 Eurodur 3S EuroFutur | M 6 x 70 9-13274-70-0-3 Aluplast Ideal 4000 Gealan 3000 Gealan 8000 Rehau S 730 Rehau S 785 Thyssen AD Trocal 900 Veka Softline Veka Topline | M 6 x 75 9-13274-75-0-3 Deceuninck | M 6 x 80 9-13274-80-0-3 Roplasto Salamander iD Schüco Corona CT 70 |

Lift-slide fittings G.U-934/937 K



Bag of meeting stile gasket HS

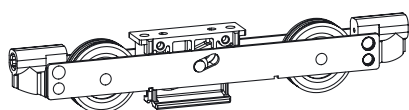
| Description | Sash clearance SC mm | Length L mm | Article No. |
|-------------|----------------------|-------------|----------------|
| HS 25/29 WK | 25 - 29 | 2400 | K-15799-24-0-* |
| HS 25/29 WK | 25 - 29 | 2900 | K-15799-29-0-* |
| HS 16/20 WK | 16 - 20 | 2400 | K-15798-24-0-* |
| HS 16/20 WK | 16 - 20 | 2900 | K-15798-29-0-* |
| HS 10 WK | 10 | 2400 | K-15797-24-0-* |
| HS 10 WK | 10 | 2900 | K-15797-29-0-* |

Bag of extension for meeting stile gasket HS

| Description | Sash clearance SC mm | Length L mm | Article No. |
|-------------|----------------------|-------------|----------------|
| HS 25/29 WK | 25 - 29 | 500 | K-16857-00-0-* |
| HS 16/20 WK | 16 - 20 | 500 | K-16856-00-0-* |
| HS 10 WK | 10 | 500 | K-16855-00-0-* |

AD 0-44188

Middle runner for lift-slide fittings G.U-934 K – Sash up to 400 kg



Middle runner
6-30016-01-0-1

Quantity required:
2 pcs. per sliding sash
2 rods Ø 8 mm, length 65 mm
(to be cut from connecting rod 9-25476-**-0-1)
AD 0-44455

Note:
It is important to observe the product information issued by profile system manufacturers, especially information concerning construction and fabrication, maximum sash dimensions and weights and material features such as linear expansion of profiles.

Packings for runner G.U-934 K, G.U-937 K, G.U-954 K

| Description | Depth mm | Runner, front Article No. | Runner, rear Article No. |
|-------------|----------|---------------------------|--------------------------|
| Packing | 1,0 | 9-41680-00-0-1 | 9-41681-00-0-1 |
| Packing | 2,0 | 9-41680-02-0-1 | 9-41681-02-0-1 |
| Packing | 5,0 | 9-41680-05-0-1 | 9-41681-05-0-1 |
| Packing | 6,0 | 9-41680-06-0-1 | 9-41681-06-0-1 |

Lift-slide fittings G.U-934/937 K



Cover rail extension
9-28483-05-0*



Gear extension
6-32030-00-0*



Cover disc
9-09961-00-0*



Sleeve
9-09962-00-0*

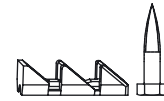


Countersunk sheet metal screw for cover disc – length depending on profile system

3,9 x 13
9-13132-13-0*

Aluplast Ideal 4000
Deceuninck
Eurodur 3S
EuroFutur
Gealan 3000
Gealan 8000
Rehau S 730
Rehau S 785
Roplasto
Schüco Corona CT 70
Thyssen AD
Trocal 900
Veka Softline
Veka Topline

3,9 x 25
9-13132-25-0*
Salamander iD

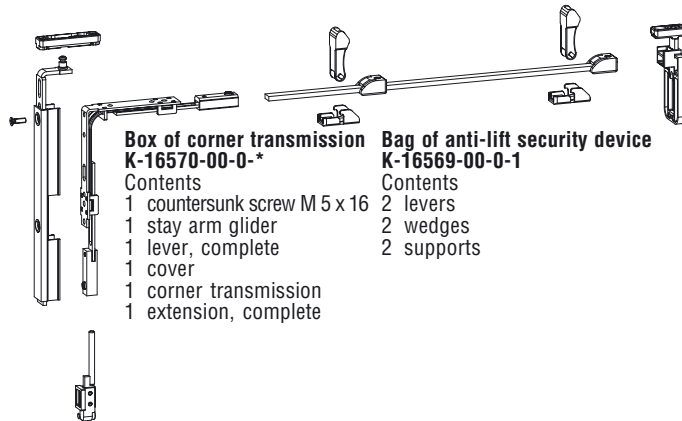


Bag of bottom keeper with hexagonal screw for slit ventilation
K-11929-00-0-1



Tension spring for sashes > 200 kg
9-40235-05-0-0
AD 0-44305

Anti-lift security for lift-slide fittings G.U-934 K



Box of corner transmission
K-16570-00-0*

Contents
1 countersunk screw M 5 x 16
1 stay arm glider
1 lever, complete
1 cover
1 corner transmission
1 extension, complete

Bag of anti-lift security device
K-16569-00-0-1

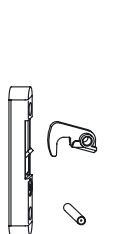
Contents
2 levers
2 wedges
2 supports

Fitting requirements according to size of sashes for schemes A to G

| Quantity | | Description | PU | Article No. |
|----------|-------|----------------------------------|------|------------------|
| A | C D G | | | |
| 1 | 2 2 1 | Box of corner transmission | 1 | K-16570-00-0* |
| 1 | 2 2 1 | Bag of anti-lift security device | 1 | K-16569-00-0-1 |
| 1 | 2 2 1 | Rear guide | 1 | 6-23297-00-0-0 |
| 1 | 2 2 1 | Connecting bar P 959 | | |
| | SW | Length | | |
| | | 600-1220 | 1000 | 1 9-28355-10-0-1 |
| | | 1221-1720 | 1500 | 1 9-28355-15-0-1 |
| | | 1721-2020 | 1800 | 1 9-28355-18-0-1 |
| | | 2021-3000 | 2600 | 1 9-28355-26-0-1 |

AD 0-44267

Lift-tilt-slide fittings G.U-954 K



Bag of middle lock for gear
K-12058-00-0-1



Tension spring for sashes > 200 kg
9-40235-05-0-0
AD 0-44305



Bag of anti-lift security device
K-16569-00-0-1

Contents
2 levers
2 wedges
2 supports

Fitting requirements according to size of sashes for schemes A to G

| Quantity | | Description | PU | Article No. |
|----------|-----|----------------------------------|----|----------------|
| A | G K | | | |
| 1 | 1 2 | Bag of anti-lift security device | 1 | K-16569-00-0-1 |

AD 0-44267

Thresholds



Wall tie
9-40086-00-0-1



Extension P 1051
9-27968-67-0*



Gasket P 859
W-751018

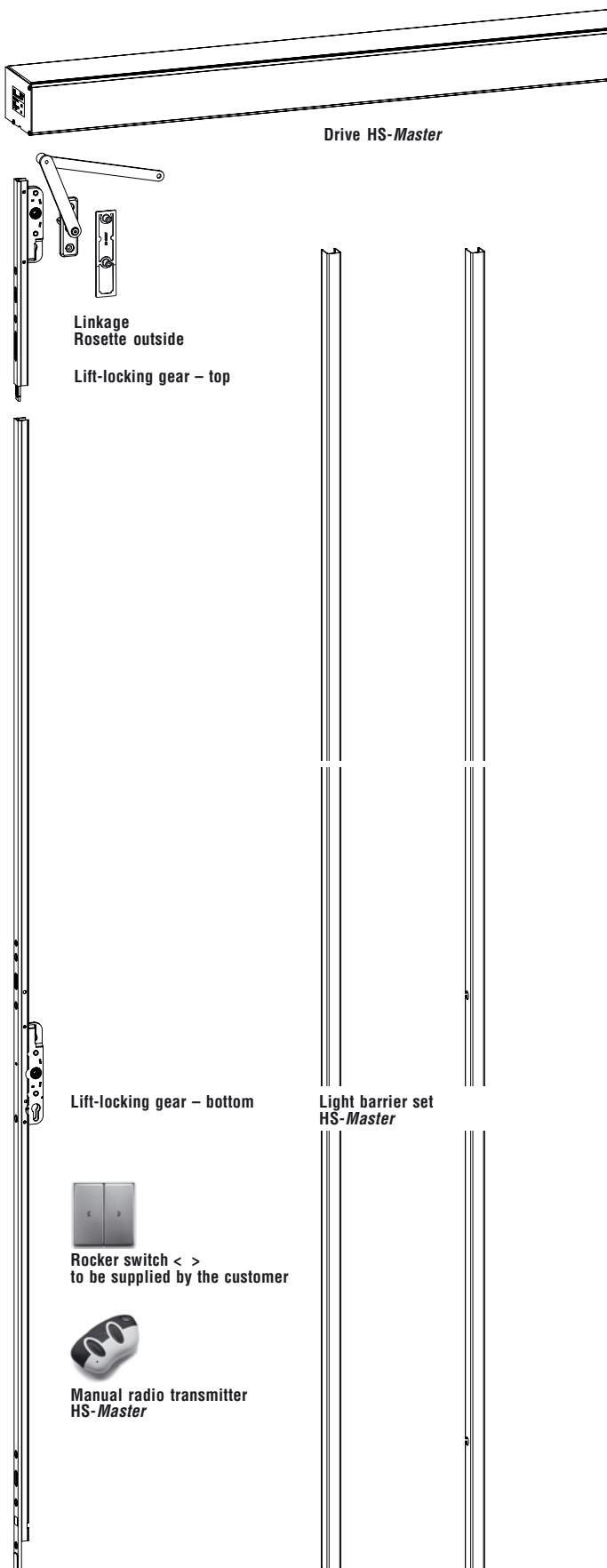


Running rail, high
P 432 3500 mm
9-09547-35-0-1
Connection to fixed sash



Compensation rail
42 x 4 x 3000 mm
9-23382-30-0-0
Connection to fixed sash

for lift-slide fittings G.U-934 – sash clearance 28 and 10 mm, guides P 903, P 739, P 740



Lift-slide fittings HS-Master

Fitting requirements for scheme A

| Qty. | Description | PU | Article No. |
|------|-------------|----|-------------|
|------|-------------|----|-------------|

I. Drive HS-Master – standard version

| | | | |
|---|--|---|------------------|
| 1 | Drive HS-Master [1] Standard version for – operation via handle / "Push and go function" – operation via rocker switch (switch supplied by customer) Manufacture according to order specification | 1 | 6-32205-98-L/R-* |
|---|--|---|------------------|

alternatively:

| | | | |
|---|--|---|------------------|
| 1 | Drive HS-Master [1] same as standard version, but additionally prepared for operation via manual radio transmitter (radio receiver and 1 transmitter installed – further transmitters as accessories) | 1 | 6-32654-98-L/R-* |
|---|--|---|------------------|

II. Drive HS-Master with light barrier set

| | | | |
|---|--|---|------------------|
| 1 | Drive HS-Master [1] same as standard version, but additionally prepared for installation of light barrier set | 1 | 6-32650-98-L/R-* |
|---|--|---|------------------|

alternatively:

| | | | |
|---|---|---|------------------|
| 1 | Drive HS-Master [1] same as standard version, but additionally prepared for operation via manual radio transmitter (radio receiver and 1 transmitter installed – further transmitters as accessories) and for installation of light barrier set | 1 | 6-32651-98-L/R-* |
|---|---|---|------------------|

| | | | |
|---|------------------------------------|---|----------------|
| 1 | Light barrier set HS-Master | 1 | K-16772-00-0-* |
|---|------------------------------------|---|----------------|

Contents:

- 1 light barrier rail, lh
- 1 light barrier rail, rh
- 2 light barrier – transmitter
- 2 light barrier – receiver
- 8 guides

III. Drive HS-Master with light curtain

| | | | |
|---|---|---|------------------|
| 1 | Drive HS-Master [1] same as standard version, but additionally prepared for installation of light curtain inside | 1 | 6-32652-98-L/R-* |
|---|---|---|------------------|

alternatively:

| | | | |
|---|--|---|------------------|
| 1 | Drive HS-Master [1] same as standard version, but additionally prepared for operation via manual radio transmitter (radio receiver and 1 transmitter installed – further transmitters as accessories) and for installation of light curtain inside | 1 | 6-32653-98-L/R-* |
|---|--|---|------------------|

| | | | |
|---|--|---|----------------|
| 1 | Light curtain HS-Master – outside | 1 | 6-32640-00-0-0 |
|---|--|---|----------------|

Components generally required with versions I, II and III

| | | | |
|---|---|---|----------------|
| 1 | Box of linkage HS-Master [1] Contents: 1 linkage 1 rosette outside 1 fixing material | 1 | K-16750-00-0-* |
|---|---|---|----------------|

| | | | |
|---|---|---|----------------|
| 1 | Box of lift-locking gear HS-Master Sash height SH for P 903 = 1855-2540 mm Sash height SH for P 740 = 1840-2525 mm Contents: 1 lift-locking gear HS-Master, top 1 lift-locking gear HS-Master, bottom 1 connecting bar 1 drilling jig | 1 | K-16748-00-0-1 |
|---|---|---|----------------|

1 Lift-slide fittings G.U-934

without lift-locking gear –
see catalogue pages 5.17 and the following

[1]* Colour: 1 = EV 1, 5 = UC 5, 7 = white

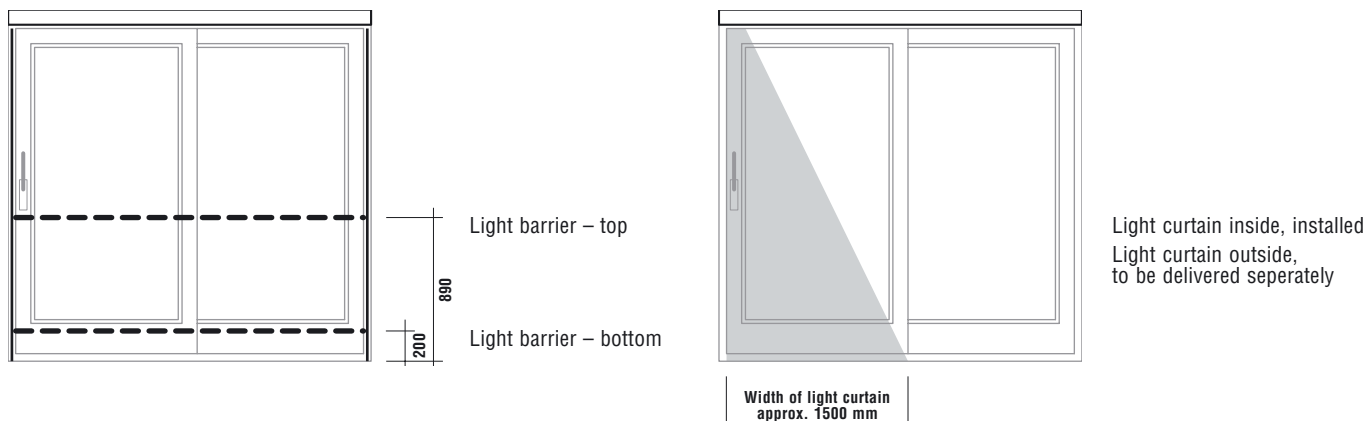
Accessories for HS-Master

Fitting requirements for scheme A

| Qty. | Description | Colour | PU | Article No. |
|------|--|--|----|--|
| 1* | Manual radio transmitter HS-Master with G.U specific coding for HS-Master with radio receiver | grey-blue grey-burgundy grey-anthrazit grey-red | 1 | 6-32264-01-0-0 6-32264-02-0-0 6-32264-03-0-0 6-32264-04-0-0 |
| 1 | Radio receiver card HS-Master | | 1 | 6-32267-00-0-0 |
| 2 | Radar sensor HS-Master | | 1 | A-7032830 |
| 1 | Rocker switch <> – to be supplied by the customer Make: JUNG 535 U or equivalent | | | |

* = min. 1 units, max. 85 units possible

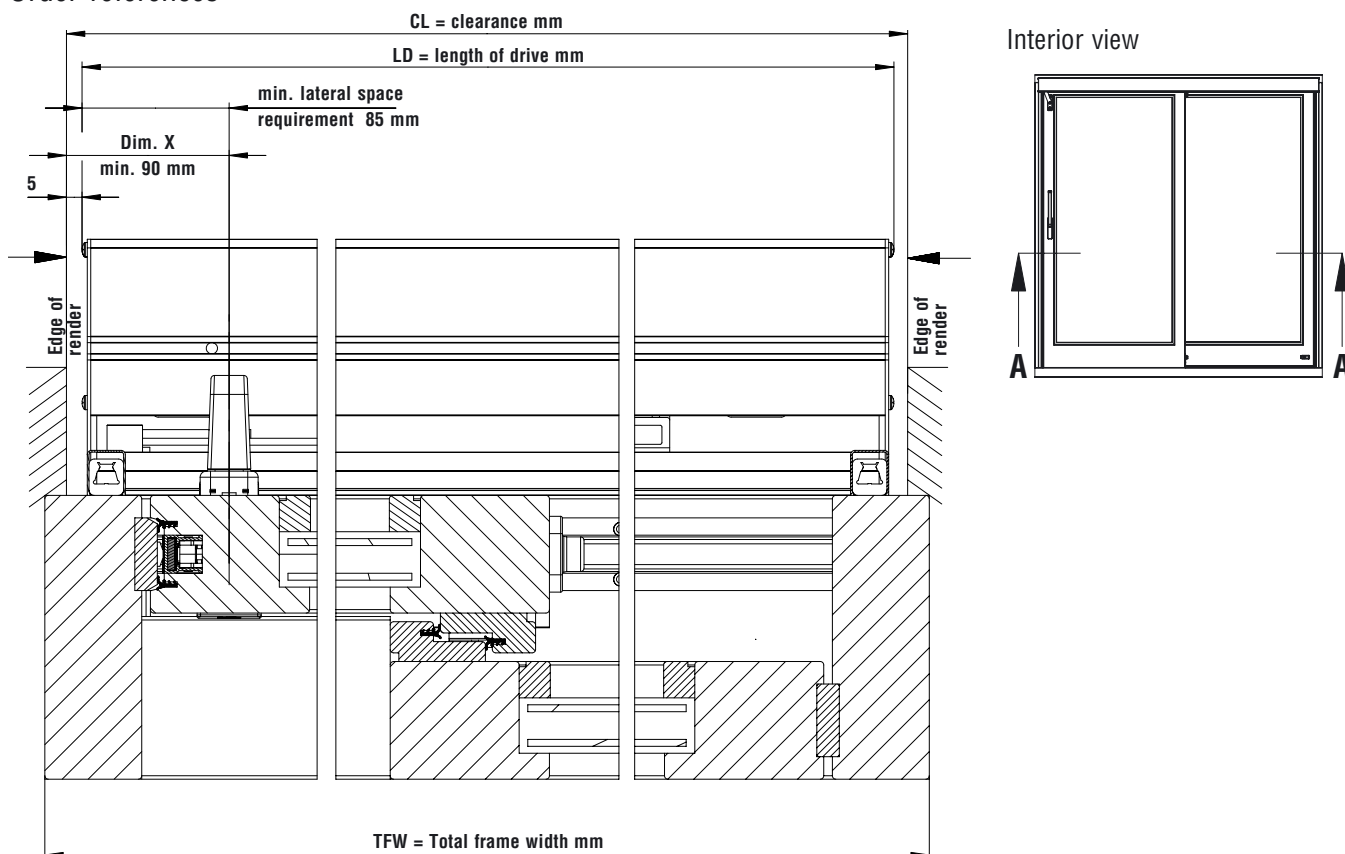
Security functions



Safe operation with light barrier

Safe operation of HS-Master with light curtain
Inside curtain installed, outside curtain delivered separately

Order references

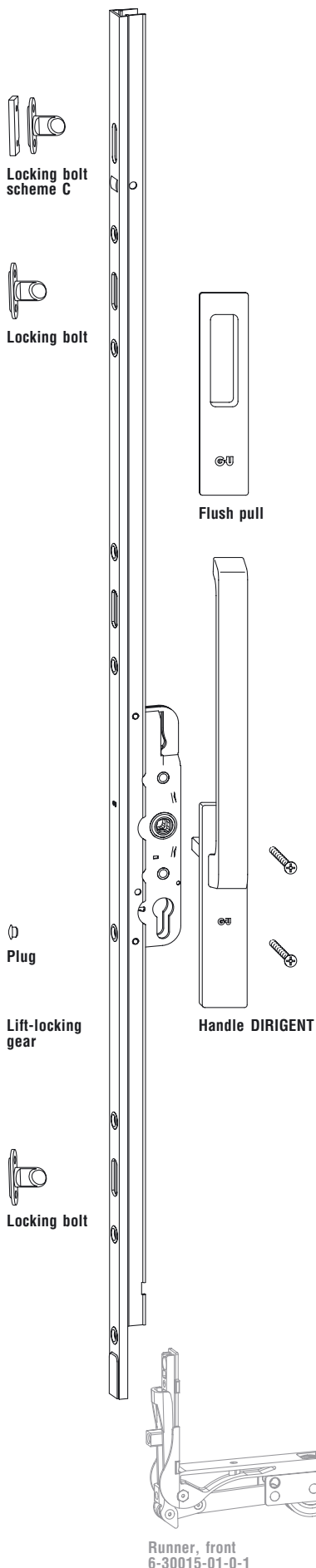


Section A – A

| Description | | Dimensions mm |
|--------------------|-------|---------------|
| Length of drive | LA = | |
| Dim. X (min. 90) | X = | |
| Position of handle | | [] lh [] rh |
| Clearance | CL = | |
| Total frame width | TFW = | |
| Sash width | SW = | |
| Sash height | SH = | |

| Specification of profile | |
|--------------------------|--|
| Manufacturer | |
| Profile series | |

Lift-slide fittings G.U-934 K according to profile system



Fitting requirements according to size of sashes for schemes A and C

| Qty. | Ref. | Description | PU | Aluplast Ideal 4000 | Deceuninck | EuroFutur / PremiDoor |
|--|------|---|----------------|---------------------|----------------|-----------------------|
| A | C | dim. | | | | |
| 1 | 2 | Box of runners – G.U-934/954 | 1 | K-16488-00-0-1 | K-16488-00-0-1 | K-16488-00-0-1 |
| 1 | 2 | Additional box G.U-934 K | 1 | K-16626-00-0-0 | K-16630-00-0-0 | K-16728-00-0-0 |
| alternatively: Additional box G.U-934 K [6] | | | | | | |
| 1 | 2 | Handle DIRIGENT [1] | 1 | 6-24608-00-0-* | K-13265-00-0-* | 6-24606-00-0-* |
| 1 | 2 | Flush pull [1] | 1 | 9-29992-01-0-* | | 9-29526-00-0-* |
| 1 | 2 | SH Lift-locking gear G.U-934 [1] [7] | | | | |
| | | Length G [5] | Article No. | SH | SH | SH |
| | | 1190 ~ 410 | 6-30021-11-0-* | 10 865-1285 | 822-1242 | 865-1285 |
| | | 1770 ~ 410 | 6-30021-19-0-* | 10 1235-1865 | 1192-1822 | 1235-1865 |
| | | 2270 ~1010 | 6-30021-24-0-* | 10 1865-2365 | 1822-2322 | 1865-2365 |
| | | 2670 ~1010 | 6-30021-28-0-* | 10 2115-2765 | 2072-2722 | 2115-2765 |
| 1 | 2 | SW Connecting bar Ø 8 | | | | |
| | | Length G | Article No. | SH | SH | SH |
| | | 1100 | 9-25476-11-0-1 | 1 700-1600 | 700-1600 | 700-1600 |
| | | 1350 | 9-25476-14-0-1 | 1 1601-1850 | 1601-1850 | 1601-1850 |
| | | 1850 | 9-25476-18-0-1 | 1 1851-2350 | 1851-2350 | 1851-2350 |
| | | 3300 | 9-25476-33-0-1 | 1 2351-3300 | 2351-3300 | 2351-3300 |
| 1 | 1 | TFW G.U-thermostep basic profile [2] | 1 | 6-29938-**-0-* | 6-29938-**-0-* | 6-29938-**-0-* |
| 1 | 1 | TFW Box of tread threshold [1] | 1 | K-15877-**-0-* | K-15655-**-0-* | K-15877-**-0-* |
| 1 | 2 | FS Box of rail for fixed sash A [3] | 1 | K-16395-**-0-* | K-16648-**-0-* | K-17064-**-0-* |
| 1 | 1 | TFW Anti moisture foil, 50 m | 1 | 9-39737-25-0-6 | 9-39737-25-0-6 | 9-39737-25-0-6 |
| 1 | 1 | m Wall tie [4] | 1 | 9-40086-00-0-1 | 9-40086-00-0-1 | 9-40086-00-0-1 |

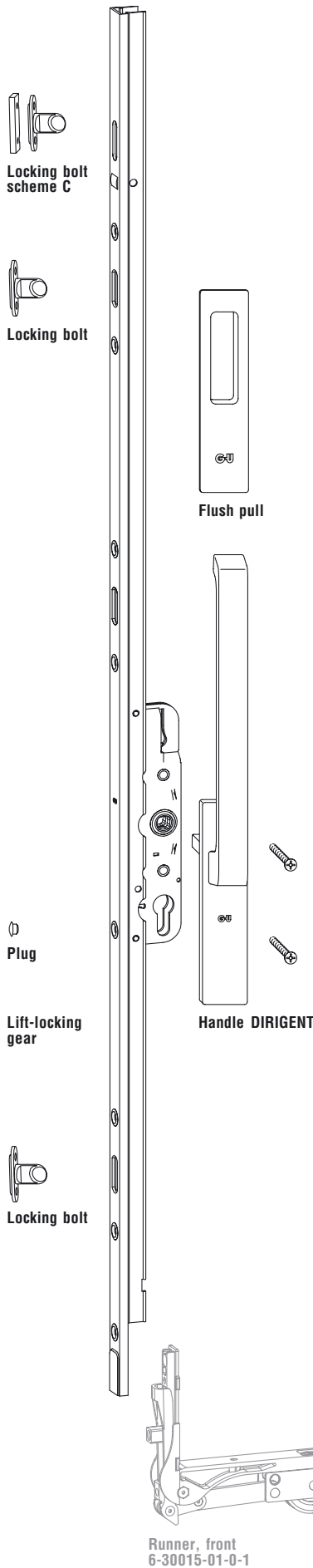
Fitting requirements according to size of sashes for schemes A and C

| Qty. | Ref. | Description | PU | Gealan S 8000 | Rehau Brillant Design | Roplasto 4001 |
|------|------|---|----------------|------------------|-----------------------|----------------|
| A | C | dim. | | | | |
| 1 | 2 | Box of runners – G.U-934/954 | 1 | K-16488-00-0-1 | K-16488-00-0-1 | K-16488-00-0-1 |
| 1 | 2 | Additional box G.U-934 K | 1 | K-16778-00-0-0 | K-16744-00-0-0 | K-16778-00-0-0 |
| 1 | 2 | Handle DIRIGENT [1] | 1 | 6-24606-00-0-* | 6-24608-00-0-* | 6-24606-00-0-* |
| 1 | 2 | Flush pull [1] | 1 | 9-29992-01-0-* | 9-29992-01-0-* | 9-29992-01-0-* |
| 1 | 2 | SH Lift-locking gear G.U-934 [1] [7] | | | | |
| | | Length G [5] | Article No. | SH | SH | SH |
| | | 1190 ~ 410 | 6-30021-11-0-* | 10 859-1279 | 798-1218 | 859-1279 |
| | | 1770 ~ 410 | 6-30021-19-0-* | 10 1229-1859 | 1168-1798 | 1229-1859 |
| | | 2270 ~1010 | 6-30021-24-0-* | 10 1859-2359 | 1798-2298 | 1859-2359 |
| | | 2670 ~1010 | 6-30021-28-0-* | 10 2109-2759 | 2048-2698 | 2109-2759 |
| 1 | 2 | SW Connecting bar Ø 8 | | | | |
| | | Length G | Article No. | SH | SH | SH |
| | | 1100 | 9-25476-11-0-1 | 1 700-1600 | 700-1600 | 700-1600 |
| | | 1350 | 9-25476-14-0-1 | 1 1601-1850 | 1601-1850 | 1601-1850 |
| | | 1850 | 9-25476-18-0-1 | 1 1851-2350 | 1851-2350 | 1851-2350 |
| | | 3300 | 9-25476-33-0-1 | 1 2351-3300 | 2351-3300 | 2351-3300 |
| 1 | TFW | Gliding rail P 903 [1] | | | | |
| | | SW Length | | | | |
| | | 800-1450 | 2900 | 1 9-27190-30-0-* | | 9-27190-30-0-* |
| | | 1451-1700 | 3400 | 1 9-27190-35-0-* | | 9-27190-35-0-* |
| | | 1701-1950 | 3900 | 1 9-27190-40-0-* | | 9-27190-40-0-* |
| | | 1951-2200 | 4400 | 1 9-27190-45-0-* | | 9-27190-45-0-* |
| | | 2201-2450 | 4900 | 1 9-27190-50-0-* | | 9-27190-50-0-* |
| | | 2451-3300 | 6600 | 1 9-27190-67-0-* | | 9-27190-67-0-* |
| 1 | 1 | TFW G.U-thermostep basic profile [2] | 1 | 6-29938-**-0-* | 6-29938-**-0-* | 6-29938-**-0-* |
| 1 | 1 | TFW Box of tread threshold [1] | 1 | K-15655-**-0-* | K-16643-**-0-* | K-15655-**-0-* |
| 1 | 2 | FS Box of rail for fixed sash A [3] | 1 | K-16393-**-0-* | K-16743-**-0-* | K-16393-**-0-* |
| 1 | 1 | TFW Anti moisture foil, 50 m | 1 | 9-39737-25-0-6 | 9-39737-25-0-6 | 9-39737-25-0-6 |
| 1 | 1 | m Wall tie [4] | 1 | 9-40086-00-0-1 | 9-40086-00-0-1 | 9-40086-00-0-1 |

[1] * = Colour: 1 = EV 1, 5 = UC 5
 [2] * = Colour: 1 = EV 1, 5 = UC 5 (only size 50)
 [3] * = Colour: 1 = EV 1, 5 = UC 5 (only size 25)
 [4] = 1 wall tie per m of G.U-thermostep basic profile
 [5] = Exact handle position depending on profile dim.
 [6] = alternative assembly: frame standing on top of threshold instead of being fixed to the side
 [7] = Up to 200 kg sash weight with tension spring 9-40235-05-0-0

Rubber buffer

Lift-slide fittings G.U-934 K according to profile system



Fitting requirements according to size of sashes for schemes A and C

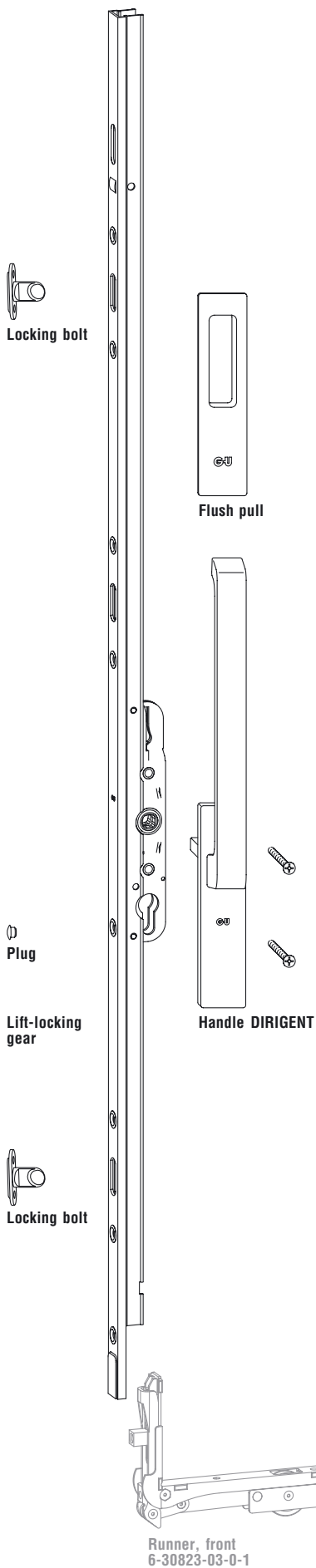
| Qty. | Ref. | Description | PU | Salamander iD | Schüco Corona CT 70 | Thyssen AD |
|--|------|---|----|----------------|------------------------|----------------|
| A | C | dim. | | | | |
| 1 | 2 | Box of runners – G.U-934/954 | 1 | K-16488-00-0-1 | K-16488-00-0-1 | K-16488-00-0-1 |
| 1 | 2 | Additional box G.U-934 K | 1 | K-16417-00-0-0 | K-16642-00-0-0 | K-16634-00-0-0 |
| alternatively: Additional box G.U-934 K [6] | | | | | | |
| 1 | 2 | Handle DIRIGENT [1] | 1 | 6-24608-00-0-* | 6-24606-00-0-* | 6-24606-00-0-* |
| 1 | 2 | Flush pull [1] | 1 | 9-29992-01-0-* | 9-29992-01-0-* | 9-29992-02-0-* |
| 1 | 2 | SH Lift-locking gear G.U-934 [1] [7] | | | | |
| | | Length G [5] | | SH | SH | SH |
| | | 1190 ~ 410 6-30021-11-0-* | 10 | 853-1273 | 854-1274 | 830-1250 |
| | | 1770 ~ 410 6-30021-19-0-* | 10 | 1223-1853 | 1224-1854 | 1200-1830 |
| | | 2270 ~1010 6-30021-24-0-* | 10 | 1853-2353 | 1854-2353 | 1830-2330 |
| | | 2670 ~1010 6-30021-28-0-* | 10 | 2103-2753 | 2104-2754 | 2080-2730 |
| 1 | 2 | SW Connecting bar Ø 8 | | | | |
| | | Length G | | SH | SH | SH |
| | | 1100 9-25476-11-0-1 | 1 | 700-1600 | 700-1600 | 700-1600 |
| | | 1350 9-25476-14-0-1 | 1 | 1601-1850 | 1601-1850 | 1601-1850 |
| | | 1850 9-25476-18-0-1 | 1 | 1851-2350 | 1851-2350 | 1851-2350 |
| | | 3300 9-25476-33-0-1 | 1 | 2351-3300 | 2351-3300 | 2351-3300 |
| 1 | 1 | TFW G.U-thermostep basic profile [2] | 1 | 6-29938-**-0-* | 6-29938-**-0-* | 6-29938-**-0-* |
| 1 | 1 | TFW Box of tread threshold [1] | 1 | K-15655-**-0-* | K-16643-**-0-* | K-15875-**-0-* |
| 1 | 2 | FS Box of rail for fixed sash A [3] | 1 | K-16393-**-0-* | K-16644-**-0-* | K-16389-**-0-* |
| 1 | 1 | TFW Anti moisture foil, 50 m | 1 | 9-39737-25-0-6 | 9-39737-25-0-6 | 9-39737-25-0-6 |
| 1 | 1 | m Wall tie [4] | 1 | 9-40086-00-0-1 | 9-40086-00-0-1 | 9-40086-00-0-1 |

Fitting requirements according to size of sashes for schemes A and C

| Qty. | Ref. | Description | PU | Veka Softline 58 | Veka Softline 70 Veka Topline |
|------|------|---|----|------------------|----------------------------------|
| A | C | dim. | | | |
| 1 | 2 | Box of runners – G.U-934/954 | 1 | K-16488-00-0-1 | K-16488-00-0-1 |
| 1 | 2 | Additional box G.U-934 K | 1 | K-16474-00-0-0 | K-15517-00-0-0 |
| 1 | 2 | Handle DIRIGENT [1] | 1 | 6-24608-00-0-* | 6-24606-00-0-* |
| 3 | | Fixing plate | 1 | 9-24414-00-0-0 | |
| 6 | | Countersunk screw M 5 x 20 | 1 | 9-13133-20-0-0 | |
| 1 | 2 | SH Lift-locking gear G.U-934 [1] [7] | | | |
| | | Length G [5] | | SH | SH |
| | | 1190 ~ 410 6-30021-11-0-* | 10 | 815-1235 | 829-1249 |
| | | 1770 ~ 410 6-30021-19-0-* | 10 | 1185-1815 | 1199-1829 |
| | | 2270 ~1010 6-30021-24-0-* | 10 | 1815-2315 | 1829-2329 |
| | | 2670 ~1010 6-30021-28-0-* | 10 | 2065-2715 | 2079-2729 |
| 1 | 2 | SW Connecting bar Ø 8 | | | |
| | | Length G | | SH | SH |
| | | 1100 9-25476-11-0-1 | 1 | 700-1600 | 700-1600 |
| | | 1350 9-25476-14-0-1 | 1 | 1601-1850 | 1601-1850 |
| | | 1850 9-25476-18-0-1 | 1 | 1851-2350 | 1851-2350 |
| | | 3300 9-25476-33-0-1 | 1 | 2351-3300 | 2351-3300 |
| 1 | 1 | TFW G.U-thermostep basic profile [2] | 1 | 6-29938-**-0-* | 6-29938-**-0-* |
| 1 | 1 | TFW Box of tread threshold [1] | 1 | K-15657-**-0-* | K-15659-**-0-* |
| 1 | 2 | FS Box of rail for fixed sash A [3] | 1 | K-15662-**-0-* | K-15664-**-0-* |
| 1 | 1 | TFW Anti moisture foil, 50 m | 1 | 9-39737-25-0-6 | 9-39737-25-0-6 |
| 1 | 1 | m Wall tie [4] | 1 | 9-40086-00-0-1 | 9-40086-00-0-1 |

[1] * = Colour: 1 = EV 1, 5 = UC 5 [2] * = Colour: 1 = EV 1, 5 = UC 5 (only size 50)
 [3] * = Colour: 1 = EV 1, 5 = UC 5 (only size 25) [4] = 1 wall tie per m of G.U-thermostep basic profile
 [5] = Exact handle position depending on profile dim.
 [6] = alternative assembly: frame standing on top of threshold instead of being fixed to the side
 [7] = Up to 200 kg sash weight with tension spring 9-40235-05-0-0

Lift-slide fittings G.U-937 K according to profile system



Fitting requirements according to size of sashes for scheme A

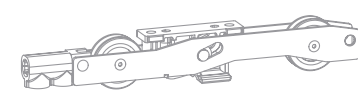
| Qty. A | Ref. dim. | Description | PU | Profex | Wymar |
|--------|--------------|--|----|----------------|----------------|
| 1 | | Box of runners – G.U-937 / Additional box G.U-937 K | 1 | K-16874-00-0-1 | K-16874-00-0-1 |
| 1 | | Handle DIRIGENT [1] | 1 | 6-24608-00-0-* | 6-24608-00-0-* |
| 1 | SH | Lift-locking gear G.U-937 [1] | | SH | SH |
| | Length G [5] | Article No. | | | |
| | 1190 ~ 410 | 6-30019-11-0-* | 10 | 820-1240 | 820-1240 |
| | 1770 ~ 410 | 6-30019-19-0-* | 10 | 1190-1820 | 1190-1820 |
| | 2270 ~1010 | 6-30019-24-0-* | 10 | 1821-2320 | 1821-2320 |
| | 2670 ~1010 | 6-30019-28-0-* | 10 | 2070-2720 | 2070-2720 |
| 1 | SW | Connecting bar Ø 8 | | SH | SH |
| | Length G | Article No. | | | |
| | 1100 | 9-25476-11-0-1 | 1 | 620-1600 | 620-1600 |
| | 1350 | 9-25476-14-0-1 | 1 | 1601-1850 | 1601-1850 |
| | 1850 | 9-25476-18-0-1 | 1 | 1851-2350 | 1851-2350 |
| | 3300 | 9-25476-33-0-1 | 1 | 2351-3300 | 2351-3300 |

[1] * = Colour: 1 = EV 1, 5 = UC 5
 [5] = Exact handle position depending on profile dim.

Rubber buffer



Connecting bar Ø 8



Runner, rear
6-30824-03-0-1

Lift-tilt-slide fittings G.U-954 K according to profile system

Gliding rail
Stay arm, front
Stay arm, rear
Middle stay arm
Stay arm glider
Connecting bar P 959
Guide
Rubber buffer

Locking case Cover
Flush pull
Plug
Locking case End piece
Locking case

Handle DIRIGENT Countersunk screw
Runner, front 6-30015-01-0-1
Lift-tilt-slide locking bolt 9-40817-00-0-1
Connecting bar Ø 8
Runner, rear 6-30017-01-0-1

Fitting requirements according to size of sashes for schemes A

| Qty. A | Ref. dim. | Description | PU | Aluplast Ideal 4000 | Salamander iD | Schüco Corona CT 70 | |
|--------|-----------|--|----------------|---------------------|---------------------------|---------------------|-----------|
| 1 | | Box of runners – G.U-934/954 | 1 | K-16488-00-0-1 | K-16488-00-0-1 | K-16488-00-0-1 | |
| 1 | | Box of stay arm – G.U-954 K, left | 1 | K-16660-00-L-1 | K-16660-00-L-1 | K-16660-00-L-1 | |
| | | Box of stay arm – G.U-954 K, right | 1 | K-16660-00-R-1 | K-16660-00-R-1 | K-16660-00-R-1 | |
| 1 | | Additional box G.U-954 K | 1 | K-16670-00-0-0 | K-16659-00-0-0 | K-16661-00-0-0 | |
| | | alternatively: Additional box G.U-954 K [6] | 1 | K-16783-00-0-0 | | K-16782-00-0-0 | |
| 1 | | Box of middle stay arm, left | 1 | K-11867-00-L-1 | K-11867-00-L-1 | K-11867-00-L-1 | |
| | | Box of middle stay arm, right | 1 | K-11867-00-R-1 | K-11867-00-R-1 | K-11867-00-R-1 | |
| 1 | | Packing for middle stay arm | 1 | 9-31465-06-0-0 | 9-31465-01-0-0 | 9-31466-04-0-0 | |
| 2 | | Packing for guide | 1 | 9-31464-06-0-0 | 9-31464-01-0-0 | 9-31463-00-0-0 | |
| 1 | | Handle DIRIGENT [1] | 1 | 6-24613-00-0-* | 6-24613-00-0-* | 6-24613-00-0-* | |
| 1 | | Flush pull [1] | 1 | 9-29992-01-0-* | 9-29526-00-0-* | 9-29992-01-0-* | |
| 1 | SH | Lift-locking gear G.U-954 [1] Length G [5] | | SH | SH | SH | |
| | | Article No. | | | | | |
| | | 1595 ~ 410 | 6-31582-18-0-* | 10 | 850-1800 | 848-1798 | 846-1796 |
| | | 2540 ~1010 | 6-31582-28-0-* | 10 | 1800-2745 | 1798-2743 | 1796-2741 |
| 1 | | Tension spring | 9-40235-05-0-0 | 1 | (for sashes up to 200 kg) | | |
| 1 | SW | Connecting bar P 959 Length | Article No. | SW | SW | SW | |
| | | 1000 | 9-28355-10-0-1 | 1 | 720-1700 | 720-1700 | 720-1700 |
| | | 1500 | 9-28355-15-0-1 | 1 | 1701-1950 | 1701-1950 | 1701-1950 |
| | | 1800 | 9-28355-18-0-1 | 1 | 1951-2450 | 1951-2450 | 1951-2450 |
| | | 2600 | 9-28355-26-0-1 | 1 | 2451-3000 | 2451-3000 | 2451-3000 |
| 1 | SW | Connecting bar Ø 8 Length | Article No. | SW | SW | SW | |
| | | 1100 | 9-25476-11-0-1 | 1 | 720-1700 | 720-1700 | 720-1700 |
| | | 1350 | 9-25476-14-0-1 | 1 | 1701-1950 | 1701-1950 | 1701-1950 |
| | | 1850 | 9-25476-18-0-1 | 1 | 1951-2450 | 1951-2450 | 1951-2450 |
| | | 3300 | 9-25476-33-0-1 | 1 | 2451-3000 | 2451-3000 | 2451-3000 |
| 1 | 1 | TFW G.U-thermostep basic profile [2] | 1 | 6-29938-**-0-* | 6-29938-**-0-* | 6-29938-**-0-* | |
| 1 | 1 | TFW Box of tread threshold [1] | 1 | K-15877-**-0-* | K-15655-**-0-* | K-16643-**-0-* | |
| 1 | 2 | FS Box of rail for fixed sash A [3] | 1 | K-16395-**-0-* | K-16393-**-0-* | K-16644-**-0-* | |
| 1 | 1 | TFW Anti moisture foil, 50 m | 1 | 9-39737-25-0-6 | 9-39737-25-0-6 | 9-39737-25-0-6 | |
| 1 | 1 | m Wall tie [4] | 1 | 9-40086-00-0-1 | 9-40086-00-0-1 | 9-40086-00-0-1 | |

[1] * = Colour: 1 = EV 1, 5 = UC 5
 [2] * = Colour: 1 = EV 1, 5 = UC 5 (only size 50)
 [3] * = Colour: 1 = EV 1, 5 = UC 5 (only size 25)
 [4] = 1 wall tie per m of G.U-thermostep basic profile
 [5] = Exact handle position depending on profile dim.
 [6] = alternative assembly: frame standing on top of threshold instead of being fixed to the side

Lift-tilt-slide fittings G.U-954 K according to profile system

Gliding rail
Stay arm glider
Guide
Stay arm glider
Stay arm, front
Connecting bar P 959
Stay arm, rear
Middle stay arm
Rubber buffer
Locking case Cover
Flush pull
Plug
Lift-locking gear
Locking case End piece
Locking case
Runner, front 6-30015-01-0-1
Lift-tilt-slide locking bolt 9-40817-00-0-1
Connecting bar Ø 8
Runner, rear 6-30017-01-0-1

Fitting requirements according to size of sashes for schemes A

| Qty. A | Ref. dim. | Description | PU | Thyssen AD |
|--------|-----------|---|----------------|-----------------------------|
| 1 | | Box of runners – G.U-934/954 | 1 | K-16488-00-0-1 |
| 1 | | Box of stay arm – G.U-954 K, left | 1 | K-16660-00-L-1 |
| 1 | | Box of stay arm – G.U-954 K, right | 1 | K-16660-00-R-1 |
| 1 | | Additional box G.U-954 K | 1 | K-16663-00-0-0 |
| 1 | | Box of middle stay arm, left | 1 | K-11867-00-L-1 |
| 1 | | Box of middle stay arm, right | 1 | K-11867-00-R-1 |
| | | FB 1701 - | | |
| 1 | | Packing for middle stay arm | 1 | 9-31465-02-0-0 |
| 2 | | Packing for guide | 1 | 9-31464-02-0-0 |
| 1 | | Handle DIRIGENT [1] | 1 | 6-24613-00-0-* |
| 1 | | Flush pull [1] | 1 | 9-29992-02-0-* |
| 1 | SH | Lift-locking gear G.U-954 [1] | | SH |
| | | Length G [5] | Article No. | |
| | | 1595 ~ 410 | 6-31582-18-0-* | 10 855-1805 |
| | | 2540 ~ 1010 | 6-31582-28-0-* | 10 1805-2750 |
| 1 | | Tension spring | 9-40235-05-0-0 | 1 (for sashes up to 150 kg) |
| 1 | SW | Connecting bar P 959 | | SW |
| | | Length | Article No. | |
| | | 1000 | 9-28355-10-0-1 | 1 720-1700 |
| | | 1500 | 9-28355-15-0-1 | 1 1701-1950 |
| | | 1800 | 9-28355-18-0-1 | 1 1951-2450 |
| | | 2600 | 9-28355-26-0-1 | 1 2451-3000 |
| 1 | SW | Connecting bar Ø 8 | | SW |
| | | Length | Article No. | |
| | | 1100 | 9-25476-11-0-1 | 1 720-1700 |
| | | 1350 | 9-25476-14-0-1 | 1 1701-1950 |
| | | 1850 | 9-25476-18-0-1 | 1 1951-2450 |
| | | 3300 | 9-25476-33-0-1 | 1 2451-3000 |
| 1 | TFW | Gliding rail P 1029 [1] | | |
| | | SW | Length | |
| | | 800-2200 | 4400 | 1 9-27902-45-0-* |
| | | 2201-3000 | 6600 | 1 9-27902-67-0-* |
| 1 | 1 | TFW G.U-thermostep basic profile [2] | 1 | 6-29938-**-0-* |
| 1 | 1 | TFW Box of tread threshold [1] | 1 | K-15875-**-0-* |
| 1 | 2 | FS Box of rail for fixed sash A [3] | 1 | K-16389-**-0-* |
| 1 | 1 | TFW Anti moisture foil, 50 m | 1 | 9-39737-25-0-6 |
| 1 | 1 | m Wall tie [4] | 1 | 9-40086-00-0-1 |

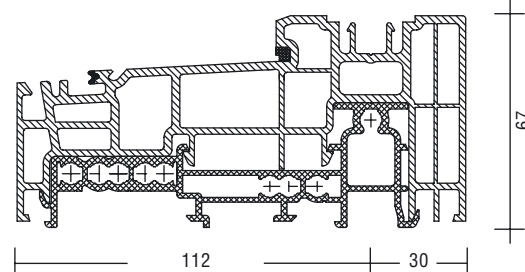
[1] * = Colour: 1 = EV 1, 5 = UC 5
 [2] * = Colour: 1 = EV 1, 5 = UC 5 (only size 50)
 [3] * = Colour: 1 = EV 1, 5 = UC 5 (only size 25)
 [4] = 1 wall tie per m of G.U-thermostep basic profile
 [5] = Exact handle position depending on profile dim.

G.U-thermostep – thermally broken threshold Sets for lift-slide and lift-tilt-slide units

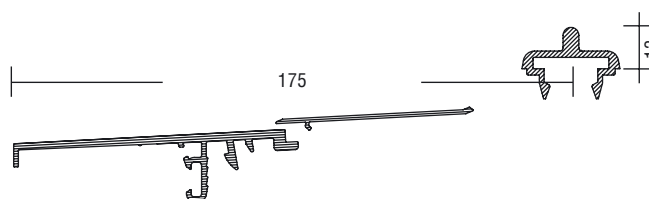
Schemes A, C, D and F

Fitting requirements according to sash width for schemes A, C, D and F

| Quantity | | Description | | PU | Article No. |
|---|---|---|--------------|----------------|------------------|
| A | C | D | F | [1] | |
| G.U-thermostep basic profile | | | | | |
| | | SW | TFW | | |
| 1 | 1 | -1450 | - 3000 | 1 | 6-29938-30-0-1 |
| 1 | 1 | -1450 | - 6700 | 1 | 6-29938-67-0-1 |
| 1 | 1 | 1451-1700 | 3001- 3500 | 1 | 6-29938-35-0-1 |
| 1 | 1 | 1701-1950 | 3501- 4000 | 1 | 6-29938-40-0-1 |
| 1 | 1 | 1951-2200 | 4001- 4500 | 1 | 6-29938-45-0-1 |
| 1 | 1 | 2201-2450 | 4501- 5000 | 1 | 6-29938-50-0-1/5 |
| Box of tread threshold 13/175 | | | | | |
| | | SW | TFW | | |
| 1 | 2 | -1450 | - 3000 | 1 | K-15877-30-0-* |
| 1 | 2 | -1450 | - 6000 | 1 | K-15877-30-0-* |
| 1 | 1 | 1451-1700 | 3001- 3500 | 1 | K-15877-35-0-* |
| 1 | 1 | 1701-1950 | 3501- 4000 | 1 | K-15877-40-0-* |
| 1 | 1 | 1951-2200 | 4001- 4500 | 1 | K-15877-45-0-* |
| 1 | 1 | 2201-2450 | 4501- 5000 | 1 | K-15877-50-0-* |
| Box of rail for fixed sash A | | | | | |
| | | SW | Length = SW | | |
| 1 | 2 | -1450 | 1500 | 1 | K-16395-15-0-1 |
| 1 | 1 | 1451-1950 | 2000 | 1 | K-16395-20-0-1 |
| 1 | 1 | 1951-2450 | 2500 | 1 | K-16395-25-0-1/5 |
| Contained in box of rail for fixed sash A | | | | | |
| Bag of accessories A | | | | | |
| | | Single parts | | | |
| | | 1 end cap | | 9-40295-00-L-6 | |
| | | 1 end cap | | 9-40295-00-R-6 | |
| | | 1 sealing plate | | 9-41250-00-0-6 | |
| Drip rail 175 P 1676 | | | | | |
| | | SW | Length = TFW | | |
| 1 | 2 | -1450 | 3000 | 1 | 9-40381-30-0-* |
| 1 | 2 | 1451-1700 | 3500 | 1 | 9-40381-35-0-* |
| 1 | 1 | 1701-1950 | 4000 | 1 | 9-40381-40-0-* |
| 1 | 1 | 1951-2200 | 4500 | 1 | 9-40381-45-0-* |
| 1 | 1 | 2201-2450 | 5000 | 1 | 9-40381-50-0-* |
| Box of rail for fixed sash D | | | | | |
| | | SW | Length = SW | | |
| 1 | 2 | -1450 | 1500 | 1 | K-16396-15-0-1 |
| 1 | 2 | 1451-1950 | 2000 | 1 | K-16396-20-0-1 |
| 1 | 1 | 1951-2450 | 2500 | 1 | K-16396-25-0-1/5 |
| Contained in box of rail for fixed sash D | | | | | |
| Bag of accessories D | | | | | |
| | | Single parts | | | |
| | | 1 centre piece | | 9-40293-00-0-6 | |
| | | 1 sealing plate | | 9-41250-00-0-6 | |
| | | 10 sealing bush | | 9-39327-00-0-0 | |
| | | 20 countersunk sheet metal screw 4,8x45 | | 9-13089-45-R-1 | |
| 2,5 | 5 | Decor foil , brown – 10 m (only with UC 5) | | 1 | 9-40858-00-0-5 |
| Running rail 13 P 1690 | | | | | |
| | | SW | Length = TFW | | |
| 1 | 1 | -1450 | 3000 | 1 | 9-41254-30-0-* |
| 1 | 1 | -1450 | 6700 | 1 | 9-41254-67-0-* |
| 1 | 1 | 1451-1700 | 3500 | 1 | 9-41254-35-0-* |
| 1 | 1 | 1701-1950 | 4000 | 1 | 9-41254-40-0-* |
| 1 | 1 | 1951-2200 | 4500 | 1 | 9-41254-45-0-* |
| 1 | 1 | 2201-2450 | 5000 | 1 | 9-41254-50-0-* |



G.U-thermostep basic profile



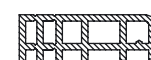
Drip rail 175 P 1676

Tread threshold P 1642 (½ length)

Running rail 13 P 1690



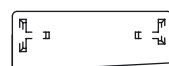
Rail for fixed sash 1 P 1633



Intermediate profile 42 P 1677



Running rail 13 P 1690



End cap



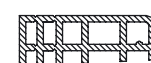
Sealing plate



Drip rail 175 P 1676



Rail for fixed sash 1 P 1633



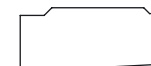
Intermediate profile 42 P 1677



Running rail 13 P 1690



Rail for fixed sash 2 P 1633 / Drain



Sealing plate



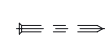
Centre piece



Gasket P 1645



Sealing bush



Countersunk sheet metal screw 4,8x45



Running rail 13 P 1690

[1] = Fitting requirements for schemes G and K on request

Note:

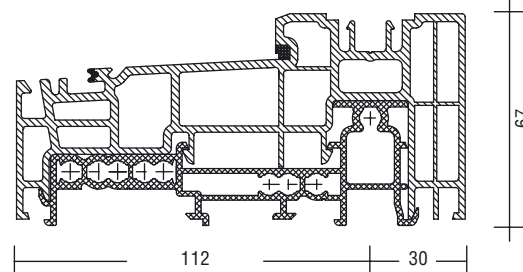
Maximum frame width 6700 mm – please observe profile manufacturer's instructions.

G.U-thermostep – thermally broken threshold Sets for lift-slide and lift-tilt-slide units

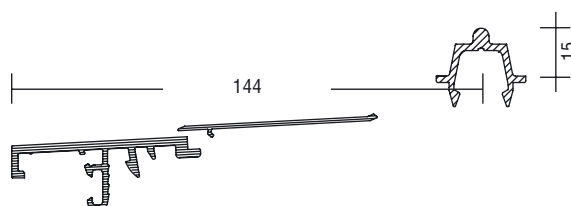
Schemes A, C, D and F

Fitting requirements according to sash width for schemes A, C, D and F

| Quantity | Description | PU | Article No. |
|---|---|----|------------------|
| A C D F | [1] | | |
| G.U-thermostep basic profile | | | |
| | SW TFW | | |
| 1 | -1450 - 3000 | 1 | 6-29938-30-0-1 |
| 1 | -1450 - 6700 | 1 | 6-29938-67-0-1 |
| 1 | 1451-1700 3001- 3500 | 1 | 6-29938-35-0-1 |
| 1 | 1701-1950 3501- 4000 | 1 | 6-29938-40-0-1 |
| 1 | 1951-2200 4001- 4500 | 1 | 6-29938-45-0-1 |
| 1 | 2201-2450 4501- 5000 | 1 | 6-29938-50-0-1/5 |
| Box of tread threshold 15/144 | | | |
| | SW TFW | | |
| 1 | -1450 - 3000 | 1 | K-15655-30-0-* |
| 2 | -1450 - 6000 | 1 | K-15655-30-0-* |
| 1 | 1451-1700 3001- 3500 | 1 | K-15655-35-0-* |
| 1 | 1701-1950 3501- 4000 | 1 | K-15655-40-0-* |
| 1 | 1951-2200 4001- 4500 | 1 | K-15655-45-0-* |
| 1 | 2201-2450 4501- 5000 | 1 | K-15655-50-0-* |
| Box of rail for fixed sash A | | | |
| | SW Length = SW | | |
| 1 | -1450 1500 | 1 | K-16648-15-0-1 |
| 2 | -1450 2000 | 1 | K-16648-20-0-1 |
| 1 | 1451-1950 2000 | 1 | K-16648-20-0-1 |
| 1 | 1951-2450 2500 | 1 | K-16648-25-0-1/5 |
| Contained in box of rail for fixed sash A | | | |
| Bag of accessories A | | | |
| | Single parts | | |
| | 1 end cap | 1 | K-16650-00-0-6 |
| | 1 end cap | | 9-40295-00-L-6 |
| | 1 end cap | | 9-40295-00-R-6 |
| | 1 sealing plate | | 9-40886-00-0-6 |
| Drip rail 144 P 1639 | | | |
| | SW Length = TFW | | |
| 1 | -1450 3000 | 1 | 9-39615-30-0-* |
| 2 | -1450 3500 | 1 | 9-39615-35-0-* |
| 1 | 1451-1700 3500 | 1 | 9-39615-35-0-* |
| 1 | 1701-1950 4000 | 1 | 9-39615-40-0-* |
| 1 | 1951-2200 4500 | 1 | 9-39615-45-0-* |
| 1 | 2201-2450 5000 | 1 | 9-39615-50-0-* |
| Box of rail for fixed sash D | | | |
| | SW Length = SW | | |
| 1 | -1450 1500 | 1 | K-16649-15-0-1 |
| 2 | -1450 2000 | 1 | K-16649-20-0-1 |
| 1 | 1451-1950 2000 | 1 | K-16649-20-0-1 |
| 1 | 1951-2450 2500 | 1 | K-16649-25-0-1/5 |
| Contained in box of rail for fixed sash D | | | |
| Bag of accessories D | | | |
| | Single parts | | |
| | 1 centre piece | 1 | K-16651-00-0-6 |
| | 1 sealing plate | | 9-40293-00-0-6 |
| | 1 sealing plate | | 9-40886-00-0-6 |
| | 10 sealing bush | | 9-39327-00-0-0 |
| | 20 countersunk sheet metal screw 4,8x45 | | 9-13089-45-R-1 |
| 2,5 | 5 Decor foil, brown – 10 m (only with UC 5) | 1 | 9-40858-00-0-5 |
| Running rail 15 P 1635 | | | |
| | SW Length = TFW | | |
| 1 | -1450 3000 | 1 | 9-39311-30-0-* |
| 1 | -1450 6700 | 1 | 9-39311-67-0-* |
| 1 | 1451-1700 3500 | 1 | 9-39311-35-0-* |
| 1 | 1701-1950 4000 | 1 | 9-39311-40-0-* |
| 1 | 1951-2200 4500 | 1 | 9-39311-45-0-* |
| 1 | 2201-2450 5000 | 1 | 9-39311-50-0-* |



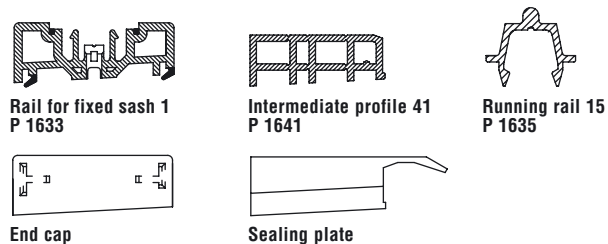
G.U-thermostep basic profile



Drip rail 144
P 1639

Tread threshold
P 1642 (½ Length)

Running rail 15
P 1635



Rail for fixed sash 1
P 1633

Intermediate profile 41
P 1641

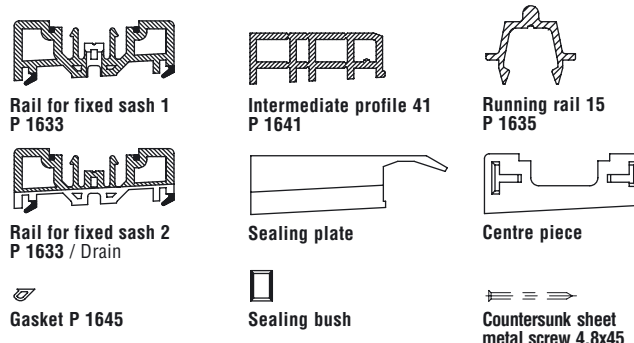
Running rail 15
P 1635

End cap

Sealing plate



Drip rail 144
P 1639



Rail for fixed sash 1
P 1633

Intermediate profile 41
P 1641

Running rail 15
P 1635

Rail for fixed sash 2
P 1633 / Drain

Sealing plate

Centre piece

Gasket P 1645

Sealing bush

Countersunk sheet
metal screw 4,8x45

[1] = Fitting requirements for schemes G and K on request

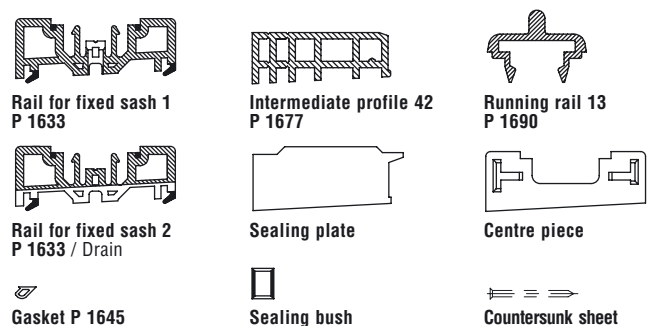
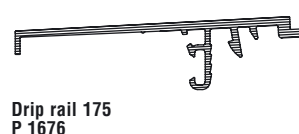
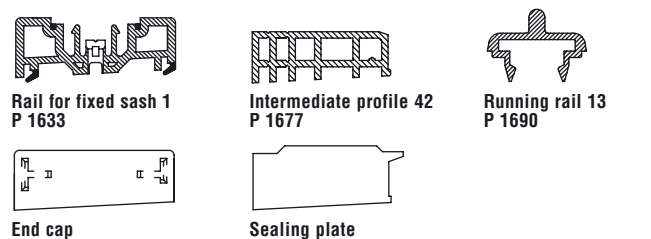
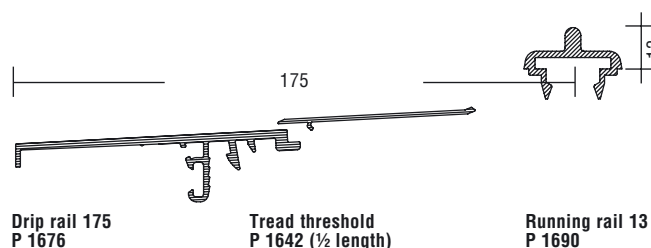
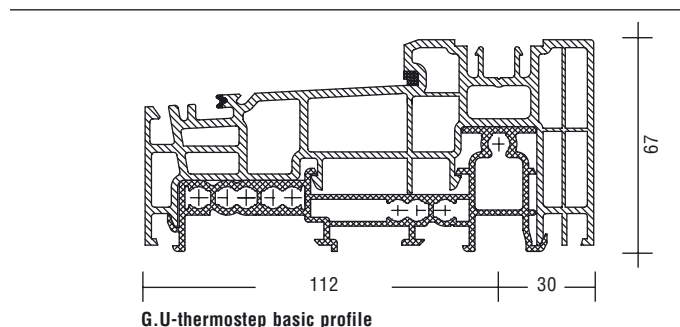
Note:
Maximum frame width 6700 mm –
please observe profile manufacturer's instructions.

G.U-thermostep – thermally broken threshold Sets for lift-slide and lift-tilt-slide units

Schemes A, C, D and F

Fitting requirements according to sash width for schemes A, C, D and F

| Quantity | | Description | | PU | Article No. |
|---|---|---|--------------|----------------|------------------|
| A | C | D | F | [1] | |
| G.U-thermostep basic profile | | | | | |
| | | SW | TFW | | |
| 1 | 1 | -1450 | - 3000 | 1 | 6-29938-30-0-1 |
| 1 | 1 | -1450 | - 6700 | 1 | 6-29938-67-0-1 |
| 1 | 1 | 1451-1700 | 3001- 3500 | 1 | 6-29938-35-0-1 |
| 1 | 1 | 1701-1950 | 3501- 4000 | 1 | 6-29938-40-0-1 |
| 1 | 1 | 1951-2200 | 4001- 4500 | 1 | 6-29938-45-0-1 |
| 1 | 1 | 2201-2450 | 4501- 5000 | 1 | 6-29938-50-0-1/5 |
| Box of tread threshold 13/175 | | | | | |
| | | SW | TFW | | |
| 1 | 2 | -1450 | - 3000 | 1 | K-15877-30-0-* |
| 1 | 2 | -1450 | - 6000 | 1 | K-15877-30-0-* |
| 1 | 1 | 1451-1700 | 3001- 3500 | 1 | K-15877-35-0-* |
| 1 | 1 | 1701-1950 | 3501- 4000 | 1 | K-15877-40-0-* |
| 1 | 1 | 1951-2200 | 4001- 4500 | 1 | K-15877-45-0-* |
| 1 | 1 | 2201-2450 | 4501- 5000 | 1 | K-15877-50-0-* |
| Box of rail for fixed sash A | | | | | |
| | | SW | Length = SW | | |
| 1 | 2 | -1450 | 1500 | 1 | K-17064-15-0-1 |
| 1 | 1 | 1451-1950 | 2000 | 1 | K-17064-20-0-1 |
| 1 | 1 | 1951-2450 | 2500 | 1 | K-17064-25-0-1/5 |
| Contained in box of rail for fixed sash A | | | | | |
| Bag of accessories A | | | | | |
| Single parts | | | | | |
| | | 1 end cap | | 9-40295-00-L-6 | |
| | | 1 end cap | | 9-40295-00-R-6 | |
| | | 1 sealing plate | | 9-42998-00-0-6 | |
| Drip rail 175 P 1676 | | | | | |
| | | SW | Length = TFW | | |
| 1 | 2 | -1450 | 3000 | 1 | 9-40381-30-0-* |
| 1 | 2 | 1451-1700 | 3500 | 1 | 9-40381-35-0-* |
| 1 | 1 | 1701-1950 | 4000 | 1 | 9-40381-40-0-* |
| 1 | 1 | 1951-2200 | 4500 | 1 | 9-40381-45-0-* |
| 1 | 1 | 2201-2450 | 5000 | 1 | 9-40381-50-0-* |
| Box of rail for fixed sash D | | | | | |
| | | SW | Length = SW | | |
| 1 | 2 | -1450 | 1500 | 1 | K-17065-15-0-1 |
| 1 | 2 | 1451-1950 | 2000 | 1 | K-17065-20-0-1 |
| 1 | 1 | 1951-2450 | 2500 | 1 | K-17065-25-0-1/5 |
| Contained in box of rail for fixed sash D | | | | | |
| Bag of accessories D | | | | | |
| Single parts | | | | | |
| | | 1 centre piece | | 9-40293-00-0-6 | |
| | | 1 sealing plate | | 9-42998-00-0-6 | |
| | | 10 sealing bush | | 9-39327-00-0-0 | |
| | | 20 countersunk sheet metal screw 4,8x45 | | 9-13089-45-R-1 | |
| 2,5 | 5 | Decor foil , brown – 10 m (only with UC 5) | | 1 | 9-40858-00-0-5 |
| Running rail 13 P 1690 | | | | | |
| | | SW | Length = TFW | | |
| 1 | 1 | -1450 | 3000 | 1 | 9-41254-30-0-* |
| 1 | 1 | -1450 | 6700 | 1 | 9-41254-67-0-* |
| 1 | 1 | 1451-1700 | 3500 | 1 | 9-41254-35-0-* |
| 1 | 1 | 1701-1950 | 4000 | 1 | 9-41254-40-0-* |
| 1 | 1 | 1951-2200 | 4500 | 1 | 9-41254-45-0-* |
| 1 | 1 | 2201-2450 | 5000 | 1 | 9-41254-50-0-* |



[1] = Fitting requirements for schemes G and K on request

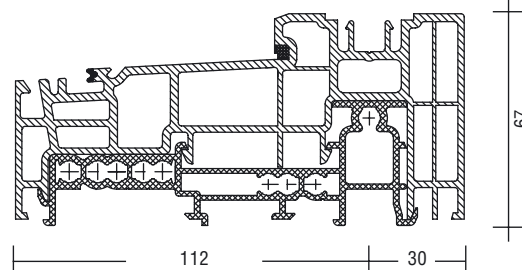
Note:
Maximum frame width 6700 mm – please observe profile manufacturer's instructions.

G.U-thermostep – thermally broken threshold Sets for lift-slide and lift-tilt-slide units

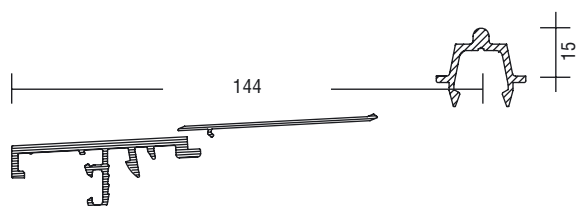
Schemes A, C, D and F

Fitting requirements according to sash width for schemes A, C, D and F

| Quantity | | Description | | PU | Article No. |
|--|-------|---|------------|----|------------------|
| A | C D F | [1] | [1] | | |
| G.U-thermostep basic profile | | | | | |
| SW TFW | | | | | |
| 1 | 1 | -1450 | - 3000 | 1 | 6-29938-30-0-1 |
| 1 | 1 | -1450 | - 6700 | 1 | 6-29938-67-0-1 |
| 1 | 1 | 1451-1700 | 3001- 3500 | 1 | 6-29938-35-0-1 |
| 1 | 1 | 1701-1950 | 3501- 4000 | 1 | 6-29938-40-0-1 |
| 1 | 1 | 1951-2200 | 4001- 4500 | 1 | 6-29938-45-0-1 |
| 1 | 1 | 2201-2450 | 4501- 5000 | 1 | 6-29938-50-0-1/5 |
| Box of tread threshold 15/144 | | | | | |
| SW TFW | | | | | |
| 1 | 2 | -1450 | - 3000 | 1 | K-15655-30-0-* |
| | | | - 6000 | 1 | K-15655-30-0-* |
| 1 | | 1451-1700 | 3001- 3500 | 1 | K-15655-35-0-* |
| 1 | | 1701-1950 | 3501- 4000 | 1 | K-15655-40-0-* |
| 1 | | 1951-2200 | 4001- 4500 | 1 | K-15655-45-0-* |
| 1 | | 2201-2450 | 4501- 5000 | 1 | K-15655-50-0-* |
| Box of rail for fixed sash A | | | | | |
| SW Length = SW | | | | | |
| 1 | 2 | -1450 | 1500 | 1 | K-16393-15-0-1 |
| 1 | | 1451-1950 | 2000 | 1 | K-16393-20-0-1 |
| 1 | | 1951-2450 | 2500 | 1 | K-16393-25-0-1/5 |
| Contained in box of rail for fixed sash A | | | | | |
| Bag of accessories A | | | | | |
| Single parts | | | | | |
| 1 sealing plate 9-40886-00-0-6 | | | | | |
| Drip rail 144 P 1639 | | | | | |
| SW Length = TFW | | | | | |
| 1 | 2 | -1450 | 3000 | 1 | 9-39615-30-0-* |
| 1 | 2 | 1451-1700 | 3500 | 1 | 9-39615-35-0-* |
| 1 | | 1701-1950 | 4000 | 1 | 9-39615-40-0-* |
| 1 | | 1951-2200 | 4500 | 1 | 9-39615-45-0-* |
| 1 | | 2201-2450 | 5000 | 1 | 9-39615-50-0-* |
| Box of rail for fixed sash D | | | | | |
| SW Length = SW | | | | | |
| 1 | 2 | -1450 | 1500 | 1 | K-16394-15-0-1 |
| 1 | 2 | 1451-1950 | 2000 | 1 | K-16394-20-0-1 |
| 1 | | 1951-2450 | 2500 | 1 | K-16394-25-0-1/5 |
| Contained in box of rail for fixed sash D | | | | | |
| Bag of accessories D | | | | | |
| Single parts | | | | | |
| 1 centre piece 9-40293-00-0-6 | | | | | |
| 1 sealing plate 9-40886-00-0-6 | | | | | |
| 10 sealing bush 9-39327-00-0-0 | | | | | |
| 20 countersunk sheet metal screw 4,8x45 9-13089-45-R-1 | | | | | |
| 2,5 | 5 | Decor foil, brown – 10 m (only with UC 5) | | 1 | 9-40858-00-0-5 |
| Running rail 15 P 1635 | | | | | |
| SW Length = TFW | | | | | |
| 1 | 1 | -1450 | 3000 | 1 | 9-39311-30-0-* |
| | | | 6700 | 1 | 9-39311-67-0-* |
| 1 | | 1451-1700 | 3500 | 1 | 9-39311-35-0-* |
| 1 | | 1701-1950 | 4000 | 1 | 9-39311-40-0-* |
| 1 | | 1951-2200 | 4500 | 1 | 9-39311-45-0-* |
| 1 | | 2201-2450 | 5000 | 1 | 9-39311-50-0-* |



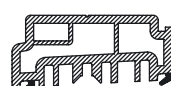
G.U-thermostep basic profile



Drip rail 144
P 1639

Tread threshold
P 1642 (½ length)

Running rail 15
P 1635



Rail for fixed sash
P 1634



Intermediate profile 41
P 1641



Sealing plate



Drip rail 144
P 1639



Rail for fixed sash 1
P 1633



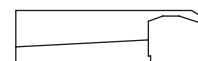
Intermediate profile 41
P 1641



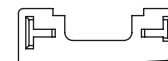
Running rail 15
P 1635



Rail for fixed sash 2
P 1633 / Drain



Sealing plate

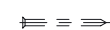


Centre piece

Gasket P 1645



Sealing bush



Countersunk sheet
metal screw 4,8x45



Running rail 15
P 1635

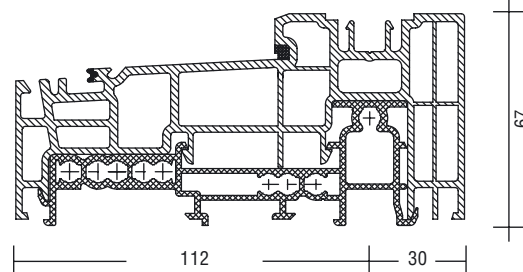
[1] = Fitting requirements for schemes G and K on request

Note:
Maximum frame width 6700 mm – please observe profile manufacturer's instructions.

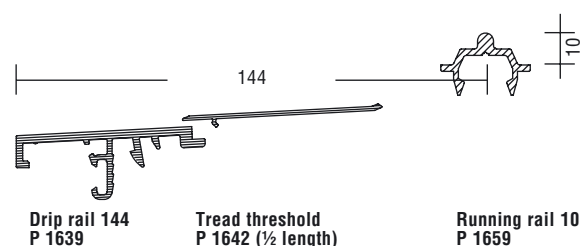
G.U-thermostep – thermally broken threshold Sets for lift-slide and lift-tilt-slide units

Fitting requirements according to sash width for schemes A, C, D and F

| Quantity A C | Description [1] | PU | Article No. |
|---|----------------------|----|------------------|
| G.U-thermostep basic profile | | | |
| | SW TFW | | |
| 1 | -1450 - 3000 | 1 | 6-29938-30-0-1 |
| 1 | -1450 - 6700 | 1 | 6-29938-67-0-1 |
| 1 | 1451-1700 3001- 3500 | 1 | 6-29938-35-0-1 |
| 1 | 1701-1950 3501- 4000 | 1 | 6-29938-40-0-1 |
| 1 | 1951-2200 4001- 4500 | 1 | 6-29938-45-0-1 |
| 1 | 2201-2450 4501- 5000 | 1 | 6-29938-50-0-1/5 |
| Box of tread threshold 10/144 | | | |
| | SW TFW | | |
| 1 | -1450 - 3000 | 1 | K-16643-30-0-* |
| 2 | -1450 - 6000 | 1 | K-16643-30-0-* |
| 1 | 1451-1700 3001- 3500 | 1 | K-16643-35-0-* |
| 1 | 1701-1950 3501- 4000 | 1 | K-16643-40-0-* |
| 1 | 1951-2200 4001- 4500 | 1 | K-16643-45-0-* |
| 1 | 2201-2450 4501- 5000 | 1 | K-16643-50-0-* |
| alternativ: | | | |
| Box of tread threshold 5/144 [2] | | | |
| | SW TFW | | |
| 1 | -1450 - 3000 | 1 | K-15658-30-0-* |
| 2 | -1450 - 6000 | 1 | K-15658-30-0-* |
| 1 | 1451-1700 3001- 3500 | 1 | K-15658-35-0-* |
| 1 | 1701-1950 3501- 4000 | 1 | K-15658-40-0-* |
| 1 | 1951-2200 4001- 4500 | 1 | K-15658-45-0-* |
| 1 | 2201-2450 4501- 5000 | 1 | K-15658-50-0-* |
| Box of rail for fixed sash A | | | |
| | SW Length = SW | | |
| 1 | -1450 1500 | 1 | K-16743-15-0-1 |
| 1 | 1451-1950 2000 | 1 | K-16743-20-0-1 |
| 1 | 1951-2450 2500 | 1 | K-16743-25-0-1/5 |
| Contained in box of rail for fixed sash A | | | |
| Bag of accessories A | | | |
| Single parts | | | |
| | | | |
| | 6 adapter | | 9-40414-00-0-6 |
| | 1 end cap | | 9-40295-00-L-6 |
| | 1 end cap | | 9-40295-00-R-6 |
| | 1 sealing plate | | 9-39321-00-0-6 |



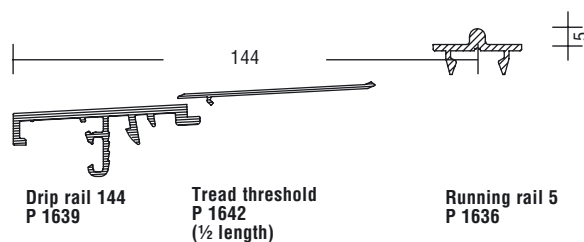
G.U-thermostep basic profile



Drip rail 144
P 1639

Tread threshold
P 1642 (½ length)

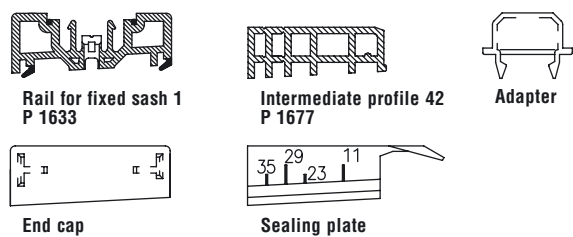
Running rail 10
P 1659



Drip rail 144
P 1639

Tread threshold
P 1642
(½ length)

Running rail 5
P 1636



Rail for fixed sash 1
P 1633

Intermediate profile 42
P 1677

Adapter

End cap

Sealing plate

[1] = Fitting requirements for schemes D, F, G and K on request
[2] = When using running rail 5 P 1636, underlay runners with a shim of 11 mm manufactured on site.

Note:
Maximum frame width 6700 mm –
please observe profile manufacturer's instructions.

G.U-thermostep – thermally broken threshold Sets for lift-slide and lift-tilt-slide units

Schemes A, C, D and F

Fitting requirements according to sash width for schemes A, C, D and F

| Quantity | | Description | | PU | Article No. |
|-------------------------------------|-------|-------------|------------|----|------------------|
| A | C D F | [1] | [1] | | |
| G.U-thermostep basic profile | | | | | |
| SW TFW | | | | | |
| 1 | 1 | -1450 | - 3000 | 1 | 6-29938-30-0-1 |
| 1 | 1 | -1450 | - 6700 | 1 | 6-29938-67-0-1 |
| 1 | 1 | 1451-1700 | 3001- 3500 | 1 | 6-29938-35-0-1 |
| 1 | 1 | 1701-1950 | 3501- 4000 | 1 | 6-29938-40-0-1 |
| 1 | 1 | 1951-2200 | 4001- 4500 | 1 | 6-29938-45-0-1 |
| 1 | 1 | 2201-2450 | 4501- 5000 | 1 | 6-29938-50-0-1/5 |

| | | | | | |
|--------------------------------------|---|-----------|------------|---|----------------|
| Box of tread threshold 15/144 | | | | | |
| SW TFW | | | | | |
| 1 | 2 | -1450 | - 3000 | 1 | K-15655-30-0-* |
| | | | - 6000 | 1 | K-15655-30-0-* |
| 1 | | 1451-1700 | 3001- 3500 | 1 | K-15655-35-0-* |
| 1 | | 1701-1950 | 3501- 4000 | 1 | K-15655-40-0-* |
| 1 | | 1951-2200 | 4001- 4500 | 1 | K-15655-45-0-* |
| 1 | | 2201-2450 | 4501- 5000 | 1 | K-15655-50-0-* |

| | | | | | |
|---|---|-----------|------|---|------------------|
| Box of rail for fixed sash A | | | | | |
| SW Length = SW | | | | | |
| 1 | 2 | -1450 | 1500 | 1 | K-16393-15-0-1 |
| 1 | | 1451-1950 | 2000 | 1 | K-16393-20-0-1 |
| 1 | | 1951-2450 | 2500 | 1 | K-16393-25-0-1/5 |
| Contained in box of rail for fixed sash A | | | | | |
| Bag of accessories A | | | | | |
| Single parts | | | | | |
| 1 sealing plate | | | | 1 | K-16409-00-0-6 |
| | | | | 1 | 9-40886-00-0-6 |

| | | | | | |
|-----------------------------|---|-----------|------|---|----------------|
| Drip rail 144 P 1639 | | | | | |
| SW Length = TFW | | | | | |
| 1 | 2 | -1450 | 3000 | 1 | 9-39615-30-0-* |
| 1 | 2 | 1451-1700 | 3500 | 1 | 9-39615-35-0-* |
| 1 | | 1701-1950 | 4000 | 1 | 9-39615-40-0-* |
| 1 | | 1951-2200 | 4500 | 1 | 9-39615-45-0-* |
| 1 | | 2201-2450 | 5000 | 1 | 9-39615-50-0-* |

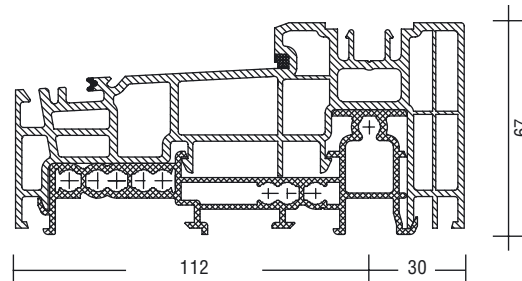
| | | | | | |
|---|---|-----------|------|----|------------------|
| Box of rail for fixed sash D | | | | | |
| SW Length = SW | | | | | |
| 1 | 2 | -1450 | 1500 | 1 | K-16394-15-0-1 |
| 1 | 2 | 1451-1950 | 2000 | 1 | K-16394-20-0-1 |
| 1 | | 1951-2450 | 2500 | 1 | K-16394-25-0-1/5 |
| Contained in box of rail for fixed sash D | | | | | |
| Bag of accessories D | | | | | |
| Single parts | | | | | |
| 1 centre piece | | | | 1 | 9-40293-00-0-6 |
| 1 sealing plate | | | | 1 | 9-40886-00-0-6 |
| 10 sealing bush | | | | 10 | 9-39327-00-0-0 |
| 20 countersunk sheet metal screw 4,8x45 | | | | 20 | 9-13089-45-R-1 |

| | | | | |
|-----|---|---|---|----------------|
| 2,5 | 5 | Decor foil, brown – 10 m (only with UC 5) | 1 | 9-40858-00-0-5 |
|-----|---|---|---|----------------|

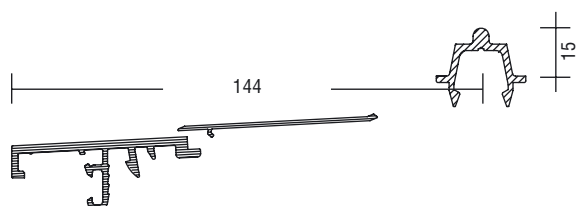
| | | | | | |
|-------------------------------|---|-----------|------|---|----------------|
| Running rail 15 P 1635 | | | | | |
| SW Length = TFW | | | | | |
| 1 | 1 | -1450 | 3000 | 1 | 9-39311-30-0-* |
| | | | 6700 | 1 | 9-39311-67-0-* |
| 1 | | 1451-1700 | 3500 | 1 | 9-39311-35-0-* |
| 1 | | 1701-1950 | 4000 | 1 | 9-39311-40-0-* |
| 1 | | 1951-2200 | 4500 | 1 | 9-39311-45-0-* |
| 1 | | 2201-2450 | 5000 | 1 | 9-39311-50-0-* |

[1] = Fitting requirements for schemes G and K on request

Note:
Maximum frame width 6700 mm – please observe profile manufacturer's instructions.



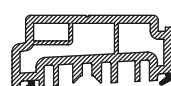
G.U-thermostep basic profile



Drip rail 144
P 1639

Tread threshold
P 1642 (½ length)

Running rail 15
P 1635



Rail for fixed sash
P 1634



Intermediate profile 41
P 1641



Sealing plate



Drip rail 144
P 1639



Rail for fixed sash 1
P 1633



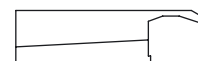
Intermediate profile 41
P 1641



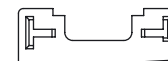
Running rail 15
P 1635



Rail for fixed sash 2
P 1633 / Drain



Sealing plate



Centre piece



Gasket P 1645



Sealing bush



Countersunk sheet
metal screw 4,8x45



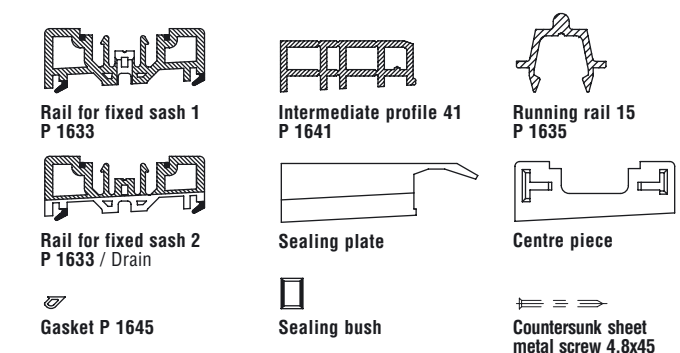
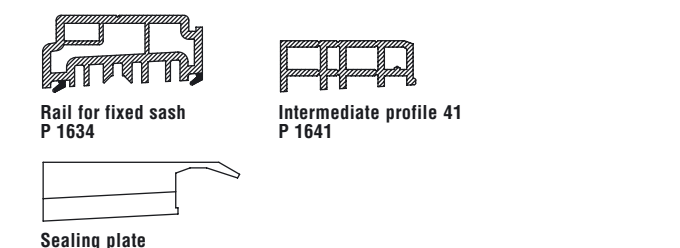
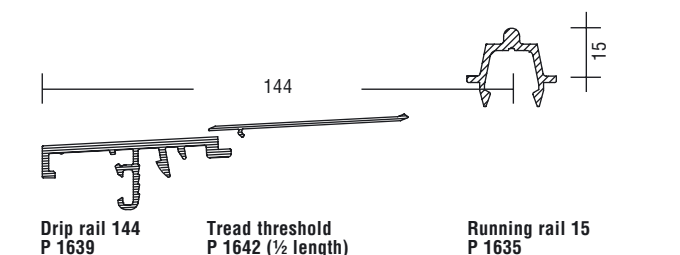
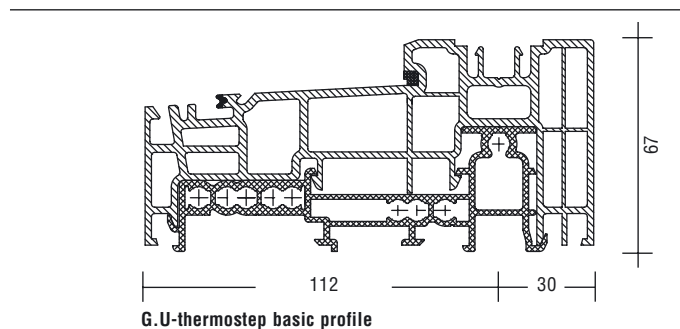
Running rail 15
P 1635

G.U-thermostep – thermally broken threshold Sets for lift-slide and lift-tilt-slide units

Schemes A, C, D and F

Fitting requirements according to sash width for schemes A, C, D and F

| Quantity | | Description | | PU | Article No. |
|---|---|---|--------------|-----|------------------|
| A | C | D | F | [1] | |
| G.U-thermostep basic profile | | | | | |
| | | SW | TFW | | |
| 1 | 1 | -1450 | - 3000 | 1 | 6-29938-30-0-1 |
| 1 | 1 | -1450 | - 6700 | 1 | 6-29938-67-0-1 |
| 1 | 1 | 1451-1700 | 3001- 3500 | 1 | 6-29938-35-0-1 |
| 1 | 1 | 1701-1950 | 3501- 4000 | 1 | 6-29938-40-0-1 |
| 1 | 1 | 1951-2200 | 4001- 4500 | 1 | 6-29938-45-0-1 |
| 1 | 1 | 2201-2450 | 4501- 5000 | 1 | 6-29938-50-0-1/5 |
| Box of tread threshold 15/144 | | | | | |
| | | SW | TFW | | |
| 1 | 2 | -1450 | - 3000 | 1 | K-15655-30-0-* |
| 1 | 2 | -1450 | - 6000 | 1 | K-15655-30-0-* |
| 1 | 1 | 1451-1700 | 3001- 3500 | 1 | K-15655-35-0-* |
| 1 | 1 | 1701-1950 | 3501- 4000 | 1 | K-15655-40-0-* |
| 1 | 1 | 1951-2200 | 4001- 4500 | 1 | K-15655-45-0-* |
| 1 | 1 | 2201-2450 | 4501- 5000 | 1 | K-15655-50-0-* |
| Box of rail for fixed sash A | | | | | |
| | | SW | Length = SW | | |
| 1 | 2 | -1450 | 1500 | 1 | K-16393-15-0-1 |
| 1 | 1 | 1451-1950 | 2000 | 1 | K-16393-20-0-1 |
| 1 | 1 | 1951-2450 | 2500 | 1 | K-16393-25-0-1/5 |
| Contained in box of rail for fixed sash A | | | | | |
| Bag of accessories A | | | | | |
| Single parts | | | | 1 | K-16409-00-0-6 |
| 1 sealing plate | | | | | 9-40886-00-0-6 |
| Drip rail 144 P 1639 | | | | | |
| | | SW | Length = TFW | | |
| 1 | 2 | -1450 | 3000 | 1 | 9-39615-30-0-* |
| 1 | 2 | 1451-1700 | 3500 | 1 | 9-39615-35-0-* |
| 1 | 1 | 1701-1950 | 4000 | 1 | 9-39615-40-0-* |
| 1 | 1 | 1951-2200 | 4500 | 1 | 9-39615-45-0-* |
| 1 | 1 | 2201-2450 | 5000 | 1 | 9-39615-50-0-* |
| Box of rail for fixed sash D | | | | | |
| | | SW | Length = SW | | |
| 1 | 2 | -1450 | 1500 | 1 | K-16394-15-0-1 |
| 1 | 2 | 1451-1950 | 2000 | 1 | K-16394-20-0-1 |
| 1 | 1 | 1951-2450 | 2500 | 1 | K-16394-25-0-1/5 |
| Contained in box of rail for fixed sash D | | | | | |
| Bag of accessories D | | | | | |
| Single parts | | | | 1 | K-16410-00-0-6 |
| 1 centre piece | | | | | 9-40293-00-0-6 |
| 1 sealing plate | | | | | 9-40886-00-0-6 |
| 10 sealing bush | | | | | 9-39327-00-0-0 |
| 20 countersunk sheet metal screw 4,8x45 | | | | | 9-13089-45-R-1 |
| 2,5 | 5 | Decor foil, brown – 10 m (only with UC 5) | | 1 | 9-40858-00-0-5 |
| Running rail 15 P 1635 | | | | | |
| | | SW | Length = TFW | | |
| 1 | 1 | -1450 | 3000 | 1 | 9-39311-30-0-* |
| 1 | 1 | -1450 | 6700 | 1 | 9-39311-67-0-* |
| 1 | 1 | 1451-1700 | 3500 | 1 | 9-39311-35-0-* |
| 1 | 1 | 1701-1950 | 4000 | 1 | 9-39311-40-0-* |
| 1 | 1 | 1951-2200 | 4500 | 1 | 9-39311-45-0-* |
| 1 | 1 | 2201-2450 | 5000 | 1 | 9-39311-50-0-* |



[1] = Fitting requirements for schemes G and K on request

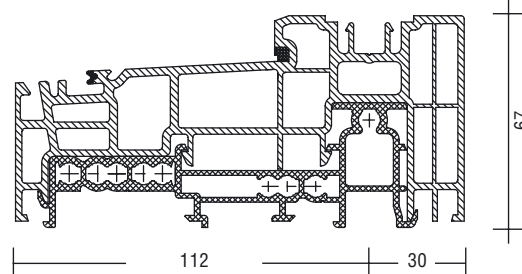
Note:
Maximum frame width 6700 mm – please observe profile manufacturer's instructions.

G.U-thermostep – thermally broken threshold Sets for lift-slide and lift-tilt-slide units

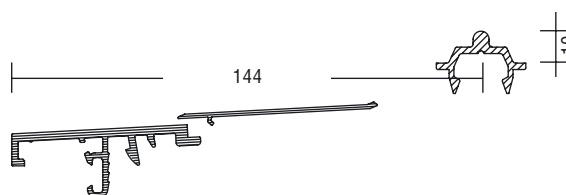
Schemes A, C, D and F

Fitting requirements according to sash width for schemes A, C, D and F

| Quantity | | Description | | PU | Article No. |
|--|-------|--|------------|----|------------------|
| A | C D F | [1] | [1] | | |
| G.U-thermostep basic profile | | | | | |
| SW TFW | | | | | |
| 1 | 1 | -1450 | - 3000 | 1 | 6-29938-30-0-1 |
| 1 | 1 | | - 6700 | 1 | 6-29938-67-0-1 |
| 1 | 1 | 1451-1700 | 3001- 3500 | 1 | 6-29938-35-0-1 |
| 1 | 1 | 1701-1950 | 3501- 4000 | 1 | 6-29938-40-0-1 |
| 1 | 1 | 1951-2200 | 4001- 4500 | 1 | 6-29938-45-0-1 |
| 1 | 1 | 2201-2450 | 4501- 5000 | 1 | 6-29938-50-0-1/5 |
| Box of tread threshold 10/144 | | | | | |
| SW TFW | | | | | |
| 1 | 2 | -1450 | - 3000 | 1 | K-16643-30-0-* |
| | | | - 6000 | 1 | K-16643-30-0-* |
| 1 | | 1451-1700 | 3001- 3500 | 1 | K-16643-35-0-* |
| 1 | | 1701-1950 | 3501- 4000 | 1 | K-16643-40-0-* |
| 1 | | 1951-2200 | 4001- 4500 | 1 | K-16643-45-0-* |
| 1 | | 2201-2450 | 4501- 5000 | 1 | K-16643-50-0-* |
| Box of rail for fixed sash A | | | | | |
| SW Length = SW | | | | | |
| 1 | 2 | -1450 | 1500 | 1 | K-16644-15-0-1 |
| 1 | | 1451-1950 | 2000 | 1 | K-16644-20-0-1 |
| 1 | | 1951-2450 | 2500 | 1 | K-16644-25-0-1/5 |
| Contained in box of rail for fixed sash A | | | | | |
| Bag of accessories A | | | | | |
| Single parts | | | | | |
| 6 adapter 9-41783-00-0-6 | | | | | |
| 1 end cap 9-40295-00-L-6 | | | | | |
| 1 end cap 9-40295-00-R-6 | | | | | |
| 1 sealing plate 9-41782-00-0-6 | | | | | |
| Drip rail 144 P 1639 | | | | | |
| SW Length = TFW | | | | | |
| 1 | 2 | -1450 | 3000 | 1 | 9-39615-30-0-* |
| 1 | 2 | 1451-1700 | 3500 | 1 | 9-39615-35-0-* |
| 1 | | 1701-1950 | 4000 | 1 | 9-39615-40-0-* |
| 1 | | 1951-2200 | 4500 | 1 | 9-39615-45-0-* |
| 1 | | 2201-2450 | 5000 | 1 | 9-39615-50-0-* |
| Box of rail for fixed sash D | | | | | |
| SW Length = SW | | | | | |
| 1 | 2 | -1450 | 1500 | 1 | K-16645-15-0-1 |
| 1 | 2 | 1451-1950 | 2000 | 1 | K-16645-20-0-1 |
| 1 | | 1951-2450 | 2500 | 1 | K-16645-25-0-1/5 |
| Contained in box of rail for fixed sash D | | | | | |
| Bag of accessories D | | | | | |
| Single parts | | | | | |
| 1 centre piece 9-40293-00-0-6 | | | | | |
| 1 sealing plate 9-41782-00-0-6 | | | | | |
| 10 sealing bush 9-39327-00-0-0 | | | | | |
| 20 countersunk sheet metal screw 4,8x45 9-13089-45-R-1 | | | | | |
| 2,5 | 5 | Decor foil, brown – 10 m (only with UC 5) | | 1 | 9-40858-00-0-5 |
| Running rail 10 P 1659 | | | | | |
| SW Length = TFW | | | | | |
| 1 | 1 | -1450 | 3000 | 1 | 9-39330-30-0-* |
| | | | 6700 | 1 | 9-39330-67-0-* |
| 1 | | 1451-1700 | 3500 | 1 | 9-39330-35-0-* |
| 1 | | 1701-1950 | 4000 | 1 | 9-39330-40-0-* |
| 1 | | 1951-2200 | 4500 | 1 | 9-39330-45-0-* |
| 1 | | 2201-2450 | 5000 | 1 | 9-39330-50-0-* |



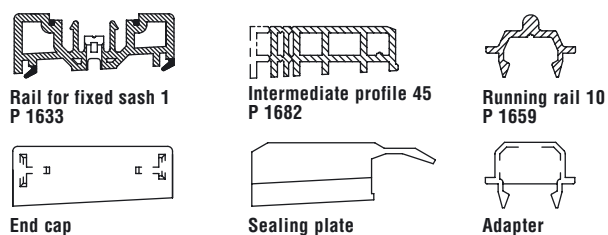
G.U-thermostep basic profile



Drip rail 144
P 1639

Tread threshold
P 1642 (½ length)

Running rail 10
P 1659



Rail for fixed sash 1
P 1633

Intermediate profile 45
P 1682

Running rail 10
P 1659

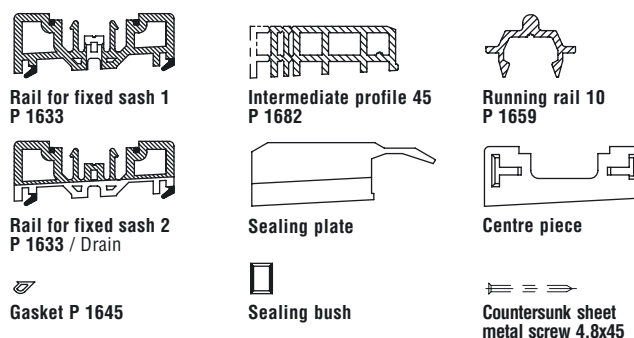
End cap

Sealing plate

Adapter



Drip rail 144
P 1639



Rail for fixed sash 1
P 1633

Intermediate profile 45
P 1682

Running rail 10
P 1659

Rail for fixed sash 2
P 1633 / Drain

Sealing plate

Centre piece

Gasket P 1645

Sealing bush

Countersunk sheet
metal screw 4,8x45



Running rail 10
P 1659

[1] = Fitting requirements for schemes G and K on request

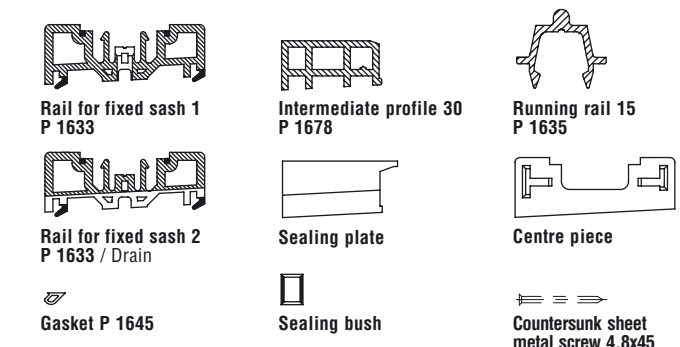
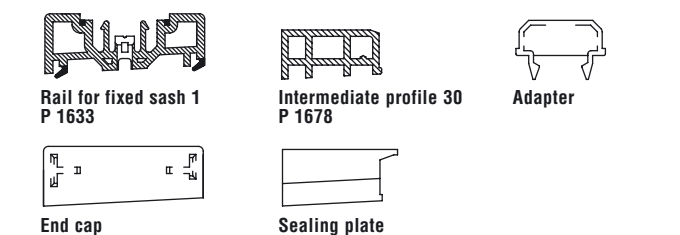
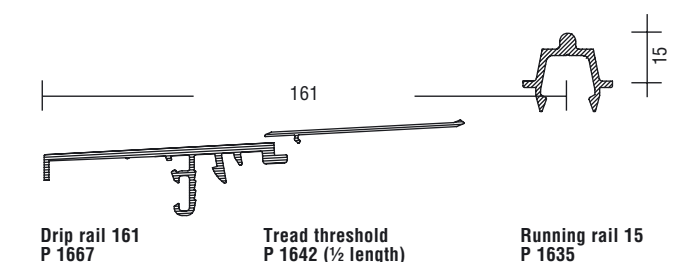
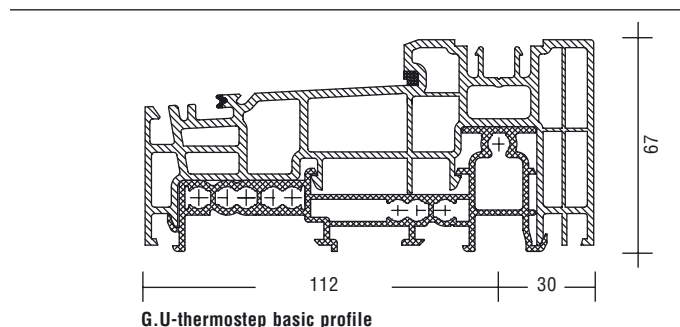
Note:
Maximum frame width 6700 mm – please observe profile manufacturer's instructions.

G.U-thermostep – thermally broken threshold Sets for lift-slide and lift-tilt-slide units

Schemes A, C, D and F

Fitting requirements according to sash width for schemes A, C, D and F

| Quantity | | Description | | PU | Article No. |
|---|---|---|--------------|-----|------------------|
| A | C | D | F | [1] | |
| G.U-thermostep basic profile | | | | | |
| | | SW | TFW | | |
| 1 | 1 | -1450 | - 3000 | 1 | 6-29938-30-0-1 |
| 1 | 1 | -1450 | - 6700 | 1 | 6-29938-67-0-1 |
| 1 | 1 | 1451-1700 | 3001- 3500 | 1 | 6-29938-35-0-1 |
| 1 | 1 | 1701-1950 | 3501- 4000 | 1 | 6-29938-40-0-1 |
| 1 | 1 | 1951-2200 | 4001- 4500 | 1 | 6-29938-45-0-1 |
| 1 | 1 | 2201-2450 | 4501- 5000 | 1 | 6-29938-50-0-1/5 |
| Box of tread threshold 15/161 | | | | | |
| | | SW | TFW | | |
| 1 | 2 | -1450 | - 3000 | 1 | K-15875-30-0-* |
| 1 | 2 | -1450 | - 6000 | 1 | K-15875-30-0-* |
| 1 | 1 | 1451-1700 | 3001- 3500 | 1 | K-15875-35-0-* |
| 1 | 1 | 1701-1950 | 3501- 4000 | 1 | K-15875-40-0-* |
| 1 | 1 | 1951-2200 | 4001- 4500 | 1 | K-15875-45-0-* |
| 1 | 1 | 2201-2450 | 4501- 5000 | 1 | K-15875-50-0-* |
| Box of rail for fixed sash A | | | | | |
| | | SW | Length = SW | | |
| 1 | 2 | -1450 | 1500 | 1 | K-16389-15-0-1 |
| 1 | 1 | 1451-1950 | 2000 | 1 | K-16389-20-0-1 |
| 1 | 1 | 1951-2450 | 2500 | 1 | K-16389-25-0-1/5 |
| Contained in box of rail for fixed sash A | | | | | |
| Bag of accessories A | | | | | |
| Single parts | | | | | |
| | | | | | |
| | | 6 adapter | | | 9-40867-00-0-6 |
| | | 1 end cap | | | 9-40295-00-L-6 |
| | | 1 end cap | | | 9-40295-00-R-6 |
| | | 1 sealing plate | | | 9-41247-00-0-6 |
| Drip rail 161 P 1667 | | | | | |
| | | SW | Length = TFW | | |
| 1 | 2 | -1450 | 3000 | 1 | 9-40182-30-0-* |
| 1 | 2 | 1451-1700 | 3500 | 1 | 9-40182-35-0-* |
| 1 | 1 | 1701-1950 | 4000 | 1 | 9-40182-40-0-* |
| 1 | 1 | 1951-2200 | 4500 | 1 | 9-40182-45-0-* |
| 1 | 1 | 2201-2450 | 5000 | 1 | 9-40182-50-0-* |
| Box of rail for fixed sash D | | | | | |
| | | SW | Length = SW | | |
| 1 | 2 | -1450 | 1500 | 1 | K-16390-15-0-1 |
| 1 | 2 | 1451-1950 | 2000 | 1 | K-16390-20-0-1 |
| 1 | 1 | 1951-2450 | 2500 | 1 | K-16390-25-0-1/5 |
| Contained in box of rail for fixed sash D | | | | | |
| Bag of accessories D | | | | | |
| Single parts | | | | | |
| | | | | | |
| | | 1 centre piece | | | 9-40293-00-0-6 |
| | | 1 sealing plate | | | 9-41247-00-0-6 |
| | | 10 sealing bush | | | 9-39327-00-0-0 |
| | | 20 countersunk sheet metal screw 4,8x45 | | | 9-13089-45-R-1 |
| 2,5 | 5 | Decor foil, brown – 10 m (only with UC 5) | | 1 | 9-40858-00-0-5 |
| Running rail 15 P 1635 | | | | | |
| | | SW | Length = TFW | | |
| 1 | 1 | -1450 | 3000 | 1 | 9-39311-30-0-* |
| 1 | 1 | -1450 | 6700 | 1 | 9-39311-67-0-* |
| 1 | 1 | 1451-1700 | 3500 | 1 | 9-39311-35-0-* |
| 1 | 1 | 1701-1950 | 4000 | 1 | 9-39311-40-0-* |
| 1 | 1 | 1951-2200 | 4500 | 1 | 9-39311-45-0-* |
| 1 | 1 | 2201-2450 | 5000 | 1 | 9-39311-50-0-* |



[1] = Fitting requirements for schemes G and K on request

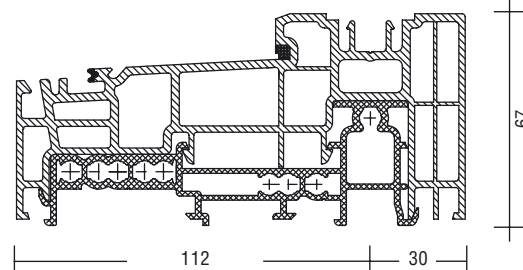
Note:
Maximum frame width 6700 mm – please observe profile manufacturer's instructions.

G.U-thermostep – thermally broken threshold Sets for lift-slide and lift-tilt-slide units

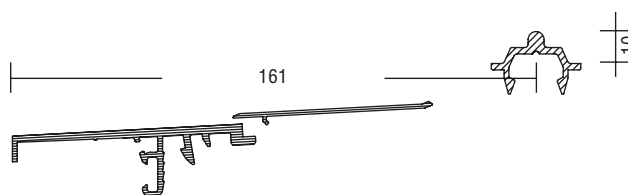
Schemes A, C, D and F

Fitting requirements according to sash width for schemes A, C, D and F

| Quantity | | Description | | PU | Article No. |
|---|-------|--|------------|----------------|------------------|
| A | C D F | [1] | [1] | | |
| G.U-thermostep basic profile | | | | | |
| SW TFW | | | | | |
| 1 | 1 | -1450 | - 3000 | 1 | 6-29938-30-0-1 |
| 1 | 1 | -1450 | - 6700 | 1 | 6-29938-67-0-1 |
| 1 | 1 | 1451-1700 | 3001- 3500 | 1 | 6-29938-35-0-1 |
| 1 | 1 | 1701-1950 | 3501- 4000 | 1 | 6-29938-40-0-1 |
| 1 | 1 | 1951-2200 | 4001- 4500 | 1 | 6-29938-45-0-1 |
| 1 | 1 | 2201-2450 | 4501- 5000 | 1 | 6-29938-50-0-1/5 |
| Box of tread threshold 10/161 | | | | | |
| SW TFW | | | | | |
| 1 | 2 | -1450 | - 3000 | 1 | K-15657-30-0-* |
| 1 | 2 | -1450 | - 6000 | 1 | K-15657-30-0-* |
| 1 | 1 | 1451-1700 | 3001- 3500 | 1 | K-15657-35-0-* |
| 1 | 1 | 1701-1950 | 3501- 4000 | 1 | K-15657-40-0-* |
| 1 | 1 | 1951-2200 | 4001- 4500 | 1 | K-15657-45-0-* |
| 1 | 1 | 2201-2450 | 4501- 5000 | 1 | K-15657-50-0-* |
| Box of rail for fixed sash A | | | | | |
| SW Length = SW | | | | | |
| 1 | 2 | -1450 | 1500 | 1 | K-15662-15-0-1 |
| 1 | 1 | 1451-1950 | 2000 | 1 | K-15662-20-0-1 |
| 1 | 1 | 1951-2450 | 2500 | 1 | K-15662-25-0-1/5 |
| Contained in box of rail for fixed sash A | | | | | |
| Bag of accessories A | | | | | |
| Single parts | | | | | |
| 6 adapter | | | | 9-40294-00-0-6 | |
| 2 spacer | | | | 9-41436-00-0-0 | |
| 1 sealing plate | | | | 9-40385-00-0-6 | |
| Drip rail 161 P 1667 | | | | | |
| SW Length = TFW | | | | | |
| 1 | 2 | -1450 | 3000 | 1 | 9-40182-30-0-* |
| 1 | 2 | 1451-1700 | 3500 | 1 | 9-40182-35-0-* |
| 1 | 1 | 1701-1950 | 4000 | 1 | 9-40182-40-0-* |
| 1 | 1 | 1951-2200 | 4500 | 1 | 9-40182-45-0-* |
| 1 | 1 | 2201-2450 | 5000 | 1 | 9-40182-50-0-* |
| Box of rail for fixed sash D | | | | | |
| SW Length = SW | | | | | |
| 1 | 2 | -1450 | 1500 | 1 | K-15663-15-0-1 |
| 1 | 2 | 1451-1950 | 2000 | 1 | K-15663-20-0-1 |
| 1 | 1 | 1951-2450 | 2500 | 1 | K-15663-25-0-1/5 |
| Contained in box of rail for fixed sash D | | | | | |
| Bag of accessories D | | | | | |
| Single parts | | | | | |
| 1 centre piece | | | | 9-40293-00-0-6 | |
| 1 sealing plate | | | | 9-40385-00-0-6 | |
| 10 sealing bush | | | | 9-39327-00-0-0 | |
| 20 countersunk sheet metal screw 4,8x45 | | | | 9-13089-45-R-1 | |
| 2,5 | 5 | Decor foil, brown – 10 m (only with UC 5) | | 1 | 9-40858-00-0-5 |
| Running rail 10 P 1659 | | | | | |
| SW Length = TFW | | | | | |
| 1 | 1 | -1450 | 3000 | 1 | 9-39330-30-0-* |
| 1 | 1 | -1450 | 6700 | 1 | 9-39330-67-0-* |
| 1 | 1 | 1451-1700 | 3500 | 1 | 9-39330-35-0-* |
| 1 | 1 | 1701-1950 | 4000 | 1 | 9-39330-40-0-* |
| 1 | 1 | 1951-2200 | 4500 | 1 | 9-39330-45-0-* |
| 1 | 1 | 2201-2450 | 5000 | 1 | 9-39330-50-0-* |



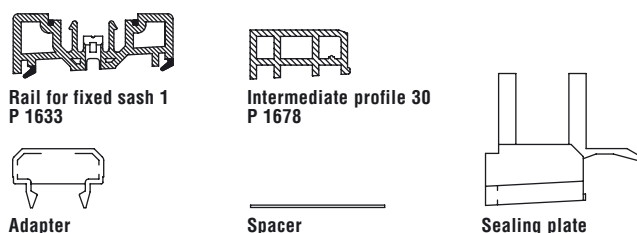
G.U-thermostep basic profile



Drip rail 161
P 1667

Tread threshold
P 1642 (½ length)

Running rail 10
P 1659



Rail for fixed sash 1
P 1633

Intermediate profile 30
P 1678

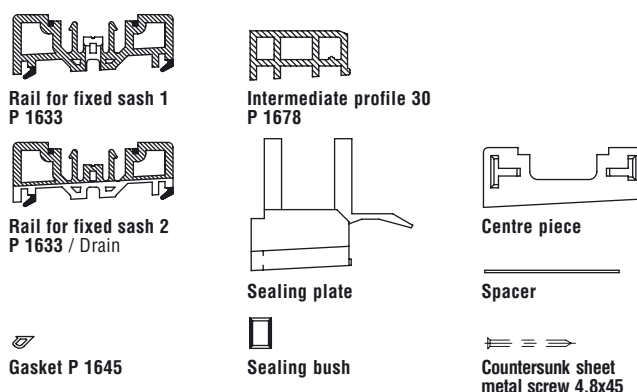
Adapter

Spacer

Sealing plate



Drip rail 161
P 1667



Rail for fixed sash 1
P 1633

Intermediate profile 30
P 1678

Rail for fixed sash 2
P 1633 / Drain

Sealing plate

Centre piece

Spacer

Gasket P 1645

Sealing bush

Countersunk sheet
metal screw 4,8x45



Running rail 10
P 1659

[1] = Fitting requirements for schemes G and K on request

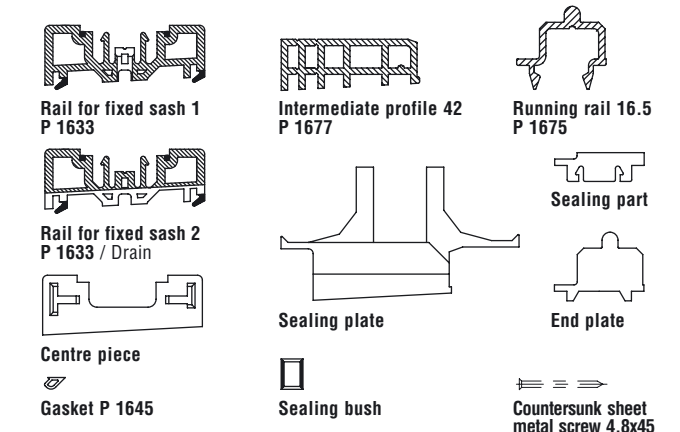
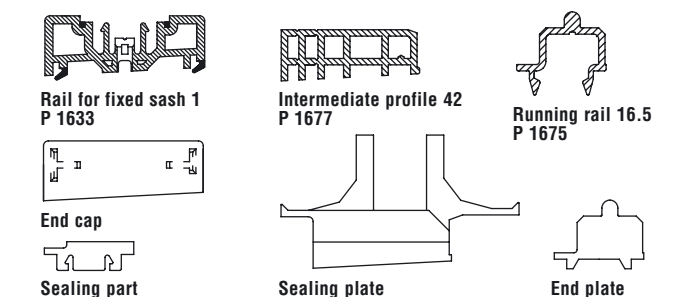
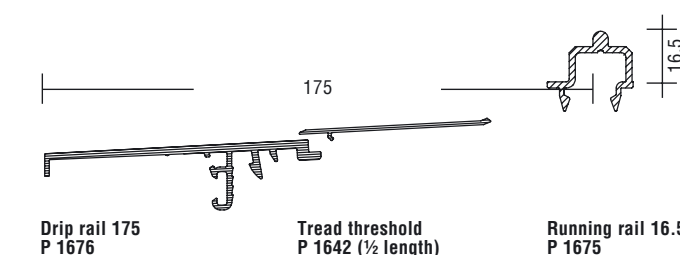
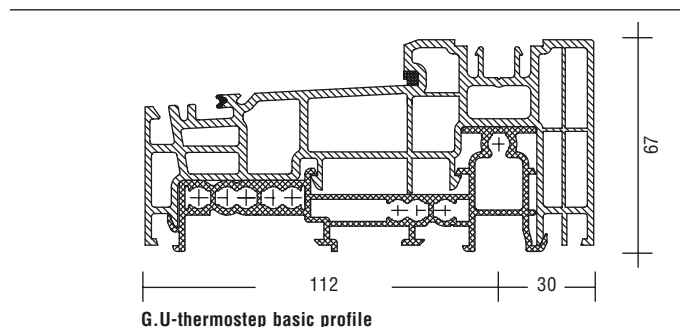
Note:
Maximum frame width 6700 mm – please observe profile manufacturer's instructions.

G.U-thermostep – thermally broken threshold Sets for lift-slide and lift-tilt-slide units

Schemes A, C, D and F

Fitting requirements according to sash width for schemes A, C, D and F

| Quantity | | Description | | PU | Article No. |
|---|---|---|--------------|-----|------------------|
| A | C | D | F | [1] | |
| G.U-thermostep basic profile | | | | | |
| | | SW | TFW | | |
| 1 | 1 | -1450 | - 3000 | 1 | 6-29938-30-0-1 |
| 1 | 1 | - 6700 | - 6700 | 1 | 6-29938-67-0-1 |
| 1 | 1 | 1451-1700 | 3001- 3500 | 1 | 6-29938-35-0-1 |
| 1 | 1 | 1701-1950 | 3501- 4000 | 1 | 6-29938-40-0-1 |
| 1 | 1 | 1951-2200 | 4001- 4500 | 1 | 6-29938-45-0-1 |
| 1 | 1 | 2201-2450 | 4501- 5000 | 1 | 6-29938-50-0-1/5 |
| Box of tread threshold 16.5/175 | | | | | |
| | | SW | TFW | | |
| 1 | 2 | -1450 | - 3000 | 1 | K-15659-30-0-* |
| | | - 6000 | - 6000 | 1 | K-15659-30-0-* |
| 1 | | 1451-1700 | 3001- 3500 | 1 | K-15659-35-0-* |
| 1 | | 1701-1950 | 3501- 4000 | 1 | K-15659-40-0-* |
| 1 | | 1951-2200 | 4001- 4500 | 1 | K-15659-45-0-* |
| 1 | | 2201-2450 | 4501- 5000 | 1 | K-15659-50-0-* |
| Box of rail for fixed sash A | | | | | |
| | | SW | Length = SW | | |
| 1 | 2 | -1450 | 1500 | 1 | K-15664-15-0-1 |
| 1 | | 1451-1950 | 2000 | 1 | K-15664-20-0-1 |
| 1 | | 1951-2450 | 2500 | 1 | K-15664-25-0-1/5 |
| Contained in box of rail for fixed sash A | | | | | |
| Bag of accessories A | | | | | |
| | | | | 1 | K-15704-00-0-6 |
| Single parts | | | | | |
| | | 2 end plate | | | 9-41252-00-L-6 |
| | | 2 end plate | | | 9-41252-00-R-6 |
| | | 1 end cap | | | 9-40295-00-L-6 |
| | | 1 end cap | | | 9-40295-00-R-6 |
| | | 3 sealing part | | | 9-40869-00-0-6 |
| | | 1 sealing plate | | | 9-40383-00-0-6 |
| Drip rail 175 P 1676 | | | | | |
| | | SW | Length = TFW | | |
| 1 | 2 | -1450 | 3000 | 1 | 9-40381-30-0-* |
| 1 | 2 | 1451-1700 | 3500 | 1 | 9-40381-35-0-* |
| 1 | | 1701-1950 | 4000 | 1 | 9-40381-40-0-* |
| 1 | | 1951-2200 | 4500 | 1 | 9-40381-45-0-* |
| 1 | | 2201-2450 | 5000 | 1 | 9-40381-50-0-* |
| Box of rail for fixed sash D | | | | | |
| | | SW | Length = SW | | |
| 1 | 2 | -1450 | 1500 | 1 | K-15701-15-0-1 |
| 1 | 2 | 1451-1950 | 2000 | 1 | K-15701-20-0-1 |
| 1 | | 1951-2450 | 2500 | 1 | K-15701-25-0-1/5 |
| Contained in box of rail for fixed sash D | | | | | |
| Bag of accessories D | | | | | |
| | | | | 1 | K-15705-00-0-6 |
| Single parts | | | | | |
| | | 2 end plate | | | 9-41252-00-L-6 |
| | | 2 end plate | | | 9-41252-00-R-6 |
| | | 4 sealing part | | | 9-40869-00-0-6 |
| | | 1 centre piece | | | 9-40293-00-0-6 |
| | | 1 sealing plate | | | 9-40383-00-0-6 |
| | | 10 sealing bush | | | 9-39327-00-0-0 |
| | | 20 countersunk sheet metal screw 4,8x45 | | | 9-13089-45-R-1 |
| 2,5 | 5 | Decor foil, brown – 10 m (only with UC 5) | | 1 | 9-40858-00-0-5 |
| Running rail 16.5 P 1675 | | | | | |
| | | SW | Length = TFW | | |
| 1 | 1 | -1450 | 3000 | 1 | 9-40380-30-0-* |
| | | 6700 | 6700 | 1 | 9-40380-67-0-* |
| 1 | | 1451-1700 | 3500 | 1 | 9-40380-35-0-* |
| 1 | | 1701-1950 | 4000 | 1 | 9-40380-40-0-* |
| 1 | | 1951-2200 | 4500 | 1 | 9-40380-45-0-* |
| 1 | | 2201-2450 | 5000 | 1 | 9-40380-50-0-* |



[1] = Fitting requirements for schemes G and K on request







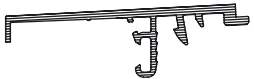
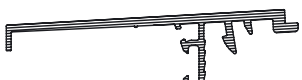

Note:
Maximum frame width 6700 mm – please observe profile manufacturer's instructions.

G.U-thermostep – thermally broken threshold G.U-thermostep basic profile, rails for fixed sash, intermediate profiles

| Profile system / Illustration | Description | PU | Article No. |
|---|--|----|------------------|
| All profile systems | | | |
| <p>G.U-thermostep basic profile</p> | G.U-thermostep basic profile Length mm = TFW | | |
| | 3000 | 1 | 6-29938-30-0-1 |
| | 3500 | 1 | 6-29938-35-0-1 |
| | 4000 | 1 | 6-29938-40-0-1 |
| | 4500 | 1 | 6-29938-45-0-1 |
| | 5000 | 1 | 6-29938-50-0-1/5 |
| | 6700 | 1 | 6-29938-67-0-1 |
| | Optional part | | |
| | Wall tie | 1 | 9-40086-00-0-1 |
| | <p>Wall tie</p> | | |
| All profile systems | | | |
| <p>Rail for fixed sash 1 P 1633</p> | Rail for fixed sash 1 P 1633 Length mm = SW | | |
| | 1500 [1] | 1 | 9-40300-15-0-1 |
| | 2000 [1] | 1 | 9-40300-20-0-1 |
| | 2500 [1] | 1 | 9-40300-25-0-1/5 |
| | 3350 [3] | 1 | 9-40300-33-0-1 |
| | 6700 [3] | 1 | 9-40300-67-0-1 |
| <p>Rail for fixed sash 2 P 1633 with drain</p> | Rail for fixed sash 2 P 1633 with drain Length mm = SW | | |
| | 1500 [1] | 1 | 9-39310-15-0-1 |
| | 2000 [1] | 1 | 9-39310-20-0-1 |
| | 2500 [1] | 1 | 9-39310-25-0-1/5 |
| | 3350 [3] | 1 | 9-39310-33-0-1 |
| Gealan 8000 (A + C), Salamander iD (A + C), Roplasto 4001 (A + C) | | | |
| <p>Rail for fixed sash P 1634</p> | Rail for fixed sash P 1634 Length mm = SW | | |
| | 1500 [1] | 1 | 9-39309-15-0-1 |
| | 2000 [1] | 1 | 9-39309-20-0-1 |
| | 2500 [1] | 1 | 9-39309-25-0-1/5 |
| | 3350 [3] | 1 | 9-39309-33-0-1 |
| | 6700 [3] | 1 | 9-39309-67-0-1 |
| Thyssen AD, Veka Softline 58 | | | |
| <p>Intermediate profile 30 P 1678</p> | Intermediate profile 30 P 1678 Length mm = SW | | |
| | 1500 [1] | 1 | 9-40384-15-0-6 |
| | 2000 [1] | 1 | 9-40384-20-0-6 |
| | 2500 [1] | 1 | 9-40384-25-0-6 |
| | 3350 [3] | 1 | 9-40384-33-0-6 |
| Deceuninck, Gealan 8000, Salamander iD, Roplasto 4001 | | | |
| <p>Intermediate profile 41 P 1641</p> | Intermediate profile 41 P 1641 Length mm = SW | | |
| | 1500 [1] | 1 | 9-39317-15-0-6 |
| | 2000 [1] | 1 | 9-39317-20-0-6 |
| | 2500 [1] | 1 | 9-39317-25-0-6 |
| | 3350 [3] | 1 | 9-39317-33-0-6 |
| Aluplast Ideal 4000, EuroFutur/PremiDoor, Rehau Brilliant Design, Veka Topline/Softline 70 | | | |
| <p>Intermediate profile 42 P 1677</p> | Intermediate profile 42 P 1677 Length mm = SW | | |
| | 1500 [1] | 1 | 9-40382-15-0-6 |
| | 2000 [1] | 1 | 9-40382-20-0-6 |
| | 2500 [1] | 1 | 9-40382-25-0-6 |
| | 3350 [3] | 1 | 9-40382-33-0-6 |
| Schüco Corona CT 70 | | | |
| <p>Intermediate profile 45 P 1682</p> | Intermediate profile 45 P 1682 Length mm = SW | | |
| | 1500 [1] | 1 | 9-40413-15-0-6 |
| | 2000 [1] | 1 | 9-40413-20-0-6 |
| | 2500 [1] | 1 | 9-40413-25-0-6 |
| | 3350 [3] | 1 | 9-40413-33-0-6 |
| All profile systems | | | |
| <p>Gasket P 1645</p> | Gasket P 1645, 3350 mm [1] 1 9-39736-33-0-6 | | |

[1] = Contained in box of rail for fixed sash
[3] = Additional stock lengths

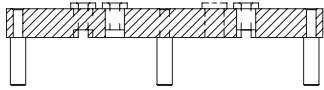
G.U-thermostep – thermally broken threshold Running rails, gaskets, tread threshold, drip rails

| Profile system / Illustration | Description | PU | Article No. |
|--|--|----|----------------|
| Rehau Brillant Design, Schüco Corona CT 70, Veka Softline 58 | Running rail 10 P 1659 Length mm = TFW | | |
|  | 3000 [2] | 1 | 9-39330-30-0-* |
| | 3500 [2] | 1 | 9-39330-35-0-* |
| | 4000 [2] | 1 | 9-39330-40-0-* |
| | 4500 [2] | 1 | 9-39330-45-0-* |
| | 5000 [2] | 1 | 9-39330-50-0-* |
| | 6700 [3] | 1 | 9-39330-67-0-* |
| Aluplast Ideal 4000, EuroFutur/PremiDoor | Running rail 13 P 1690 Length mm = TFW | | |
|  | 3000 [2] | 1 | 9-41254-30-0-* |
| | 3500 [2] | 1 | 9-41254-35-0-* |
| | 4000 [2] | 1 | 9-41254-40-0-* |
| | 4500 [2] | 1 | 9-41254-45-0-* |
| | 5000 [2] | 1 | 9-41254-50-0-* |
| | 6700 [3] | 1 | 9-41254-67-0-* |
| Deceuninck, Gealan 8000, Roplasto 4001, Salamander iD, Thyssen AD | Running rail 15 P 1635 Length mm = TFW | | |
|  | 3000 [2] | 1 | 9-39311-30-0-* |
| | 3500 [2] | 1 | 9-39311-35-0-* |
| | 4000 [2] | 1 | 9-39311-40-0-* |
| | 4500 [2] | 1 | 9-39311-45-0-* |
| | 5000 [2] | 1 | 9-39311-50-0-* |
| | 6700 [3] | 1 | 9-39311-67-0-* |
| Veka Topline/Softline 70 | Running rail 16.5 P 1675 Length mm = TFW | | |
|  | 3000 [2] | 1 | 9-40380-30-0-* |
| | 3500 [2] | 1 | 9-40380-35-0-* |
| | 4000 [2] | 1 | 9-40380-40-0-* |
| | 4500 [2] | 1 | 9-40380-45-0-* |
| | 5000 [2] | 1 | 9-40380-50-0-* |
| | 6700 [3] | 1 | 9-40380-67-0-* |
| All profile systems | Tread threshold P 1642 Length mm = SW | | |
|  | 1500 [2] | 1 | 9-39318-15-0-* |
| | 2000 [2] | 1 | 9-39318-20-0-* |
| | 2500 [2] | 1 | 9-39318-25-0-* |
| | 3350 [3] | 1 | 9-39318-33-0-* |
| | | 1 | 9-40858-00-0-5 |
| Deceuninck, Gealan 8000, Rehau Brillant Design, Roplasto 4001, Salamander iD, Schüco Corona CT 70 | Drip rail 144 P 1639 Length mm = TFW | | |
|  | 3000 [2] | 1 | 9-39615-30-0-* |
| | 3500 [2] | 1 | 9-39615-35-0-* |
| | 4000 [2] | 1 | 9-39615-40-0-* |
| | 4500 [2] | 1 | 9-39615-45-0-* |
| | 5000 [2] | 1 | 9-39615-50-0-* |
| | 6700 [3] | 1 | 9-39615-67-0-* |
| Thyssen AD, Veka Softline 58 | Drip rail 161 P 1667 Length mm = TFW | | |
|  | 3000 [2] | 1 | 9-40182-30-0-* |
| | 3500 [2] | 1 | 9-40182-35-0-* |
| | 4000 [2] | 1 | 9-40182-40-0-* |
| | 4500 [2] | 1 | 9-40182-45-0-* |
| | 5000 [2] | 1 | 9-40182-50-0-* |
| | 6700 [3] | 1 | 9-40182-67-0-* |
| Aluplast Ideal 4000, EuroFutur/PremiDoor, Veka Topline/Softline 70 | Drip rail 175 P 1676 Length mm = TFW | | |
|  | 3000 [2] | 1 | 9-40381-30-0-* |
| | 3500 [2] | 1 | 9-40381-35-0-* |
| | 4000 [2] | 1 | 9-40381-40-0-* |
| | 4500 [2] | 1 | 9-40381-45-0-* |
| | 5000 [2] | 1 | 9-40381-50-0-* |
| | 6700 [3] | 1 | 9-40381-67-0-* |
| | | | |
| | Drip rail 190 P 1716 Length mm = TFW | | |
|  | 6000 [3] | 1 | P-01716-60-0-* |
| | 6700 [3] | 1 | P-01716-67-0-* |

[2] = Contained in box of tread threshold
[3] = Additional stock lengths

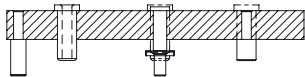
G.U-thermostep – thermally broken threshold Anti moisture foil, drilling jigs

| Profile system / Illustration | Description | PU | Article No. |
|-------------------------------|---------------------------------|----|----------------|
| All profile systems | Anti moisture foil, 50 m | 1 | 9-39737-25-0-6 |

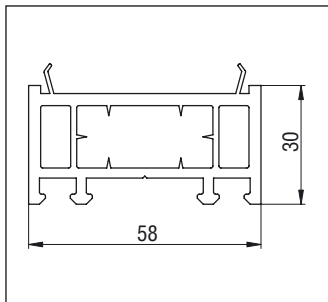


Drilling jigs

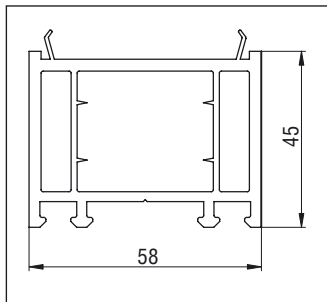
| | | |
|----------------------------------|---|----------------|
| VEKA Softline | 1 | 6-30745-00-0-0 |
| Aluplast Ideal 4000 | 1 | 6-31900-01-0-0 |
| Deceuninck | 1 | 6-31900-02-0-0 |
| Gealan S 8000 | 1 | 6-31900-08-0-0 |
| Rehau Brillant Design | 1 | 6-31900-09-0-0 |
| Schüco Corona CT 70 | 1 | 6-31900-07-0-0 |
| Thyssen AD | 1 | 6-31900-06-0-0 |
| VEKA Softline 70, VEKA Topline | 1 | 6-31120-00-0-0 |
| Kö-Profine EuroFutur / PremiDoor | 1 | 6-33104-00-0-0 |



G.U-thermostep – PVC enlargement profiles to be clipped on



Enlargement profile HVA – 30 mm

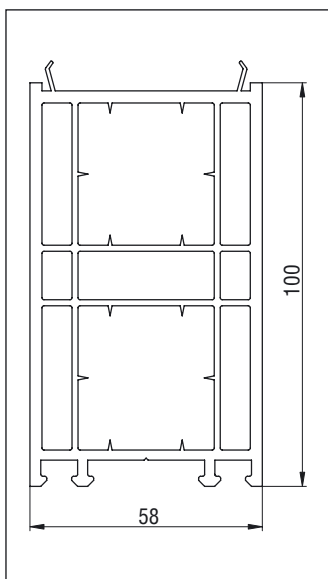


Enlargement profile HVA – 45 mm

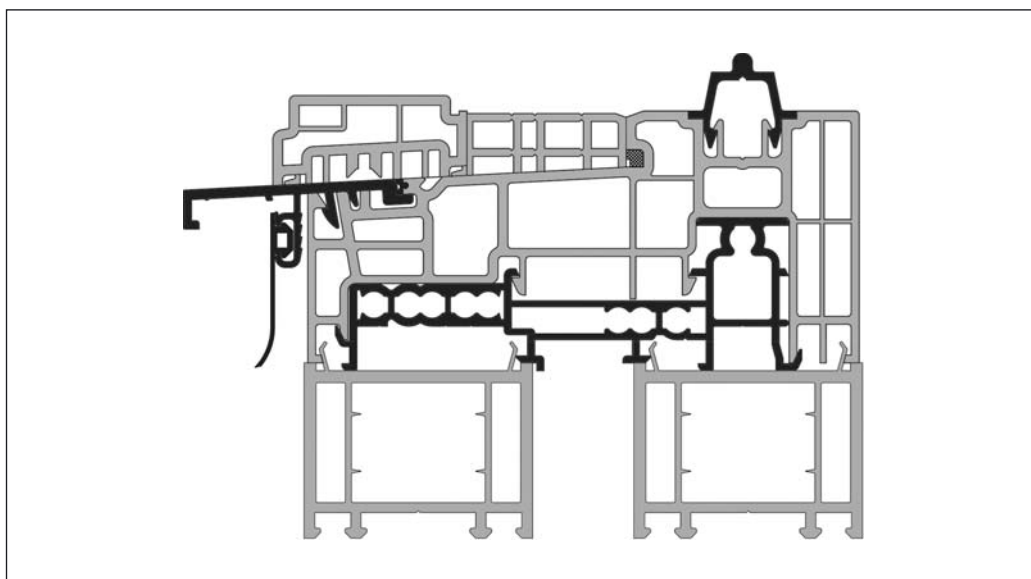
For the heat insulating connection of thermostep thresholds to the building structure underneath. Available heights: 30, 45 and 100 mm.

PVC enlargement profile HVA

| PG | Description | Width mm | Colour | PU | Article No. |
|-----|-------------------------|----------|--------|------|----------------|
| YPS | Enlargement profile HVA | 30 | white | 26 m | H-00474-00-0-7 |
| | | 45 | white | 26 m | H-00474-01-0-7 |
| | | 100 | white | 13 m | H-00474-02-0-7 |



Enlargement profil HVA – 100 mm



Installation example: G.U-thermostep enlargement profile HVA 45

G.U-thermostep – Fitting requirements



G.U-thermostep – thermally broken threshold

Sets for lift-slide and lift-tilt-slide units according to schemes A to K

| Scheme | | | | | | PU | Aluplast Ideal 4000 | Deceuninck | EuroFutur / PremiDoor | Gealan 8000 | Rehau [5] Brilliant Design | Salamander iD | Roplasto 4001 |
|--------|-------|-------|-------|-------|-------|----|--|------------|--------------------------|----------------|-------------------------------|----------------|----------------|
| A | C | D | F | G | K | | | | | | | | |
| 1/RAB | 1/RAB | 1/RAB | 1/RAB | 1/RAB | 1/RAB | | G.U-thermostep basic profile [1] | 1 | 6-29938-**-0-* | 6-29938-**-0-* | 6-29938-**-0-* | 6-29938-**-0-* | 6-29938-**-0-* |
| 1/RAB | 1/RAB | | | | | | Box of tread threshold [2] | 1 | K-15877-**-0-* | K-15655-**-0-* | K-15877-**-0-* | K-15655-**-0-* | K-15655-**-0-* |
| 1/FF | 2/FF | | | | | | Box of rail for fixed sash A [3] | 1 | K-16395-**-0-* | K-16648-**-0-* | K-17064-**-0-* | K-16393-**-0-* | K-16393-**-0-* |
| | | 1/FB | 2/FB | | | | Box of rail for fixed sash D [3] | 1 | K-16396-**-0-* | K-16649-**-0-* | K-17065-**-0-* | K-16394-**-0-* | K-16394-**-0-* |
| 1/RAB | 1/RAB | 1/RAB | 1/RAB | 1/RAB | 1/RAB | | Anti moisture foil, 50 m | 1 | 9-39737-25-0-6 | 9-39737-25-0-6 | 9-39737-25-0-6 | 9-39737-25-0-6 | 9-39737-25-0-6 |
| 1/m | 1/m | 1/m | 1/m | 1/m | 1/m | | Wall tie [4] | 1 | 9-40086-00-0-3 | 9-40086-00-0-3 | 9-40086-00-0-3 | 9-40086-00-0-3 | 9-40086-00-0-3 |
| | | | | 2/FF | 1/FF | | Rail for fixed sash-1 P 1633 [3] | 1 | 9-40300-**-0-* | 9-40300-**-0-* | 9-40300-**-0-* | 9-40300-**-0-* | 9-40300-**-0-* |
| | | | | | | | Rail for fixed sash-2 P 1633 [3] with drain | 1 | 9-39310-**-0-* | 9-39310-**-0-* | 9-39310-**-0-* | 9-39310-**-0-* | 9-39310-**-0-* |
| | | | 2/FF | 1/FF | | | Intermediate profile | 1 | 9-40382-**-0-6 | 9-39317-**-0-6 | 9-40382-**-0-6 | 9-39317-**-0-6 | 9-39317-**-0-6 |
| | | | 2 | 2 | | | Bag of accessories A | 1 | K-16411-00-0-6 | K-16650-00-0-6 | K-17066-00-0-6 | K-16409-00-0-6 | K-16409-00-0-6 |
| | | | | | | | Bag of accessories D | 1 | K-16412-00-0-6 | K-16651-00-0-6 | K-17067-00-0-6 | K-16410-00-0-6 | K-16410-00-0-6 |
| | | 1/FB | 2/FB | | | | Decor foil, brown – 10 m (only with UC 5) | 1 | 9-40858-00-0-5 | 9-40858-00-0-5 | 9-40858-00-0-5 | 9-40858-00-0-5 | 9-40858-00-0-5 |
| | | 1/RAB | 1/RAB | | | | Running rail [2] | 1 | 9-41254-**-0-* | 9-39311-**-0-* | 9-41254-**-0-* | 9-39311-**-0-* | 9-39311-**-0-* |
| | | | | 1/FB | 2/FB | | Tread threshold [2] | 1 | 9-39318-**-0-* | 9-39318-**-0-* | 9-39318-**-0-* | 9-39318-**-0-* | 9-39318-**-0-* |
| | | 1/RAB | 1/RAB | 1/RAB | 1/RAB | | Drip rail [2] | 1 | 9-40381-**-0-* | 9-39615-**-0-* | 9-40381-**-0-* | 9-39615-**-0-* | 9-39615-**-0-* |

| Scheme | | | | | | PU | Schüco Corona CT 70 | Thyssen AD | Veka Softline 58 | Veka Softline 70 Veka Topline | Legend | | |
|--------|-------|-------|-------|-------|-------|----|--|------------|------------------|----------------------------------|----------------|---|----------------|
| A | C | D | F | G | K | | | | | | | | |
| 1/RAB | 1/RAB | 1/RAB | 1/RAB | 1/RAB | 1/RAB | | G.U-thermostep basic profile [1] | 1 | 6-29938-**-0-* | 6-29938-**-0-* | 6-29938-**-0-* | TFW = Total frame width 3000 mm -**- = Size 30 3500 mm -**- = Size 35 4000 mm -**- = Size 40 4500 mm -**- = Size 45 5000 mm -**- = Size 50 6700 mm -**- = Size 67, stock length SW = Sash width 1500 mm -**- = Size 15 2000 mm -**- = Size 20 2500 mm -**- = Size 25 3350 mm -**- = Size 33 FS = Fixed sash 1500 mm -**- = Size 15 2000 mm -**- = Size 20 2500 mm -**- = Size 25 3350 mm -**- = Size 33 6700 mm -**- = Size 67, stock length | |
| 1/RAB | 1/RAB | | | | | | Box of tread threshold [2] | 1 | K-16643-**-0-* | K-15875-**-0-* | K-15657-**-0-* | | K-15659-**-0-* |
| 1/FF | 2/FF | | | | | | Box of rail for fixed sash A [3] | 1 | K-16644-**-0-* | K-16389-**-0-* | K-15662-**-0-* | | K-15664-**-0-* |
| | | 1/FB | 2/FB | | | | Box of rail for fixed sash D [3] | 1 | K-16645-**-0-* | K-16390-**-0-* | K-15663-**-0-* | | K-15701-**-0-* |
| 1/RAB | 1/RAB | 1/RAB | 1/RAB | 1/RAB | 1/RAB | | Anti moisture foil, 50 m | 1 | 9-39737-25-0-6 | 9-39737-25-0-6 | 9-39737-25-0-6 | | 9-39737-25-0-6 |
| 1/m | 1/m | 1/m | 1/m | 1/m | 1/m | | Wall tie [4] | 1 | 9-40086-00-0-3 | 9-40086-00-0-3 | 9-40086-00-0-3 | | 9-40086-00-0-3 |
| | | | | 2/FF | 1/FF | | Rail for fixed sash-1 P 1633 [3] | 1 | 9-40300-**-0-* | 9-40300-**-0-* | 9-40300-**-0-* | | 9-40300-**-0-* |
| | | | | | | | Rail for fixed sash-2 P 1633 [3] with drain | 1 | 9-39310-**-0-* | 9-39310-**-0-* | 9-39310-**-0-* | | 9-39310-**-0-* |
| | | | 2/FF | 1/FF | | | Intermediate profile | 1 | 9-40413-**-0-6 | 9-40384-**-0-6 | 9-40384-**-0-6 | | 9-40382-**-0-6 |
| | | | 2 | 2 | | | Bag of accessories A | 1 | K-16646-00-0-6 | K-16405-00-0-6 | K-15702-00-0-6 | | K-15704-00-0-6 |
| | | | | | | | Bag of accessories D | 1 | K-16647-00-0-6 | K-16406-00-0-6 | K-15703-00-0-6 | | K-15705-00-0-6 |
| | | 1/FB | 2/FB | | | | Decor foil, brown – 10 m (only with UC 5) | 1 | 9-40858-00-0-5 | 9-40858-00-0-5 | 9-40858-00-0-5 | | 9-40858-00-0-5 |
| | | 1/RAB | 1/RAB | | | | Running rail [2] | 1 | 9-39330-**-0-* | 9-39311-**-0-* | 9-39330-**-0-* | | 9-40380-**-0-* |
| | | | | 1/FB | 2/FB | | Tread threshold [2] | 1 | 9-39318-**-0-* | 9-39318-**-0-* | 9-39318-**-0-* | | 9-39318-**-0-* |
| | | 1/RAB | 1/RAB | 1/RAB | 1/RAB | | Drip rail [2] | 1 | 9-39615-**-0-* | 9-40182-**-0-* | 9-40182-**-0-* | | 9-40381-**-0-* |

[1] * = Colour: 1 = EV 1, 5 = UC 5 (only size 50)

[3] * = Colour: 1 = EV 1, 5 = UC 5 (only size 25)

[2] * = Colour: 1 = EV 1, 5 = UC 5

[4] = 1 wall tie per m of G.U-thermostep basic profile

[5] Only schemes A and C

Alternatively: Box of tread threshold 5/144 K-15658-00-0-* with running rail 5 P 1636 9-39312-**-0-*

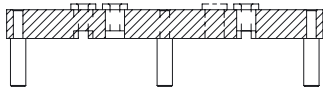
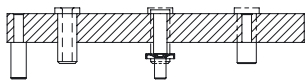
Lift-slide and lift-tilt-slide fittings for PVC windows and patio doors

| Application | Description | PU | Article No. |
|----------------------|-------------------------------|----|----------------|
| Assembly of fittings | Drilling jig for handle | 1 | 9-27272-00-0-0 |
| | Centre punch for locking bolt | 1 | 9-27315-00-0-0 |

Thresholds for PVC patio doors

| Application | Description | PU | Article No. |
|-------------|----------------------------------|----|----------------|
| Assembly | Assembly template G.U-thermostep | 1 | 9-40563-00-0-0 |

G.U-thermostep for PVC patio doors

| Application | Description | PU | Article No. | |
|---|---|----------------------------------|----------------|----------------|
|  | Drilling jigs | | | |
| | VEKA Softline 58 | 1 | 6-30745-00-0-0 | |
| | Aluplast Ideal 4000 | 1 | 6-31900-01-0-0 | |
| | Deceuninck | 1 | 6-31900-02-0-0 | |
| | Gealan S 8000 | 1 | 6-31900-08-0-0 | |
| | Rehau Brillant Design | 1 | 6-31900-09-0-0 | |
| | Schüco Corona CT 70 | 1 | 6-31900-07-0-0 | |
| | Thyssen AD | 1 | 6-31900-06-0-0 | |
| |  | VEKA Softline 70, VEKA Topline | 1 | 6-31120-00-0-0 |
| | | Kö-Profine EuroFutur (PremiDoor) | 1 | 6-33104-00-0-0 |

Order catalogue part 5 Horizontal pivot fittings for PVC windows

Contents

The present catalogue part contains all horizontal pivot fittings for PVC windows and accessories according to the latest state of the art. The following indications will make you familiar with the concept of the catalogue and help you to handle it easily.

Catalogue structure

The present catalogue part is structured in the following way:

- Optional parts and turn handles
- Sets
- Drilling and assembly tools

Optional parts and turn handles

The option pages show you optional parts and turn handles for all horizontal pivot fittings at a glance. All supplements of standard versions are clearly arranged.

Sets

Fitting requirements according to sash size and scheme

The illustrations of the fittings are supplemented by corresponding parts tables helping to determine the hardware composition.

Parts supplementing standard versions are clearly presented and can be easily selected.

Drilling and positioning jigs

Drilling jigs, positioning jigs and auxiliary tools for hardware assembly are grouped according to fitting types.

Order numbers

The order number gives information about

- the article
- its size
- its application - e.g. DIN lh or DIN rh
- its colour/finish

Example

Order number
9-32821-01-0-3

| | | |
|----------|------|---|
| 9-32821- | - - | Article number |
| - | -01- | Size |
| - | -L- | Left hand assembly |
| - | -R- | Right hand assembly |
| - | -0- | Usable on both sides |
| - | - -1 | F 1/EV 1, natural (silver colour), ferGUard*silver |
| - | - -2 | F 2/EV 2, champagne colour |
| - | - -3 | F 3, brass colour or gold colour |
| - | - -4 | UC 3, middle bronze or middle brown |
| - | - -A | F 4, bronze colour |
| - | - -C | Titanium colour |
| - | - -5 | UC 5, dark bronze or dark brown |
| - | - -6 | Onyx matt or black |
| - | - -7 | White, powder coated (RAL 9016) |
| - | - -* | Surface treatment variable (available colours see price list) |

Prices

Single part price list "Total programme"

The prices are listed by ascending article numbers.

Additional sales documentation

Apart from the order catalogue, the following documentation on horizontal pivot fittings is available:

- Brochures and leaflets informing about product features and advantages
- Presentation boards of all fitting versions
- Working drawings with mounting instructions
- Instructions for maintenance and care

G.U Data service

HardwareManager

Software designed for the composition and ordering of customer and order related hardware sets for timber and PVC windows and patio doors.

Hardware Data Service

Generation of individual hardware data for the leading window manufacturing software programmes; supply of CNC data for the control of operating processes in window and door manufacture.

Order and customer information system CIS

The CIS system offers versatile communication possibilities:

- online ordering
 - availability check
 - order tracing
 - information on current product range and prices
- Contact: <http://cis.g-u.de>

Horizontal and vertical pivot fittings

According to the defined manufacturer's liability described in paragraph 4 of the German "product liability law", the following information regarding horizontal and vertical pivot fittings for windows should be observed. Non-compliance exempts the manufacturer of his liability.

1. Product information and specified application

Horizontal and vertical pivot hardware as covered by this definition is one-hand operated hardware for windows in building construction. It is used to bring window sashes in a ventilation position by operating a handle. The opening angle of the sash may be limited either by the handle or by a locking device in the pivot bearing.

Horizontal and vertical pivot hardware is used on vertically installed windows made of timber, PVC, aluminium or steel and their corresponding material combinations.

Customary horizontal and vertical pivot fittings as covered by this definition close window sashes and bring them in various ventilation positions. When closing, the gasket counterforce must be overcome as a rule.

Differing applications are not in compliance with the hardware's specified application.

Burglar-resistant windows, windows for damp rooms and those for use in environments with aggressive, corrosive air content require special hardware.

Opened windows achieve only a shielding function and do not meet any demands on joint impermeability, water tightness, sound reduction, heat insulation and burglary resistance.

A limited opened position is achieved with additional hardware only.

2. Misuse

Misuse – therefore not the specified product utilisation – of horizontal and vertical pivot hardware for windows occurs in particular:

- if obstacles are inserted into the opening vicinity, thus preventing its proper specified use,
- if additional loads are put on window sashes,
- if while closing, someone reaches in the rebate between sash and frame.

3. Liability

The respective entire hardware set may only consist of G.U hardware components. In the case of inappropriately assembled hardware, and/or in case of non original accessory components and/or non factory-approved accessory components, no liability is accepted.

For professional assembly G.U working drawings and mounting instructions are to be consulted.

4. Product performance

4.1 Maximum sash weights

The following listed maximum sash weights for the individual hardware versions must not be exceeded.

| Type of hardware | Maximum sash weight kg |
|------------------|---------------------------|
| UNITAS 16 | 175 |

4.2 Sash dimensions

By no means must the maximum sash rebate widths and heights be exceeded, the maximum sash weights neither.

4.3 Hardware composition

The manufacturer's regulations concerning the composition of hardware are obligatory.

5. Product maintenance

Security relevant hardware components are to be examined at least once a year for stability and wear and tear. Depending on the requirements, the fixing screws are to be tightened and/or parts replaced. In addition to this, the following maintenance work is to be carried out annually:

- All movable parts and all locking points of horizontal and vertical pivot hardware are to be greased and tested.
- Only cleaning and maintenance agents which do not damage the corrosion protection of the hardware components are to be used.

Hardware adjustments (especially in the area of the pivot bearings), the replacement of parts as well as the hinging and unhinging of sashes are to be carried out by a specialist company.

6. Obligation to issue information and instructions

To fulfil the information and instruction obligations as well as the maintenance operations according to the "product liability law", the following documentation is made available:

- for planning engineers "planning documents"
- for authorized dealers "catalogues"
- for fabricators "installation instructions" and "assembly drawings"
- for builders and end users: "service and maintenance instructions" as well as "operating manuals".

In order to safeguard the function of horizontal and vertical hardware for windows:

- Planning engineers are obliged to request and comply with the manufacturers' or authorized dealers' product information.
- The authorized dealers are obliged to observe and request the product information from the manufacturer and to pass them on to the fabricators, in particular installation instructions, assembly drawings, service and maintenance instructions as well as operating manuals.
- Fabricators are obliged to observe the product information and in particular to request service and maintenance instructions as well as operating manuals from the manufacturer or authorized dealer and to pass them on to the builders and end users.

7. Applicability for related hardware

The variations possible within the individual hardware system are to be treated according to the corresponding valid features of product performance, product maintenance, specified use/application and misuse, product information and instruction obligations.

Horizontal pivot fittings for PVC windows

Application

Range of application for UNITAS horizontal pivot fittings:

- Horizontal pivot windows with peripheral gasket
- Fan-lights equipped with fan-light openers

Designs

Horizontal pivot UNITAS 16

Compact screw-on pivot made of non-ferrous metal, for sashes up to 175 kg. Standard version in monobloc construction, exactly adapted to the specifications of various profile systems. Sealing with silicone gaskets.

Handles

The handles DIRIGENT-T are provided with cockspur for slit ventilation. Handles DIRIGENT-S without cockspur complete the programme.

Central locking system G.U-FERCO 340

The roller pin locking mechanism is concealed within the rebate and is operated by one handle. All locking parts are adapted to the standard hardware groove: width 16.3 mm, depth 2.5 mm.

The locking parts and corner transmissions are equipped with adjustable roller pins. The push rods are connected by rack couplings on both sides, secured by gear overlaps.

The gears, centre and extension pieces are fixed in middle position for installation. The corner transmissions are equipped with 3 stainless steel spring blades.

Standard colours

Horizontal pivot fittings are supplied in the following standard colours:

- EV 1** Handle DIRIGENT anodized EV 1, pivots with baked enamel finish in silver colour
- UC 5** Handle DIRIGENT anodized UC 5, pivots with baked enamel finish in dark bronze colour
- White** Handle DIRIGENT anodized EV 1, pivots with baked enamel finish in white colour

Further colours and finishes on request.

Materials, surface sealing ferGUard*silver

The fitting parts are made of high quality steel, zinc die-casting and aluminium alloys.

According to the material they are protected against corrosion by the surface sealing ferGUard*silver, aluminium parts are anodised.

Standard surface sealing of horizontal and vertical pivot fittings: ferGUard*silver

All locking components of horizontal and vertical pivot fittings come with the surface sealing ferGUard*silver.

Abbreviations

- SRH Sash rebate height
- SRW Sash rebate width
- PU Packing unit

Profile system manufacturers' information

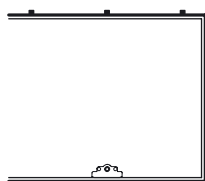
It is important to observe the product information issued by profile system manufacturers, especially information concerning construction and fabrication, maximum sash dimensions and weights and material features such as linear expansion of profiles.

Application

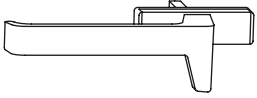
| Profile system | Fittings | Central locking system | Sash profile | Frame profile | Standard assembly drawing |
|-------------------------------|-----------|------------------------|-------------------------------|---------------|---------------------------|
| Aluplast Ideal 4000 | UNITAS 16 | G.U-FERCO 340 | 140031 | 140003 | 0-44047 |
| Aluplast Signum 23 | UNITAS 16 | G.U-FERCO 340 | 3005500 | 3005600 | 0-41978 |
| Brüggmann Serie 81 | UNITAS 16 | G.U-FERCO 340 | HF 470 | HF 430 | 0-41974 |
| Deceuninck Mondial | UNITAS 16 | G.U-FERCO 340 | P 2023 | P 2010 | 0-43314 |
| Deceuninck Zendow | UNITAS 16 | G.U-FERCO 340 | P 3062 | P 3001 | 0-44416 |
| Gealan S 8000 | UNITAS 16 | G.U-FERCO 340 | 8078 | 8008 | 0-44233 |
| HT-Troplast Trocal 900 | UNITAS 16 | G.U-FERCO 340 | TF 923 | TF 911 | 0-41983 |
| HT-Troplast Confort | UNITAS 16 | G.U-FERCO 340 | 120300 | 110200 | 0-43676 |
| KBE 58 AD | UNITAS 16 | G.U-FERCO 340 | 519 | 106 | 0-42386 |
| KBE 70 AD | UNITAS 16 | G.U-FERCO 340 | 374 | 370 | |
| Kö-Profine Eurodur 3S | UNITAS 16 | G.U-FERCO 340 | 1418 | 1401 | 0-42030 |
| Kö-Profine EuroFutur Classic | UNITAS 16 | G.U-FERCO 340 | 2418 | 2402 | 0-44318 |
| Kö-Profine EuroFutur Elegance | UNITAS 16 | G.U-FERCO 340 | 0118 | 0102 | 0-44319 |
| Rehau Brillant Design | UNITAS 16 | G.U-FERCO 340 | 550400 | 550000 | |
| Rehau S 730 | UNITAS 16 | G.U-FERCO 340 | 541170 | 541060 | 0-43006 |
| Thyssen AD | UNITAS 16 | G.U-FERCO 340 | TS 20 | L 10 | 0-43080 |
| Thyssen Delux | UNITAS 16 | G.U-FERCO 340 | (assembly as with Thyssen AD) | | 0-43080 |
| Thyssen Elite | UNITAS 16 | G.U-FERCO 340 | H 730 | L 710 | |
| Veka Softline | UNITAS 16 | G.U-FERCO 340 | 102.115 | 101.086 | 0-42940 |
| Veka Topline | UNITAS 16 | G.U-FERCO 340 | 103.205 | 103.212 | 0-44452 |

Arrangement of horizontal pivot fittings

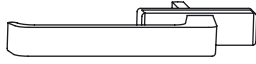
Central locking system G.U-FERCO 340 with roller pins



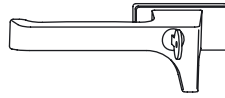
Horizontal pivot fittings for PVC windows



Handle DIRIGENT-T 45
6-29186-**-0-*
Handle DIRIGENT-T 46
6-29187-**-0-*
Handle DIRIGENT-T 49
6-29188-**-0-*



Handle DIRIGENT-S 44
6-29189-**-0-*



Handle DIRIGENT-F/Z
lockable,
for PVC windows on request



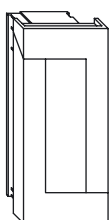
Automatic 180° locking latch
9-20017-00-0-0

Horizontal pivot fittings UNITAS 16 – Basic boxes and locking plates for SRW 1951 - 2950

Fitting requirements

| Basic boxes UNITAS 16 [1] | | | | Locking plate, top SRW 1951-2950 | | | Locking plate, bottom SRW 1951-2950 | | |
|---------------------------|--------------------------------------|----|----------------|-------------------------------------|-----|----------------|--|-----|----------------|
| Quantity | Profile system | PU | Article No. | Quantity | PU | Article No. | Quantity | PU | Article No. |
| 1 | Aluplast Ideal 4000 | 1 | K-15634-00-0-* | 1 | 20 | 9-40309-00-0-1 | 1 | 100 | E-13534-12-0-1 |
| 1 | Aluplast Signum 23 | 1 | K-13853-00-0-* | 1 | 20 | 9-32904-00-0-1 | 1 | 20 | 9-32904-00-0-1 |
| 1 | Brüggmann Serie 81 | 1 | K-13310-00-0-* | 1 | 20 | 9-32904-00-0-1 | 1 | 20 | 9-32904-00-0-1 |
| 1 | Deceuninck Mondial | 1 | K-14754-00-0-* | 1 | 20 | 9-32905-00-0-1 | 1 | 20 | 9-32904-00-0-1 |
| 1 | Deceuninck Zendow | 1 | K-16966-00-0-* | 1 | 100 | 9-42892-00-0-1 | 1 | 100 | E-13534-12-0-1 |
| 1 | Gealan S 8000 | 1 | K-16541-00-0-* | 1 | 20 | 9-32852-00-0-1 | 1 | 100 | E-13534-12-0-1 |
| 1 | HT-Troplast Trocal 900 | 1 | K-13318-00-0-* | 1 | 20 | 9-32906-00-0-1 | 1 | 100 | 9-30806-00-0-1 |
| 1 | HT-Troplast Confort | 1 | K-15143-00-0-* | 1 | 20 | 9-38326-00-0-1 | 1 | 100 | E-13534-12-0-1 |
| 1 | KBE 58 AD | 1 | K-13917-00-0-* | 1 | 100 | 9-30147-00-0-1 | 1 | 20 | 9-32904-00-0-1 |
| 1 | KBE 70 AD | 1 | K-17136-00-0-* | 1 | 20 | 9-40309-00-0-1 | 1 | 100 | E-13534-12-0-1 |
| 1 | Kö-Profine Eurodur 3S | 1 | K-13699-00-0-* | 1 | 20 | 9-33808-00-0-1 | 1 | 100 | 9-30146-17-0-1 |
| 1 | Kö-Profine EuroFutur Classic | 1 | K-16746-00-0-* | 1 | 20 | 9-32909-00-0-1 | 1 | 100 | E-13534-12-0-1 |
| 1 | Kö-Profine EuroFutur Elegance | 1 | K-16747-00-0-* | 1 | 20 | 9-32909-00-0-1 | 1 | 100 | E-13534-12-0-1 |
| 1 | Rehau Brillant Design | 1 | K-17130-00-0-* | 1 | 100 | 9-42968-00-0-1 | 1 | 100 | E-13534-12-0-1 |
| 1 | Rehau S 730 | 1 | K-14452-00-0-* | 1 | 20 | 9-33808-00-0-1 | 1 | 100 | 9-30146-23-0-1 |
| 1 | Thyssen AD | 1 | K-14292-00-0-* | 1 | 20 | 9-36228-00-0-1 | 1 | 100 | 9-32908-00-0-1 |
| 1 | Thyssen Deluxe | 1 | K-14292-00-0-* | 1 | 20 | 9-36228-00-0-1 | 1 | 100 | 9-32908-00-0-1 |
| 1 | Thyssen Elite | 1 | K-17070-00-0-* | 1 | 100 | 9-35858-00-0-1 | 1 | 100 | E-13534-12-0-1 |
| 1 | Veka Softline | 1 | K-14315-00-0-* | 1 | 20 | 9-32908-00-0-1 | 1 | 20 | 9-32904-00-0-1 |
| 1 | Veka Topline | 1 | K-17045-00-0-* | 1 | 100 | E-13534-12-0-1 | 1 | 100 | E-13534-12-0-1 |

[1] * = Colour: 5W = UC 5, 7W = white

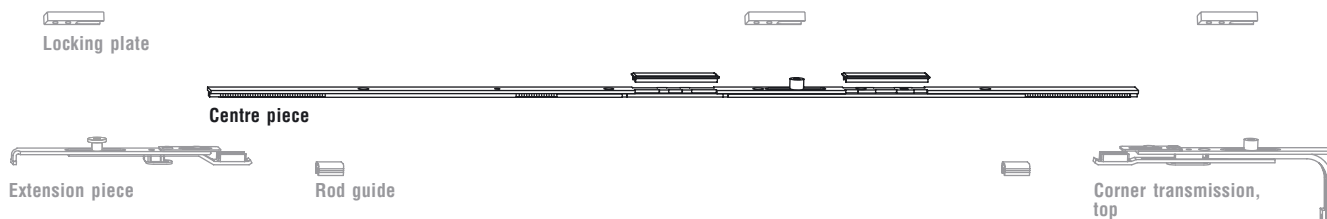


Horizontal pivot
UNITAS 16

Central locking system G.U-FERCO 340



Profile systems Aluplast Signum 23, Brüggmann Serie 81, Gealan S 8000, Veka Softline



Fitting requirements according to size of sashes

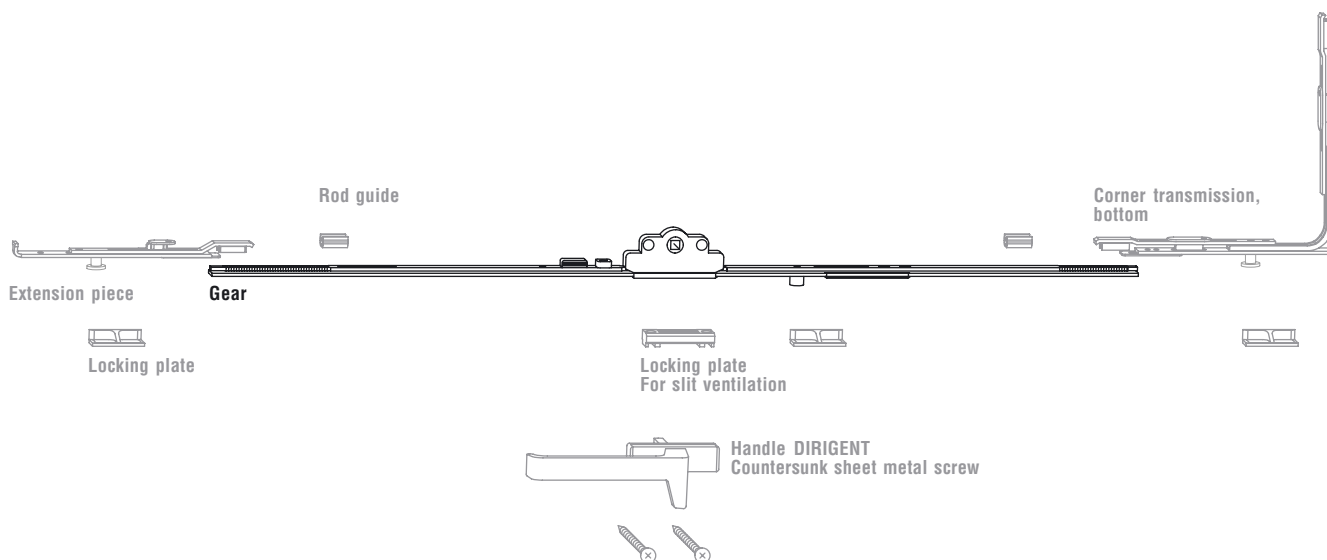
| Quantity | Description | PU | Article No. |
|----------|--|-----------|------------------|
| 1 | Bag of central locking system G.U-FERCO 340 | | |
| | SRW [1] | | |
| | SRH [2] | | |
| | - 950 | 700- 950 | 1 K-13536-00-0-1 |
| | | 951-1200 | 1 K-13537-00-0-1 |
| | | 1201-1700 | 1 K-13538-00-0-1 |
| | | 1701-2200 | 1 K-13539-00-0-1 |
| | 951-1450 | 700- 950 | 1 K-13540-00-0-1 |
| | | 951-1200 | 1 K-13541-00-0-1 |
| | | 1201-1700 | 1 K-13542-00-0-1 |
| | | 1701-2200 | 1 K-13543-00-0-1 |
| | 1451-1950 | 700- 950 | 1 K-13544-00-0-1 |
| | | 951-1200 | 1 K-13545-00-0-1 |
| | | 1201-1700 | 1 K-13546-00-0-1 |
| | | 1701-2200 | 1 K-13547-00-0-1 |
| | 1951-2450 | 700- 950 | 1 K-13548-00-0-1 |
| | | 951-1200 | 1 K-13549-00-0-1 |
| | | 1201-1700 | 1 K-13550-00-0-1 |
| | | 1701-2200 | 1 K-13551-00-0-1 |
| | 2451-2950 | 700- 950 | 1 K-13552-00-0-1 |
| | | 951-1200 | 1 K-13553-00-0-1 |
| | | 1201-1700 | 1 K-13554-00-0-1 |
| | | 1701-2200 | 1 K-13555-00-0-1 |

[1] = The minimum sash width is to be taken from the assembly drawing.

[2] = The sash heights are approximate values – the exact dimensions are to be taken from the assembly drawing.

Note:

Fitting components illustrated in grey are contained in the respective basic box.

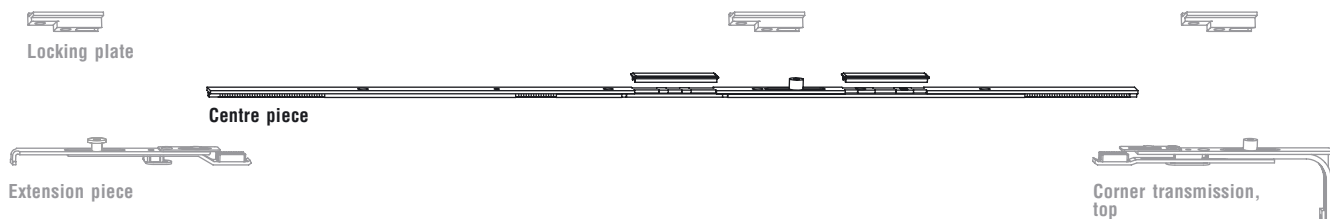


Cover strip
Vertical rod

Central locking system G.U-FERCO 340



Profile systems Aluplast Ideal 4000, Kö-Profine EuroFutur Classic, KBE 70 AD, Rehau Brillant Design



Fitting requirements according to size of sashes

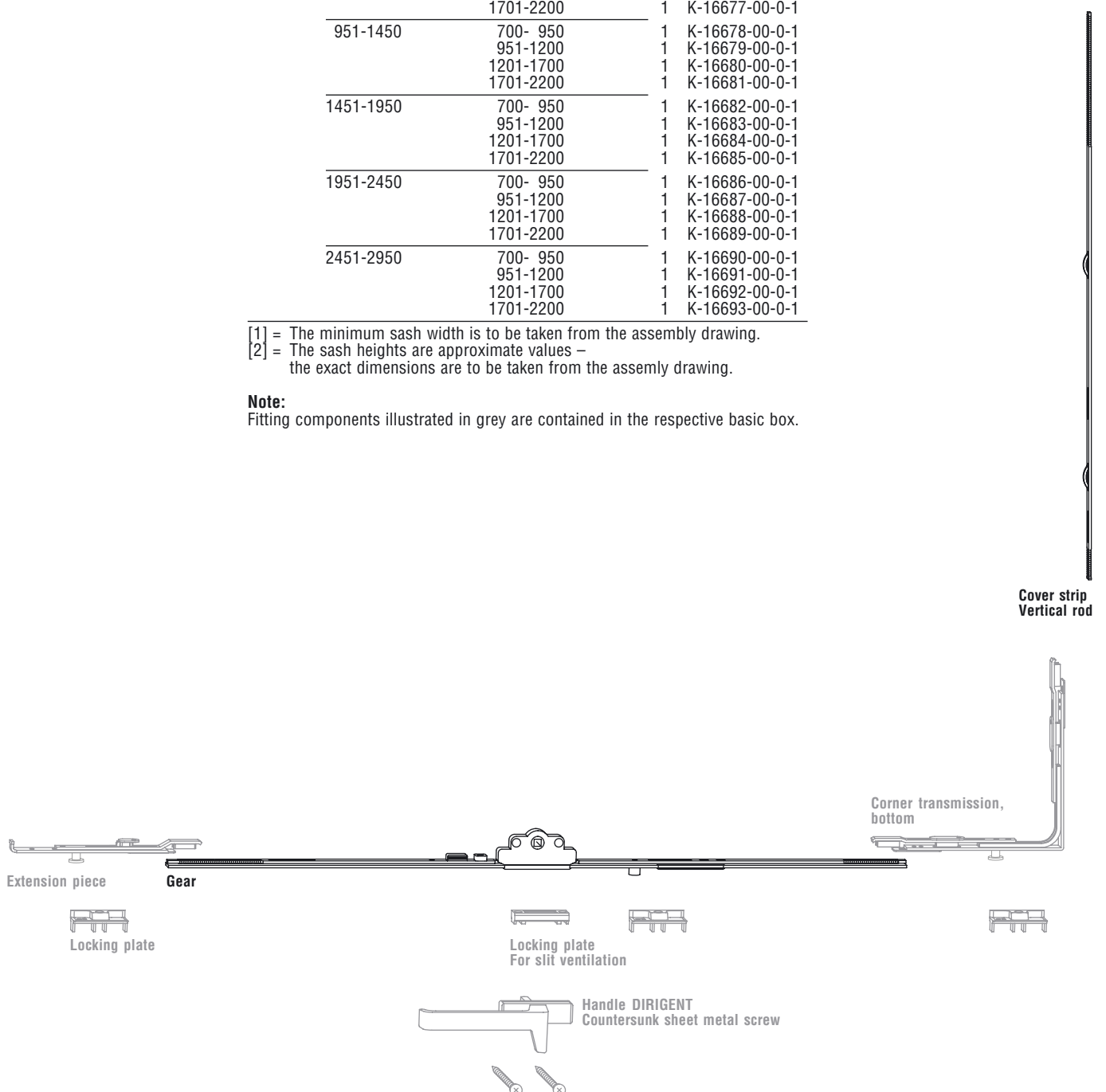
| Quantity | Description | PU | Article No. |
|----------|--|-----------|------------------|
| 1 | Bag of central locking system G.U-FERCO 340 | | |
| | SRW [1] | | |
| | SRH [2] | | |
| | - 950 | 700- 950 | 1 K-16674-00-0-1 |
| | | 951-1200 | 1 K-16675-00-0-1 |
| | | 1201-1700 | 1 K-16676-00-0-1 |
| | | 1701-2200 | 1 K-16677-00-0-1 |
| | 951-1450 | 700- 950 | 1 K-16678-00-0-1 |
| | | 951-1200 | 1 K-16679-00-0-1 |
| | | 1201-1700 | 1 K-16680-00-0-1 |
| | | 1701-2200 | 1 K-16681-00-0-1 |
| | 1451-1950 | 700- 950 | 1 K-16682-00-0-1 |
| | | 951-1200 | 1 K-16683-00-0-1 |
| | | 1201-1700 | 1 K-16684-00-0-1 |
| | | 1701-2200 | 1 K-16685-00-0-1 |
| | 1951-2450 | 700- 950 | 1 K-16686-00-0-1 |
| | | 951-1200 | 1 K-16687-00-0-1 |
| | | 1201-1700 | 1 K-16688-00-0-1 |
| | | 1701-2200 | 1 K-16689-00-0-1 |
| | 2451-2950 | 700- 950 | 1 K-16690-00-0-1 |
| | | 951-1200 | 1 K-16691-00-0-1 |
| | | 1201-1700 | 1 K-16692-00-0-1 |
| | | 1701-2200 | 1 K-16693-00-0-1 |

[1] = The minimum sash width is to be taken from the assembly drawing.

[2] = The sash heights are approximate values – the exact dimensions are to be taken from the assembly drawing.

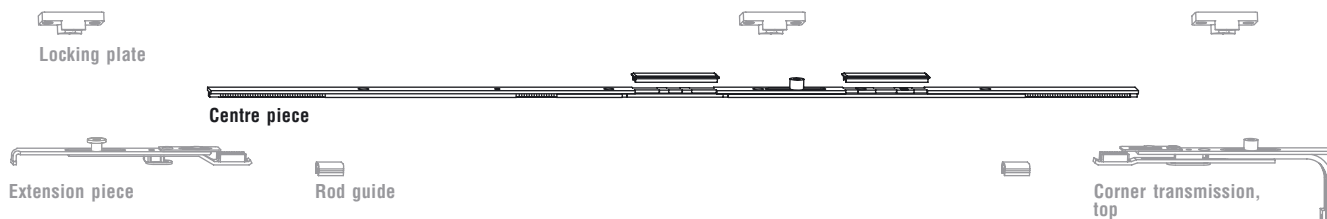
Note:

Fitting components illustrated in grey are contained in the respective basic box.



5

Profile systems Deceuninck Mondial, KBE 58 AD



Fitting requirements according to size of sashes

| Quantity | Description | PU | Article No. |
|----------|--|-----------|------------------|
| 1 | Bag of central locking system G.U-FERCO 340 | | |
| | SRW [1] | | |
| | SRH [2] | | |
| | - 950 | 700- 950 | 1 K-14368-00-0-1 |
| | | 951-1200 | 1 K-14369-00-0-1 |
| | | 1201-1700 | 1 K-14370-00-0-1 |
| | | 1701-2200 | 1 K-14371-00-0-1 |
| | 951-1450 | 700- 950 | 1 K-14372-00-0-1 |
| | | 951-1200 | 1 K-14373-00-0-1 |
| | | 1201-1700 | 1 K-14374-00-0-1 |
| | | 1701-2200 | 1 K-14375-00-0-1 |
| | 1451-1950 | 700- 950 | 1 K-14376-00-0-1 |
| | | 951-1200 | 1 K-14377-00-0-1 |
| | | 1201-1700 | 1 K-14378-00-0-1 |
| | | 1701-2200 | 1 K-14379-00-0-1 |
| | 1951-2450 | 700- 950 | 1 K-14380-00-0-1 |
| | | 951-1200 | 1 K-14381-00-0-1 |
| | | 1201-1700 | 1 K-14382-00-0-1 |
| | | 1701-2200 | 1 K-14383-00-0-1 |
| | 2451-2950 | 700- 950 | 1 K-14384-00-0-1 |
| | | 951-1200 | 1 K-14385-00-0-1 |
| | | 1201-1700 | 1 K-14386-00-0-1 |
| | | 1701-2200 | 1 K-14387-00-0-1 |

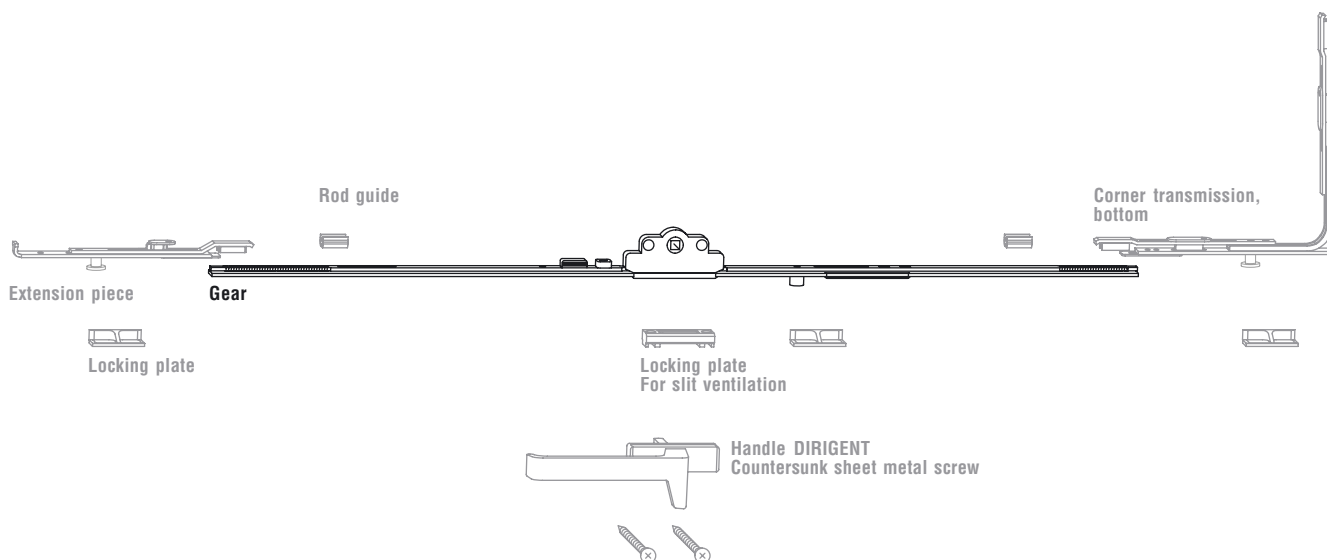
[1] = The minimum sash width is to be taken from the assembly drawing.

[2] = The sash heights are approximate values – the exact dimensions are to be taken from the assembly drawing.

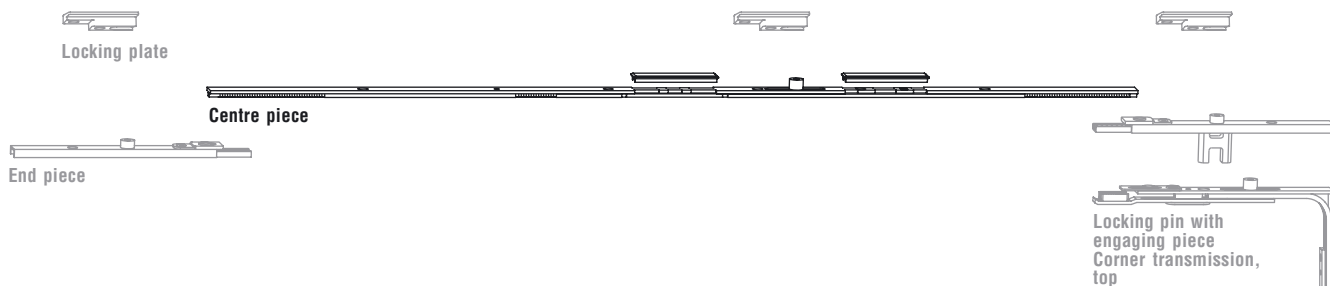
Note:

Fitting components illustrated in grey are contained in the respective basic box.

Cover strip
Vertical rod



Profile system Kö-Profine Eurodur 3S



Fitting requirements according to size of sashes

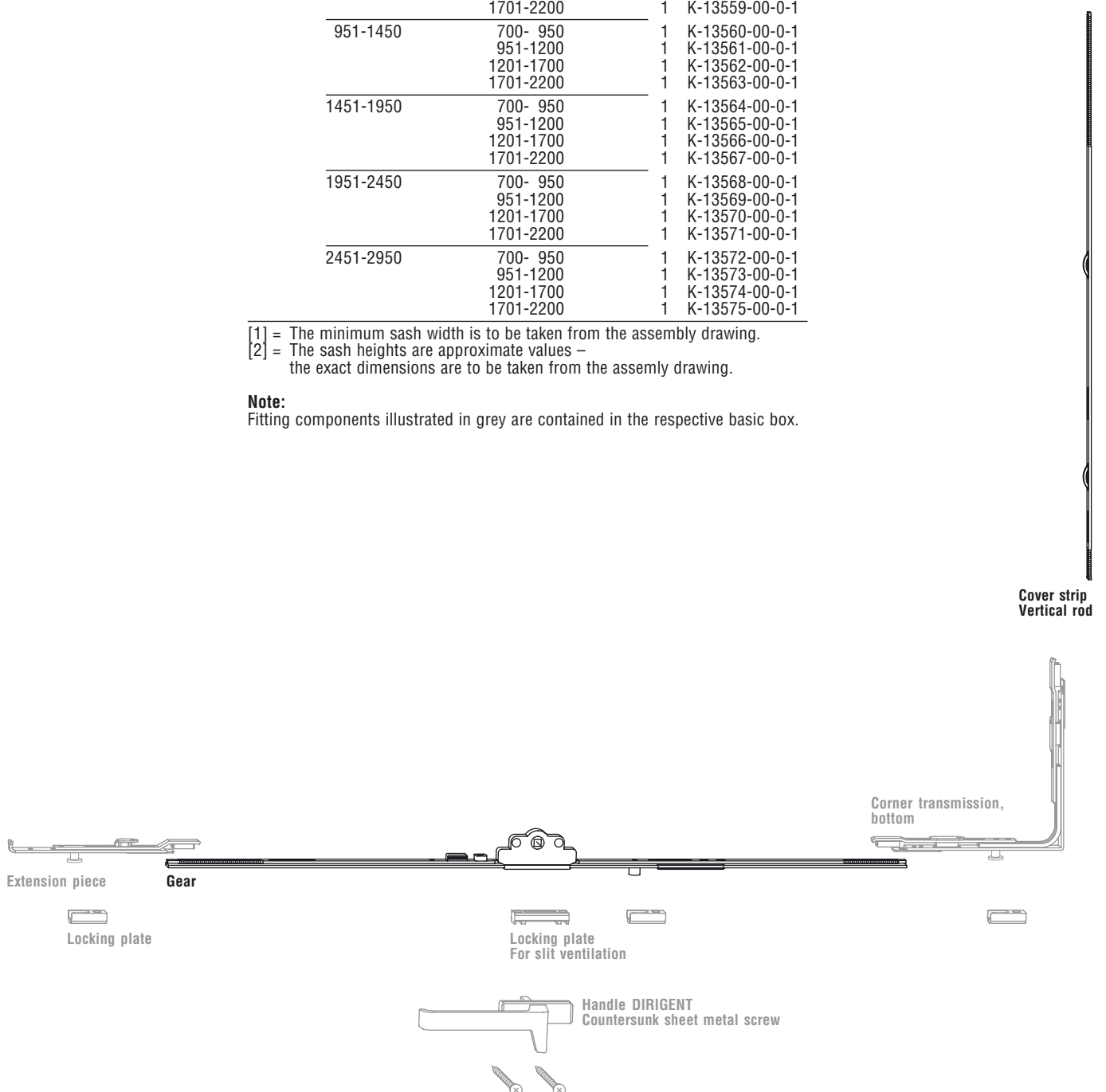
| Quantity | Description | PU | Article No. |
|----------|--|-----------|------------------|
| 1 | Bag of central locking system G.U-FERCO 340 | | |
| | SRW [1] | | |
| | SRH [2] | | |
| | - 950 | 700- 950 | 1 K-13556-00-0-1 |
| | | 951-1200 | 1 K-13557-00-0-1 |
| | | 1201-1700 | 1 K-13558-00-0-1 |
| | | 1701-2200 | 1 K-13559-00-0-1 |
| | 951-1450 | 700- 950 | 1 K-13560-00-0-1 |
| | | 951-1200 | 1 K-13561-00-0-1 |
| | | 1201-1700 | 1 K-13562-00-0-1 |
| | | 1701-2200 | 1 K-13563-00-0-1 |
| | 1451-1950 | 700- 950 | 1 K-13564-00-0-1 |
| | | 951-1200 | 1 K-13565-00-0-1 |
| | | 1201-1700 | 1 K-13566-00-0-1 |
| | | 1701-2200 | 1 K-13567-00-0-1 |
| | 1951-2450 | 700- 950 | 1 K-13568-00-0-1 |
| | | 951-1200 | 1 K-13569-00-0-1 |
| | | 1201-1700 | 1 K-13570-00-0-1 |
| | | 1701-2200 | 1 K-13571-00-0-1 |
| | 2451-2950 | 700- 950 | 1 K-13572-00-0-1 |
| | | 951-1200 | 1 K-13573-00-0-1 |
| | | 1201-1700 | 1 K-13574-00-0-1 |
| | | 1701-2200 | 1 K-13575-00-0-1 |

[1] = The minimum sash width is to be taken from the assembly drawing.

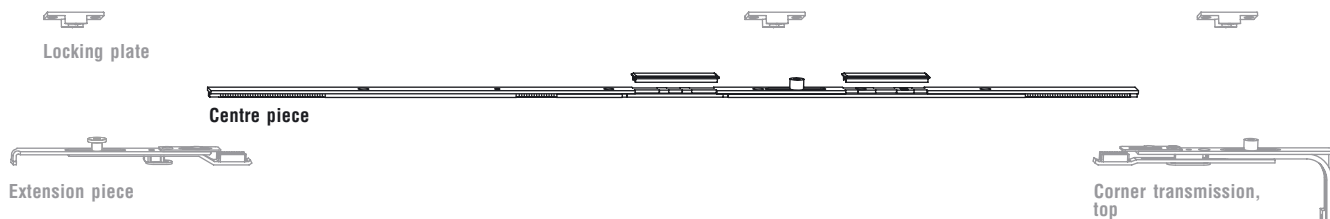
[2] = The sash heights are approximate values – the exact dimensions are to be taken from the assembly drawing.

Note:

Fitting components illustrated in grey are contained in the respective basic box.



Profile systems Kö-Profine EuroFutur Elegance, Deceuninck Zendow



Fitting requirements according to size of sashes

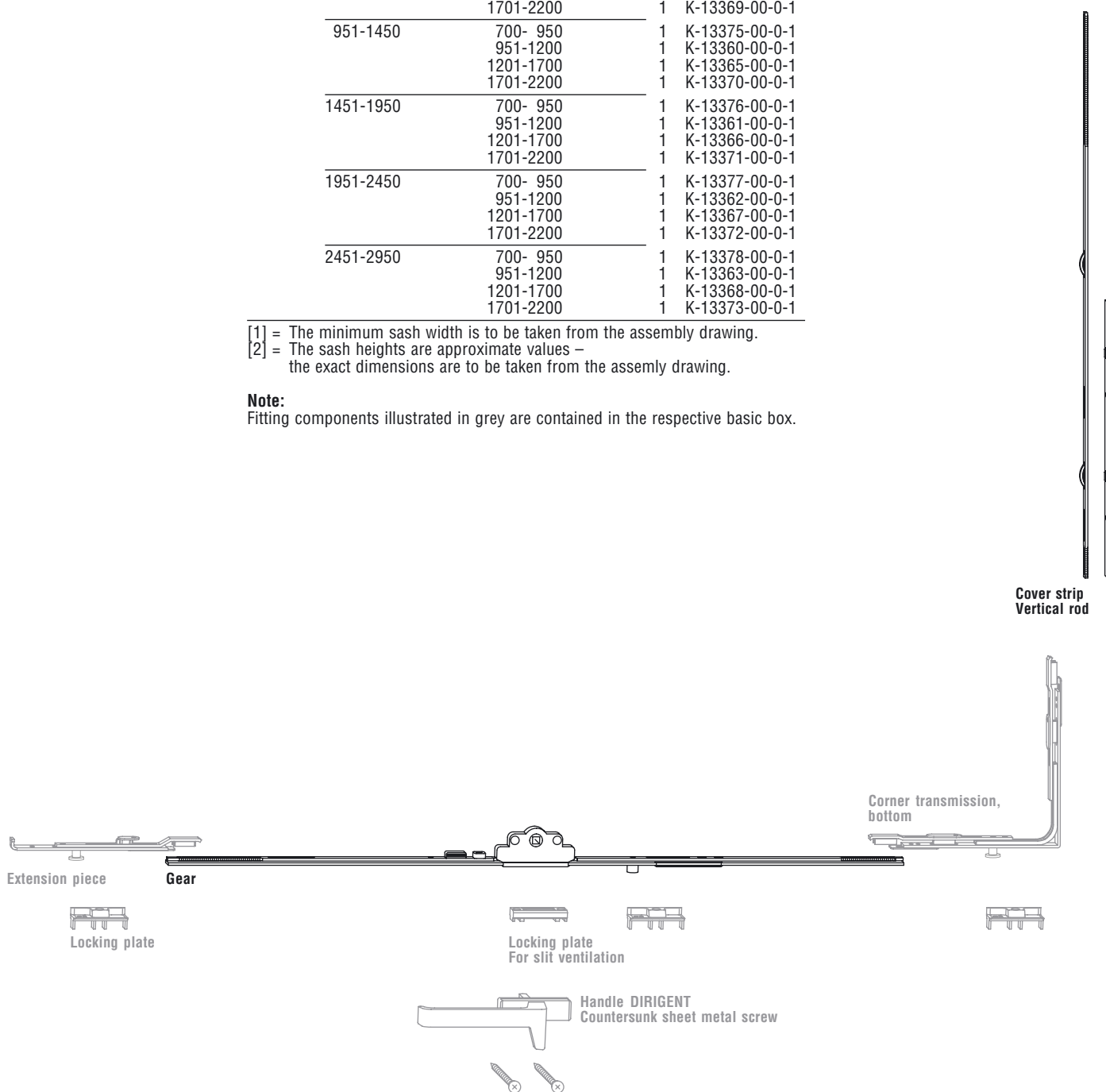
| Quantity | Description | PU | Article No. |
|----------|--|-----------|------------------|
| 1 | Bag of central locking system G.U-FERCO 340 | | |
| | SRW [1] | | |
| | SRH [2] | | |
| | - 950 | 700- 950 | 1 K-13374-00-0-1 |
| | | 951-1200 | 1 K-13359-00-0-1 |
| | | 1201-1700 | 1 K-13364-00-0-1 |
| | | 1701-2200 | 1 K-13369-00-0-1 |
| | 951-1450 | 700- 950 | 1 K-13375-00-0-1 |
| | | 951-1200 | 1 K-13360-00-0-1 |
| | | 1201-1700 | 1 K-13365-00-0-1 |
| | | 1701-2200 | 1 K-13370-00-0-1 |
| | 1451-1950 | 700- 950 | 1 K-13376-00-0-1 |
| | | 951-1200 | 1 K-13361-00-0-1 |
| | | 1201-1700 | 1 K-13366-00-0-1 |
| | | 1701-2200 | 1 K-13371-00-0-1 |
| | 1951-2450 | 700- 950 | 1 K-13377-00-0-1 |
| | | 951-1200 | 1 K-13362-00-0-1 |
| | | 1201-1700 | 1 K-13367-00-0-1 |
| | | 1701-2200 | 1 K-13372-00-0-1 |
| | 2451-2950 | 700- 950 | 1 K-13378-00-0-1 |
| | | 951-1200 | 1 K-13363-00-0-1 |
| | | 1201-1700 | 1 K-13368-00-0-1 |
| | | 1701-2200 | 1 K-13373-00-0-1 |

[1] = The minimum sash width is to be taken from the assembly drawing.

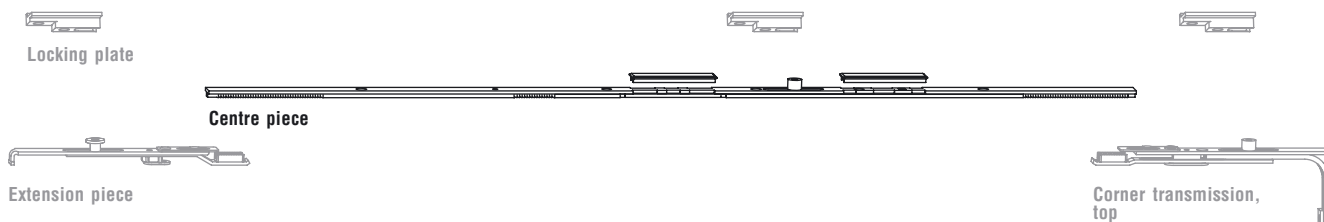
[2] = The sash heights are approximate values – the exact dimensions are to be taken from the assembly drawing.

Note:

Fitting components illustrated in grey are contained in the respective basic box.



Profile systems Rehau S 730, Thyssen Elite



Fitting requirements according to size of sashes

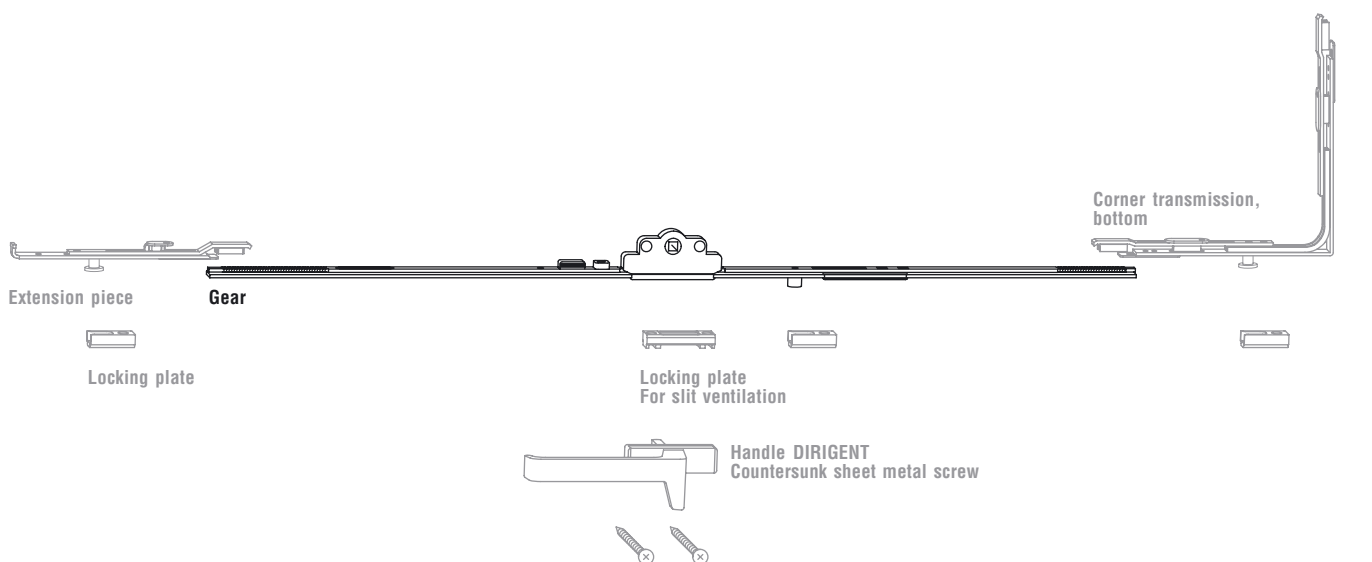
| Quantity | Description | PU | Article No. |
|----------|--|-----------|------------------|
| 1 | Bag of central locking system G.U-FERCO 340 | | |
| | SRW [1] | | |
| | SRH [2] | | |
| | - 950 | 700- 950 | 1 K-16876-00-0-1 |
| | | 951-1200 | 1 K-16877-00-0-1 |
| | | 1201-1700 | 1 K-16878-00-0-1 |
| | | 1701-2200 | 1 K-16879-00-0-1 |
| | 951-1450 | 700- 950 | 1 K-16880-00-0-1 |
| | | 951-1200 | 1 K-16881-00-0-1 |
| | | 1201-1700 | 1 K-16882-00-0-1 |
| | | 1701-2200 | 1 K-16883-00-0-1 |
| | 1451-1950 | 700- 950 | 1 K-16884-00-0-1 |
| | | 951-1200 | 1 K-16885-00-0-1 |
| | | 1201-1700 | 1 K-16886-00-0-1 |
| | | 1701-2200 | 1 K-16887-00-0-1 |
| | 1951-2450 | 700- 950 | 1 K-16888-00-0-1 |
| | | 951-1200 | 1 K-16889-00-0-1 |
| | | 1201-1700 | 1 K-16890-00-0-1 |
| | | 1701-2200 | 1 K-16891-00-0-1 |
| | 2451-2950 | 700- 950 | 1 K-16892-00-0-1 |
| | | 951-1200 | 1 K-16893-00-0-1 |
| | | 1201-1700 | 1 K-16894-00-0-1 |
| | | 1701-2200 | 1 K-16895-00-0-1 |

[1] = The minimum sash width is to be taken from the assembly drawing.

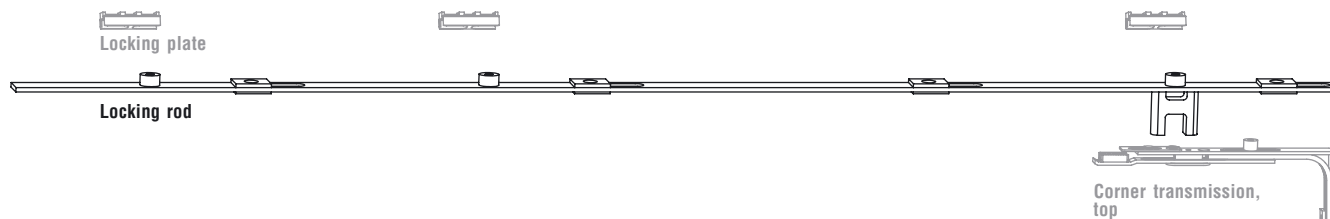
[2] = The sash heights are approximate values – the exact dimensions are to be taken from the assembly drawing.

Note:

Fitting components illustrated in grey are contained in the respective basic box.



Profile systems Thyssen AD, Thyssen Delux



Fitting requirements according to size of sashes

| Quantity | Description | PU | Article No. |
|----------|--|-----------|------------------|
| 1 | Bag of central locking system G.U-FERCO 340 | | |
| | SRW [1] | | |
| | SRH [2] | | |
| | - 950 | 700- 950 | 1 K-13616-00-0-1 |
| | | 951-1200 | 1 K-13617-00-0-1 |
| | | 1201-1700 | 1 K-13618-00-0-1 |
| | | 1701-2200 | 1 K-13619-00-0-1 |
| | 951-1450 | 700- 950 | 1 K-13620-00-0-1 |
| | | 951-1200 | 1 K-13621-00-0-1 |
| | | 1201-1700 | 1 K-13622-00-0-1 |
| | | 1701-2200 | 1 K-13623-00-0-1 |
| | 1451-1950 | 700- 950 | 1 K-13624-00-0-1 |
| | | 951-1200 | 1 K-13625-00-0-1 |
| | | 1201-1700 | 1 K-13626-00-0-1 |
| | | 1701-2200 | 1 K-13627-00-0-1 |
| | 1951-2450 | 700- 950 | 1 K-13628-00-0-1 |
| | | 951-1200 | 1 K-13629-00-0-1 |
| | | 1201-1700 | 1 K-13630-00-0-1 |
| | | 1701-2200 | 1 K-13631-00-0-1 |
| | 2451-2950 | 700- 950 | 1 K-13632-00-0-1 |
| | | 951-1200 | 1 K-13633-00-0-1 |
| | | 1201-1700 | 1 K-13634-00-0-1 |
| | | 1701-2200 | 1 K-13635-00-0-1 |

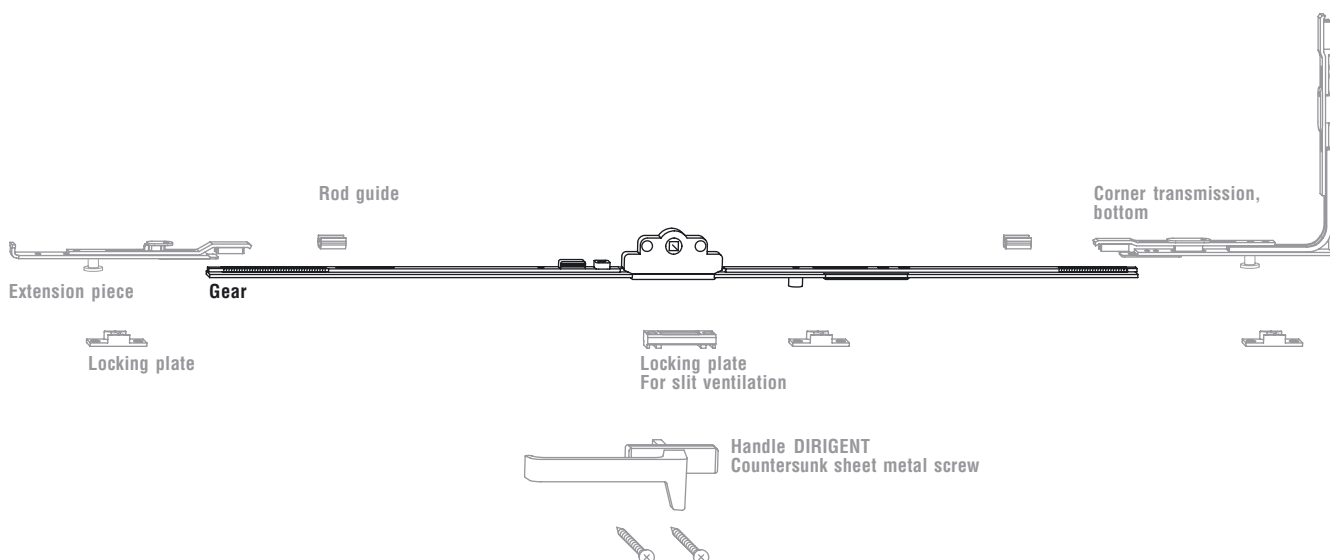
[1] = The minimum sash width is to be taken from the assembly drawing.

[2] = The sash heights are approximate values – the exact dimensions are to be taken from the assembly drawing.

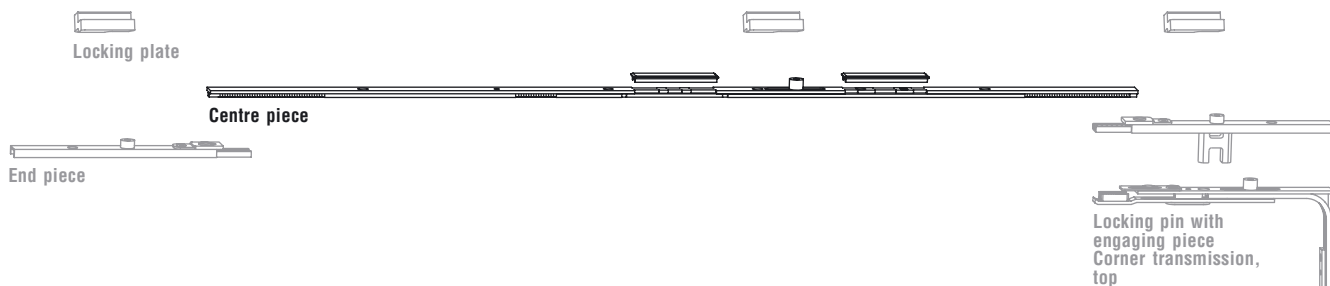
Note:

Fitting components illustrated in grey are contained in the respective basic box.

Cover strip
Vertical rod



Profile system HT-Troplast Trocal 900



Fitting requirements according to size of sashes

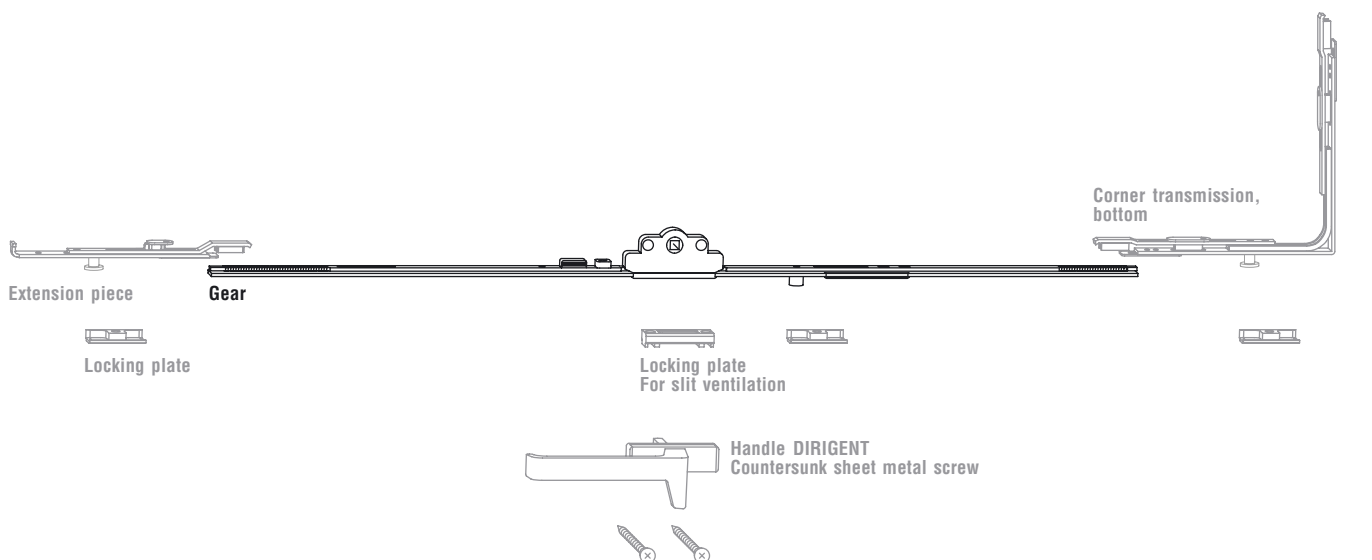
| Quantity | Description | PU | Article No. |
|----------|--|-----------|------------------|
| 1 | Bag of central locking system G.U-FERCO 340 | | |
| | SRW [1] | | |
| | SRH [2] | | |
| | - 950 | 700- 950 | 1 K-13636-00-0-1 |
| | | 951-1200 | 1 K-13637-00-0-1 |
| | | 1201-1700 | 1 K-13638-00-0-1 |
| | | 1701-2200 | 1 K-13639-00-0-1 |
| | 951-1450 | 700- 950 | 1 K-13640-00-0-1 |
| | | 951-1200 | 1 K-13641-00-0-1 |
| | | 1201-1700 | 1 K-13642-00-0-1 |
| | | 1701-2200 | 1 K-13643-00-0-1 |
| | 1451-1950 | 700- 950 | 1 K-13644-00-0-1 |
| | | 951-1200 | 1 K-13645-00-0-1 |
| | | 1201-1700 | 1 K-13646-00-0-1 |
| | | 1701-2200 | 1 K-13647-00-0-1 |
| | 1951-2450 | 700- 950 | 1 K-13648-00-0-1 |
| | | 951-1200 | 1 K-13649-00-0-1 |
| | | 1201-1700 | 1 K-13650-00-0-1 |
| | | 1701-2200 | 1 K-13651-00-0-1 |
| | 2451-2950 | 700- 950 | 1 K-13652-00-0-1 |
| | | 951-1200 | 1 K-13653-00-0-1 |
| | | 1201-1700 | 1 K-13654-00-0-1 |
| | | 1701-2200 | 1 K-13655-00-0-1 |

[1] = The minimum sash width is to be taken from the assembly drawing.

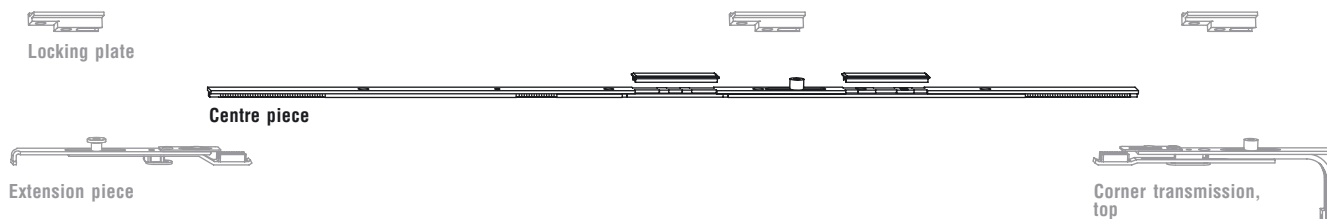
[2] = The sash heights are approximate values – the exact dimensions are to be taken from the assembly drawing.

Note:

Fitting components illustrated in grey are contained in the respective basic box.



Profile system HT-Troplast Confort



Fitting requirements according to size of sashes

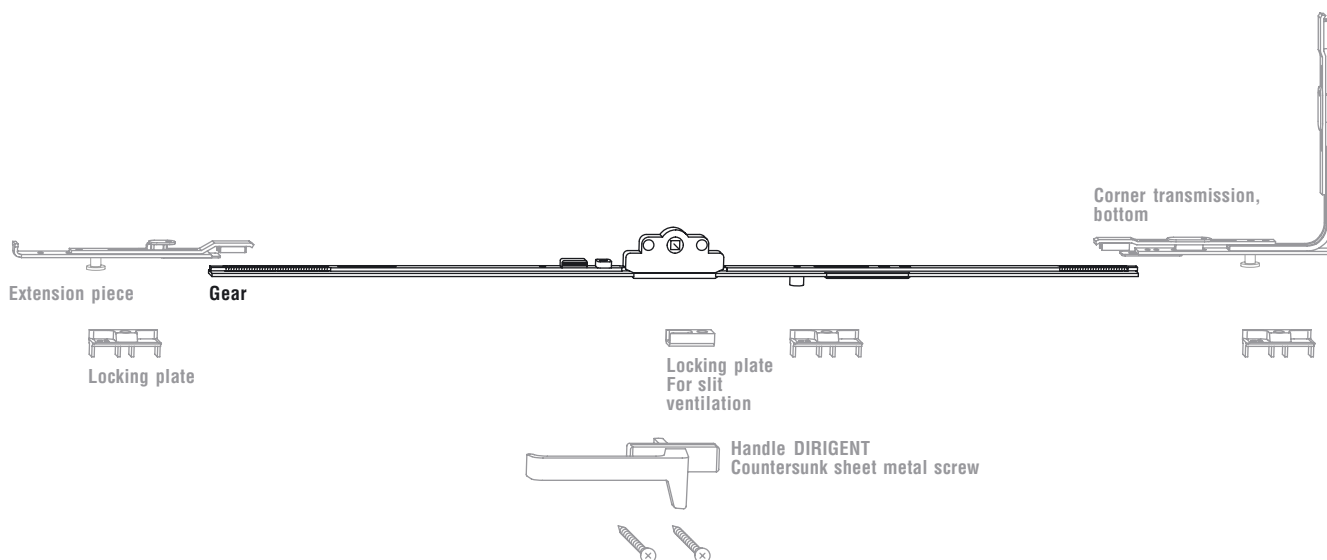
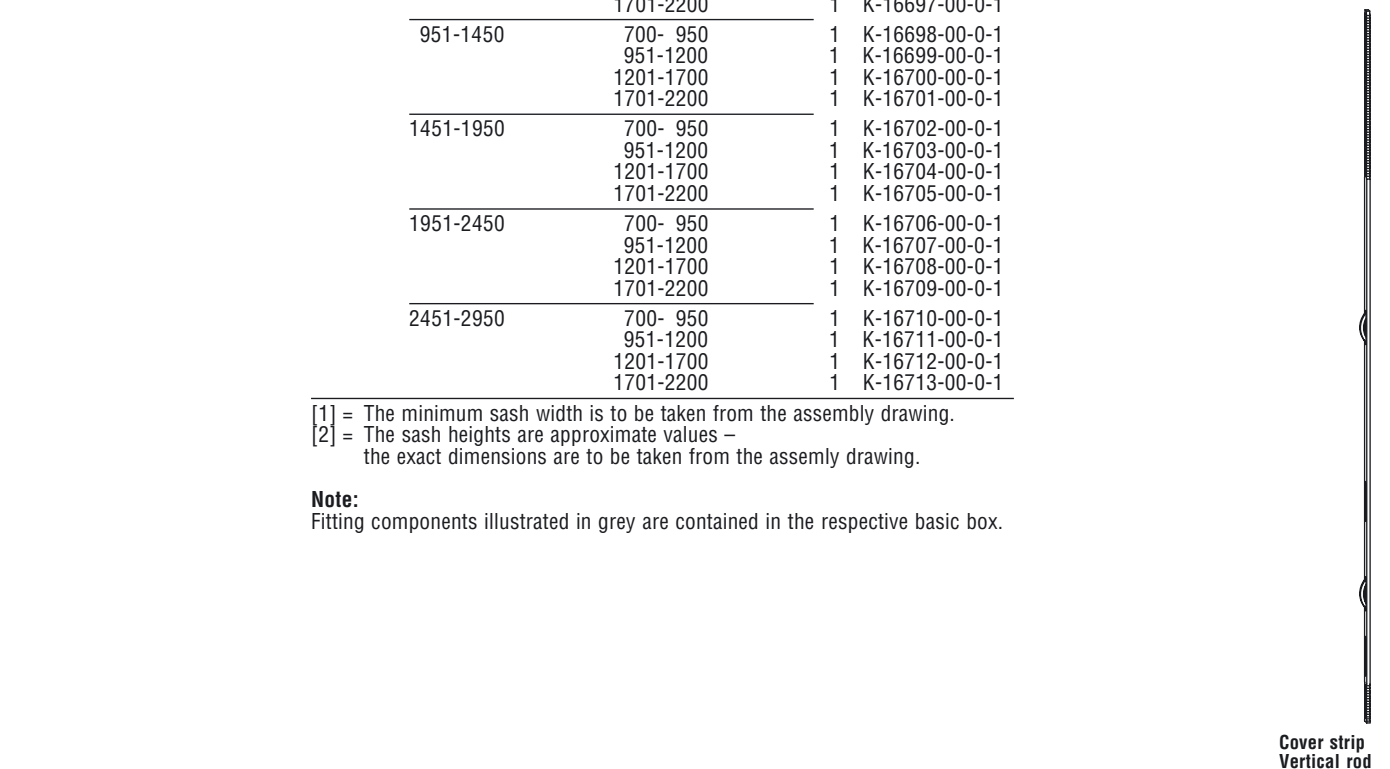
| Quantity | Description | PU | Article No. |
|----------|--|-----------|------------------|
| 1 | Bag of central locking system G.U-FERCO 340 | | |
| | SRW [1] | | |
| | SRH [2] | | |
| | - 950 | 700- 950 | 1 K-16694-00-0-1 |
| | | 951-1200 | 1 K-16695-00-0-1 |
| | | 1201-1700 | 1 K-16696-00-0-1 |
| | | 1701-2200 | 1 K-16697-00-0-1 |
| | 951-1450 | 700- 950 | 1 K-16698-00-0-1 |
| | | 951-1200 | 1 K-16699-00-0-1 |
| | | 1201-1700 | 1 K-16700-00-0-1 |
| | | 1701-2200 | 1 K-16701-00-0-1 |
| | 1451-1950 | 700- 950 | 1 K-16702-00-0-1 |
| | | 951-1200 | 1 K-16703-00-0-1 |
| | | 1201-1700 | 1 K-16704-00-0-1 |
| | | 1701-2200 | 1 K-16705-00-0-1 |
| | 1951-2450 | 700- 950 | 1 K-16706-00-0-1 |
| | | 951-1200 | 1 K-16707-00-0-1 |
| | | 1201-1700 | 1 K-16708-00-0-1 |
| | | 1701-2200 | 1 K-16709-00-0-1 |
| | 2451-2950 | 700- 950 | 1 K-16710-00-0-1 |
| | | 951-1200 | 1 K-16711-00-0-1 |
| | | 1201-1700 | 1 K-16712-00-0-1 |
| | | 1701-2200 | 1 K-16713-00-0-1 |

[1] = The minimum sash width is to be taken from the assembly drawing.

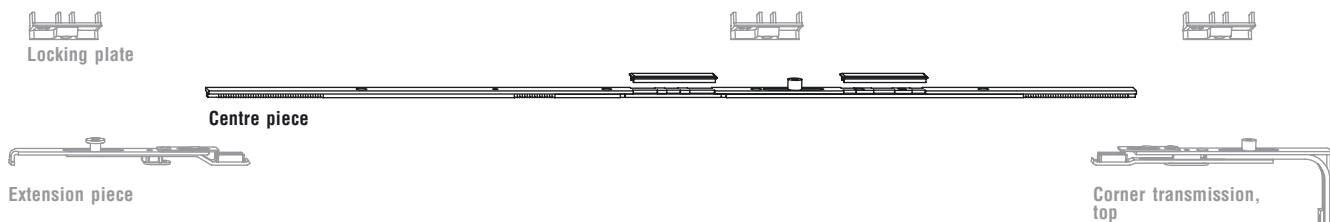
[2] = The sash heights are approximate values – the exact dimensions are to be taken from the assembly drawing.

Note:

Fitting components illustrated in grey are contained in the respective basic box.



Profile system Veka Topline



Fitting requirements according to size of sashes

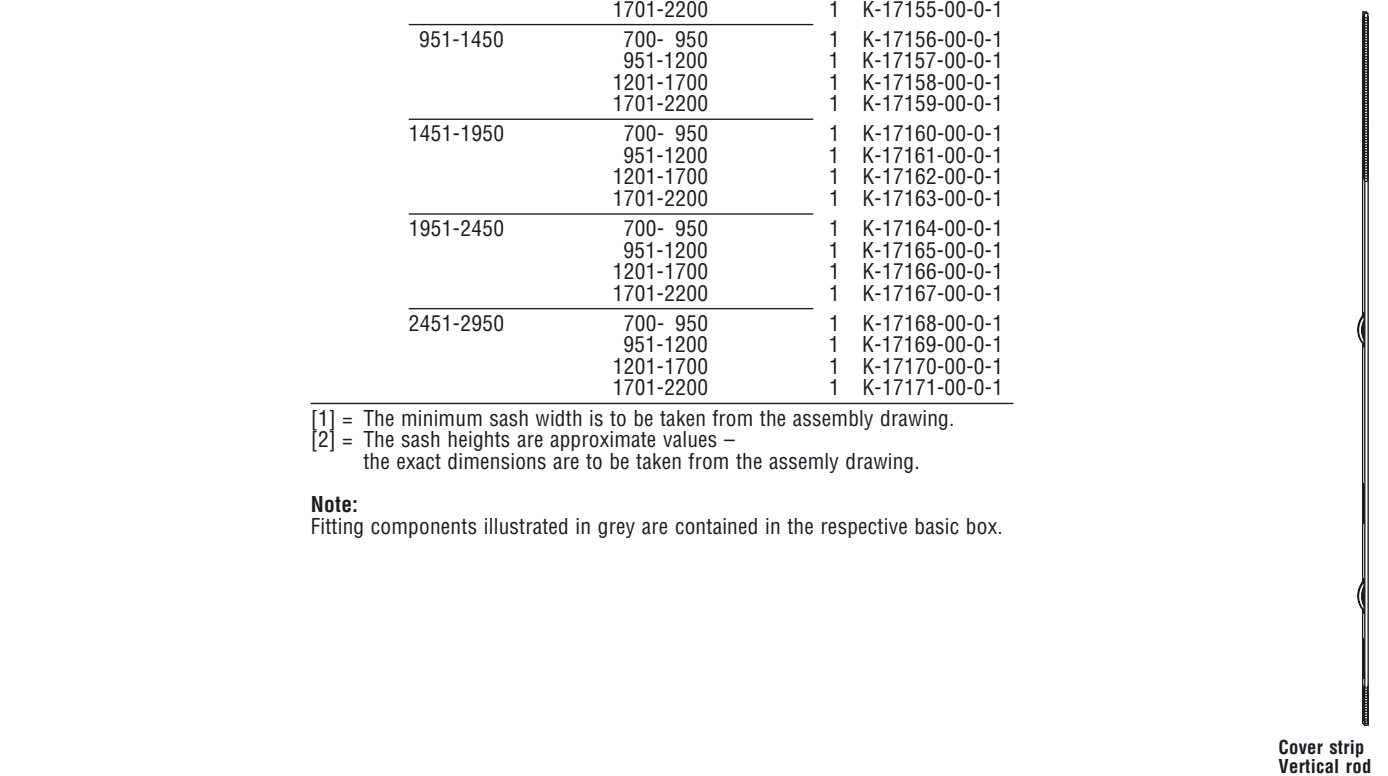
| Quantity | Description | PU | Article No. |
|----------|--|-----------|------------------|
| 1 | Bag of central locking system G.U-FERCO 340 | | |
| | SRW [1] | | |
| | SRH [2] | | |
| | - 950 | 700- 950 | 1 K-17152-00-0-1 |
| | | 951-1200 | 1 K-17153-00-0-1 |
| | | 1201-1700 | 1 K-17154-00-0-1 |
| | | 1701-2200 | 1 K-17155-00-0-1 |
| | 951-1450 | 700- 950 | 1 K-17156-00-0-1 |
| | | 951-1200 | 1 K-17157-00-0-1 |
| | | 1201-1700 | 1 K-17158-00-0-1 |
| | | 1701-2200 | 1 K-17159-00-0-1 |
| | 1451-1950 | 700- 950 | 1 K-17160-00-0-1 |
| | | 951-1200 | 1 K-17161-00-0-1 |
| | | 1201-1700 | 1 K-17162-00-0-1 |
| | | 1701-2200 | 1 K-17163-00-0-1 |
| | 1951-2450 | 700- 950 | 1 K-17164-00-0-1 |
| | | 951-1200 | 1 K-17165-00-0-1 |
| | | 1201-1700 | 1 K-17166-00-0-1 |
| | | 1701-2200 | 1 K-17167-00-0-1 |
| | 2451-2950 | 700- 950 | 1 K-17168-00-0-1 |
| | | 951-1200 | 1 K-17169-00-0-1 |
| | | 1201-1700 | 1 K-17170-00-0-1 |
| | | 1701-2200 | 1 K-17171-00-0-1 |

[1] = The minimum sash width is to be taken from the assembly drawing.

[2] = The sash heights are approximate values – the exact dimensions are to be taken from the assembly drawing.

Note:

Fitting components illustrated in grey are contained in the respective basic box.





Product group

G

Fan-light openers and electric drives

7

Fan-light openers – face-fixed Electric drives, chain drives and spindle drives, miscellaneous fittings for PVC windows

Fan-light openers, face-fixed Product group "G"

| | |
|----------------------------------|-----|
| Introduction | 7.3 |
| Optional parts | 7.4 |
| Product information, application | 7.6 |

Fitting requirements, sets

VENTUS F 200, standard version

| | |
|--|------|
| Lever handle and transmissions | 7.11 |
| Vertical gear | 7.12 |
| Corner gear | 7.13 |
| ELTRAL for vertical installation | 7.14 |
| ELTRAL for horizontal installation | 7.15 |
| Lever handle with vertical lock | 7.16 |
| Arch head and segmental arch head windows | 7.17 |
| Oblique angle head windows | 7.19 |
| Flexible transmission, special versions | 7.20 |
| Standard version, minimum dimensions | 7.21 |
| Made-to-measure production, minimum dimensions | 7.22 |
| Total and single lengths of rods | 7.23 |

VENTUS F 200 top hung window – opening outward, standard version

| | |
|------------------------------------|------|
| Lever handle and transmissions | 7.25 |
| Vertical gear | 7.26 |
| Corner gear | 7.27 |
| ELTRAL for vertical installation | 7.28 |
| ELTRAL for horizontal installation | 7.29 |

VENTUS F 300, standard version

| | |
|--|------|
| Lever handle and transmission | 7.31 |
| Vertical gear | 7.32 |
| Corner gear | 7.33 |
| ELTRAL for vertical installation | 7.34 |
| ELTRAL for horizontal installation | 7.35 |
| Lever handle with vertical lock | 7.36 |
| Oblique angle head windows | 7.37 |
| Special versions, standard version, minimum dimensions | 7.38 |
| Made-to-measure production, minimum dimensions | 7.39 |
| Total and single lengths of rods | 7.40 |

Electric drives, chain drives and spindle drives Product group "G" and "I"

Electric drives

| | |
|---------------------------------------|------|
| ELTRAL S 230 L, S 230 E | 7.43 |
| ELTRAL 300 E1 | 7.43 |
| Accessories for electric drives 230 V | 7.44 |

Spindle drives

| | |
|---|------|
| ELTRAL SP 5-Z, SP 8-Z | 7.45 |
| Assembly accessories for spindle drives | 7.49 |

Chain drives

| | |
|--|------|
| ELTRAL K 200/230, K 350/230, K 400/230 | 7.51 |
| ELTRAL KSA/230 | 7.54 |
| Accessories for chain drives KSA/230 | 7.56 |
| ELTRAL KSL MP/230 | 7.58 |
| Accessories for chain drives KSL | 7.59 |

Drilling jigs and auxiliary tools

7.60

Miscellaneous fittings Product group "N"

| | |
|----------------------------------|------|
| Introduction | 7.61 |
| Product information, application | 7.62 |

G.U security stay EURO-SOLID

| | |
|--|------|
| Security stay and bag of accessories according to profile system | 7.64 |
|--|------|

Rebate stays

| | |
|---|------|
| for tilt and top hung outward opening windows | 7.65 |
|---|------|

Fan-light catch

| | |
|---|------|
| for tilt and top hung outward opening windows | 7.65 |
|---|------|

Order catalogue part 7 Fan-light openers, face-fixed

Contents

Part 7 of the present order catalogue contains fan-light openers for PVC windows, vertical and corner gears, electric drives and accessories according to the latest state of the art.

The following indications will make you familiar with the concept of the catalogue and help you to handle it easily.

Catalogue structure

The present catalogue part is structured in the following way:

- Optional parts and turn handles
- Sets

Sets

Optional parts

The option pages show you optional parts for face-fixed fan-light openers at a glance. All supplements of standard versions are clearly arranged.

Fitting requirements according to sash size and scheme

The illustrations of the fittings are supplemented by corresponding parts tables helping to determine the hardware composition.

Parts supplementing standard versions are clearly presented and can be easily selected.

Order numbers

The order number gives information about

- the article
- its size
- its application - e.g. lh or rh assembly
- its colour/finish

Example

Order number
6-24841-50-0-1

| | | |
|----------|---------|---|
| 6-24841- | - - | Article number |
| - | -50- | Size |
| - | - -L- | Left hand assembly |
| - | - -R- | Right hand assembly |
| - | - -0- | Usable on both sides |
| - | - - -1T | Nickel silver |
| - | - - -1 | F 1/EV 1, natural (silver colour), ferGUard*silver (steel parts) |
| - | - - -2 | F 2/EV 2, champagne colour |
| - | - - -3 | F 3, brass colour or gold colour |
| - | - - -4 | UC 3, middle bronze or middle brown |
| - | - - -5 | UC 5, dark bronze or dark brown |
| - | - - -6 | Onyx matt or black |
| - | - - -7 | White, powder coated (RAL 9016) |
| - | - - -8 | Stainless steel or stainless steel colour |
| - | - - -* | Surface treatment variable (available colours see price list) |

Prices

Single part price list "Total programme"

The prices are listed by ascending article numbers.

Additional sales documentation

Apart from the order catalogue, the following documentation on lift-slide and lift-tilt-slide fittings is available:

- Brochures and leaflets informing about product features and advantages
- Order sheets for the specialized trade
- Assembly drawings with mounting instructions
- Instructions for maintenance and care

Abbreviations and ordering dimensions

| | |
|------|--|
| B | Total sash width |
| B-E | Sill to bottom edge of lever handle or articulated crank handle (straight) |
| D | Centre of vertical rod to edge of sash |
| E -B | Top edge of sash on operation side to sill for oblique angle head and segmental arch head windows |
| E -E | Top edge of sash on operation side to bottom edge of lever handle or articulated crank handle (straight) for oblique angle head and segmental arch head windows |
| FB | Sash width |
| FBs | Sash width for oblique angle head windows |
| FH | Sash height |
| FHf | Sash height for oblique angle head windows |
| O-B | Top edge of sash to sill |
| O-E | Top edge of sash to bottom edge of lever handle or articulated crank handle (straight) |
| Ö | Opening width of sash |
| PU | Packing unit |
| r | Radius |
| RLB | Frame width in the clear (top hung sash opening outward) |
| RLH | Frame height in the clear (top hung sash opening outward) |
| t | Depth of reveal |
| U-B | Bottom edge of sash to sill, springing of arch to sill for arch head windows |
| U-E | Bottom edge of sash to bottom edge of lever handle or articulated crank handle (straight), springing of arch to bottom edge of lever handle or articulated crank handle (straight) |
| ü | Projection of window sill |
| x | Installation height for vertical and corner gears |
| y | Sash backset of outward opening windows |
| z | Distance between individual sashes |

G.U Data service

HardwareManager

Software designed for the composition and ordering of customer and order related hardware sets for timber and PVC windows and patio doors.

Hardware Data Service

Generation of individual hardware data for the leading window manufacturing software programmes; supply of CNC data for the control of operating processes in window and door manufacture.

Order and customer information system CIS

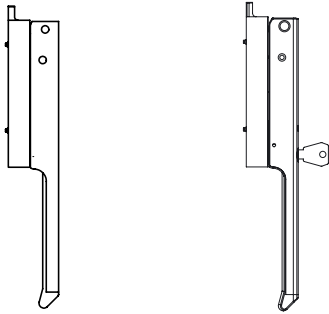
The CIS system offers versatile communication possibilities:

- online ordering
- availability check
- order tracing
- information on current product range and prices

Contact: <http://cis.g-u.de>

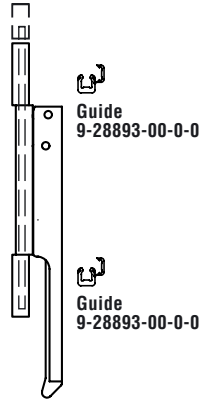
Fan-light openers, face-fixed

Fan-light opener VENTUS F 200

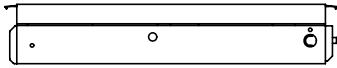


Lever handle
Stroke
40 mm 6-28681-40-0-*

Lever handle, lockable
Stroke
50 mm 6-32100-50-0-*



Swivelling lever handle
Stroke
50 mm K-12608-00-0-*



Stay with lift-off security device
6-29589-00-0-*

Stay arm bearing
6-29134-00-0-*

Rod bearing (2 pieces)
9-38016-00-0-0

Accessories for vertical rod, Ø 8 mm

Sleeve
6-22842-00-0-1

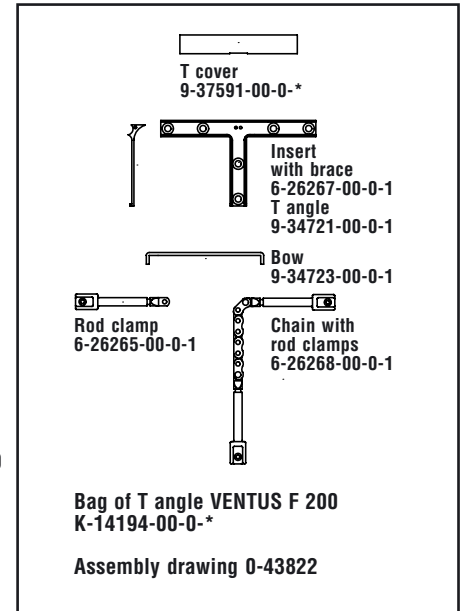
Guide
9-28893-00-0-0

Guide for transmission
9-33711-00-0-*

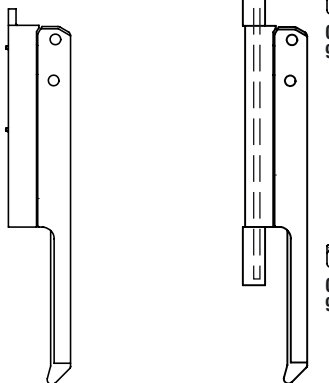
Insert/shim for fixing angular sash brackets Assembly drawing 0-43700

Shim for PVC
9-33105-00-0-1

Bag of T angle VENTUS F 200



Fan-light opener VENTUS F 300



Lever handle
Stroke
50 mm 6-26249-50-0-*

Swivelling lever handle
Stroke
50 mm K-14242-50-0-*

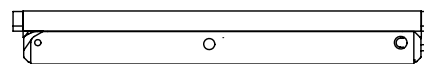
Guide
9-34491-00-0-0

Guide
9-34491-00-0-0

Accessories for vertical rod, Ø 10 mm

Sleeve
6-26813-00-0-1

Guide
9-34491-00-0-0



Stay with lift-off security device
6-27451-00-0-*

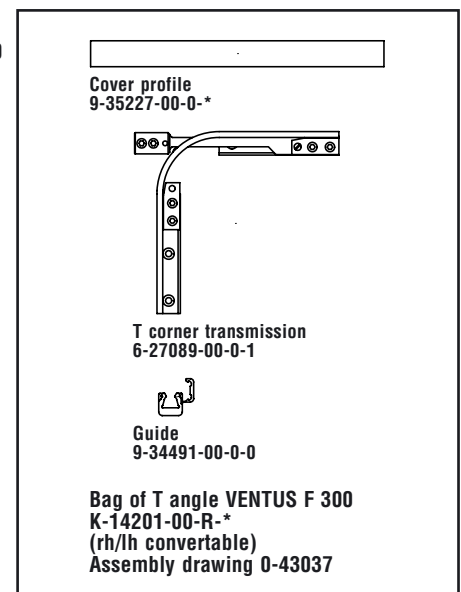
Stay arm bearing
6-26244-00-0-*

Rod bearing (2 pieces)
9-34458-00-0-0

Insert/shim for fixing angular sash brackets Assembly drawing 0-42700

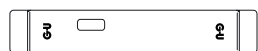
Shim for PVC
9-34509-00-0-3

Bag of T angle VENTUS F 300



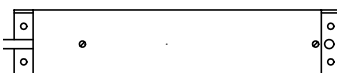
Electric drives

Electric drives 230 V



ELTRAL S 230 L
6-31730-00-0-*

ELTRAL S 230 E
6-31732-00-0-*



ELTRAL 300 E1
9-31020-01-0-*

Electric drives 230 V



ELTRAL S 24 L
6-31734-00-0-*



ELTRAL 300/24
9-31021-00-0-*

Radio remote control



Hand-held transmitter 42 FH
9-42496-00-0-0

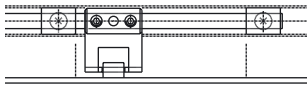
Radio actuator FAJ 6 UP
9-42495-00-0-0

Installation in flush-mounted socket
230 V AC 50Hz
Power rating:
250 V ~
700 VA

Fan-light openers, face-fixed

Fan-light opener VENTUS F 200 Se

UNI-JET locking mechanism in the rebate



Single parts

- 1 UNI-JET engaging fork 6-32154-**-0-1
- 2 guide 9-28893-00-0-0
- 1 cover profile 9-39509-00-0-*
- length 250 mm – with cut-out

K-16718-02-0-* = PVC window
K-16718-03-0-* = PVC window

Sash overlap 18 mm
 Sash overlap 20 - 22 mm

Groove position 9 and 13 mm
 Groove position 9 and 13 mm

Assembly drawing 0-43813

Mullion passage transmission

Box of mullion passage transmission

K-15384-08-0-*
 Mullion depth T 17 to 80 mm
 Mullion depth L 126 mm

Box of mullion passage transmission

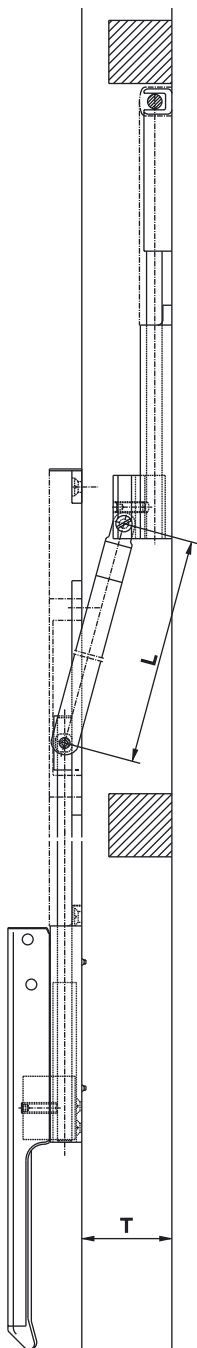
K-15384-15-0-*
 Mullion depth T 17 to 150 mm
 Mullion depth L 266 mm

Single parts

- 1 mullion transmission 6-29260
- 1 guide 9-33600
- 1 gliding profile 9-28888
- 1 locking part 9-35860
- 1 cover profile 9-33443
- 1 end cap 9-34412

Assembly drawings

Tilt sash 0-43889
 Top hung sash 0-44206

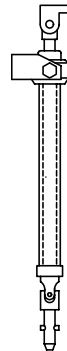


Vertical and corner gear



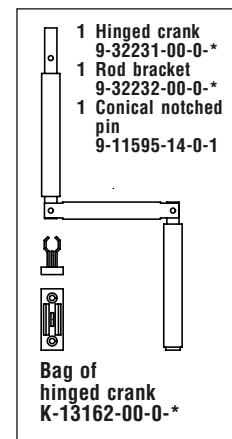
Load-limiting device
6-31245-00-0-1
 for VENTUS F 200, VENTUS F 300
 Release torque 4 Nm

Telescopic spindle drive



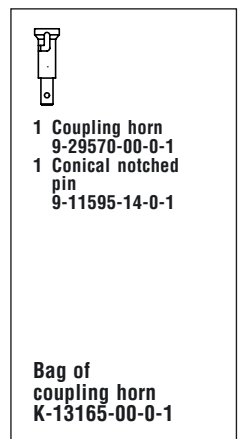
Fitting requirements

| Qty. | Description | PU | Article No. |
|----------------|--|-----|----------------|
| 1 | Telescopic spindle drive for top hung windows and light domes | 1 | 6-24869-00-0-1 |
| Technical data | | | |
| | Stroke mm | 300 | |
| | Length of gear mm | 222 | |
| 1 | Crank rod (not illustrated) – to be cut from: Aluminium tube, L = 5000 mm | 1 | 9-32230-50-0-* |
| 1 | Bag of hinged crank for articulated crank handle | 1 | K-13162-00-0-* |
| 1 | Bag of coupling horn for removable crank rod | 1 | K-13165-00-0-1 |



1 Hinged crank 9-32231-00-0-*
 1 Rod bracket 9-32232-00-0-*
 1 Conical notched pin 9-11595-14-0-1

Bag of hinged crank
K-13162-00-0-*



1 Coupling horn 9-29570-00-0-1
 1 Conical notched pin 9-11595-14-0-1

Bag of coupling horn
K-13165-00-0-1

Assembly drawing 0-40636

Fan-light fittings for windows

According to the defined manufacturer's liability described in paragraph 4 of the German "product liability law", the following information regarding fan-light fittings for windows should be observed. Non-compliance exempts the manufacturer of his liability.

1. Product information and specified application

Fan-light fittings are devices designed for opening and closing fan-lights with various opening methods – particularly bottom hung inward opening and top hung outward opening windows in building construction.

They are designed to open and close window sashes which are not within the reach of a person by operating a lever handle connected with the opening stay via rods. The lever handle is mounted to the window frame or to the brickwork. The opening stay may also be operated via crank gear, electric motor, pneumatic or hydraulic cylinder.

The surface of the fan-light fittings is protected against corrosion.

Fan-light fittings are used on windows made of timber, PVC, aluminium or steel, and their corresponding material combinations.

Opening stays come in various versions adapted to various opening methods of windows and to various possibilities of installing a window in a structure. The opening stays are designed to bring window sashes in several ventilation positions and to lock them. Differing applications are not in compliance with the hardware's specified application.

Burglar-resistant windows, windows for damp rooms and those for use in environments with aggressive, corrosive air content, require special hardware.

Opened window sashes achieve only a shielding function and do not meet any demands on joint impermeability, water tightness, sound reduction, heat insulation and burglary resistance.

For windows operated via electric motor, pneumatic or hydraulic cylinder although positioned within the reach of a person – i.e. below 2500 mm above floor level –, it is necessary to observe the guidelines applying to force controlled gates and doors.

After window cleaning, the stay must be reinserted and secured according to the manufacturer's instructions.

With top hung outward or inward opening sashes, it is necessary to provide catch stays in addition to the fan-light fittings to limit the tilt movement of the sash after the opening stay has been unhinged (catch position, e.g. for cleaning). The opening width of the catch position is slightly larger than the width of the opening stay.

Tilt sashes in cleaning position must be secured in a way to ensure that no unallowable forces act on the hinges.

In the case of wind and draught, the window sashes must be closed and locked. In order to prevent damage, the lever handle must be set in specified final position.

2. Misuse

Misuse – therefore not the specified product utilisation – of fan-light hardware for windows occurs in particular:

- if obstacles are inserted into the opening vicinity, thus preventing its proper specified use,
- if additional loads are put on windows sashes,
- if someone reaches between the sash and frame, and/or a person or body part is in this vicinity while the window is closing,
- if the stays are not hinged and secured as prescribed by the manufacturer,
- if with the stay released for window cleaning, the sash is not brought in correct position.

3. Liability

The respective entire hardware set may only consist of G.U hardware components. In the case of inappropriately assembled hardware, and/or in case of non original accessory components and/or non factory-approved accessory components, no liability is accepted.

For professional assembly G.U assembly drawings and mounting instructions are to be consulted.

4. Product performance

4.1 Maximum sash weights and dimensions

For each type of stay arm the maximum sash weights and dimensions specified by the manufacturer are to be observed. Apart from the sash weight, the distance between the centre of gravity and the pivot point of the sash is decisive.

For the determination of the maximum sash dimensions and the number of coupled sashes, the manufacturer's regulations concerning the corresponding type of drive are to be observed.

4.2 Hardware composition

The manufacturer's regulations concerning the composition of hardware are obligatory (for example the arrangement of exterior handles, the hardware layout for burglary resistant window and patio door sashes).

5. Product maintenance

Security relevant hardware components are to be examined at least once a year for stability and wear and tear. Depending on the requirements, the fixing screws are to be tightened and/or parts replaced. In addition to this, the following maintenance work is to be carried out annually:

- All movable parts and all locking points of the sliding hardware are to be greased and tested.
- Only cleaning and maintenance agents which do not damage the corrosion protection of the hardware components are to be used.

Hardware adjustments as well the replacement of parts are to be carried out by a specialist company.

6. Obligation to issue information and instructions

To fulfil the information and instruction obligations as well as the maintenance operations according to the "product liability law", the following documentation is made available:

- for planning engineers "planning documents"
- for authorized dealers "catalogues"
- for fabricators "installation instructions" and "assembly drawings"
- for builders and end users: "service and maintenance instructions" as well as "operating manuals".

In order to safeguard the function of fan-light fittings for windows,

- Planning engineers are obliged to request and comply with the manufacturers' or authorized dealers' product information.
- The authorized dealers are obliged to observe and request the product information from the manufacturer and to pass them on to the fabricators, in particular installation instructions, assembly drawings, service and maintenance instructions as well as operating manuals.
- Fabricators are obliged to observe the product information and in particular to request service and maintenance instructions as well as operating manuals from the manufacturer or authorized dealer and to pass them on to the builders and end users.

7. Applicability for related hardware

Systems equipped with fan-light fittings – e.g. smoke and heat evacuating systems – are to be treated according to the corresponding valid features of product performance, product maintenance, specified use/application and misuse, product information and instruction obligations.

Fan-light openers, face-fixed for PVC windows

Application

Range of applications for face-fixed fan-light openers:

- Bottom hung inward opening or top hung outward opening windows with one or more sashes
- Installation for group ventilation as well as smoke and heat evacuation.

Designs

Fan-light opener VENTUS F 200

Slimline, unobtrusive opener with force locked horizontal stay arms for rectangular, oblique angle head, arch head and segmental arch head tilt windows. Vertical and horizontal rods covered with clip-on aluminium profile.

Fan-light opener VENTUS F 300

Slimline, unobtrusive opener with force locked horizontal stay arms for rectangular, oblique angle head tilt windows. Vertical and horizontal rods covered with clip-on aluminium profile.

Operation variants

- Lever handle
- Lever handle and bell-shaped corner transmission
- Lever handle and rod transmission
- Lever handle and flexible transmission
- Vertical gear, articulated crank rod fixed or removable
- Corner gear, articulated crank rod fixed or removable
- Vertical or corner gear with transmissions
- Electrical drives for individual and group control

Group ventilation installations

Operation of ventilation sashes by electric drives ELTRAL. For electric drives an additional individual control is possible.

Special fan-light opener versions

Apart from the standard versions presented in this catalogue, manifold project related solutions are possible. Prices on request.

Standard colours

Colour EV 1

- Aluminium parts anodized in natural tone
- Other visible parts in silver colour

Colour UC 3

- Aluminium parts anodized in medium bronze colour
- Other visible parts in medium brown

Colour UC 5

- Aluminium parts anodized in dark bronze colour
- Other visible parts in dark brown

White

- Aluminium parts with white lacquer finish (RAL 9016)
- Other visible parts in white colour (RAL 9016)

Further colours and finishes on request.

Materials, surface sealing ferGUard*silver

The fitting parts are made of high quality steel, zinc die-casting and aluminium alloys.

According to the material they are protected against corrosion by the surface sealing ferGUard*silver, aluminium parts are anodised.

Application

| Type of fittings | Sash width | Sash height | Opening width | Stroke | O-E | Space requirement | | Rod | Standard assembly drawing |
|------------------|---------------|--------------------|----------------|--------------|-----|-------------------|-----------|-----|---------------------------|
| | Dim. FB mm | Dim. FH min. mm | | | | lateral mm | top mm | | |
| VENTUS F 200 | 400-3600 [1] | 300 | 200 [1] | 50 [1] | 440 | 20 | 20 | 8 | 0.43700.1 |
| | 400-3600 | 250 | 165 | 40 | | | | | |
| VENTUS F 300 | 620-3600 | 350 | 300 [1] 220 | 70 [1] 50 | 570 | 26 | 26 | 10 | 0.42700.1 |

[1] Standard version

The newly developed sealing ferGUard*silver sets the standard

Surface coating free of chromate providing optimum corrosion protection = ferGUard

- Over the years, plaster, cement, paint and cleaning detergents considerably affect the surface of builder's hardware.
Possible consequence: claims

- Due to the surface sealing ferGUard*silver, damage through corrosion involving reclamation is reliably prevented.
The finish ferGUard*silver consists of a new combined coating (zinc + passivation without hexavalent chromium + additional coating) of superior anti-corrosive qualities.

- The coats are applied without organic components, heavy metals and hexavalent chromium; that is, the new surface sealing ferGUard*silver is environment-friendly and up to date.

- Another advantage:
The new finish ferGUard*silver produces an impressively even, silvery finish on the fitting parts: A new, additional sales argument with your customers.

How does the additional coating work?

As before, the fitting parts are protected by a zinc coat with succeeding yellow passivation (method: zinc + standard chromizing). The new additional coat was developed in cooperation with leading suppliers of chemical engineering and with the automotive industry. After the usual treatment, the fitting components are covered with an inorganic coat in an additional procedure. This process step is carried out on a fully automatic and computer controlled production line. The additional coat deeply permeates into the passivated coat, sealing the whole component firmly and permanently. Special corrosion inhibitors additionally retard the beginning of corrosion.

All in all, the new **G.U finish** offers to dealers, manufacturers and customers a large variety of **advantages**:

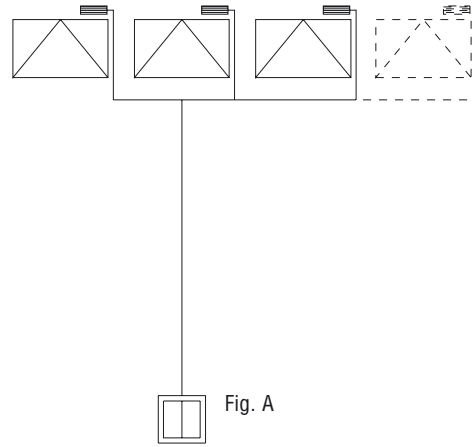
- Considerably improved corrosion protection due to additional coating.
- Longer product life of windows and doors.
- Without organic components and heavy metals, the new G.U finish is environment-friendly and up to date.
- If there is mechanic damage to the surface or if a component is cut (e.g. forend cut to length), the blank spot will not corrode due to the sacrificial protective effect of the zinc coat.
- Fewer customer claims due to a finish more resistant against detergents and household chemicals than others.
- Even, silvery finish of fitting parts throughout our complete product range.
- Complying with the environmental regulations of the EC, our newly developed coating system ferGUard*silver does not contain hexavalent chromium.

Group ventilation installations with electric drives

Group ventilation installation

with 1 operating point according to figure A

| Qty. | Description |
|--------|---|
| 1 - 20 | Electric drive ELTRAL S 230 L, ELTRAL S 230 E Electric drive ELTRAL 300 E1 |
| 1 | Rocker switch, single-pole |



Fan-light openers, face-fixed for timber and PVC windows
assembly drawings, G.U security and rebate stays

PVC Profile systems

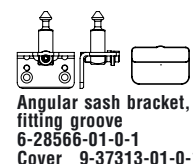
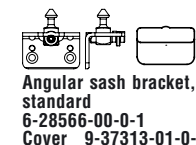
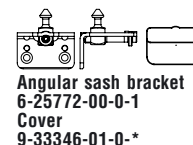
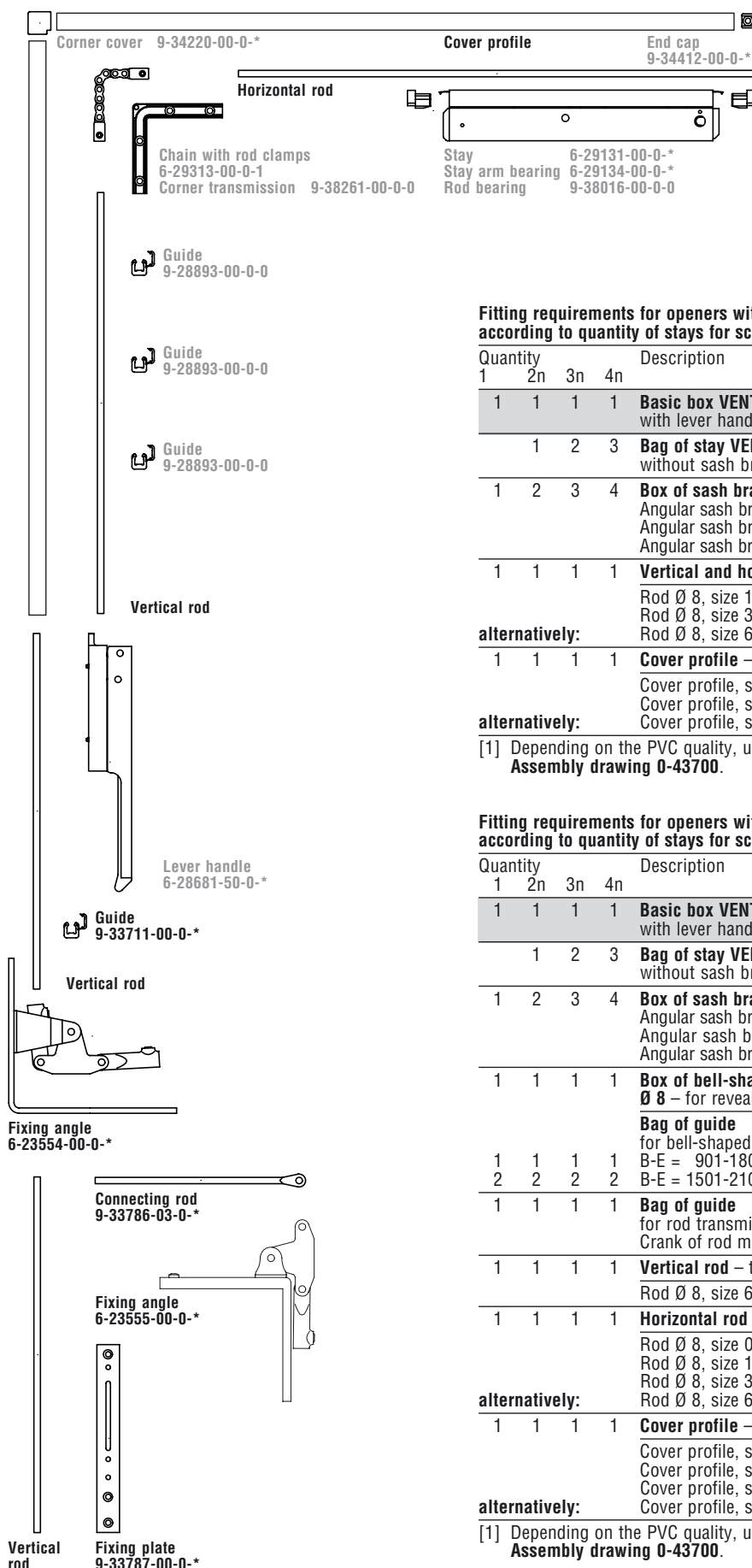
| Profile systems | Sash profile | Frame profile | Assembly drawing VENTUS F 200 | VENTUS F 300 | Security stay | Rebate stay |
|-------------------------------|--------------|---------------|----------------------------------|--------------|---------------|-------------------------|
| Accord | 503002 | 503001 | 0-43700 | | | No. 28 / 5-21024-20-0-1 |
| Accord | 503602 | 503601 | 0-43700 | | | No. 28 / 5-21024-20-0-1 |
| Accord Contour 7.0 MD | A.FL 02 | A.RA 02 | 0-43700 | 0-43577 | | |
| Actual System 400 | P 1406 | P 1401 | 0-43700 | | EURO-SOLID | No. 28 / 5-21024-20-0-1 |
| Actual System 500 | P 1506 | P 1501 | 0-43700 | 0-43220 | | No. 28 / 5-21024-20-0-1 |
| Aluplast Ideal 2000 | 120022 | 120002 | 0-43700 | | EURO-SOLID | |
| Aluplast Ideal 4000 | 140025 | 140002 | 0-43700 | | EURO-SOLID | |
| Aluplast Ideal 5000 | 150025 | 150002 | 0-43700 | | EURO-SOLID | |
| Aluplast Signum 21 | 70 | 71 | 0-43700 | | EURO-SOLID | |
| Aluplast Signum 25 | 2539 | 2534 | 0-43700 | 0-43258 | | No. 28 / 5-21024-20-0-1 |
| Atrya (Tryba) E 58 | Z 74 | L 65 | 0-43700 | | EURO-SOLID | No. 28 / 5-21024-20-0-1 |
| Brüggmann AD | HP 152 | HP 102 | 0-43700 | | EURO-SOLID | No. 28 / 5-21024-20-0-1 |
| Brüggmann MD | HP 252 | HP 202 | 0-43700 | | EURO-SOLID | No. 28 / 5-21024-20-0-1 |
| Brüggmann-81 | HF 401 | HF 431 | 0-43700 | 0-42864 | EURO-SOLID | |
| Brüggmann-Euro 92 | HF 952 | HF 941 | 0-43700 | 0-43042 | | |
| Bug Serie Kompakt | 690 445 | 690 400 | 0-43700 | 0-43192 | | No. 28 / 5-21024-20-0-1 |
| Deceuninck Mondial | P 2021 | P 2000 | 0-43700 | | EURO-SOLID | |
| Egeprofil-Türkei | | | 0-43700 | | | No. 28 / 5-21024-20-0-1 |
| Gealan S 3000 | 3090 | 3008 | 0-43700 | 0-42992 | EURO-SOLID | |
| Gealan S 6000 | | | 0-43700 | | | |
| Gealan S 8000 | 8066 | 8008 | 0-43700 | | EURO-SOLID | |
| Grosfillex | P325 | P301 | 0-43700 | | F.43456.4 | |
| Helmitin A 60 | 4-60077 | 4-60067 | 0-43700 | | | |
| Helmitin KS | 4-60116 | 4-60111 | 0-43700 | | EURO-SOLID | |
| Helmitin MS | 4-60089 | 4-60055 | 0-43700 | | | |
| Hocoplast | 120-86 | 100-68 | 0-43700 | | EURO-SOLID | |
| Hocoplast H 100 | HK 2 | HK 1 | 0-43700 | | EURO-SOLID | No. 28 / 5-21024-20-0-1 |
| HT-Troplast Innonova 2000 | 520100 | 510100 | 0-43700 | | EURO-SOLID | No. 28 / 5-21024-20-0-1 |
| HT-Troplast Innonova 70 AD | 620600 | 610100 | 0-43700 | | EURO-SOLID | No. 28 / 5-21024-20-0-1 |
| HT-Troplast Innonova 70 MD | 520600 | 510300 | 0-43700 | | EURO-SOLID | No. 28 / 5-21024-20-0-1 |
| HT-Troplast Trocal 900 | 920100 | 910100 | 0-43700 | | EURO-SOLID | No. 28 / 5-21024-20-0-1 |
| HT-Troplast Trocal Confort | 120400 | 111000 | 0-43700 | | | No. 28 / 5-21024-20-0-1 |
| Illerplastic | HFL 1.201 | HST 1.120 | 0-43700 | | EURO-SOLID | |
| Internorm | IF | LS | 0-43700 | | EURO-SOLID | |
| Intertec (Greiner) | GF 1020 | GF 1001 | 0-43700 | | EURO-SOLID | |
| Intertec (Greiner) | GF 2020 | GR 2001 | 0-43700 | | EURO-SOLID | |
| Jansen | | | 0-43700 | | EURO-SOLID | |
| KBE AD | 318 | 306 | 0-43700 | 0-42872 | EURO-SOLID | No. 28 / 5-21024-20-0-1 |
| KBE AD 70 | 375 | 370 | 0-43700 | | EURO-SOLID | No. 28 / 5-21024-20-0-1 |
| KBE MD | 114;113 | 100;102 | 0-43700 | | EURO-SOLID | |
| Knipping System 3000 | 3066 | 3022 | 0-43700 | 0-43207 | EURO-SOLID | No. 28 / 5-21024-20-0-1 |
| Kö-Profine EuroFutur Elegance | 111 | 101 | 0-43700 | | EURO-SOLID | No. 28 / 5-21024-20-0-1 |
| Kö-Profine Gold | 1463 | 1461 | 0-43700 | 0-42903 | | No. 28 / 5-21024-20-0-1 |
| Kö-Profine Tritec | P 1472 | P 1320 | 0-43700 | 0-43303 | | No. 28 / 5-21024-20-0-1 |
| LB-Profile PAD | AZ 2-3 | AL 1-3 | 0-43700 | 0-43225 | EURO-SOLID | No. 28 / 5-21024-20-0-1 |
| LB-Profile PMD | MZ 2-3 | ML 2-3 | 0-43700 | 0-43406 | EURO-SOLID | No. 28 / 5-21024-20-0-1 |
| Plustec | FLR 60 | BLR 80 | 0-43700 | | | |
| Plustec 3 K-System AD | FR 50 V | BR 56 | 0-43700 | | EURO-SOLID | No. 28 / 5-21024-20-0-1 |
| Profilia PRO 600 | PF 076 | PF 090 | 0-43700 | | | No. 28 / 5-21024-20-0-1 |
| Pural | P 005 | P 010 | 0-43700 | | | No. 28 / 5-21024-20-0-1 |
| Pural | P 005 | P 002 | 0-43700 | | | No. 28 / 5-21024-20-0-1 |
| Reckendrees | | | 0-43700 | | EURO-SOLID | |
| Rehau S 702 | 542 100 | 608 052 | 0-43700 | 0-42865 | | |
| Rehau S 711 | 551 020 | 551 150 | 0-43700 | | | |
| Rehau S 730 | 541 010 | 541 060 | 0-43700 | 0-43011 | EURO-SOLID | |
| Rehau S 796 | A553010 | A553000 | 0-43700 | 0-43455 | | |
| Rekord Quadro | | | 0-43700 | | EURO-SOLID | |
| Roplasto 6001 Plus S-AD | 610202 | 619100 | 0-43700 | 0-42866 | | No. 28 / 5-21024-20-0-1 |

Fan-light openers, face-fixed for timber and PVC windows
assembly drawings, G.U security and rebate stays

PVC Profile systems

| Profile systems | Sash profile | Frame profile | Assembly drawing VENTUS F 200 | VENTUS F 300 | Security stay | Rebate stay |
|-------------------------|--------------|---------------|----------------------------------|--------------|---------------|-------------------------|
| Roplasto 6001 Plus S-AD | 641300 | 619003 | 0-43700 | | EURO-SOLID | |
| Roplasto 6001 Plus S-MD | 641300 | 611400 | 0-43700 | | | No. 28 / 5-21024-20-0-1 |
| Salamander Design 2D | 211 025 | 210 020 | 0-43700 | | EURO-SOLID | No. 28 / 5-21024-20-0-1 |
| Salamander Design MD | 111 026 | 110 036 | 0-43700 | | EURO-SOLID | No. 28 / 5-21024-20-0-1 |
| Salamander Universal | 201 020 | 200 020 | 0-43700 | 0-42867 | EURO-SOLID | No. 28 / 5-21024-20-0-1 |
| Salamander Universal | 201 020 | 200 030 | 0-43700 | | EURO-SOLID | No. 28 / 5-21024-20-0-1 |
| Schock Thermassiv | FE | BE | 0-43700 | | EURO-SOLID | |
| Schüco AS | 700101 | 701301 | 0-43700 | | EURO-SOLID | |
| Schüco Corona AS 60 | 8105 | 8101 | 0-43700 | | EURO-SOLID | |
| Schüco MF | 717800 | 171600 | 0-43700 | | EURO-SOLID | |
| Semperdur 6001 | 6113 | 6114 | 0-43700 | | | No. 28 / 5-21024-20-0-1 |
| Soprofen Serie T 62 | BS 100 | NS 100 | 0-43700 | | EURO-SOLID | No. 28 / 5-21024-20-0-1 |
| Stöckel Twinstep | 1211 | 1111 | 0-43700 | | | No. 28 / 5-21024-20-0-1 |
| Thermopur | P 2 | P 1 | 0-43700 | | | No. 28 / 5-21024-20-0-1 |
| Thyssen-AD | Z 10 | L 10 | 0-43700 | 0-42869 | EURO-SOLID | No. 28 / 5-21024-20-0-1 |
| Thyssen-Kompakt | Z 1 | L 3 | 0-43700 | | | No. 28 / 5-21024-20-0-1 |
| Thyssen-MD | ZM 1 | LM 10 | 0-43700 | | EURO-SOLID | |
| Veka Softline AD | 103.102 | 101.086 | 0-43700 | 0-42870 | EURO-SOLID | No. 28 / 5-21024-20-0-1 |
| Veka Softline AD | 103.104 | 101.086 | 0-43700 | | EURO-SOLID | No. 28 / 5-21024-20-0-1 |
| Veka Softline MD | 103.116 | 101.098 | 0-43700 | | EURO-SOLID | |
| Veka Topline AD | 103.200 | 101.200 | 0-43700 | | EURO-SOLID | No. 28 / 5-21024-20-0-1 |
| Veka Topline MD | 103.220 | 101.220 | 0-43700 | | EURO-SOLID | No. 28 / 5-21024-20-0-1 |
| Weru | | | 0-43700 | | EURO-SOLID | |

Standard version Lever handle and transmissions



Fitting requirements for openers with lever handle according to quantity of stays for schemes 1 to 4n

| Quantity | Description | | | | PU | Article No. |
|----------|-------------|----|----|----|----|---|
| | 1 | 2n | 3n | 4n | | |
| 1 | 1 | 1 | 1 | 1 | 1 | Basic box VENTUS F 200 with lever handle – without sash bracket |
| | | 1 | 2 | 3 | 10 | Bag of stay VENTUS F 200 without sash bracket |
| 1 | 2 | 3 | 4 | 4 | 10 | Box of sash bracket [1] VENTUS F 200 Angular sash bracket |
| | | | | | 10 | Angular sash bracket, standard |
| | | | | | 10 | Angular sash bracket, fitting groove |
| 1 | 1 | 1 | 1 | 1 | 10 | Vertical and horizontal rod – to be cut from: Rod Ø 8, size 18 – length 1850 mm |
| | | | | | 10 | Rod Ø 8, size 33 – length 3300 mm |
| | | | | | 10 | alternatively: Rod Ø 8, size 60 – stock length 6000 mm |
| 1 | 1 | 1 | 1 | 1 | 10 | Cover profile – to be cut from: Cover profile, size 18 – length 1800 mm |
| | | | | | 10 | Cover profile, size 33 – length 3050 mm |
| | | | | | 10 | alternatively: Cover profile, size 60 – stock length 6000 mm |

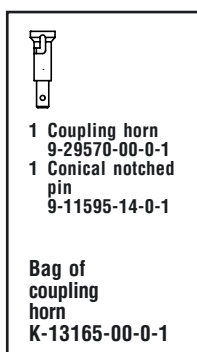
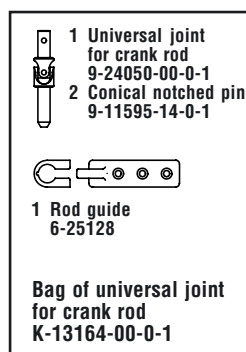
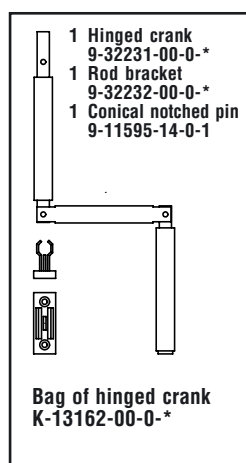
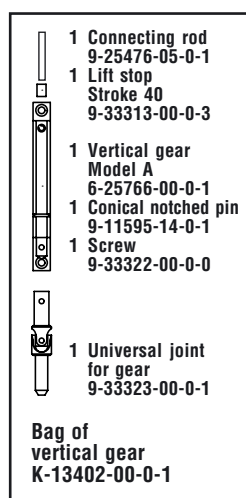
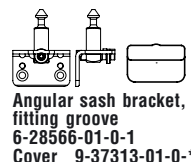
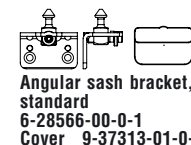
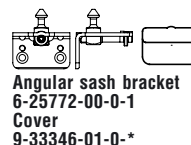
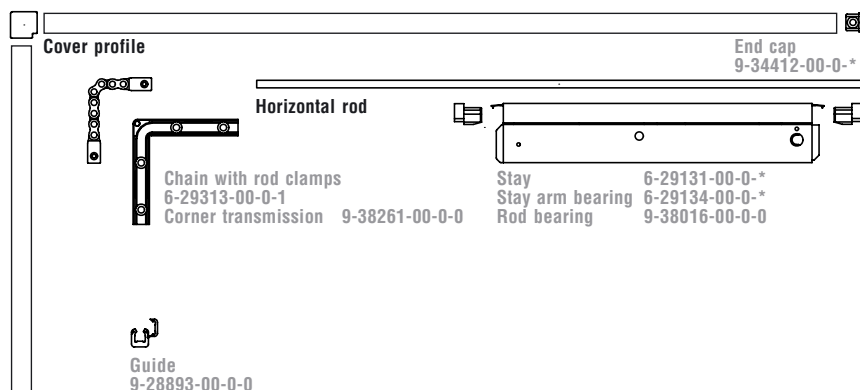
[1] Depending on the PVC quality, use shim 9-33105-00-0-1 (see optional parts) –
Assembly drawing 0-43700.

Fitting requirements for openers with transmissions according to quantity of stays for schemes 1 to 4n

| Quantity | Description | | | | PU | Article No. |
|----------|-------------|----|----|----|----|---|
| | 1 | 2n | 3n | 4n | | |
| 1 | 1 | 1 | 1 | 1 | 1 | Basic box VENTUS F 200 with lever handle – without sash bracket |
| | | 1 | 2 | 3 | 10 | Bag of stay VENTUS F 200 without sash bracket |
| 1 | 2 | 3 | 4 | 4 | 10 | Box of sash bracket [1] VENTUS F 200 Angular sash bracket for aluminium + CONTURA |
| | | | | | 10 | Angular sash bracket, standard |
| | | | | | 10 | Angular sash bracket, fitting groove |
| 1 | 1 | 1 | 1 | 1 | 1 | Box of bell-shaped corner transmission Ø 8 – for reveal 150-405 mm |
| | | | | | 1 | Bag of guide for bell-shaped corner transmission Ø 8 B-E = 901-1800 mm |
| | | | | | | B-E = 1501-2100 mm |
| 1 | 1 | 1 | 1 | 1 | 1 | Bag of guide for rod transmission 8 Crank of rod max. 100 mm |
| 1 | 1 | 1 | 1 | 1 | 1 | Vertical rod – to be cut from: Rod Ø 8, size 60 – stock length 6000 mm |
| 1 | 1 | 1 | 1 | 1 | 10 | Horizontal rod – to be cut from: Rod Ø 8, size 06 – length 600 mm |
| | | | | | 10 | Rod Ø 8, size 18 – length 1850 mm |
| | | | | | 10 | Rod Ø 8, size 33 – length 3300 mm |
| | | | | | 10 | alternatively: Rod Ø 8, size 60 – stock length 6000 mm |
| 1 | 1 | 1 | 1 | 1 | 10 | Cover profile – to be cut from: Cover profile, size 06 – length 800 mm |
| | | | | | 10 | Cover profile, size 18 – length 1800 mm |
| | | | | | 10 | Cover profile, size 33 – length 3050 mm |
| | | | | | 10 | alternatively: Cover profile, size 60 – stock length 6000 mm |

[1] Depending on the PVC quality, use shim 9-33105-00-0-1 (see optional parts) –
Assembly drawing 0-43700.

Standard version Vertical gear



Fitting requirements for openers with vertical gear according to quantity of stays for schemes 1 to 4n

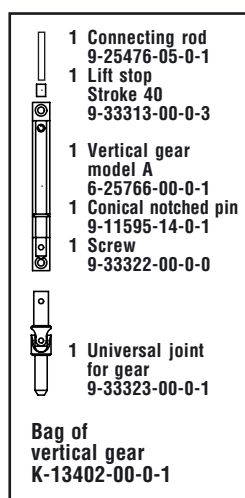
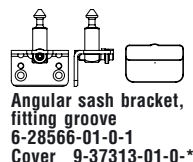
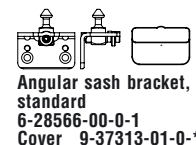
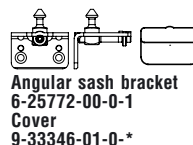
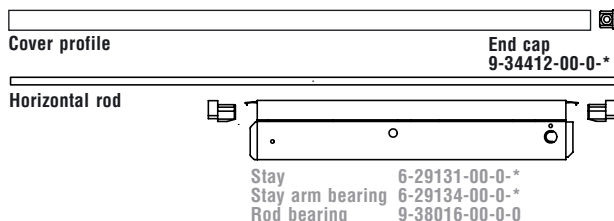
| Quantity | 1 | 2n | 3n | 4n | Description | PU | Article No. |
|-----------------------|---|----|----|----|---|----------------------|--|
| 1 | 1 | 1 | 1 | 1 | Basic box VENTUS F 200 without lever handle – without sash bracket | 1 | K-15012-00-0-* |
| | | 1 | 2 | 3 | Bag of stay VENTUS F 200 without sash bracket | 10 | K-15013-00-0-* |
| 1 | 2 | 3 | 4 | | Box of sash bracket [1] VENTUS F 200 Angular sash bracket Angular sash bracket, standard Angular sash bracket, fitting groove | 10 10 10 | K-15225-00-0-* K-15224-00-0-* K-15224-01-0-* |
| 1 | 1 | 1 | 1 | 1 | Horizontal rod – to be cut from: Rod Ø 8, size 06 – length 600 mm Rod Ø 8, size 18 – length 1850 mm Rod Ø 8, size 33 – length 3300 mm Rod Ø 8, size 60 – stock length 6000 mm | 10 10 10 10 | 9-25476-06-0-1 9-25476-18-0-1 9-25476-33-0-1 9-25476-60-0-1 |
| alternatively: | 1 | 1 | 1 | 1 | Cover profile – to be cut from: Cover profile, size 06 – length 800 mm Cover profile, size 18 – length 1800 mm Cover profile, size 33 – length 3050 mm Cover profile, size 60 – stock length 6000 mm | 10 10 10 10 | 9-33444-06-0-* 9-33444-18-0-* 9-33444-33-0-* 9-33444-60-0-* |
| alternatively: | 1 | 1 | 1 | 1 | Bag of vertical gear, model A | 1 | K-13402-00-0-1 |

[1] Depending on the PVC quality, use shim 9-33105-00-0-1 (see optional parts) – **Assembly drawing 0-43700.**

Fitting requirements for articulated crank rod and accessories according to types a to h for vertical and corner gears

| Types | a | b | c | d | e | f | g | h | Description | PU | Article No. |
|-------|---|---|---|---|---|---|---|---|---|----|----------------|
| | 1 | 1 | 1 | 1 | 1 | 1 | 1 | 1 | Crank rod (not illustrated) – to be cut from: aluminium tube, stock length 5000 mm | 1 | 9-32230-50-0-* |
| | 1 | 1 | 1 | 1 | 1 | 1 | 1 | 1 | Bag of hinged crank | 1 | K-13162-00-0-* |
| | | | 1 | 2 | 2 | 1 | 1 | | Bag of universal joint for crank rod | 1 | K-13164-00-0-1 |
| | 1 | 1 | 1 | 1 | 1 | | | | Bag of coupling horn | 1 | K-13165-00-0-1 |

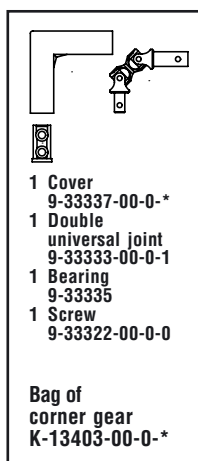
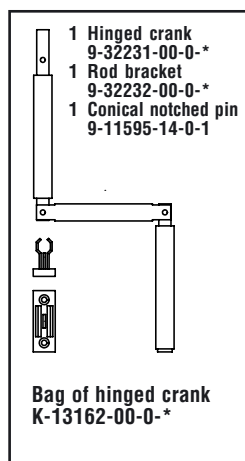
Standard version Corner gear



Fitting requirements for openers with corner gear according to quantity of stays for schemes 1 to 4n

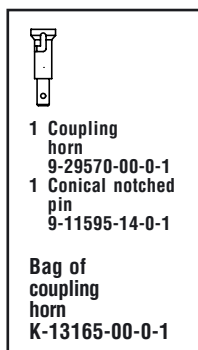
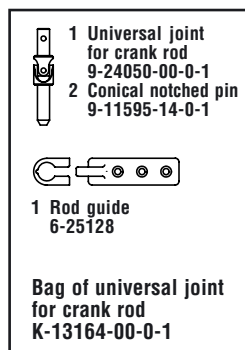
| Quantity | Description | PU | Article No. |
|----------------|---|----------------------|--|
| 1 2n 3n 4n | Bag of stay VENTUS F 200 without sash bracket | 10 | K-15013-00-0* |
| 1 1 1 1 | End cap | 1 | 9-34412-00-0* |
| 1 2 3 4 | Box of sash bracket [1] VENTUS F 200 Angular sash bracket Angular sash bracket, standard Angular sash bracket, fitting groove | 10 10 10 | K-15225-00-0* K-15224-00-0* K-15224-01-0* |
| 1 1 1 1 | Horizontal rod – to be cut from: Rod Ø 8, size 06 – length 600 mm Rod Ø 8, size 18 – length 1850 mm Rod Ø 8, size 33 – length 3300 mm Rod Ø 8, size 60 – stock length 6000 mm | 10 10 10 10 | 9-25476-06-0-1 9-25476-18-0-1 9-25476-33-0-1 9-25476-60-0-1 |
| alternatively: | | | |
| 1 1 1 1 | Cover profile – to be cut from: Cover profile, size 06 – length 800 mm Cover profile, size 18 – length 1800 mm Cover profile, size 33 – length 3050 mm Cover profile, size 60 – stock length 6000 mm | 10 10 10 10 | 9-33444-06-0* 9-33444-18-0* 9-33444-33-0* 9-33444-60-0* |
| alternatively: | | | |
| 1 1 1 1 | Bag of vertical gear, model A | 1 | K-13402-00-0-1 |
| 1 1 1 1 | Bag of additional parts for corner gear, model A | 1 | K-13403-00-0* |

[1] Depending on the PVC quality, use shim 9-33105-00-0-1 (see optional parts) –
Assembly drawing 0-43700.

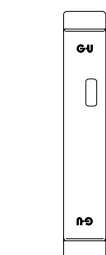
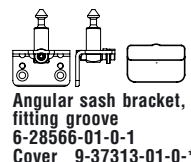
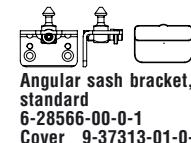
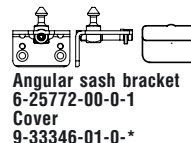
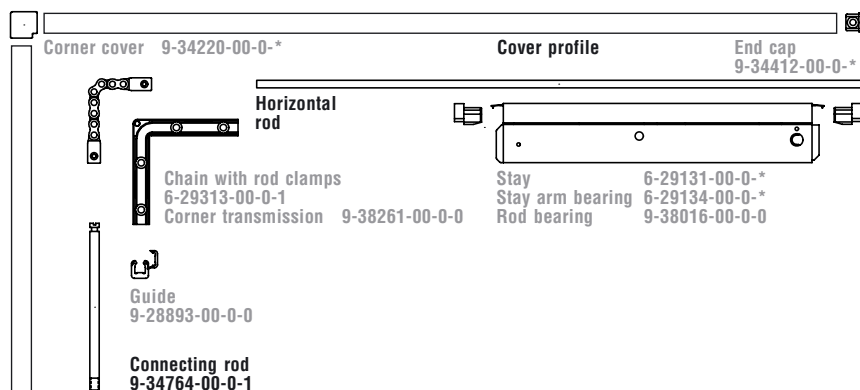


Fitting requirements for articulated crank rod and accessories according to types a to h for vertical and corner gears

| Types | Description | PU | Article No. |
|-----------------|--|----|----------------|
| a b c d e f g h | Crank rod (not illustrated) – to be cut from: aluminium tube, stock length 5000 mm | 1 | 9-32230-50-0* |
| 1 1 1 1 1 1 1 1 | Bag of hinged crank | 1 | K-13162-00-0* |
| 1 1 2 2 1 1 | Bag of universal joint for crank rod | 1 | K-13164-00-0-1 |
| 1 1 1 1 | Bag of coupling horn | 1 | K-13165-00-0-1 |



Standard version
ELTRAL, vertical installation on the side



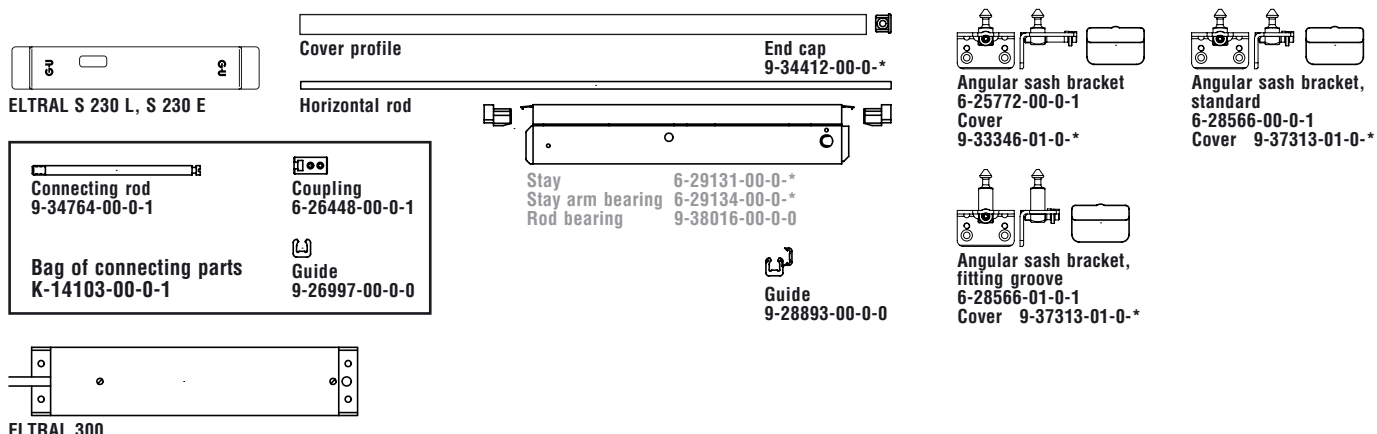
ELTRAL S 230 L, S 230 E

Fitting requirements for openers with ELTRAL for vertical installation according to quantity of stays for schemes 1 to 4n

| Quantity | 1 | 2n | 3n | 4n | Description | PU | Article No. |
|----------|---|----|----|----|---|----------------|--|
| 1 | 1 | 1 | 1 | 1 | Basic box VENTUS F 200 without lever handle – without sash bracket | 1 | K-15012-00-0-* |
| | | 1 | 2 | 3 | Bag of stay VENTUS F 200 without sash bracket | 10 | K-15013-00-0-* |
| 1 | 2 | 3 | 4 | 4 | Box of sash bracket [1] VENTUS F 200 Angular sash bracket for aluminium + CONTURA Angular sash bracket, standard Angular sash bracket, fitting groove | 10 10 10 | K-15225-00-0-* K-15224-00-0-* K-15224-01-0-* |
| 1 | 1 | 1 | 1 | 1 | Horizontal rod – to be cut from: | | |
| | | | | | Rod Ø 8, size 06 – length 600 mm | 10 | 9-25476-06-0-1 |
| | | | | | Rod Ø 8, size 18 – length 1850 mm | 10 | 9-25476-18-0-1 |
| | | | | | Rod Ø 8, size 33 – length 3300 mm | 10 | 9-25476-33-0-1 |
| | | | | | Rod Ø 8, size 60 – stock length 6000 mm | 10 | 9-25476-60-0-1 |
| | | | | | alternatively: | | |
| 1 | 1 | 1 | 1 | 1 | Cover profile – to be cut from: | | |
| | | | | | Cover profile, size 06 – length 800 mm | 10 | 9-33444-06-0-* |
| | | | | | Cover profile, size 18 – length 1800 mm | 10 | 9-33444-18-0-* |
| | | | | | Cover profile, size 33 – length 3050 mm | 10 | 9-33444-33-0-* |
| | | | | | Cover profile, size 60 – stock length 6000 mm | 10 | 9-33444-60-0-* |
| | | | | | alternatively: | | |
| 1 | 1 | 1 | 1 | 1 | Electric drive ELTRAL S 230 L | 1 | 6-31730-00-0-* |
| | | | | | Electric drive ELTRAL S 230 E | 1 | 6-31732-00-0-* |
| 1 | 1 | 1 | 1 | 1 | Connecting rod, Ø 8 mm, B = 400-3600 | 1 | 9-34764-00-0-1 |

[1] Depending on the PVC quality, use shim 9-33105-00-0-1 (see optional parts) –
Assembly drawing 0-43700.

Standard version ELTRAL, horizontal installation at the top

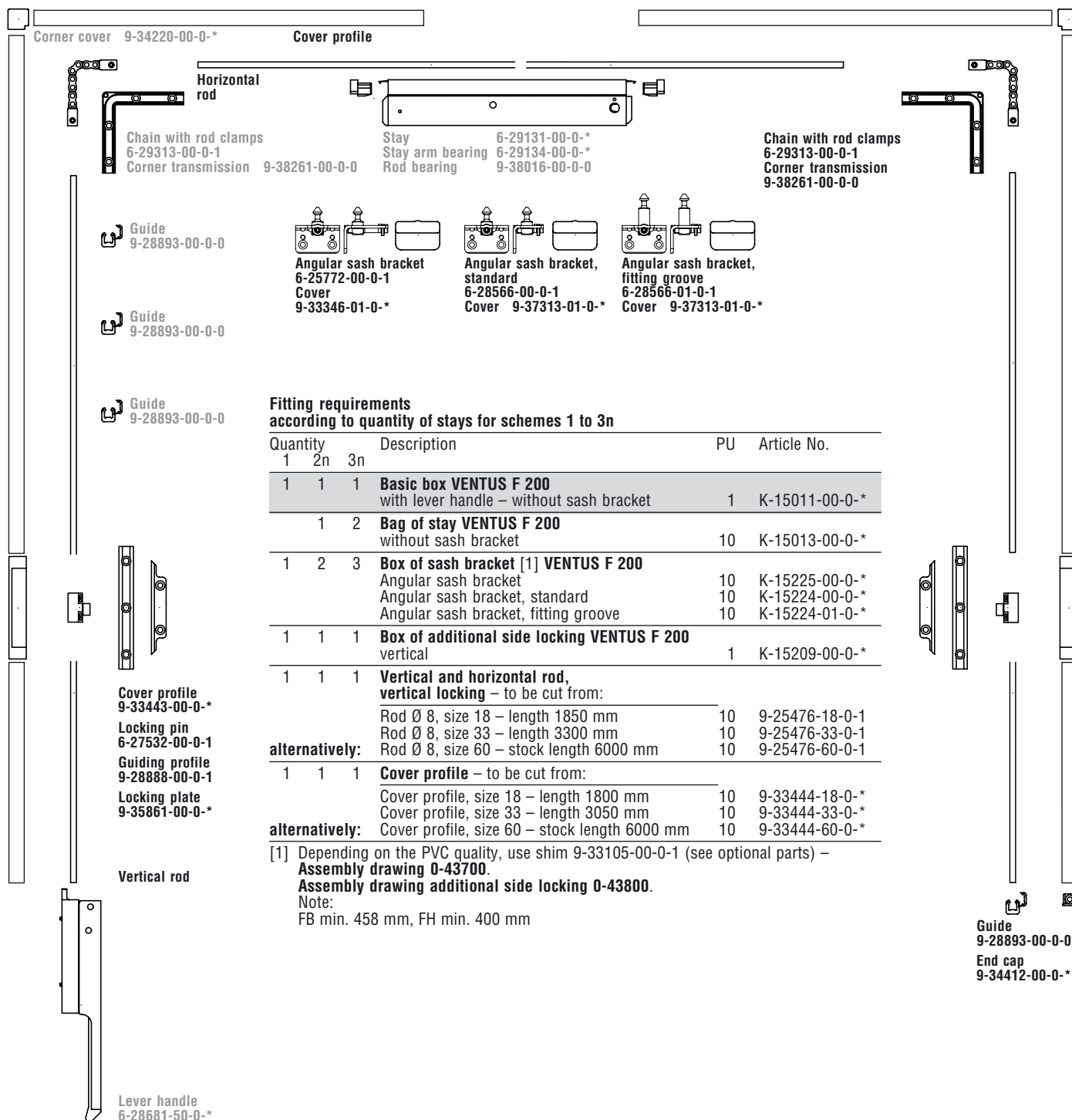


Fitting requirements for openers with ELTRAL for horizontal installation according to quantity of stays for schemes 1 to 4n

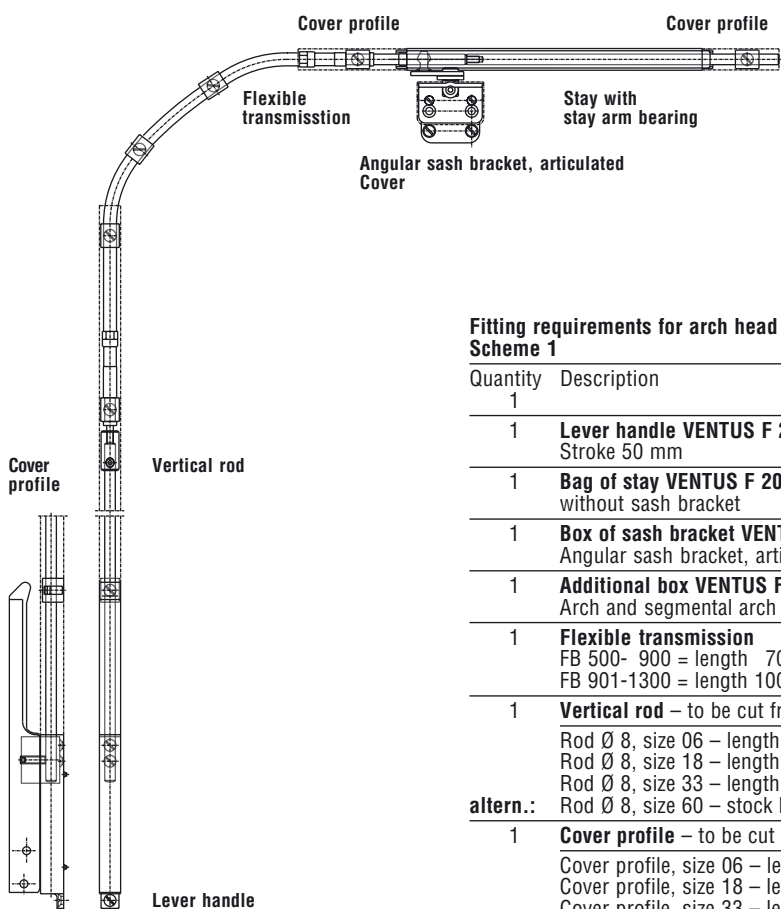
| Quantity | | | | Description | PU | Article No. |
|-----------------------|----|----|----|---|----|----------------|
| 1 | 2n | 3n | 4n | | | |
| 1 | 2 | 3 | 4 | Bag of stay VENTUS F 200 without sash bracket | 10 | K-15013-00-0* |
| 1 | 1 | 1 | 1 | End cap | 1 | 9-34412-00-0* |
| 1 | 1 | 1 | 1 | Guide | 1 | 9-28893-00-0-0 |
| 1 | 2 | 3 | 4 | Box of sash bracket [1] VENTUS F 200 | | |
| | | | | Angular sash bracket for aluminium + CONTURA | 10 | K-15225-00-0* |
| | | | | Angular sash bracket, standard | 10 | K-15224-00-0* |
| | | | | Angular sash bracket, fitting groove | 10 | K-15224-01-0* |
| 1 | 1 | 1 | 1 | Horizontal rod – to be cut from: | | |
| | | | | Rod Ø 8, size 06 – length 600 mm | 10 | 9-25476-06-0-1 |
| | | | | Rod Ø 8, size 18 – length 1850 mm | 10 | 9-25476-18-0-1 |
| | | | | Rod Ø 8, size 33 – length 3300 mm | 10 | 9-25476-33-0-1 |
| | | | | Rod Ø 8, size 60 – stock length 6000 mm | 10 | 9-25476-60-0-1 |
| alternatively: | | | | | | |
| 1 | 1 | 1 | 1 | Cover profile – to be cut from: | | |
| | | | | Cover profile, size 06 – length 800 mm | 10 | 9-33444-06-0* |
| | | | | Cover profile, size 18 – length 1800 mm | 10 | 9-33444-18-0* |
| | | | | Cover profile, size 33 – length 3050 mm | 10 | 9-33444-33-0* |
| | | | | Cover profile, size 60 – stock length 6000 mm | 10 | 9-33444-60-0* |
| alternatively: | | | | | | |
| 1 | 1 | 1 | 1 | Electric drive ELTRAL S 230 L | 1 | 6-31730-00-0* |
| alternatively: | | | | | | |
| 1 | 1 | 1 | 1 | Electric drive ELTRAL S 230 E | 1 | 6-31732-00-0* |
| 1 | 1 | 1 | 1 | Bag of connecting parts, B = 620-3600 | 1 | K-14103-00-0-1 |
| alternatively: | | | | | | |
| 1 | 1 | 1 | 1 | Electric drive ELTRAL 300 E1 | 1 | 9-31020-01-0* |
| alternatively: | | | | | | |
| 1 | 1 | 1 | 1 | Bag of connecting parts 300, B = 650-3600 | 1 | K-15216-00-0-1 |

[1] Depending on the PVC quality, use shim 9-33105-00-0-1 (see optional parts) –
Assembly drawing 0-43700.

Standard version Lever handle with additional side locking



Arch head and segmental arch head windows according to scheme 1
Standard version with flexible transmission



Fitting requirements for arch head windows Scheme 1

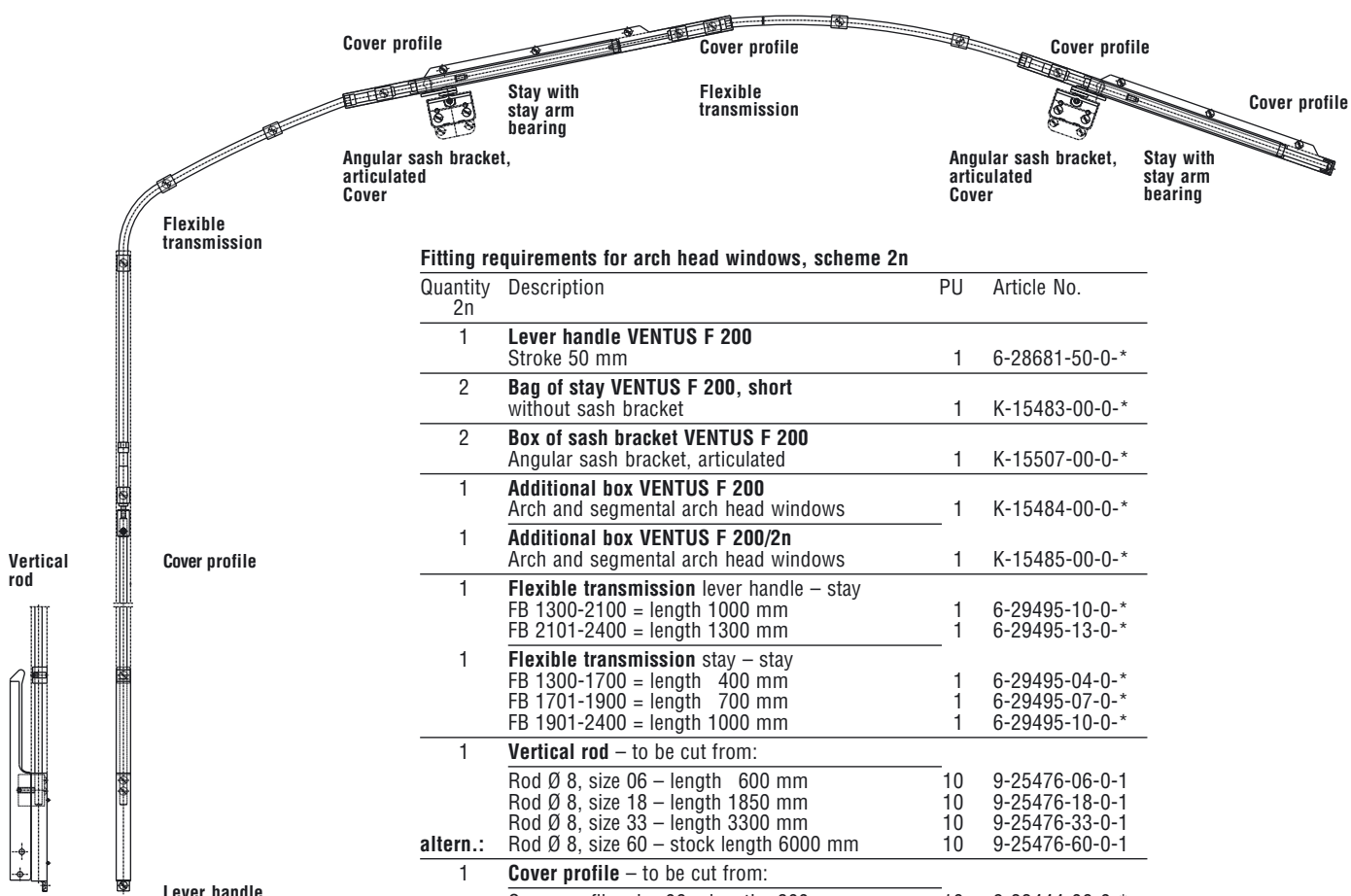
| Quantity | Description | PU | Article No. |
|-----------------|---|--------|----------------------------------|
| 1 | Lever handle VENTUS F 200 Stroke 50 mm | 1 | 6-28681-50-0-* |
| 1 | Bag of stay VENTUS F 200, short without sash bracket | 1 | K-15483-00-0-* |
| 1 | Box of sash bracket VENTUS F 200 Angular sash bracket, articulated | 1 | K-15507-00-0-* |
| 1 | Additional box VENTUS F 200 Arch and segmental arch head windows | 1 | K-15484-00-0-* |
| 1 | Flexible transmission FB 500- 900 = length 700 mm FB 901-1300 = length 1000 mm | 1 1 | 6-29495-07-0-* 6-29495-10-0-* |
| 1 | Vertical rod – to be cut from: | | |
| | Rod Ø 8, size 06 – length 600 mm | 10 | 9-25476-06-0-1 |
| | Rod Ø 8, size 18 – length 1850 mm | 10 | 9-25476-18-0-1 |
| | Rod Ø 8, size 33 – length 3300 mm | 10 | 9-25476-33-0-1 |
| altern.: | Rod Ø 8, size 60 – stock length 6000 mm | 10 | 9-25476-60-0-1 |
| 1 | Cover profile – to be cut from: | | |
| | Cover profile, size 06 – length 800 mm | 10 | 9-33444-06-0-* |
| | Cover profile, size 18 – length 1800 mm | 10 | 9-33444-18-0-* |
| | Cover profile, size 33 – length 3050 mm | 10 | 9-33444-33-0-* |
| altern.: | Cover profile, size 60 – stock length 6000 mm | 10 | 9-33444-60-0-* |

Fitting requirements for segmental arch head windows Scheme 1

| Quantity | Description | PU | Article No. |
|-----------------|--|-------------|--|
| 1 | Lever handle VENTUS F 200 Stroke 50 mm | 1 | 6-28681-50-0-* |
| 1 | Bag of stay VENTUS F 200, short without sash bracket | 1 | K-15483-00-0-* |
| 1 | Box of sash bracket VENTUS F 200 Angular sash bracket, articulated | 1 | K-15507-00-0-* |
| 1 | Additional box VENTUS F 200 Arch and segmental arch head windows | 1 | K-15484-00-0-* |
| 1 | Flexible transmission FB 500- 600 = length 400 mm FB 601- 900 = length 700 mm FB 901-1300 = length 1000 mm | 1 1 1 | 6-29495-04-0-* 6-29495-07-0-* 6-29495-10-0-* |
| 1 | Vertical rod – to be cut from: | | |
| | Rod Ø 8, size 06 – length 600 mm | 10 | 9-25476-06-0-1 |
| | Rod Ø 8, size 18 – length 1850 mm | 10 | 9-25476-18-0-1 |
| | Rod Ø 8, size 33 – length 3300 mm | 10 | 9-25476-33-0-1 |
| altern.: | Rod Ø 8, size 60 – stock length 6000 mm | 10 | 9-25476-60-0-1 |
| 1 | Cover profile – to be cut from: | | |
| | Cover profile, size 06 – length 800 mm | 10 | 9-33444-06-0-* |
| | Cover profile, size 18 – length 1800 mm | 10 | 9-33444-18-0-* |
| | Cover profile, size 33 – length 3050 mm | 10 | 9-33444-33-0-* |
| altern.: | Cover profile, size 60 – stock length 6000 mm | 10 | 9-33444-60-0-* |

Assembly drawing 0-43951

Arch and segmental arch head windows according to scheme 2n
Standard version with flexible transmission



Fitting requirements for arch head windows, scheme 2n

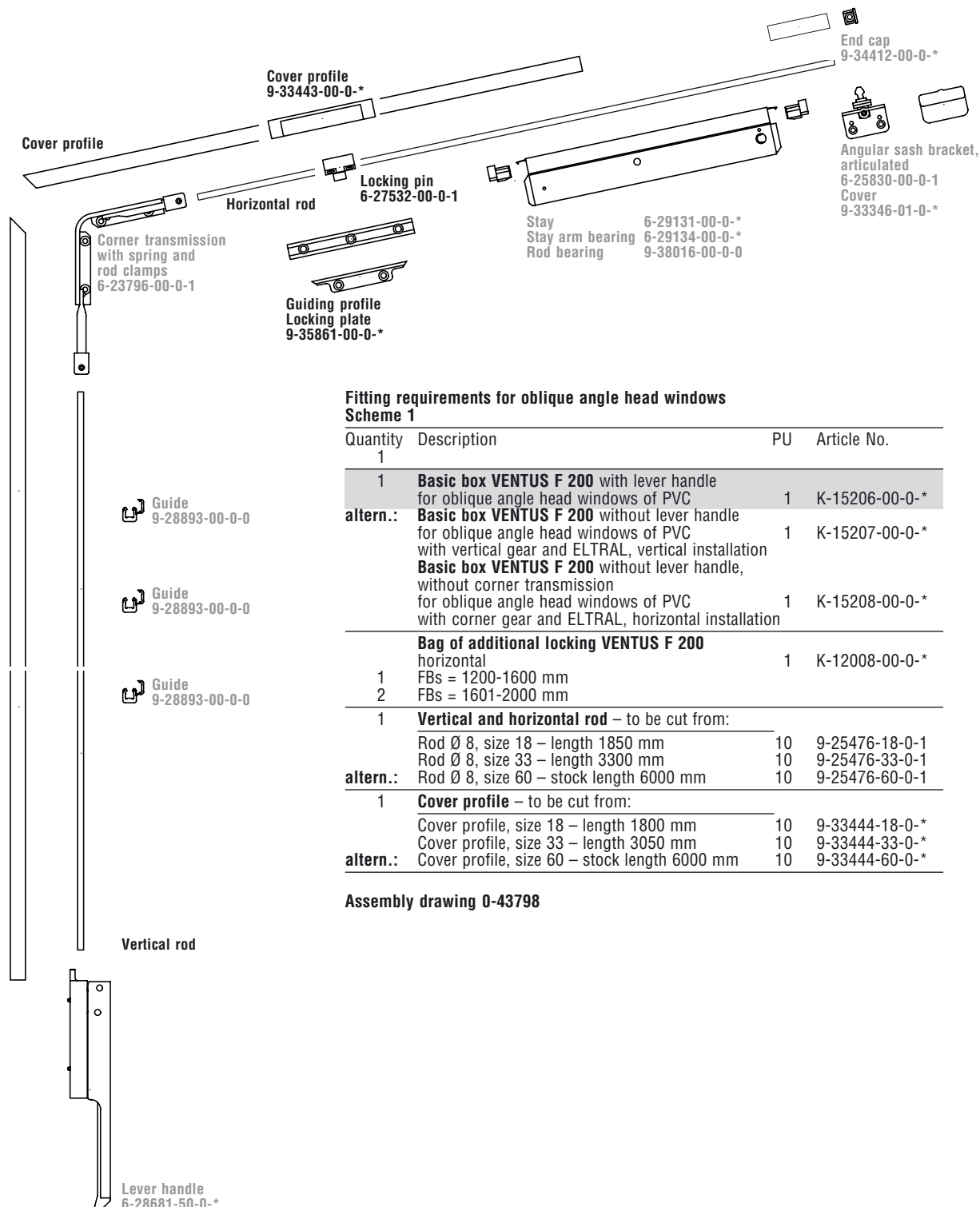
| Quantity 2n | Description | PU | Article No. |
|-----------------|---|-------------|--|
| 1 | Lever handle VENTUS F 200 Stroke 50 mm | 1 | 6-28681-50-0-* |
| 2 | Bag of stay VENTUS F 200, short without sash bracket | 1 | K-15483-00-0-* |
| 2 | Box of sash bracket VENTUS F 200 Angular sash bracket, articulated | 1 | K-15507-00-0-* |
| 1 | Additional box VENTUS F 200 Arch and segmental arch head windows | 1 | K-15484-00-0-* |
| 1 | Additional box VENTUS F 200/2n Arch and segmental arch head windows | 1 | K-15485-00-0-* |
| 1 | Flexible transmission lever handle – stay FB 1300-2100 = length 1000 mm FB 2101-2400 = length 1300 mm | 1 1 | 6-29495-10-0-* 6-29495-13-0-* |
| 1 | Flexible transmission stay – stay FB 1300-1700 = length 400 mm FB 1701-1900 = length 700 mm FB 1901-2400 = length 1000 mm | 1 1 1 | 6-29495-04-0-* 6-29495-07-0-* 6-29495-10-0-* |
| 1 | Vertical rod – to be cut from: | | |
| | Rod Ø 8, size 06 – length 600 mm | 10 | 9-25476-06-0-1 |
| | Rod Ø 8, size 18 – length 1850 mm | 10 | 9-25476-18-0-1 |
| | Rod Ø 8, size 33 – length 3300 mm | 10 | 9-25476-33-0-1 |
| altern.: | Rod Ø 8, size 60 – stock length 6000 mm | 10 | 9-25476-60-0-1 |
| 1 | Cover profile – to be cut from: | | |
| | Cover profile, size 06 – length 800 mm | 10 | 9-33444-06-0-* |
| | Cover profile, size 18 – length 1800 mm | 10 | 9-33444-18-0-* |
| | Cover profile, size 33 – length 3050 mm | 10 | 9-33444-33-0-* |
| altern.: | Cover profile, size 60 – stock length 6000 mm | 10 | 9-33444-60-0-* |

Fitting requirements for segmental arch head windows, scheme 2n

| Quantity 2n | Description | PU | Article No. |
|-----------------|--|------------------|--|
| 1 | Lever handle VENTUS F 200 Stroke 50 mm | 1 | 6-28681-50-0-* |
| 2 | Bag of stay VENTUS F 200, short without sash bracket | 1 | K-15483-00-0-* |
| 2 | Box of sash bracket VENTUS F 200 Angular sash bracket, articulated | 1 | K-15507-00-0-* |
| 1 | Additional box VENTUS F 200 Arch and segmental arch head windows | 1 | K-15484-00-0-* |
| 1 | Additional box VENTUS F 200/2n Arch and segmental arch head windows | 1 | K-15485-00-0-* |
| 1 | Flexible transmission lever handle – stay FB 1200-2400 = length 700 mm | 1 | 6-29495-07-0-* |
| 1 | Flexible transmission stay – stay FB 1200-1500 = length 400 mm FB 1501-1800 = length 700 mm FB 1801-2100 = length 1000 mm FB 2101-2400 = length 1300 mm | 1 1 1 1 | 6-29495-04-0-* 6-29495-07-0-* 6-29495-10-0-* 6-29495-13-0-* |
| 1 | Vertical rod – to be cut from: | | |
| | Rod Ø 8, size 06 – length 600 mm | 10 | 9-25476-06-0-1 |
| | Rod Ø 8, size 18 – length 1850 mm | 10 | 9-25476-18-0-1 |
| | Rod Ø 8, size 33 – length 3300 mm | 10 | 9-25476-33-0-1 |
| altern.: | Rod Ø 8, size 60 – stock length 6000 mm | 10 | 9-25476-60-0-1 |
| 1 | Cover profile – to be cut from: | | |
| | Cover profile, size 06 – length 800 mm | 10 | 9-33444-06-0-* |
| | Cover profile, size 18 – length 1800 mm | 10 | 9-33444-18-0-* |
| | Cover profile, size 33 – length 3050 mm | 10 | 9-33444-33-0-* |
| altern.: | Cover profile, size 60 – stock length 6000 mm | 10 | 9-33444-60-0-* |

Assembly drawing 0-43952

Standard version
Oblique angle head windows



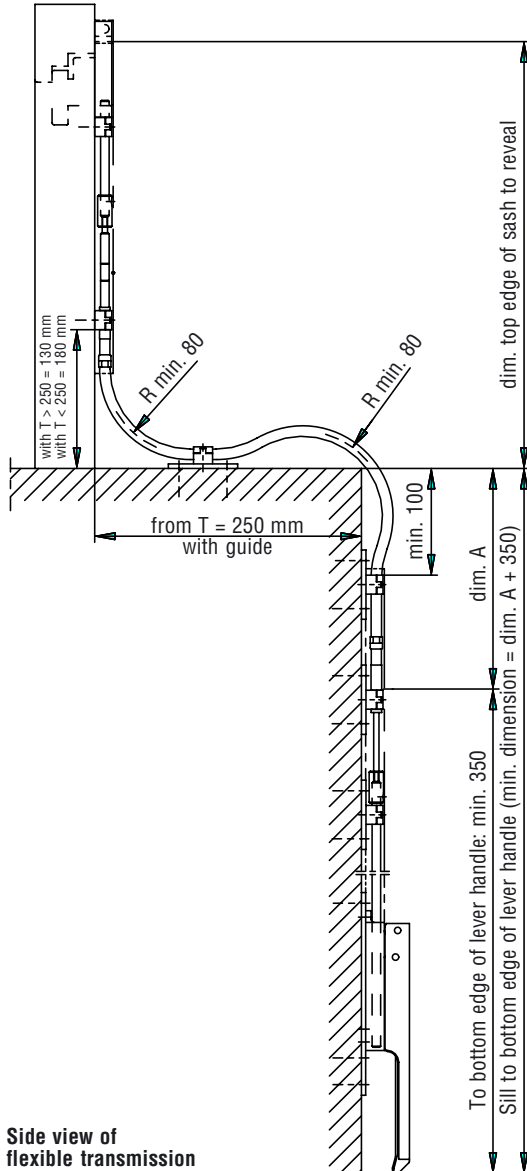
Fitting requirements for oblique angle head windows Scheme 1

| Quantity | Description | PU | Article No. |
|-----------------|--|----|----------------|
| 1 | Basic box VENTUS F 200 with lever handle for oblique angle head windows of PVC | 1 | K-15206-00-0-* |
| altern.: | Basic box VENTUS F 200 without lever handle for oblique angle head windows of PVC with vertical gear and ELTRAL, vertical installation | 1 | K-15207-00-0-* |
| | Basic box VENTUS F 200 without lever handle, without corner transmission for oblique angle head windows of PVC with corner gear and ELTRAL, horizontal installation | 1 | K-15208-00-0-* |
| | Bag of additional locking VENTUS F 200 horizontal | 1 | K-12008-00-0-* |
| 1 | FBs = 1200-1600 mm | | |
| 2 | FBs = 1601-2000 mm | | |
| 1 | Vertical and horizontal rod – to be cut from: | | |
| | Rod Ø 8, size 18 – length 1850 mm | 10 | 9-25476-18-0-1 |
| | Rod Ø 8, size 33 – length 3300 mm | 10 | 9-25476-33-0-1 |
| altern.: | Rod Ø 8, size 60 – stock length 6000 mm | 10 | 9-25476-60-0-1 |
| 1 | Cover profile – to be cut from: | | |
| | Cover profile, size 18 – length 1800 mm | 10 | 9-33444-18-0-* |
| | Cover profile, size 33 – length 3050 mm | 10 | 9-33444-33-0-* |
| altern.: | Cover profile, size 60 – stock length 6000 mm | 10 | 9-33444-60-0-* |

Assembly drawing 0-43798

Flexible transmission, special versions

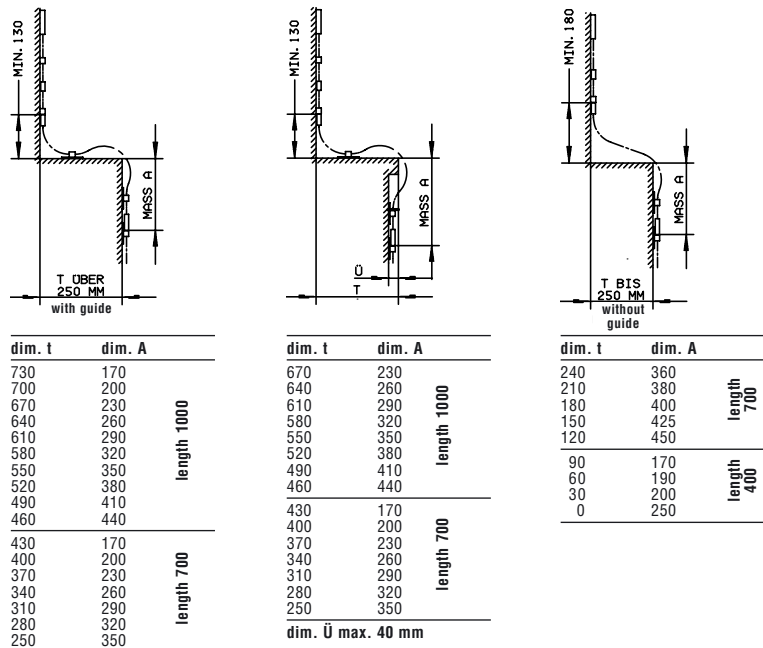
Flexible transmission



Side view of flexible transmission

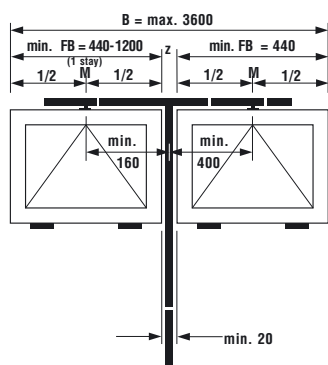
Fitting requirements for flexible transmission

| Quantity | Description | PU | Article No. |
|----------|--|----|---------------|
| 1 | Additional box of flexible transmission | 1 | K-14312-00-0* |
| 1 | Flexible transmission | | |
| | Size 02, length 200 mm | 1 | 6-29495-02-0* |
| | Size 04, length 400 mm | 1 | 6-29495-04-0* |
| | Size 07, length 700 mm | 1 | 6-29495-07-0* |
| | Size 10, length 1000 mm | 1 | 6-29495-10-0* |
| | Size 13, length 1300 mm | 1 | 6-29495-13-0* |
| | Size 20, length 2000 mm | 1 | 6-29495-20-0* |

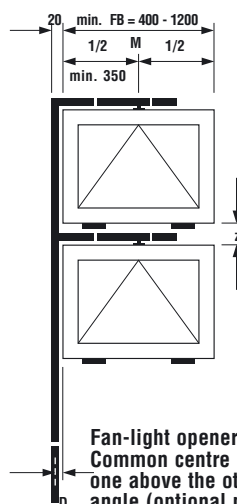


Minimum dimensions depending on depth of reveal

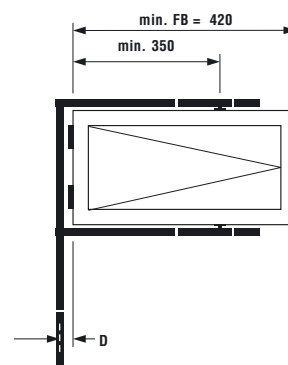
Special versions



Fan-light opener VENTUS F 200
Common centre operation of 2 side by side sashes, type 2n with T angle (optional part)

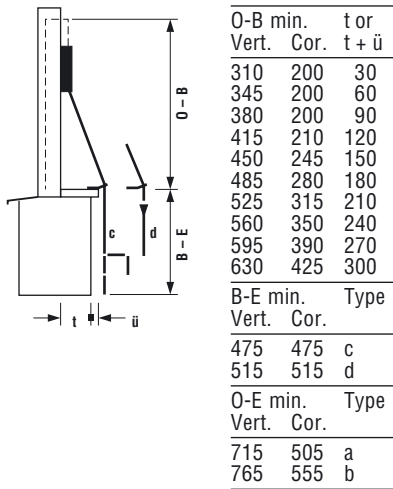


Fan-light opener VENTUS F 200
Common centre operation of 2 sashes one above the other, type 2ü with T angle (optional part)

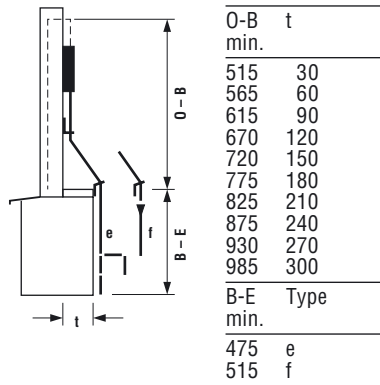


Fan-light opener VENTUS F 200
Side hung sash with T angle (optional part)

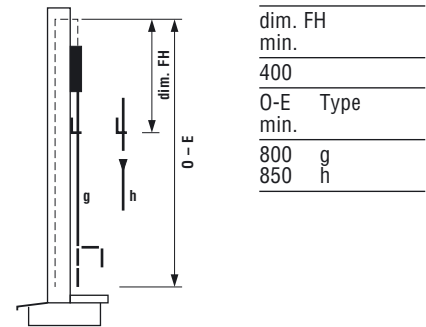
Standard version, minimum dimensions



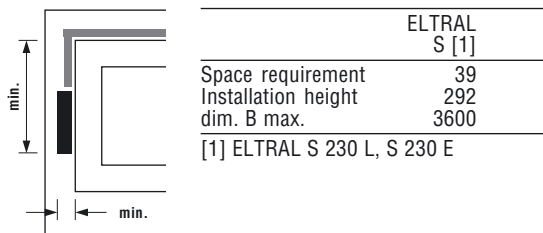
Vertical and corner gears
Types a, b, c and d



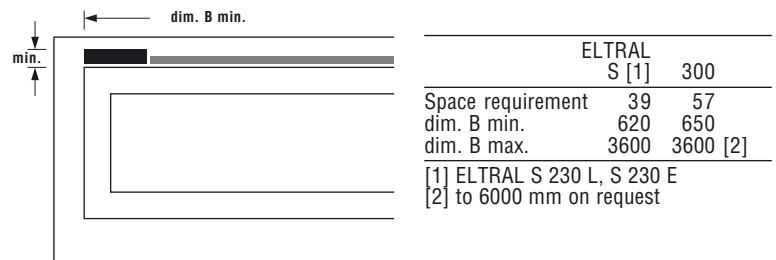
Vertical gear
Types e and f



Vertical gear
Types g and h

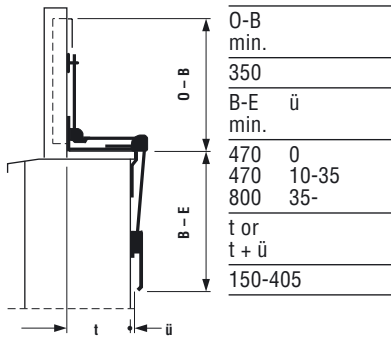


ELTRAL, vertical installation on the side



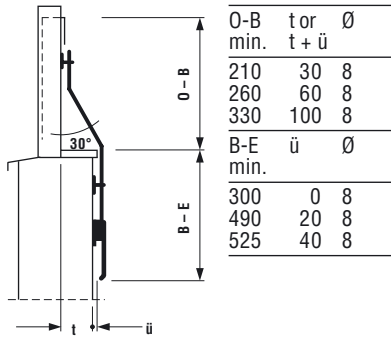
ELTRAL horizontal installation at the top

Rods cut to measure, minimum dimensions



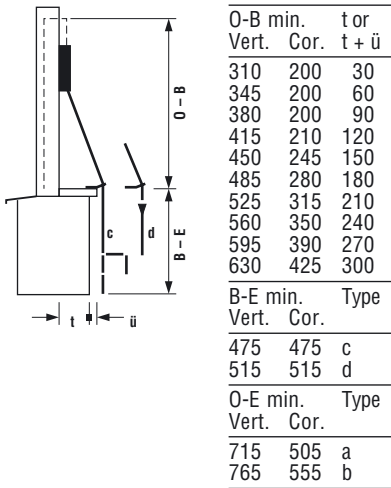
| | | |
|---------|-------|--|
| O-B | min. | |
| 350 | | |
| B-E | ü | |
| min. | | |
| 470 | 0 | |
| 470 | 10-35 | |
| 800 | 35- | |
| t or | | |
| t + ü | | |
| 150-405 | | |

Bell-shaped corner transmission Ø 8
Lever handle on reveal, 90° or cranked

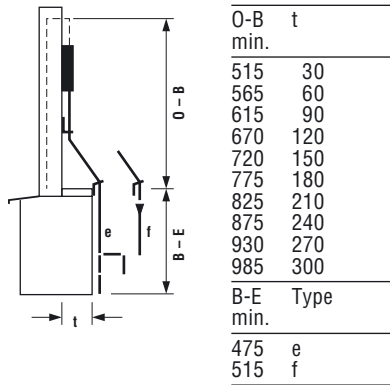


| | | |
|------|-------|---|
| O-B | t or | Ø |
| min. | t + ü | |
| 210 | 30 | 8 |
| 260 | 60 | 8 |
| 330 | 100 | 8 |
| B-E | ü Ø | |
| min. | | |
| 300 | 0 | 8 |
| 490 | 20 | 8 |
| 525 | 40 | 8 |

Rod transmission
Form A, Ø 8 mm
dim. t + ü max. 100 mm

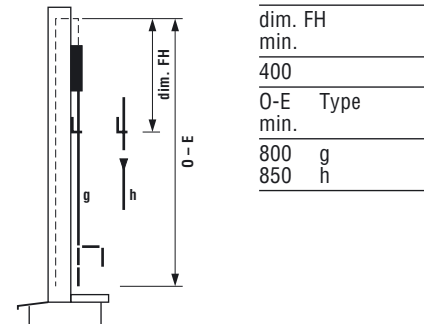


| | | |
|------------|-------|-----|
| O-B min. | t or | |
| Vert. Cor. | t + ü | |
| 310 | 200 | 30 |
| 345 | 200 | 60 |
| 380 | 200 | 90 |
| 415 | 210 | 120 |
| 450 | 245 | 150 |
| 485 | 280 | 180 |
| 525 | 315 | 210 |
| 560 | 350 | 240 |
| 595 | 390 | 270 |
| 630 | 425 | 300 |
| B-E min. | Type | |
| Vert. Cor. | | |
| 475 | 475 | c |
| 515 | 515 | d |
| O-E min. | Type | |
| Vert. Cor. | | |
| 715 | 505 | a |
| 765 | 555 | b |



| | |
|------|------|
| O-B | t |
| min. | |
| 515 | 30 |
| 565 | 60 |
| 615 | 90 |
| 670 | 120 |
| 720 | 150 |
| 775 | 180 |
| 825 | 210 |
| 875 | 240 |
| 930 | 270 |
| 985 | 300 |
| B-E | Type |
| min. | |
| 475 | e |
| 515 | f |

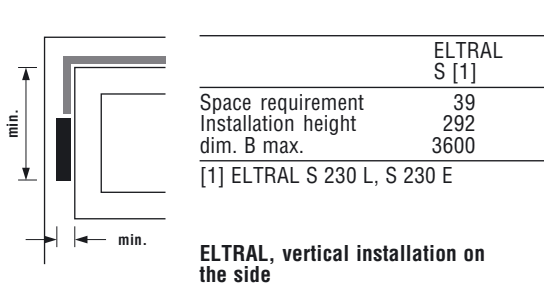
Vertical gear
Type e and f



| | |
|---------|------|
| dim. FH | |
| min. | |
| 400 | |
| O-E | Type |
| min. | |
| 800 | g |
| 850 | h |

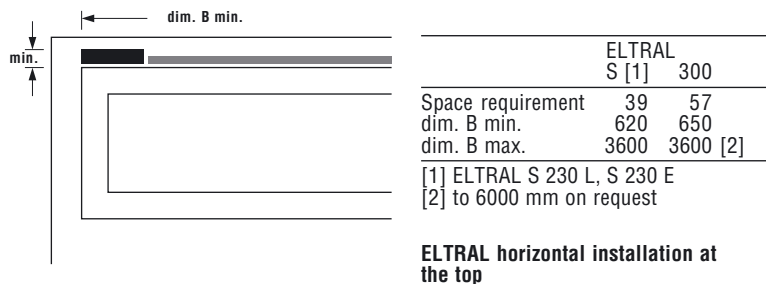
Vertical gear
Type g and h

Vertical and corner gears
Type a, b, c and d



| | |
|-----------------------------|--------------|
| | ELTRAL S [1] |
| Space requirement | 39 |
| Installation height | 292 |
| dim. B max. | 3600 |
| [1] ELTRAL S 230 L, S 230 E | |

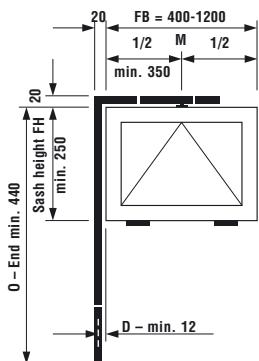
ELTRAL, vertical installation on the side



| | | |
|-----------------------------|--------------|----------|
| | ELTRAL S [1] | 300 |
| Space requirement | 39 | 57 |
| dim. B min. | 620 | 650 |
| dim. B max. | 3600 | 3600 [2] |
| [1] ELTRAL S 230 L, S 230 E | | |
| [2] to 6000 mm on request | | |

ELTRAL horizontal installation at the top

Fan-light opener VENTUS F 200 Lever handle

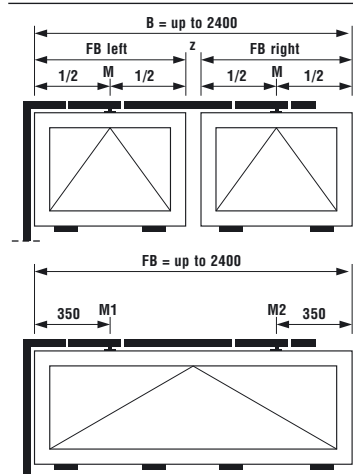


Scheme 1
Lever handle

Rod length depending on total sash width and dim. O-End

| O-End | Length of vertical rod | Total sash width dim. FB or B | | | |
|-------|------------------------|-------------------------------|------|------|------|
| | | 700 | 800 | 1000 | 1200 |
| | | Length of horizontal rod | | | |
| | | 365 | 415 | 515 | 615 |
| 1000 | 767 | 1132 | 1182 | 1282 | 1382 |
| 1100 | 867 | 1232 | 1282 | 1382 | 1482 |
| 1200 | 967 | 1332 | 1382 | 1482 | 1582 |
| 1300 | 1067 | 1432 | 1482 | 1582 | 1682 |
| 1400 | 1167 | 1532 | 1582 | 1682 | 1782 |
| 1500 | 1267 | 1632 | 1682 | 1782 | 1882 |
| 1600 | 1367 | 1732 | 1782 | 1882 | 1982 |
| 1700 | 1467 | 1832 | 1882 | 1982 | 2082 |
| 1800 | 1567 | 1932 | 1982 | 2082 | 2182 |
| 1900 | 1667 | 2032 | 2082 | 2182 | 2282 |
| 2000 | 1767 | 2132 | 2182 | 2282 | 2382 |

Rod and cover profile size 33 = grey, 60 = white

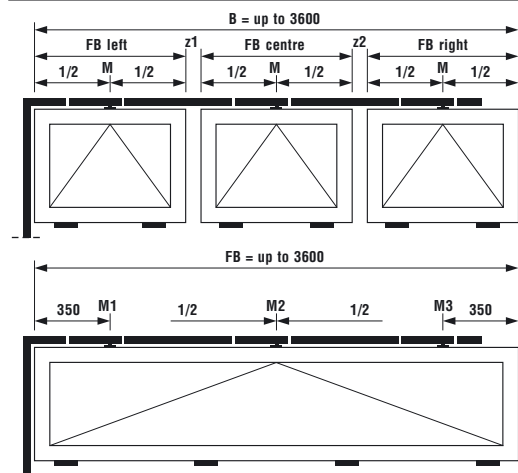


Scheme 2n

Rod length depending on total sash width and dim. O-End

| O-End | Length of vertical rod | Total sash width dim. FB or B | | | | | |
|-------|------------------------|-------------------------------|------|------|------|------|------|
| | | 1400 | 1600 | 1800 | 2000 | 2200 | 2400 |
| | | Length of horizontal rod | | | | | |
| | | 1065 | 1265 | 1465 | 1665 | 1865 | 2065 |
| 1000 | 767 | 1832 | 2032 | 2232 | 2432 | 2632 | 2832 |
| 1100 | 867 | 1932 | 2132 | 2332 | 2532 | 2732 | 2932 |
| 1200 | 967 | 2032 | 2232 | 2432 | 2632 | 2832 | 3032 |
| 1300 | 1067 | 2132 | 2332 | 2532 | 2732 | 2932 | 3132 |
| 1400 | 1167 | 2232 | 2432 | 2632 | 2832 | 3032 | 3232 |
| 1500 | 1267 | 2332 | 2532 | 2732 | 2932 | 3132 | 3332 |
| 1600 | 1367 | 2432 | 2632 | 2832 | 3032 | 3232 | 3432 |
| 1700 | 1467 | 2532 | 2732 | 2932 | 3132 | 3332 | 3532 |
| 1800 | 1567 | 2632 | 2832 | 3032 | 3232 | 3432 | 3632 |
| 1900 | 1667 | 2732 | 2932 | 3132 | 3332 | 3532 | 3732 |
| 2000 | 1767 | 2832 | 3032 | 3232 | 3432 | 3632 | 3832 |

Rod and cover profile size 33 = grey, 60 = white

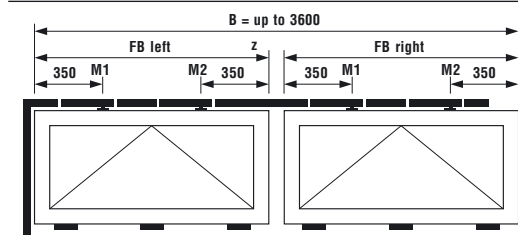


Scheme 3n

Rod length depending on total sash width and dim. O-End

| O-End | Length of vertical rod | Total sash width dim. FB or B | | | | | |
|-------|------------------------|-------------------------------|------|------|------|------|------|
| | | 2600 | 2800 | 3000 | 3200 | 3400 | 3600 |
| | | Length of horizontal rod | | | | | |
| | | 2265 | 2465 | 2665 | 2865 | 3065 | 3265 |
| 1000 | 767 | 3032 | 3232 | 3432 | 3632 | 3832 | 4032 |
| 1100 | 867 | 3132 | 3332 | 3532 | 3732 | 3932 | 4132 |
| 1200 | 967 | 3232 | 3432 | 3632 | 3832 | 4032 | 4232 |
| 1300 | 1067 | 3332 | 3532 | 3732 | 3932 | 4132 | 4332 |
| 1400 | 1167 | 3432 | 3632 | 3832 | 4032 | 4232 | 4432 |
| 1500 | 1267 | 3532 | 3732 | 3932 | 4132 | 4332 | 4532 |
| 1600 | 1367 | 3632 | 3832 | 4032 | 4232 | 4432 | 4632 |
| 1700 | 1467 | 3732 | 3932 | 4132 | 4332 | 4532 | 4732 |
| 1800 | 1567 | 3832 | 4032 | 4232 | 4432 | 4632 | 4832 |
| 1900 | 1667 | 3932 | 4132 | 4332 | 4532 | 4732 | 4932 |
| 2000 | 1767 | 4032 | 4232 | 4432 | 4632 | 4832 | 5032 |

Rod and cover profile size 33 = grey, 60 = white



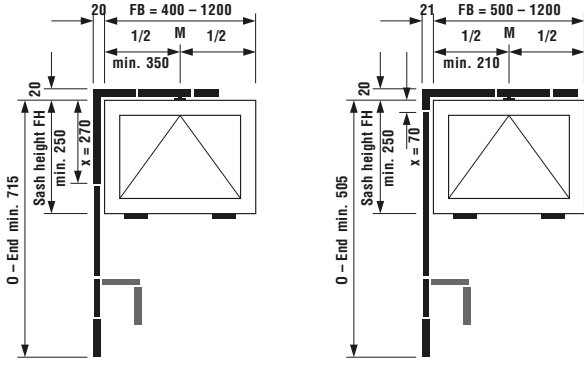
Scheme 4n

Rod length depending on total sash width and dim. O-End

| O-End | Length of vertical rod | Total sash width dim. FB or B | | | | | |
|-------|------------------------|-------------------------------|------|------|------|------|------|
| | | 2600 | 2800 | 3000 | 3200 | 3400 | 3600 |
| | | Length of horizontal rod | | | | | |
| | | 2265 | 2465 | 2665 | 2865 | 3065 | 3265 |
| 1000 | 767 | 3032 | 3232 | 3432 | 3632 | 3832 | 4032 |
| 1100 | 867 | 3132 | 3332 | 3532 | 3732 | 3932 | 4132 |
| 1200 | 967 | 3232 | 3432 | 3632 | 3832 | 4032 | 4232 |
| 1300 | 1067 | 3332 | 3532 | 3732 | 3932 | 4132 | 4332 |
| 1400 | 1167 | 3432 | 3632 | 3832 | 4032 | 4232 | 4432 |
| 1500 | 1267 | 3532 | 3732 | 3932 | 4132 | 4332 | 4532 |
| 1600 | 1367 | 3632 | 3832 | 4032 | 4232 | 4432 | 4632 |
| 1700 | 1467 | 3732 | 3932 | 4132 | 4332 | 4532 | 4732 |
| 1800 | 1567 | 3832 | 4032 | 4232 | 4432 | 4632 | 4832 |
| 1900 | 1667 | 3932 | 4132 | 4332 | 4532 | 4732 | 4932 |
| 2000 | 1767 | 4032 | 4232 | 4432 | 4632 | 4832 | 5032 |

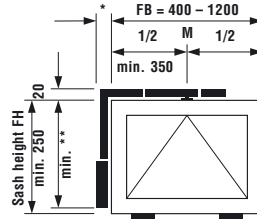
Rod and cover profile size 33 = grey, 60 = white

Fan-light opener VENTUS F 200 Vertical and corner gears, ELTRAL – vertical and horizontal installation



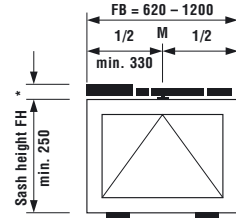
Scheme 1
Vertical gear

Scheme 1
Corner gear



Scheme 1
ELTRAL vertical, min. dimensions

| | ELTRAL S [1] |
|--------|--------------|
| * | 39 |
| ** | 292 |
| B max. | 3600 |



Scheme 1
ELTRAL horizontal, min. dimensions

| | ELTRAL S [1] | 300 |
|--------|--------------|------|
| * | 39 | 57 |
| B min. | 620 | 650 |
| B max. | 3600 | 3600 |

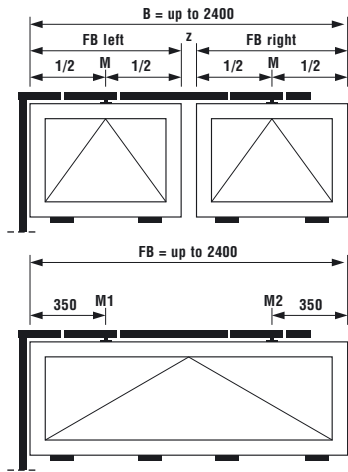
Length of horizontal rod depending on total sash width

| Drive | Total sash width dim. FB or B | | | |
|---------------|-------------------------------|-----|------|------|
| | 700 | 800 | 1000 | 1200 |
| Vertical gear | 365 | 415 | 515 | 615 |
| Corner gear | 486 | 536 | 636 | 736 |

Length of horizontal rod depending on total sash width

| Drive | Total sash width dim. FB or B | | | |
|-------------------------|-------------------------------|-----|------|------|
| | 700 | 800 | 1000 | 1200 |
| ELTRAL S vertical [1] | 530 | 580 | 680 | 780 |
| ELTRAL S horizontal [1] | 372 | 422 | 522 | 622 |
| ELTRAL 300 horizontal | 327 | 377 | 477 | 577 |

[1] ELTRAL S 230 L, S 230 E

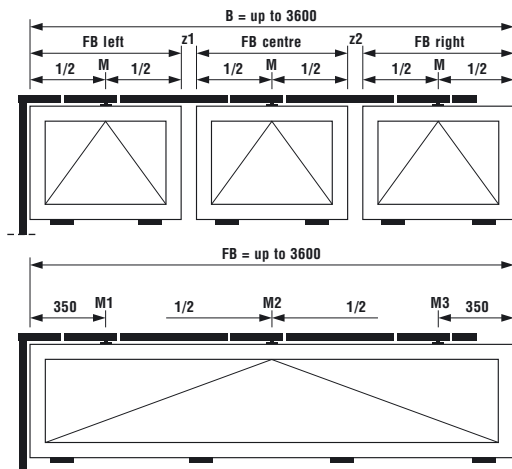


Scheme 2n

Length of horizontal rod depending on total sash width

| Drive | Total sash width dim. FB or B | | | | | |
|-------------------------|-------------------------------|------|------|------|------|------|
| | 1400 | 1600 | 1800 | 2000 | 2200 | 2400 |
| Vertical gear | 1065 | 1265 | 1465 | 1665 | 1865 | 2065 |
| Corner gear | 1186 | 1386 | 1586 | 1786 | 1986 | 2186 |
| ELTRAL S vertical [1] | 1065 | 1265 | 1465 | 1665 | 1865 | 2065 |
| ELTRAL S horizontal [1] | 1072 | 1272 | 1472 | 1672 | 1872 | 2072 |
| ELTRAL 300 horizontal | 1027 | 1227 | 1427 | 1627 | 1827 | 2027 |

[1] ELTRAL S 230 L, S 230 E

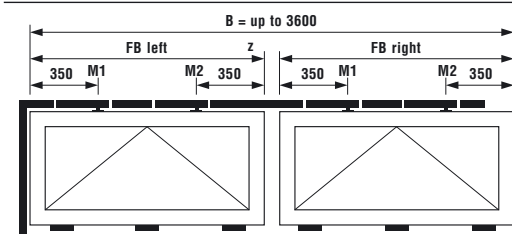


Scheme 3n

Length of horizontal rod depending on total sash width

| Drive | Total sash width dim. FB or B | | | | | |
|-------------------------|-------------------------------|------|------|------|------|------|
| | 2600 | 2800 | 3000 | 3200 | 3400 | 3600 |
| Vertical gear | 2265 | 2465 | 2665 | 2865 | 3065 | 3265 |
| Corner gear | 2386 | 2586 | 2786 | 2986 | 3186 | 3386 |
| ELTRAL S vertical [1] | 2265 | 2465 | 2665 | 2865 | 3065 | 3265 |
| ELTRAL S horizontal [1] | 2272 | 2472 | 2672 | 2872 | 3072 | 3272 |
| ELTRAL 300 horizontal | 2227 | 2427 | 2627 | 2827 | 3027 | 3227 |

[1] ELTRAL S 230 L, S 230 E



Scheme 4n

Length of horizontal rod depending on total sash width

| Drive | Total sash width dim. FB or B | | | | | |
|-------------------------|-------------------------------|------|------|------|------|------|
| | 2600 | 2800 | 3000 | 3200 | 3400 | 3600 |
| Vertical gear | 2265 | 2465 | 2665 | 2865 | 3065 | 3265 |
| Corner gear | 2386 | 2586 | 2786 | 2986 | 3186 | 3386 |
| ELTRAL S vertical [1] | 2265 | 2465 | 2665 | 2865 | 3065 | 3265 |
| ELTRAL S horizontal [1] | 2272 | 2472 | 2672 | 2872 | 3072 | 3272 |
| ELTRAL 300 horizontal | 2227 | 2427 | 2627 | 2827 | 3027 | 3227 |

[1] ELTRAL S 230 L, S 230 E

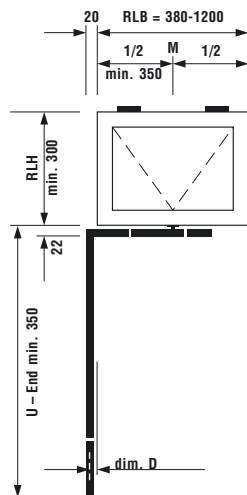
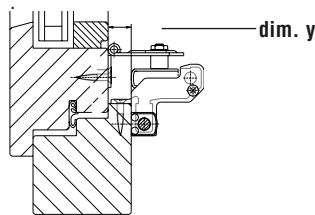
Top hung outward opening sashes Standard version – lever handle and transmissions

Corner cover 9-34220-00-0-*
Cover profile
Horizontal rod
Chain with rod clamps 6-29313-00-0-1
Corner transmission 9-38261-00-0-0
Stay 1 – 6-29484-00-L-*
 dim. y = 14-75
Stay 2 – 6-29485-00-L-*
 dim. y = 0-13
Guide 9-28893-00-0-0
Sash bracket 6-27782-25-0-*
 dim. y = 5-25
Sash bracket 6-27782-50-0-*
 dim. y = 26-50
Sash bracket 6-27782-75-0-*
 dim. y = 51-75
Vertical rod
Lever handle 6-28681-50-0-*

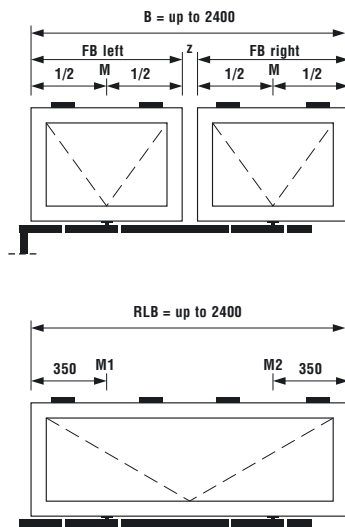
Fitting requirements for openers with lever handle according to quantity of stays for schemes 1 to 3n

| Quantity | 1 | 2n | 3n | Description | PU | Article No. |
|----------|---|----|----|---|----|----------------|
| 1 | 1 | 1 | | Basic box VENTUS F 200 top hung outward opening sash with lever handle | | |
| | | | | dim. y = 0- 4 mm [1] | 1 | K-15168-00-L-* |
| | | | | dim. y = 5-13 mm [1] | 1 | K-15165-00-L-* |
| | | | | dim. y = 14-25 mm [1] | 1 | K-15164-25-L-* |
| | | | | dim. y = 26-50 mm [1] | 1 | K-15164-50-L-* |
| | | | | dim. y = 51-75 mm [1] | 1 | K-15164-75-L-* |
| | | 1 | 2 | Bag of stay VENTUS F 200 top hung outward opening sash | | |
| | | | | dim. y = 0- 4 mm [1] | 1 | K-15169-00-L-* |
| | | | | dim. y = 5-13 mm [1] | 1 | K-15167-00-L-* |
| | | | | dim. y = 14-25 mm [1] | 1 | K-15166-25-L-* |
| | | | | dim. y = 26-50 mm [1] | 1 | K-15166-50-L-* |
| | | | | dim. y = 51-75 mm [1] | 1 | K-15166-75-L-* |
| 1 | 1 | 1 | | Vertical and horizontal rod – to be cut from: | | |
| | | | | Rod Ø 8, size 18 – length 1850 mm | 10 | 9-25476-18-0-1 |
| | | | | Rod Ø 8, size 33 – length 3300 mm | 10 | 9-25476-33-0-1 |
| | | | | Rod Ø 8, size 60 – stock length 6000 mm | 10 | 9-25476-60-0-1 |
| 1 | 1 | 1 | | Cover profile – to be cut from: | | |
| | | | | Cover profile, size 18 – length 1800 mm | 10 | 9-33444-18-0-* |
| | | | | Cover profile, size 33 – length 3050 mm | 10 | 9-33444-33-0-* |
| | | | | Cover profile, size 60 – stock length 6000 mm | 10 | 9-33444-60-0-* |

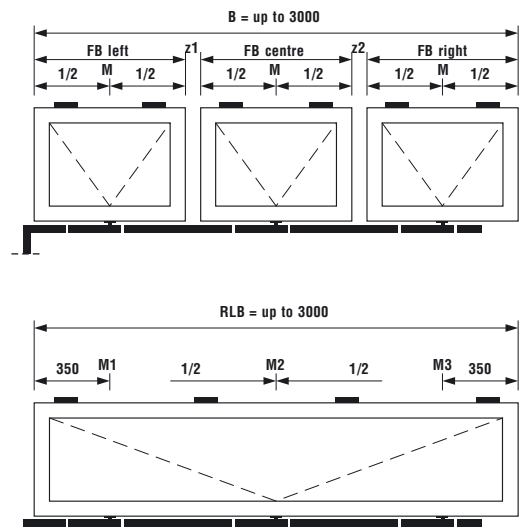
[1] = can be changed from lh to rh – Assembly drawing 0-43818.



Scheme 1
Lever handle

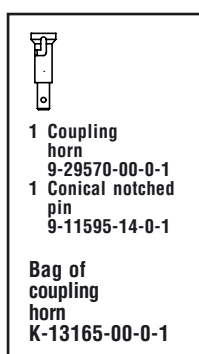
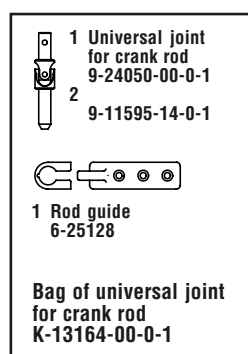
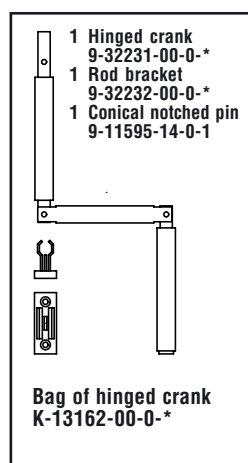
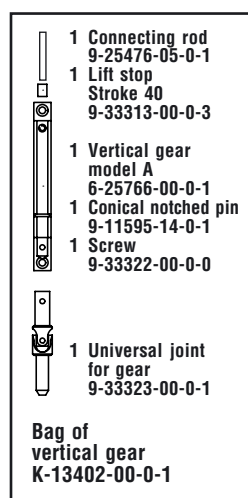
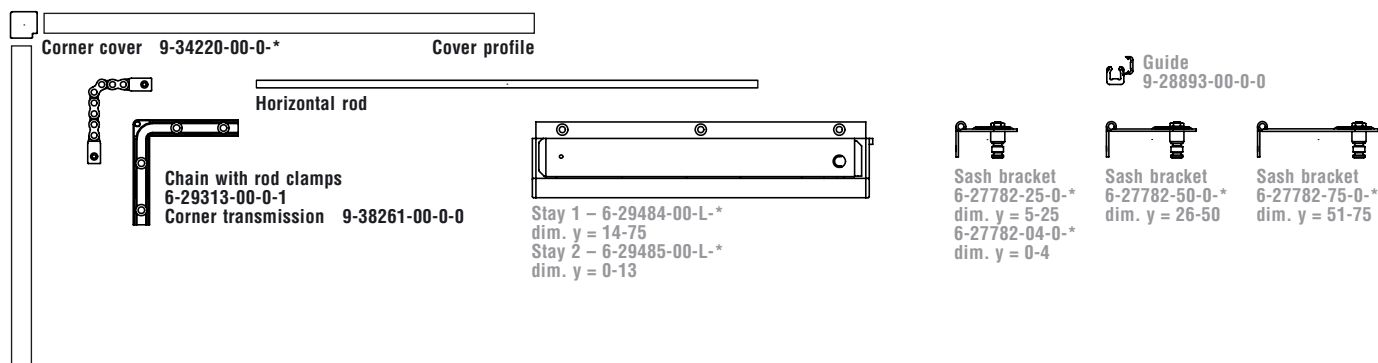


Scheme 2n



Scheme 3n

Top hung outward opening sashes Standard version – vertical gear



Fitting requirements for openers with vertical gear according to quantity of stays for schemes 1 to 3n

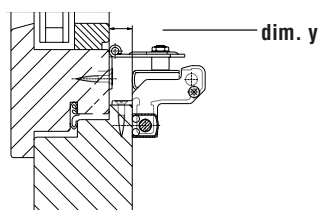
| Quantity | Description | PU | Article No. |
|-----------------------|-------------|----|---|
| 1 | 2n | 3n | |
| 1 | 2 | 3 | Bag of stay VENTUS F 200 top hung outward opening sash |
| | | | dim. y = 0- 4 mm [1] |
| | | | dim. y = 5-13 mm [1] |
| | | | dim. y = 14-25 mm [1] |
| | | | dim. y = 26-50 mm [1] |
| | | | dim. y = 51-75 mm [1] |
| 1 | 1 | 1 | Chain with rod clamps |
| 1 | 1 | 1 | Corner transmission |
| 1 | 1 | 1 | Corner cover |
| 1 | 1 | 1 | Horizontal rod – to be cut from: |
| | | | Rod Ø 8, size 06 – length 600 mm |
| | | | Rod Ø 8, size 18 – length 1850 mm |
| | | | Rod Ø 8, size 33 – length 3300 mm |
| | | | Rod Ø 8, size 60 – stock length 6000 mm |
| alternatively: | | | |
| 1 | 1 | 1 | Cover profile – to be cut from: |
| | | | Cover profile, size 06 – length 800 mm |
| | | | Cover profile, size 18 – length 1800 mm |
| | | | Cover profile, size 33 – length 3050 mm |
| | | | Cover profile, size 60 – stock length 6000 mm |
| alternatively: | | | |
| 1 | 1 | 1 | Bag of vertical gear, model A |

[1] = can be changed from lh to rh

Fitting requirements for articulated crank rod and accessories according to types a to h for vertical and corner gears

| Type | Description | PU | Article No. | | | | | | | |
|------|-------------|----|-------------|---|---|---|---|--|---|----------------|
| a | b | c | d | e | f | g | h | | | |
| 1 | 1 | 1 | 1 | 1 | 1 | 1 | 1 | Crank rod (not illustrated) – to be cut from: aluminium tube, stock length 5000 mm | 1 | 9-32230-50-0-* |
| 1 | 1 | 1 | 1 | 1 | 1 | 1 | 1 | Bag of hinged crank | 1 | K-13162-00-0-* |
| | | 1 | 1 | 2 | 2 | 1 | 1 | Bag of universal joint for crank rod | 1 | K-13164-00-0-1 |
| 1 | 1 | 1 | 1 | 1 | 1 | 1 | 1 | Bag of coupling horn | 1 | K-13165-00-0-1 |

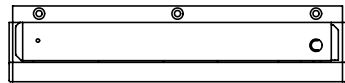
Assembly drawing 0-43818



Top hung outward opening sashes Standard version – corner gear

Cover profile

Horizontal rod



Stay 1 – 6-29484-00-L-*
dim. y = 14-75
Stay 2 – 6-29485-00-L-*
dim. y = 0-13

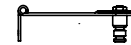
Guide
9-28893-00-0-0



Sash bracket
6-27782-25-0-*
dim. y = 5-25
6-27782-04-0-*
dim. y = 0-4



Sash bracket
6-27782-50-0-*
dim. y = 26-50



Sash bracket
6-27782-75-0-*
dim. y = 51-75

1 Connecting rod
9-25476-05-0-1
1 Lift stop
Stroke 40
9-33313-00-0-3

1 Vertical gear
model A
6-25766-00-0-1
1 Conical notched pin
9-11595-14-0-1
1 Screw
9-33322-00-0-0

1 Universal joint
for gear
9-33323-00-0-1

**Bag of
vertical gear
K-13402-00-0-1**

Fitting requirements for openers with corner gear according to quantity of stays for schemes 1 to 3n

| Quantity | Description | PU | Article No. |
|----------|---|----|----------------|
| 1 2n 3n | | | |
| 1 2 3 | Bag of stay VENTUS F 200 top hung outward opening sash | | |
| | dim. y = 0- 4 mm [1] | 1 | K-15169-00-L-* |
| | dim. y = 5-13 mm [1] | 1 | K-15167-00-L-* |
| | dim. y = 14-25 mm [1] | 1 | K-15166-25-L-* |
| | dim. y = 26-50 mm [1] | 1 | K-15166-50-L-* |
| | dim. y = 51-75 mm [1] | 1 | K-15166-75-L-* |
| 1 1 1 | Horizontal rod – to be cut from: | | |
| | Rod Ø 8, size 06 – length 600 mm | 10 | 9-25476-06-0-1 |
| | Rod Ø 8, size 18 – length 1850 mm | 10 | 9-25476-18-0-1 |
| | Rod Ø 8, size 33 – length 3300 mm | 10 | 9-25476-33-0-1 |
| | Rod Ø 8, size 60 – stock length 6000 mm | 10 | 9-25476-60-0-1 |
| | alternatively: | | |
| 1 1 1 | Cover profile – to be cut from: | | |
| | Cover profile, size 06 – length 800 mm | 10 | 9-33444-06-0-* |
| | Cover profile, size 18 – length 1800 mm | 10 | 9-33444-18-0-* |
| | Cover profile, size 33 – length 3050 mm | 10 | 9-33444-33-0-* |
| | Cover profile, size 60 – stock length 6000 mm | 10 | 9-33444-60-0-* |
| | alternatively: | | |
| 1 1 1 | Bag of vertical gear, model A | 1 | K-13402-00-0-1 |
| 1 1 1 | Bag of additional parts for corner gear, model A | 1 | K-13403-00-0-* |

[1] = can be changed from lh to rh

1 Hinged crank
9-32231-00-0-*
1 Rod bracket
9-32232-00-0-*
1 Conical notched pin
9-11595-14-0-1

**Bag of hinged crank
K-13162-00-0-***

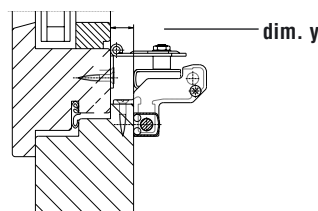
1 Cover
9-33337-00-0-*
1 Double
universal joint
9-33333-00-0-1
1 Bearing
9-33335
1 Screw
9-33322-00-0-0

**Bag of
corner gear
K-13403-00-0-***

Fitting requirements for articulated crank rod and accessories according to types a to h for articulated crank rod

| Type | Description | PU | Article No. |
|-----------------|---|----|----------------|
| a b c d e f g h | | | |
| 1 1 1 1 1 1 1 1 | Crank rod (not illustrated) – to be cut from: aluminium rod, stock length 5000 mm | 1 | 9-32230-50-0-* |
| 1 1 1 1 1 1 1 1 | Bag of hinged crank | 1 | K-13162-00-0-* |
| | Bag of universal joint for crank rod | 1 | K-13164-00-0-1 |
| 1 1 1 1 1 | Bag of coupling horn | 1 | K-13165-00-0-1 |

Assembly drawing 0-43818



1 Universal joint
for crank rod
9-24050-00-0-1
2 Conical notched pin
9-11595-14-0-1

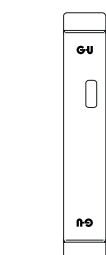
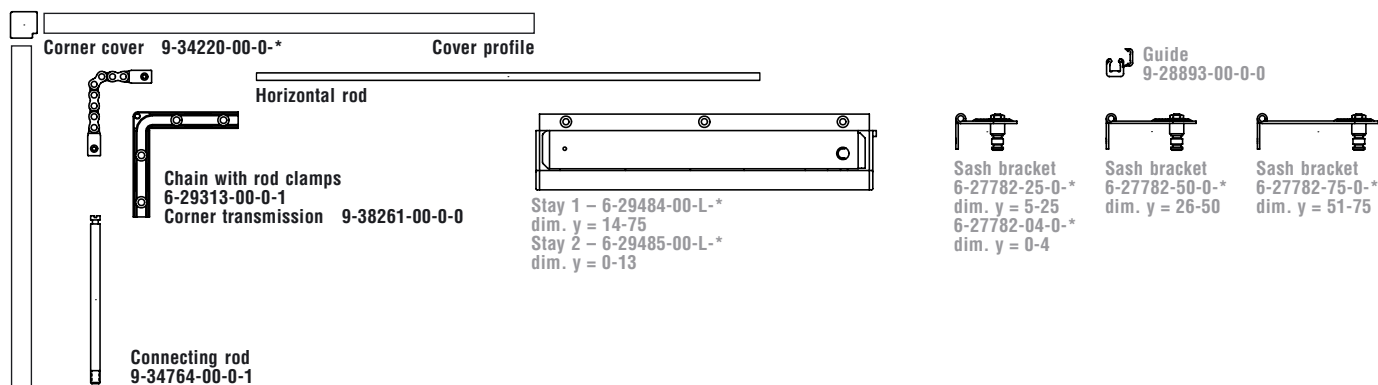
1 Rod guide
6-25128

**Bag of universal joint
for crank rod
K-13164-00-0-1**

1 Coupling
horn
9-29570-00-0-1
1 Conical notched
pin
9-11595-14-0-1

**Bag of
coupling
horn
K-13165-00-0-1**

Top hung outward opening sashes Standard version – ELTRAL, vertical installation on the side

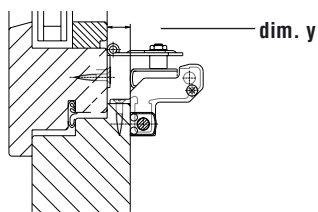


ELTRAL S 230 L, S 230 E

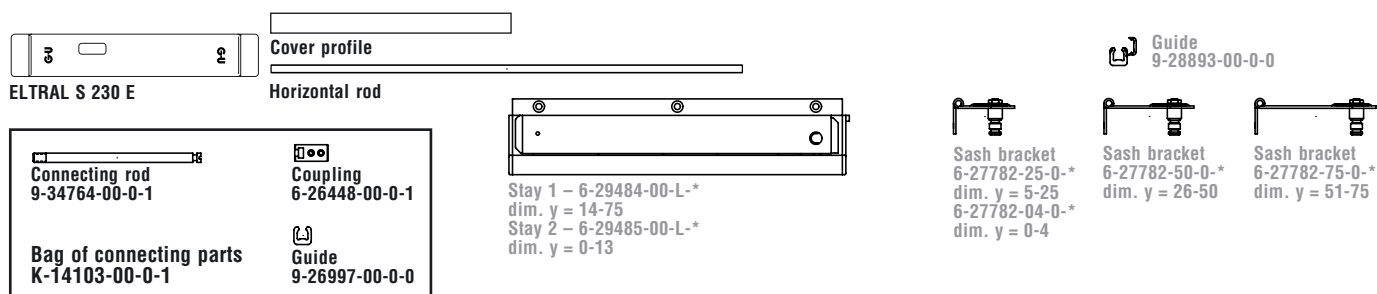
Fitting requirements for openers with ELTRAL for vertical installation for schemes 1 to 3n

| Quantity | | | Description | PU | Article No. |
|----------|----|----|---|-----|----------------|
| 1 | 2n | 3n | | | |
| 1 | 2 | 3 | Bag of stay VENTUS F 200 top hung outward opening sash | | |
| | | | dim. y = 0- 4 mm [1] | 1 | K-15169-00-L-* |
| | | | dim. y = 5-13 mm [1] | 1 | K-15167-00-L-* |
| | | | dim. y = 14-25 mm [1] | 1 | K-15166-25-L-* |
| | | | dim. y = 26-50 mm [1] | 1 | K-15166-50-L-* |
| | | | dim. y = 51-75 mm [1] | 1 | K-15166-75-L-* |
| 1 | 1 | 1 | Chain with rod clamps | 1 | 6-29313-00-0-1 |
| 1 | 1 | 1 | Corner transmission | 1 | 9-38261-00-0-0 |
| 1 | 1 | 1 | Corner cover | 100 | 9-34220-00-0-* |
| 1 | 1 | 1 | Horizontal rod – to be cut from: | | |
| | | | Rod Ø 8, size 06 – length 600 mm | 10 | 9-25476-06-0-1 |
| | | | Rod Ø 8, size 18 – length 1850 mm | 10 | 9-25476-18-0-1 |
| | | | Rod Ø 8, size 33 – length 3300 mm | 10 | 9-25476-33-0-1 |
| | | | Rod Ø 8, size 60 – stock length 6000 mm | 10 | 9-25476-60-0-1 |
| | | | alternatively: | | |
| 1 | 1 | 1 | Cover profile – to be cut from: | | |
| | | | Cover profile, size 06 – length 800 mm | 10 | 9-33444-06-0-* |
| | | | Cover profile, size 18 – length 1800 mm | 10 | 9-33444-18-0-* |
| | | | Cover profile, size 33 – length 3050 mm | 10 | 9-33444-33-0-* |
| | | | Cover profile, size 60 – stock length 6000 mm | 10 | 9-33444-60-0-* |
| | | | alternatively: | | |
| 1 | 1 | 1 | Electric drive ELTRAL S 230 L | 1 | 6-31730-00-0-* |
| | | | alternatively: | | |
| | | | Electric drive ELTRAL S 230 E | 1 | 6-31732-00-0-* |
| 1 | 1 | 1 | Connecting rod, Ø 8 mm, B = 400-3000 | 1 | 9-34764-00-0-1 |

[1] = can be changed from lh to rh – Assembly drawing 0-43831.



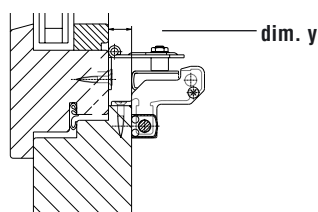
Top hung outward opening sashes
Standard version – ELTRAL, horizontal installation at the top



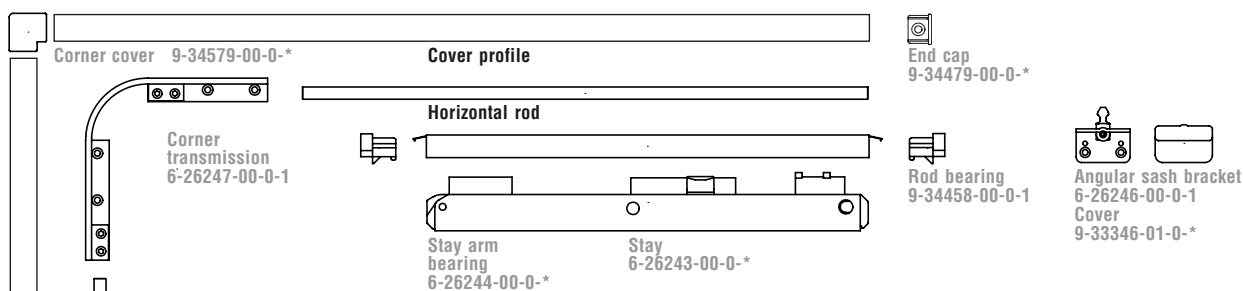
Fitting requirements for openers with ELTRAL for horizontal installation for schemes 1 to 3n

| Quantity | | | Description | PU | Article No. |
|----------|----|----|---|----|----------------|
| 1 | 2n | 3n | | | |
| 1 | 2 | 3 | Bag of stay VENTUS F 200 top hung outward opening sash | | |
| | | | dim. y = 0- 4 mm [1] | 1 | K-15169-00-L-* |
| | | | dim. y = 5-13 mm [1] | 1 | K-15167-00-L-* |
| | | | dim. y = 14-25 mm [1] | 1 | K-15166-25-L-* |
| | | | dim. y = 26-50 mm [1] | 1 | K-15166-50-L-* |
| | | | dim. y = 51-75 mm [1] | 1 | K-15166-75-L-* |
| 1 | 1 | 1 | Horizontal rod – to be cut from: | | |
| | | | Rod Ø 8, size 06 – length 600 mm | 10 | 9-25476-06-0-1 |
| | | | Rod Ø 8, size 18 – length 1850 mm | 10 | 9-25476-18-0-1 |
| | | | Rod Ø 8, size 33 – length 3300 mm | 10 | 9-25476-33-0-1 |
| | | | Rod Ø 8, size 60 – stock length 6000 mm | 10 | 9-25476-60-0-1 |
| | | | alternatively: | | |
| 1 | 1 | 1 | Cover profile – to be cut from: | | |
| | | | Cover profile, size 06 – length 800 mm | 10 | 9-33444-06-0-* |
| | | | Cover profile, size 18 – length 1800 mm | 10 | 9-33444-18-0-* |
| | | | Cover profile, size 33 – length 3050 mm | 10 | 9-33444-33-0-* |
| | | | Cover profile, size 60 – stock length 6000 mm | 10 | 9-33444-60-0-* |
| | | | alternatively: | | |
| 1 | 1 | 1 | Electric drive ELTRAL S 230 L | 1 | 6-31730-00-0-* |
| | | | alternatively: | | |
| | | | Electric drive ELTRAL S 230 E | 1 | 6-31732-00-0-* |
| 1 | 1 | 1 | Bag of connecting parts, B = 620-3000 | 1 | K-14103-00-0-1 |

[1] = can be changed from lh to rh – Assembly drawing 0-43831.



Standard version Lever handle and transmission



Fitting requirements for openers with lever handle according to quantity of stays for schemes 1 to 4n

| Quantity | 1 | 2n | 3n | 4n | Description | PU | Article No. |
|----------|---|----|----|----|---|----|----------------|
| 1 | 1 | 1 | 1 | 1 | Basic box VENTUS F 300 with lever handle with angular sash bracket [1] | 1 | K-13998-00-0-* |
| | | 1 | 2 | 3 | Box of stay VENTUS F 300 with angular sash bracket [1] | 1 | K-13999-00-0-* |
| 1 | 1 | 1 | 1 | 1 | Vertical and horizontal rod, Ø 10 mm | | |
| 1 | 1 | 1 | 1 | 1 | Cover profile for vertical and horizontal rod | | |
| | | | | | to be cut from: | | |
| | | | | | Bag of rod/cover profile | 1 | K-14001-18-0-* |
| | | | | | Rod length 1870 mm | 1 | K-14001-33-0-* |
| | | | | | Rod length 3500 mm | | |
| | | | | | alternatively: | | |
| | | | | | Rod, Ø 10 mm, stock length 6000 mm | 1 | 9-23055-60-0-1 |
| | | | | | Cover profile, stock length 6000 mm | 1 | 9-34497-60-0-* |

[1] Depending on the quality of the PVC profile, use shim 9-34509-00-0-1 respectively (see optional parts) – **Assembly drawing 0-42700.**

Fitting requirements for openers with transmission according to quantity of stays for schemes 1 to 4n

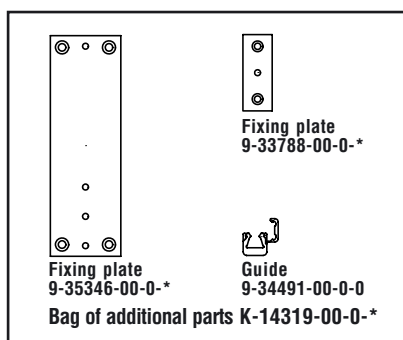
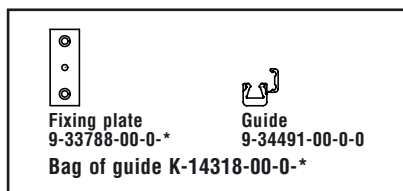
| Quantity | 1 | 2n | 3n | 4n | Description | PU | Article No. |
|----------|---|----|----|----|---|----|----------------|
| 1 | 1 | 1 | 1 | 1 | Basic box VENTUS F 300 with lever handle with angular sash bracket [1] | 1 | K-13998-00-0-* |
| | | 1 | 2 | 3 | Box of stay VENTUS F 300 with angular sash bracket [1] | 1 | K-13999-00-0-* |
| 1 | 1 | 1 | 1 | 1 | Bag of guide for Rod transmission 10 Crank of rod max. 130 mm | 1 | K-14318-00-0-* |
| 1 | 1 | 1 | 1 | 1 | Bag of additional parts for rod transmission 10 | 1 | K-14319-00-0-* |
| 1 | 1 | 1 | 1 | 1 | Vertical rod, Ø 10 mm | | |
| | | | | | to be cut from: | | |
| | | | | | Rod, Ø 10 mm, length 6000 mm | 1 | 9-23055-60-0-1 |
| 1 | 1 | 1 | 1 | 1 | Horizontal rod, Ø 10 mm | | |
| 1 | 1 | 1 | 1 | 1 | Cover profile for horizontal rod | | |
| | | | | | to be cut from | | |
| | | | | | Bag of rod/cover profile | 1 | K-14001-18-0-* |
| | | | | | Rod length 1870 mm | 1 | K-14001-33-0-* |
| | | | | | Rod length 3500 mm | | |
| | | | | | alternatively: | | |
| | | | | | Rod, Ø 10 mm, stock length 6000 mm | 1 | 9-23055-60-0-1 |
| | | | | | Cover profile, stock length 6000 mm | 1 | 9-34497-60-0-* |

[1] Depending on the quality of the PVC profile, use shim 9-34509-00-0-1 respectively (see optional parts) – **Assembly drawing 0-42700.**

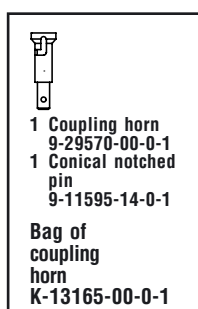
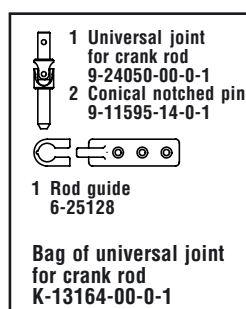
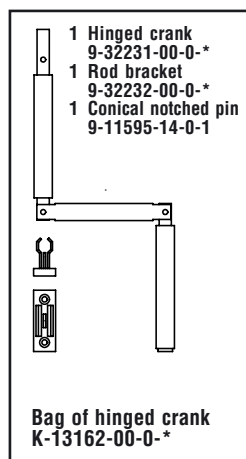
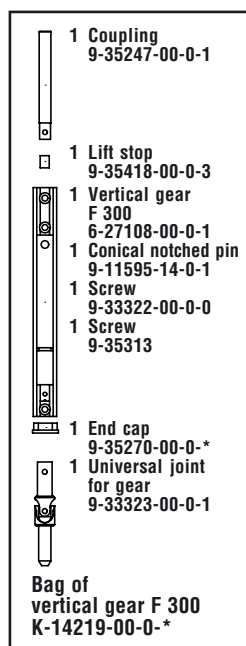
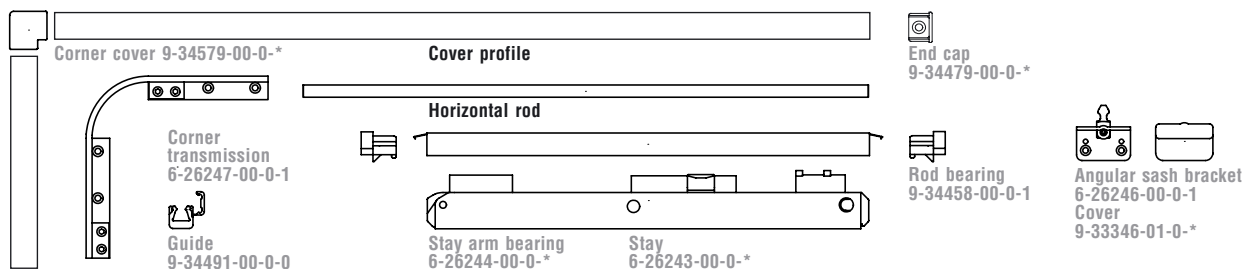
Vertical rod

Vertical rod

Vertical rod



Standard version Vertical gear



Fitting requirements for openers with vertical gear according to quantity of stays for schemes 1 to 4n

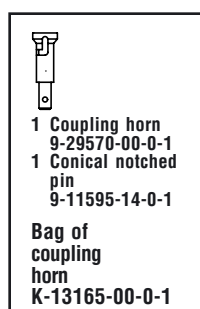
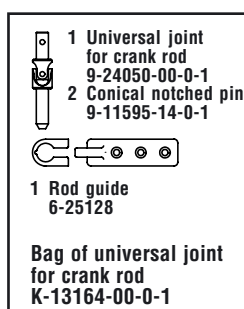
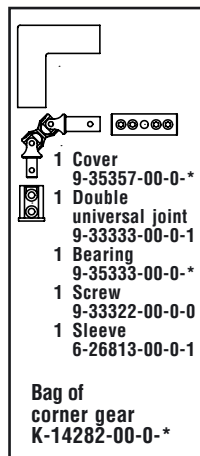
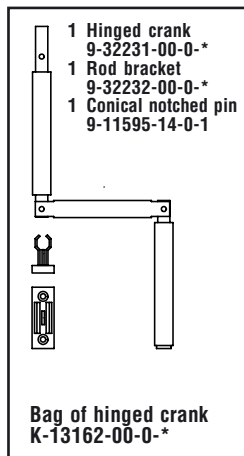
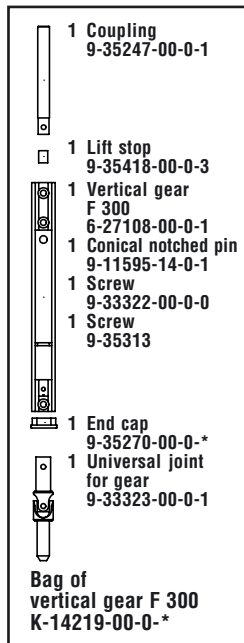
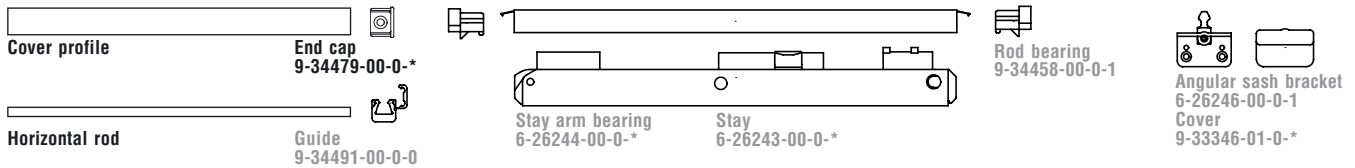
| Quantity | | | | Description | PU | Article No. |
|-----------------------|----|----|----|--|----|----------------|
| 1 | 2n | 3n | 4n | | | |
| 1 | 1 | 1 | 1 | Basic box VENTUS F 300 without lever handle with angular sash bracket [1] | 1 | K-14320-00-0-* |
| | 1 | 2 | 3 | Bag of stay VENTUS F 300 with angular sash bracket [1] | 1 | K-13999-00-0-* |
| 1 | 1 | 1 | 1 | Horizontal rod, Ø 10 mm | | |
| 1 | 1 | 1 | 1 | Cover profile für horizontal rod | | |
| | | | | To be cut from: | | |
| | | | | Bag of rod/Cover profile length 600 mm | 1 | K-14001-06-0-* |
| | | | | length 1870 mm | 1 | K-14001-18-0-* |
| | | | | length 3500 mm | 1 | K-14001-33-0-* |
| alternatively: | | | | Rod, Ø 10 mm, stock length 6000 mm | 1 | 9-23055-60-0-1 |
| | | | | Cover profile, stock length 6000 mm | 1 | 9-34497-60-0-* |
| 1 | 1 | 1 | 1 | Bag of vertical gear F 300 | 1 | K-14219-00-0-* |

[1] Depending on the quality of the PVC profile, use shim 9-34509-00-0-1 respectively (see optional parts) – **Assembly drawing 0-42700.**

Fitting requirements for articulated crank rod and accessories according to types a to h for vertical and corner gears

| Types | | | | | | | | Description | PU | Article No. |
|-------|---|---|---|---|---|---|---|---|----|----------------|
| a | b | c | d | e | f | g | h | | | |
| 1 | 1 | 1 | 1 | 1 | 1 | 1 | 1 | Crank rod – to be cut from: aluminium tube, stock length 5000 mm | 1 | 9-32230-50-0-* |
| 1 | 1 | 1 | 1 | 1 | 1 | 1 | 1 | Bag of hinged crank | 1 | K-13162-00-0-* |
| | | 1 | 1 | 2 | 2 | 1 | 1 | Bag of universal joint for crank rod | 1 | K-13164-00-0-1 |
| | | 1 | 1 | 1 | 1 | | | Bag of coupling horn | 1 | K-13165-00-0-1 |

Standard version Corner gear



Fitting requirements for openers with corner gear according to quantity of stays for schemes 1 to 4n

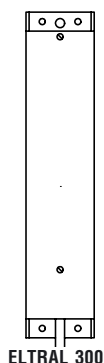
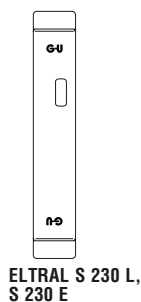
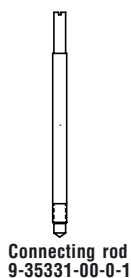
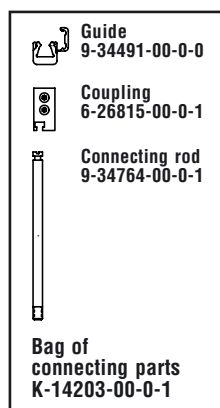
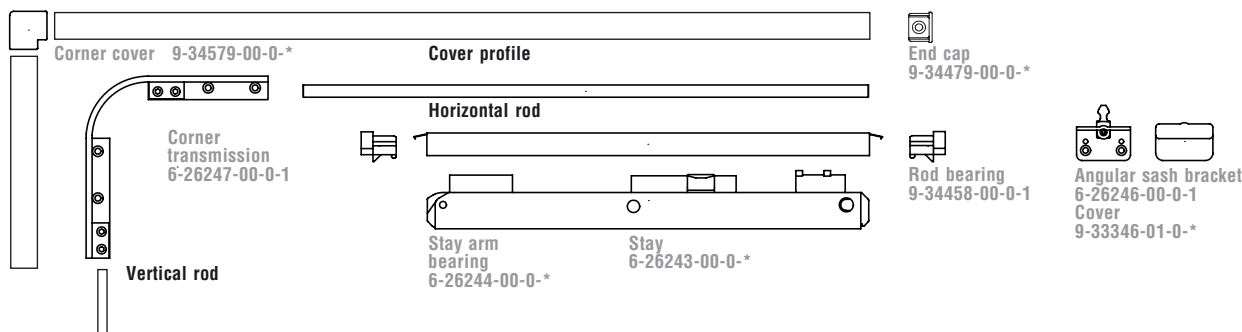
| Stück | Bezeichnung | | | | VE | Bestell-Nr. |
|-----------------------|-------------|----|----|---|----|----------------|
| 1 | 2n | 3n | 4n | | | |
| 1 | 2 | 3 | 4 | Bag of stay VENTUS F 300 with angular sash bracket [1] | 1 | K-13999-00-0-* |
| 1 | 1 | 1 | 1 | End cap | 1 | 9-34479-00-0-* |
| 1 | 1 | 1 | 1 | Horizontal rod, Ø 10 mm | | |
| 1 | 1 | 1 | 1 | Cover profile für horizontal rod | | |
| To be cut from: | | | | | | |
| | | | | Bag of rod/Cover profile length 600 mm | 1 | K-14001-06-0-* |
| | | | | length 1870 mm | 1 | K-14001-18-0-* |
| | | | | length 3500 mm | 1 | K-14001-33-0-* |
| alternatively: | | | | | | |
| | | | | Rod, Ø 10 mm, stock length 6000 mm | 1 | 9-23055-60-0-1 |
| | | | | Cover profile, stock length 6000 mm | 1 | 9-34497-60-0-* |
| 1 | 1 | 1 | 1 | Bag of vertical gear F 300 | 1 | K-14219-00-0-* |
| 1 | 1 | 1 | 1 | Bag of corner gear | 1 | K-14282-00-0-* |

[1] Depending on the quality of the PVC profile, use shim 9-34509-00-0-1 respectively (see optional parts) – **Assembly drawing 0-42700.**

Fitting requirements for articulated crank rod and accessories according to types a to h for vertical and corner gears

| Types | Description | PU | Article No. |
|-----------------|---|----|----------------|
| a b c d e f g h | | | |
| 1 1 1 1 1 1 1 1 | Crank rod – to be cut from: aluminium tube, stock length 5000 mm | 1 | 9-32230-50-0-* |
| 1 1 1 1 1 1 1 1 | Bag of hinged crank | 1 | K-13162-00-0-* |
| | 1 1 2 2 1 1 | 1 | K-13164-00-0-1 |
| | 1 1 1 1 | 1 | K-13165-00-0-1 |

Standard version ELTRAL, vertical installation on the side

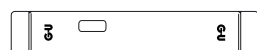
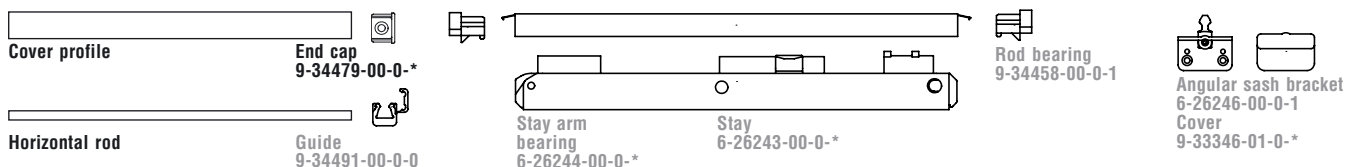


Fitting requirements for openers with ELTRAL for vertical installation according to quantity of stays for schemes 1 to 4n

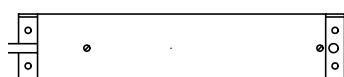
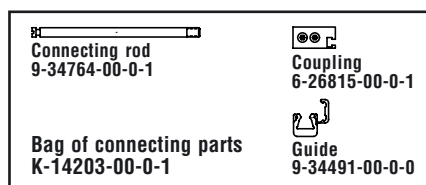
| Quantity | | | | Description | PU | Article No. |
|-----------------------|----|----|----|--|----|----------------|
| 1 | 2n | 3n | 4n | | | |
| 1 | 1 | 1 | 1 | Basic box VENTUS F 300 without lever handle with angular sash bracket [1] | 1 | K-14320-00-0-* |
| | 1 | 2 | 3 | Box of stay VENTUS F 300 with angular sash bracket [1] | 1 | K-13999-00-0-* |
| 1 | 1 | 1 | 1 | Horizontal rod, Ø 10 mm | | |
| 1 | 1 | 1 | 1 | Cover profile for horizontal rod | | |
| | | | | to be cut from: | | |
| | | | | Bag of rod/cover profile | 1 | K-14001-06-0-* |
| | | | | Rod length 600 mm | 1 | K-14001-18-0-* |
| | | | | Rod length 1870 mm | 1 | K-14001-33-0-* |
| | | | | Rod length 3500 mm | 1 | K-14001-33-0-* |
| alternatively: | | | | Rod, Ø 10 mm, stock length 6000 mm | 1 | 9-23055-60-0-1 |
| | | | | Cover profile, stock length 6000 mm | 1 | 9-34497-60-0-* |
| 1 | 1 | 1 | 1 | Electric drive ELTRAL S 230 L | 1 | 6-31730-00-0-* |
| alternatively: | | | | Electric drive ELTRAL S 230 E | 1 | 6-31732-00-0-* |
| 1 | 1 | 1 | 1 | Bag of connecting parts, B = 620-3600 | 1 | K-14203-00-0-1 |
| 1 | 1 | 1 | 1 | Vertical rod, to be cut from rod Ø 10 mm | | |
| alternatively: | | | | Electric drive ELTRAL 300 E1 | 1 | 9-31020-01-0-* |
| alternatively: | | | | Connecting rod, Ø 12 mm, B = 605-3600 mm | 1 | 9-35331-00-0-1 |

[1] Depending on the quality of the PVC profile, use shim 9-34509-00-0-1 respectively (see optional parts) – **Assembly drawing 0-42700.**
Assembly drawings ELTRAL S 230 0-42807, ELTRAL 300 0-42710.

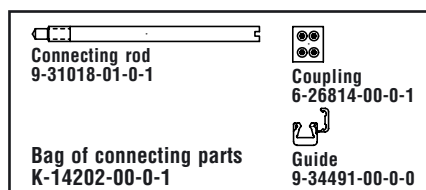
Standard version ELTRAL, horizontal installation at the top



ELTRAL S 230 L, S 230 E



ELTRAL 300

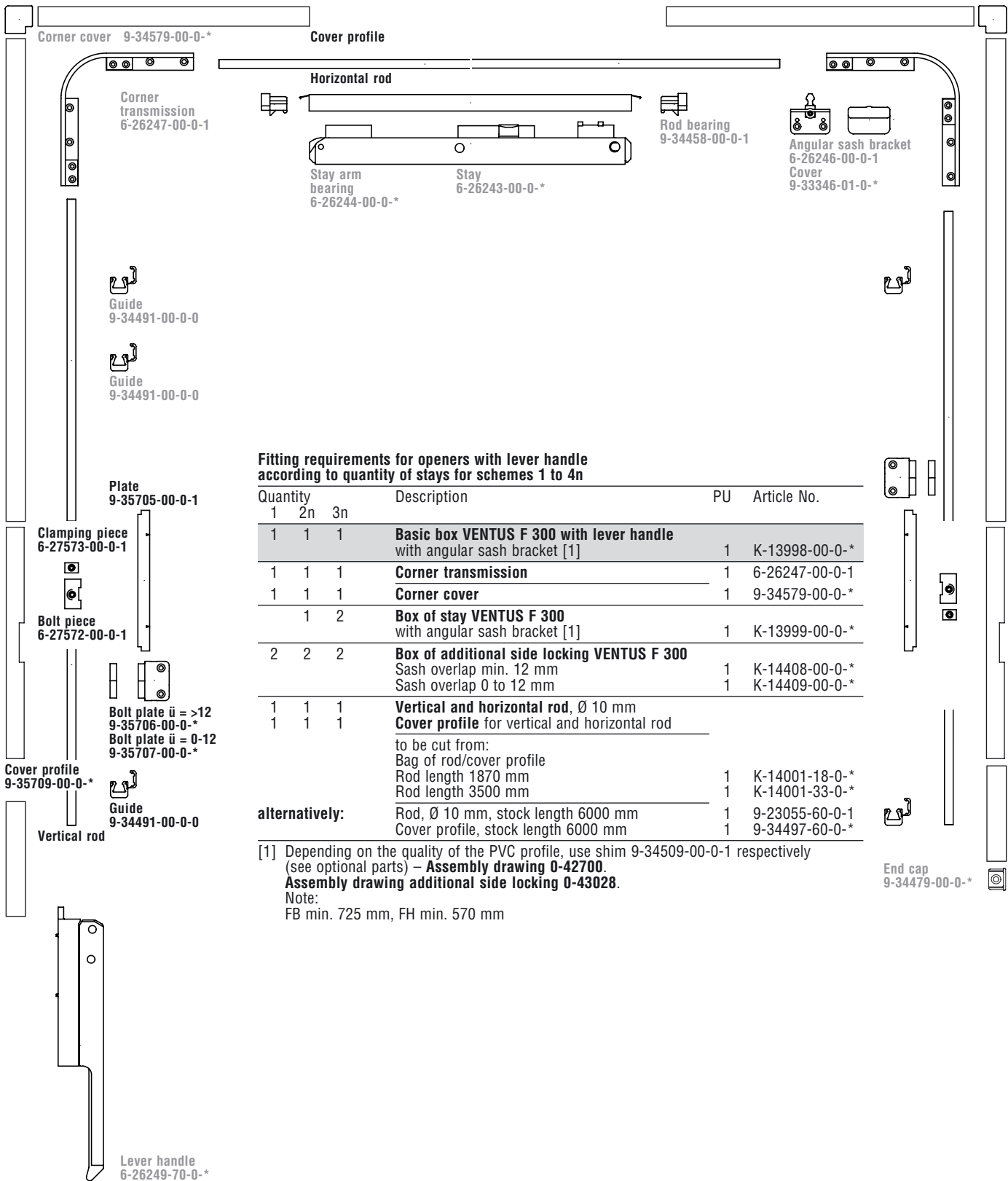


Fitting requirements for openers with ELTRAL for horizontal installation according to quantity of stays for schemes 1 to 4n

| Quantity | | | | Description | PU | Article No. |
|-----------------------|----|----|----|---|----|----------------|
| 1 | 2n | 3n | 4n | | | |
| 1 | 2 | 3 | 4 | Box of stay VENTUS F 300 with angular sash bracket [1] | 1 | K-13999-00-0-* |
| 1 | 1 | 1 | 1 | End cap | 1 | 9-34479-00-0-* |
| 1 | 1 | 1 | 1 | Horizontal rod, Ø 10 mm | | |
| 1 | 1 | 1 | 1 | Cover profile for horizontal rod | | |
| | | | | to be cut from | | |
| | | | | Bag of rod/cover profile | 1 | K-14001-06-0-* |
| | | | | Rod length 600 mm | 1 | K-14001-18-0-* |
| | | | | Rod length 1870 mm | 1 | K-14001-33-0-* |
| | | | | Rod length 3500 mm | 1 | K-14001-33-0-* |
| alternatively: | | | | Rod, Ø 10 mm, stock length 6000 mm | 1 | 9-23055-60-0-1 |
| | | | | Cover profile, stock length 6000 mm | 1 | 9-34497-60-0-* |
| 1 | 1 | 1 | 1 | Electric drive ELTRAL S 230 L | 1 | 6-31730-00-0-* |
| alternatively: | | | | Electric drive ELTRAL S 230 E | 1 | 6-31732-00-0-* |
| 1 | 1 | 1 | 1 | Bag of connecting parts, B = 825-3600 | 1 | K-14203-00-0-1 |
| alternatively: | | | | Electric drive ELTRAL 300 E1 | 1 | 9-31020-01-0-* |
| alternatively: | | | | Bag of connecting parts 300, B = 850-3600 | 1 | K-14202-00-0-1 |

[1] Depending on the quality of the PVC profile, use shim 9-34509-00-0-1 respectively (see optional parts) – **Assembly drawing 0-42700.**
Assembly drawings ELTRAL S 230 0-42807, ELTRAL 300 0-42710.

Standard version
Lever handle additional side locking



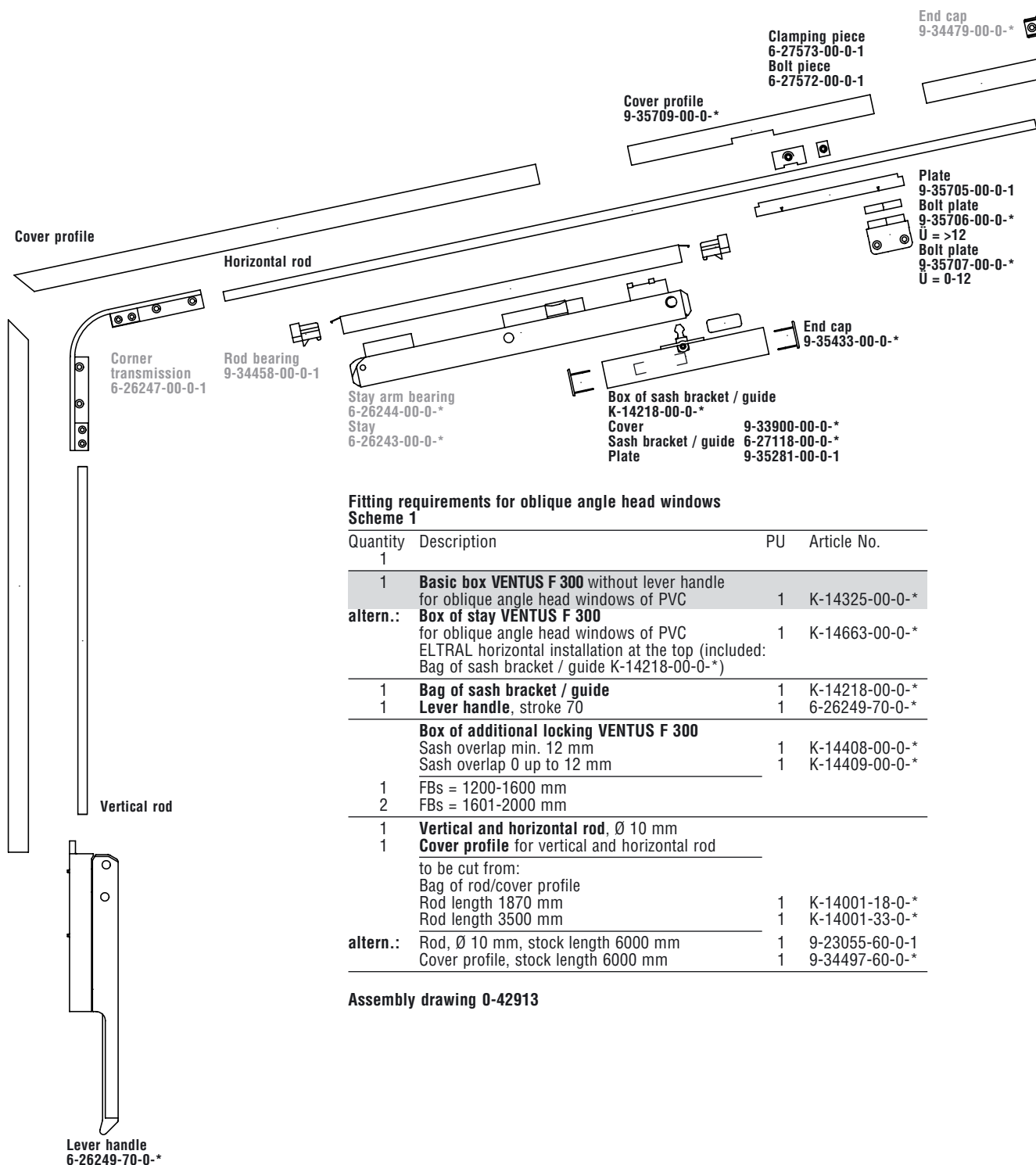
Fitting requirements for openers with lever handle according to quantity of stays for schemes 1 to 4n

| Quantity | | | Description | PU | Article No. |
|-----------------------|----|----|--|----|----------------|
| 1 | 2n | 3n | | | |
| 1 | 1 | 1 | Basic box VENTUS F 300 with lever handle with angular sash bracket [1] | 1 | K-13998-00-0-* |
| 1 | 1 | 1 | Corner transmission | 1 | 6-26247-00-0-1 |
| 1 | 1 | 1 | Corner cover | 1 | 9-34579-00-0-* |
| | 1 | 2 | Box of stay VENTUS F 300 with angular sash bracket [1] | 1 | K-13999-00-0-* |
| 2 | 2 | 2 | Box of additional side locking VENTUS F 300 Sash overlap min. 12 mm Sash overlap 0 to 12 mm | 1 | K-14408-00-0-* |
| | | | | 1 | K-14409-00-0-* |
| 1 | 1 | 1 | Vertical and horizontal rod, Ø 10 mm | | |
| 1 | 1 | 1 | Cover profile for vertical and horizontal rod to be cut from: Bag of rod/cover profile | 1 | K-14001-18-0-* |
| | | | Rod length 1870 mm | 1 | K-14001-33-0-* |
| | | | Rod length 3500 mm | | |
| alternatively: | | | Rod, Ø 10 mm, stock length 6000 mm | 1 | 9-23055-60-0-1 |
| | | | Cover profile, stock length 6000 mm | 1 | 9-34497-60-0-* |

[1] Depending on the quality of the PVC profile, use shim 9-34509-00-0-1 respectively (see optional parts) – **Assembly drawing 0-42700.**
Assembly drawing additional side locking 0-43028.

Note:
FB min. 725 mm, FH min. 570 mm

Standard version
Oblique angle head windows



**Fitting requirements for oblique angle head windows
Scheme 1**

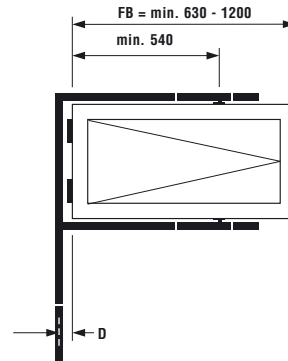
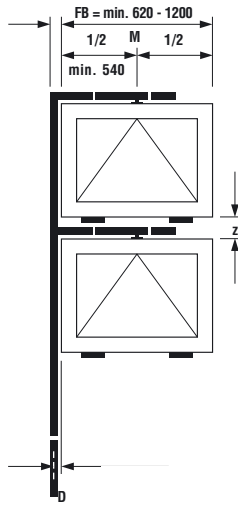
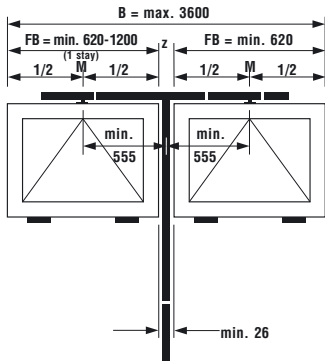
| Quantity | Description | PU | Article No. |
|----------|--|----|----------------|
| 1 | | | |
| 1 | Basic box VENTUS F 300 without lever handle for oblique angle head windows of PVC | 1 | K-14325-00-0-* |
| altern.: | Box of stay VENTUS F 300 for oblique angle head windows of PVC ELTRAL horizontal installation at the top (included: Bag of sash bracket / guide K-14218-00-0-*) | 1 | K-14663-00-0-* |
| 1 | Bag of sash bracket / guide | 1 | K-14218-00-0-* |
| 1 | Lever handle , stroke 70 | 1 | 6-26249-70-0-* |
| | Box of additional locking VENTUS F 300 | | |
| | Sash overlap min. 12 mm | 1 | K-14408-00-0-* |
| | Sash overlap 0 up to 12 mm | 1 | K-14409-00-0-* |
| 1 | FBs = 1200-1600 mm | | |
| 2 | FBs = 1601-2000 mm | | |
| 1 | Vertical and horizontal rod , Ø 10 mm | | |
| 1 | Cover profile for vertical and horizontal rod to be cut from: | | |
| | Bag of rod/cover profile | | |
| | Rod length 1870 mm | 1 | K-14001-18-0-* |
| | Rod length 3500 mm | 1 | K-14001-33-0-* |
| altern.: | Rod, Ø 10 mm, stock length 6000 mm | 1 | 9-23055-60-0-1 |
| | Cover profile, stock length 6000 mm | 1 | 9-34497-60-0-* |

Assembly drawing 0-42913

Special versions

Standard version, minimum dimensions

Special versions

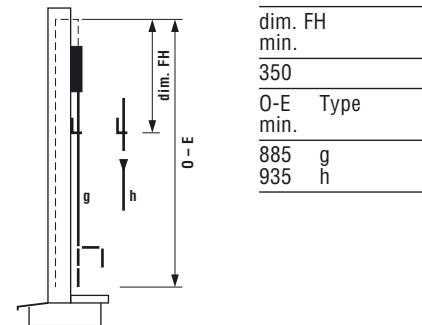
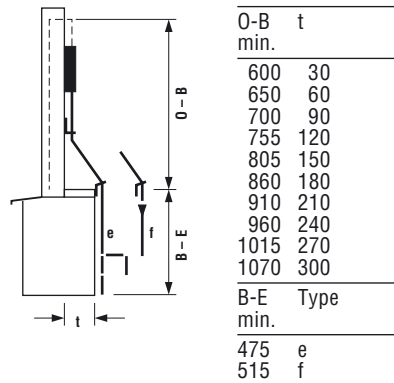
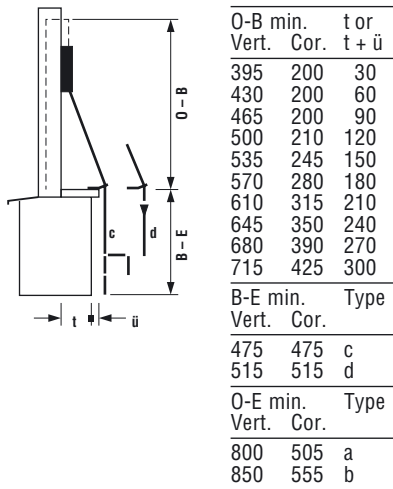


Fan-light opener VENTUS F 300
Common centre operation of 2 side by side sashes, type 2n with T angle (optional part)

Fan-light opener VENTUS F 300
Common centre operation of 2 sashes one above the other, type 2ü with T angle (optional part)

Fan-light opener VENTUS F 300
Side hung sash with T angle (optional part)

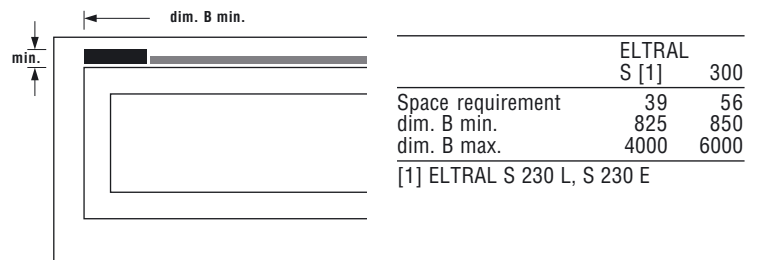
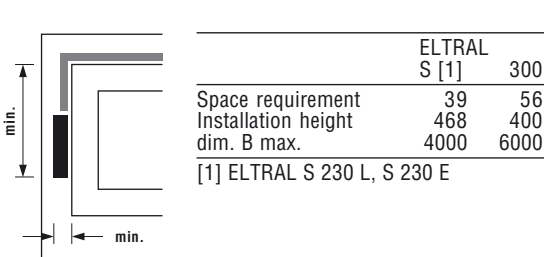
Standard version, minimum dimensions



Vertical and corner gears
Types a, b, c and d

Vertical gear
Types e and f

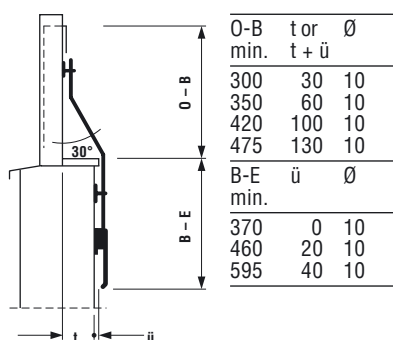
Vertical gear
Types g and h



ELTRAL, vertical installation on the side

ELTRAL horizontal installation at the top

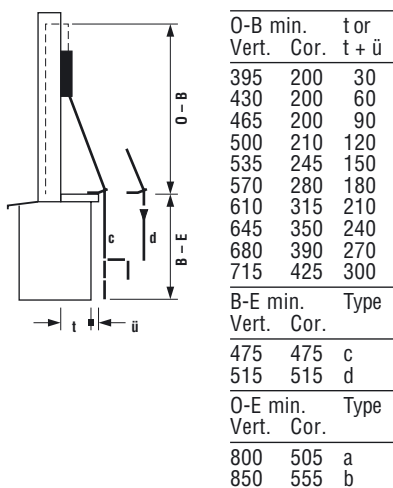
Rods cut to measure, minimum dimensions



| O-B min. | t or t + ü | Ø |
|----------|------------|----|
| 300 | 30 | 10 |
| 350 | 60 | 10 |
| 420 | 100 | 10 |
| 475 | 130 | 10 |

| B-E min. | ü | Ø |
|----------|----|----|
| 370 | 0 | 10 |
| 460 | 20 | 10 |
| 595 | 40 | 10 |

Rod transmission
Form A, Ø 10 mm

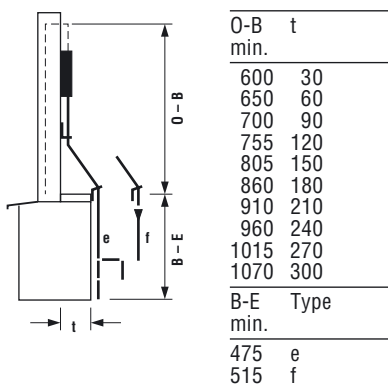


| O-B min. | Vert. Cor. | t or t + ü |
|----------|------------|------------|
| 395 | 200 | 30 |
| 430 | 200 | 60 |
| 465 | 200 | 90 |
| 500 | 210 | 120 |
| 535 | 245 | 150 |
| 570 | 280 | 180 |
| 610 | 315 | 210 |
| 645 | 350 | 240 |
| 680 | 390 | 270 |
| 715 | 425 | 300 |

| B-E min. | Type |
|----------|-------|
| 475 | 475 c |
| 515 | 515 d |

| O-E min. | Type |
|----------|-------|
| 800 | 505 a |
| 850 | 555 b |

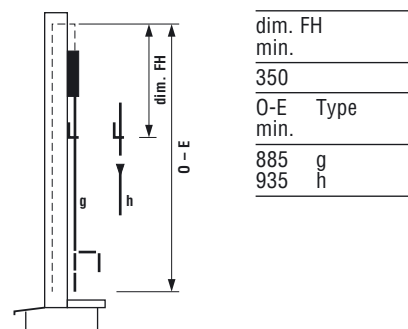
Vertical and corner gears
Type a, b, c and d



| O-B min. | t |
|----------|-----|
| 600 | 30 |
| 650 | 60 |
| 700 | 90 |
| 755 | 120 |
| 805 | 150 |
| 860 | 180 |
| 910 | 210 |
| 960 | 240 |
| 1015 | 270 |
| 1070 | 300 |

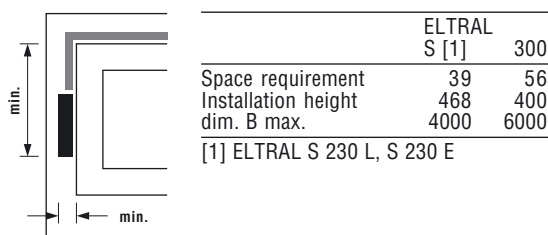
| B-E min. | Type |
|----------|------|
| 475 | e |
| 515 | f |

Vertical gear
Type e and f



| dim. FH min. | Type |
|--------------|------|
| 350 | |
| O-E min. | |
| 885 | g |
| 935 | h |

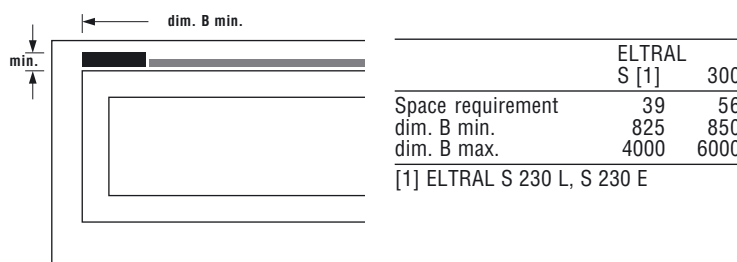
Vertical gear
Type g and h



| | ELTRAL S [1] | 300 |
|---------------------|--------------|------|
| Space requirement | 39 | 56 |
| Installation height | 468 | 400 |
| dim. B max. | 4000 | 6000 |

[1] ELTRAL S 230 L, S 230 E

ELTRAL, vertical installation on the side

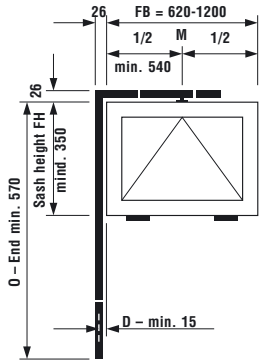


| | ELTRAL S [1] | 300 |
|-------------------|--------------|------|
| Space requirement | 39 | 56 |
| dim. B min. | 825 | 850 |
| dim. B max. | 4000 | 6000 |

[1] ELTRAL S 230 L, S 230 E

ELTRAL horizontal installation at the top

Fan-light opener VENTUS F 300 Lever handle



Scheme 1
Lever handle

Rod length depending on total sash width and dim. O-End

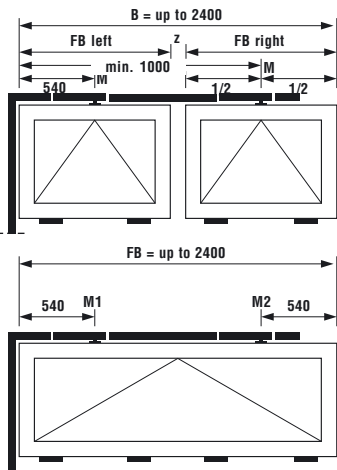
| | Length of vertical rod | Total sash width dim. FB or B up to 1200 |
|-------|------------------------|--|
| O-End | | Length of horizontal rod 540 |
| 1000 | 765 | 1305 |
| 1100 | 865 | 1405 |
| 1200 | 965 | 1505 |
| 1300 | 1065 | 1605 |
| 1400 | 1165 | 1705 |
| 1500 | 1265 | 1805 |
| 1600 | 1365 | 1905 |
| 1700 | 1465 | 2005 |
| 1800 | 1565 | 2105 |
| 1900 | 1665 | 2205 |
| 2000 | 1765 | 2305 |

Rod and cover profile size 33 = grey, 60 = white

Rod length depending on total sash width and dim. O-End

| | Length of vertical rod | Total sash width dim. FB or B | | | | | |
|-------|------------------------|-------------------------------|------|------|------|------|------|
| | | 1400 | 1600 | 1800 | 2000 | 2200 | 2400 |
| O-End | | Length of horizontal rod | | | | | |
| 1000 | 765 | 1965 | 2165 | 2365 | 2565 | 2765 | 2965 |
| 1100 | 865 | 2065 | 2265 | 2465 | 2665 | 2865 | 3065 |
| 1200 | 965 | 2165 | 2365 | 2565 | 2765 | 2965 | 3165 |
| 1300 | 1065 | 2265 | 2465 | 2665 | 2865 | 3065 | 3265 |
| 1400 | 1165 | 2365 | 2565 | 2765 | 2965 | 3165 | 3365 |
| 1500 | 1265 | 2465 | 2665 | 2865 | 3065 | 3265 | 3465 |
| 1600 | 1365 | 2565 | 2765 | 2965 | 3165 | 3365 | 3565 |
| 1700 | 1465 | 2665 | 2865 | 3065 | 3265 | 3465 | 3665 |
| 1800 | 1565 | 2765 | 2965 | 3165 | 3365 | 3565 | 3765 |
| 1900 | 1665 | 2865 | 3065 | 3265 | 3465 | 3665 | 3865 |
| 2000 | 1765 | 2965 | 3165 | 3365 | 3565 | 3765 | 3965 |

Rod and cover profile size 33 = grey, 60 = white

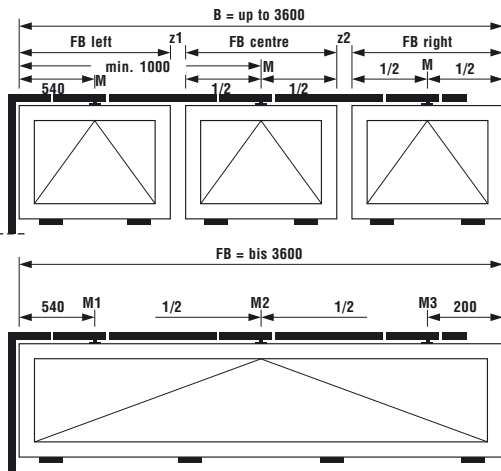


Scheme 2n

Rod length depending on total sash width and dim. O-End

| | Length of vertical rod | Total sash width dim. FB or B | | | | | |
|-------|------------------------|-------------------------------|------|------|------|------|------|
| | | 2600 | 2800 | 3000 | 3200 | 3400 | 3600 |
| O-End | | Length of horizontal rod | | | | | |
| 1000 | 765 | 3165 | 3365 | 3565 | 3765 | 3965 | 4165 |
| 1100 | 865 | 3265 | 3465 | 3665 | 3865 | 4065 | 4265 |
| 1200 | 965 | 3365 | 3565 | 3765 | 3965 | 4165 | 4365 |
| 1300 | 1065 | 3465 | 3665 | 3865 | 4065 | 4265 | 4465 |
| 1400 | 1165 | 3565 | 3765 | 3965 | 4165 | 4365 | 4565 |
| 1500 | 1265 | 3665 | 3865 | 4065 | 4265 | 4465 | 4665 |
| 1600 | 1365 | 3765 | 3965 | 4165 | 4365 | 4565 | 4765 |
| 1700 | 1465 | 3865 | 4065 | 4265 | 4465 | 4665 | 4865 |
| 1800 | 1565 | 3965 | 4165 | 4365 | 4565 | 4765 | 4965 |
| 1900 | 1665 | 4065 | 4265 | 4465 | 4665 | 4865 | 5065 |
| 2000 | 1765 | 4165 | 4365 | 4565 | 4765 | 4965 | 5165 |

Rod and cover profile size 33 = grey, 60 = white

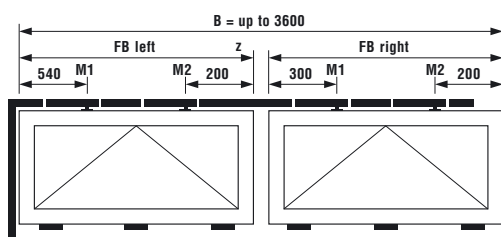


Scheme 3n

Rod length depending on total sash width and dim. O-End

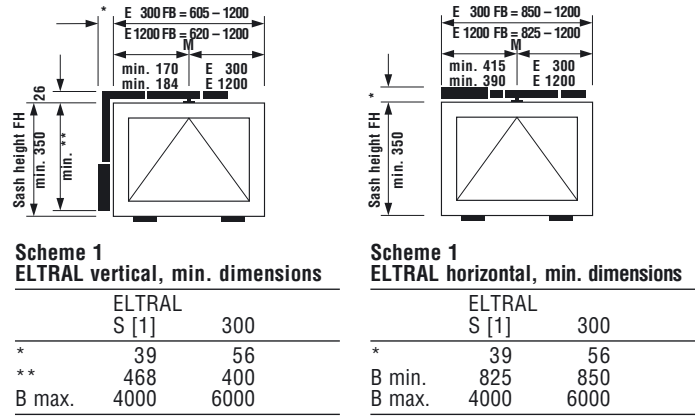
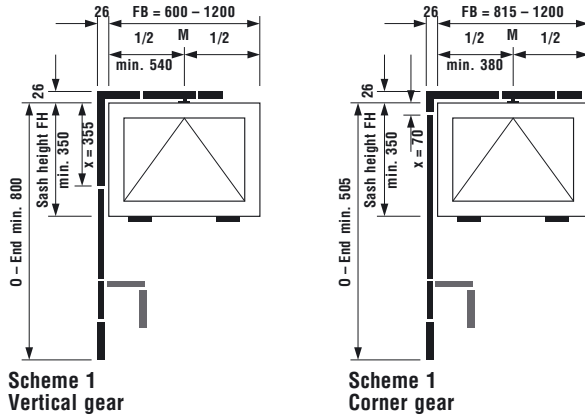
| | Length of vertical rod | Total sash width dim. FB or B | | | | | |
|-------|------------------------|-------------------------------|------|------|------|------|------|
| | | 2600 | 2800 | 3000 | 3200 | 3400 | 3600 |
| O-End | | Length of horizontal rod | | | | | |
| 1000 | 765 | 3165 | 3365 | 3565 | 3765 | 3965 | 4165 |
| 1100 | 865 | 3265 | 3465 | 3665 | 3865 | 4065 | 4265 |
| 1200 | 965 | 3365 | 3565 | 3765 | 3965 | 4165 | 4365 |
| 1300 | 1065 | 3465 | 3665 | 3865 | 4065 | 4265 | 4465 |
| 1400 | 1165 | 3565 | 3765 | 3965 | 4165 | 4365 | 4565 |
| 1500 | 1265 | 3665 | 3865 | 4065 | 4265 | 4465 | 4665 |
| 1600 | 1365 | 3765 | 3965 | 4165 | 4365 | 4565 | 4765 |
| 1700 | 1465 | 3865 | 4065 | 4265 | 4465 | 4665 | 4865 |
| 1800 | 1565 | 3965 | 4165 | 4365 | 4565 | 4765 | 4965 |
| 1900 | 1665 | 4065 | 4265 | 4465 | 4665 | 4865 | 5065 |
| 2000 | 1765 | 4165 | 4365 | 4565 | 4765 | 4965 | 5165 |

Rod and cover profile size 33 = grey, 60 = white



Scheme 4n

Fan-light opener VENTUS F 200 Vertical and corner gears, ELTRAL – vertical and horizontal installation

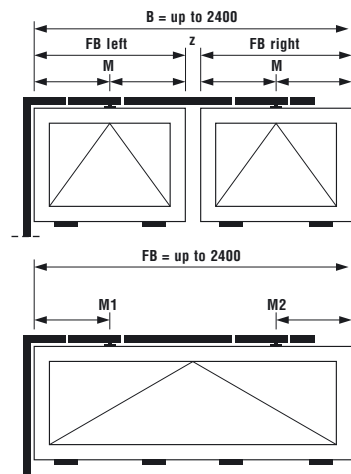


Length of horizontal rod depending on total sash width

| Drive | Total sash width dim. FB or B | | | |
|---------------|-------------------------------|-----|------|------|
| | 700 | 800 | 1000 | 1200 |
| Vertical gear | 540 | 540 | 540 | 540 |
| Corner gear | | 585 | 635 | 735 |

Length of horizontal rod depending on total sash width

| Drive | Total sash width dim. FB or B | | | | [1] |
|-------------------------|-------------------------------|-----|------|------|----------------|
| | 700 | 800 | 1000 | 1200 | |
| ELTRAL S vertical [1] | 730 | 830 | 990 | 1090 | ELTRAL S 230 L |
| ELTRAL S horizontal [1] | | 540 | 650 | 750 | S 230 E |
| ELTRAL 300 vertical | 610 | 710 | 870 | 970 | |
| ELTRAL 300 horizontal | | 620 | 720 | | |

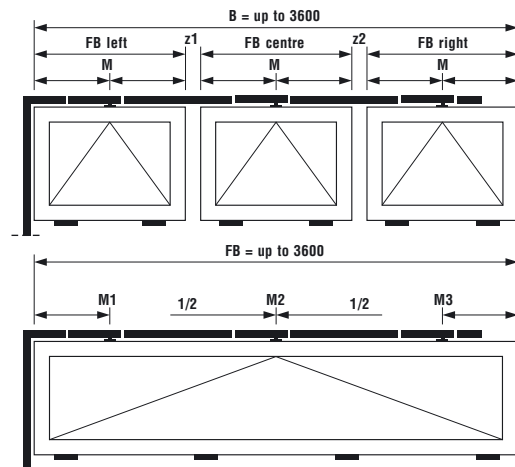


Scheme 2n

Length of horizontal rod depending on total sash width

| Drive | Total sash width dim. FB or B | | | | | |
|-------------------------|-------------------------------|------|------|------|------|------|
| | 1400 | 1600 | 1800 | 2000 | 2200 | 2400 |
| Vertical gear | 1200 | 1400 | 1600 | 1800 | 2000 | 2200 |
| Corner gear | 1145 | 1345 | 1545 | 1745 | 1945 | 2145 |
| ELTRAL S vertical [1] | 1430 | 1630 | 1830 | 2030 | 2230 | 2430 |
| ELTRAL S horizontal [1] | 1090 | 1290 | 1490 | 1690 | 1890 | 2090 |
| ELTRAL 300 vertical | 1310 | 1510 | 1710 | 1910 | 2110 | 2310 |
| ELTRAL 300 oben | 1060 | 1260 | 1460 | 1660 | 1860 | 2060 |

[1] ELTRAL S 230 L, S 230 E

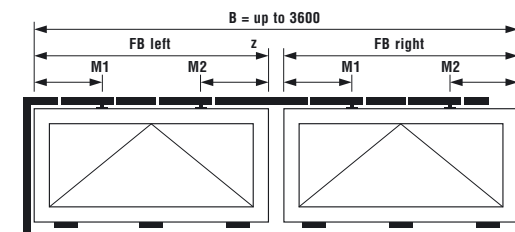


Scheme 3n

Length of horizontal rod depending on total sash width

| Drive | Total sash width dim. FB or B | | | | | |
|-------------------------|-------------------------------|------|------|------|------|------|
| | 2600 | 2800 | 3000 | 3200 | 3400 | 3600 |
| Vertical gear | 2400 | 2600 | 2800 | 3000 | 3200 | 3400 |
| Corner gear | 2345 | 2545 | 2745 | 2945 | 3145 | 3345 |
| ELTRAL S vertical [1] | 2630 | 2830 | 3030 | 3230 | 3430 | 3630 |
| ELTRAL S horizontal [1] | 2290 | 2490 | 2690 | 2890 | 3090 | 3290 |
| ELTRAL 300 vertical | 2510 | 2710 | 2910 | 3110 | 3310 | 3510 |
| ELTRAL 300 oben | 2260 | 2460 | 2660 | 2860 | 3060 | 3260 |

[1] ELTRAL S 230 L, S 230 E






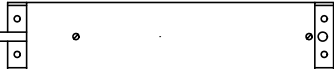
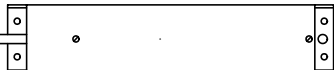
Scheme 4n

Length of horizontal rod depending on total sash width

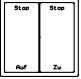
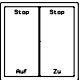

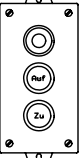
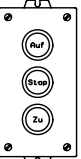

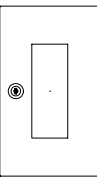



| Drive | Total sash width dim. FB or B | | | | | |
|-------------------------|-------------------------------|------|------|------|------|------|
| | 2600 | 2800 | 3000 | 3200 | 3400 | 3600 |
| Vertical gear | 2400 | 2600 | 2800 | 3000 | 3200 | 3400 |
| Corner gear | 2345 | 2545 | 2745 | 2945 | 3145 | 3345 |
| ELTRAL S vertical [1] | 2630 | 2830 | 3030 | 3230 | 3430 | 3630 |
| ELTRAL S horizontal [1] | 2290 | 2490 | 2690 | 2890 | 3090 | 3290 |
| ELTRAL 300 vertical | 2510 | 2710 | 2910 | 3110 | 3310 | 3510 |
| ELTRAL 300 horizontal | 2260 | 2460 | 2660 | 2860 | 3060 | 3260 |

[1] ELTRAL S 230 L, S 230 E


ELTRAL S 230 L, ELTRAL S 230 E, ELTRAL S 24 L ELTRAL 300 E1, ELTRAL 300/24

| Application, illustration | Description | PU | Article No. |
|---|---|----|----------------|
| Timber, PVC and aluminium windows  | Electric drive ELTRAL S 230 L for face-fixed fan-light openers <hr/> Technical data Supply voltage/frequency V/Hz 230/50 Current consumption A 0,15 Protection class IP 50 Limit switch load interruption Intermittent duty ratio % 20 Connecting plug 4-pin Stroke max. mm 70 Runtime per stroke of 50 mm sec. 50 Pushing force N 1200 Length mm 210 Width mm 36 Height mm 76 | 1 | 6-31730-00-0-* |
|  | Electric drive ELTRAL S 230 E for face-fixed fan-light openers <hr/> Technical data Supply voltage/frequency V/Hz 230/50 Current consumption A 0,15 Protection class IP 50 Limit switch load interruption Adjustment of opening width electronic Intermittent duty ratio % 20 Connecting plug 4-pin Stroke max. mm 70 Runtime per stroke of 50 mm sec. 50 Pushing force N 1200 Length mm 210 Width mm 36 Height mm 76 | 1 | 6-31732-00-0-* |
|  | Elektroantrieb ELTRAL S 24 L for face-fixed fan-light openers <hr/> Technical data Supply voltage/frequency V DC 24 Current consumption A 0,7 Protection class IP 54 Limit switch load interruption Intermittent duty ratio % 20 Connecting plug 4-polig Stroke max. mm 70 Runtime per stroke of 50 mm sec. 45 Pushing force N 1200 Length mm 210 Width mm 36 Height mm 76 | 1 | 6-31734-00-0-* |
| Timber, PVC and aluminium windows  | Electric drive ELTRAL 300 E1 for face-fixed fan-light openers <hr/> Technical data Supply voltage/frequency V/Hz 230/50 Current consumption A 0,10 Protection class IP 54 Limit switch included Intermittent duty ratio % 100 Cross section of cable mm ² 4 x 0,75 Cable length approx. mm 1500 Stroke mm 30-100 Factory set stroke mm 40 Runtime per stroke of 50 mm sec. 50 Pushing force N 3000 Length mm 270 Width mm 55 Height mm 102 | 1 | 9-31020-01-0-* |
|  | Electric drive ELTRAL 300/24 for face-fixed fan-light openers <hr/> Technical data Supply voltage/frequency V DC 24 Current consumption A 0,8 Protection class IP 54 Limit switch vorhanden Intermittent duty ratio % 100 Cross section of cable mm ² 4 x 0,75 Cable length approx. mm 1500 Stroke mm 100 Factory set stroke mm 40 Runtime per stroke of 50 mm sec. 50 Pushing force N 3000 Length mm 270 Width mm 55 Height mm 102 | 1 | 9-31021-00-0-* |

Rocker switches, key-type switch, pushbutton switches, protective casings, labels, hand-held transmitter

| Application, illustration | Description | PU | Article No. |
|--|---|--------|----------------------------------|
| Electric drives 230 V  | Rocker switch »OPEN-STOP-CLOSED« unipolar, surface mounting unipolar, flush mounting | 1 1 | 6-22539-00-0-0 6-22540-00-0-0 |
| Electric drives 230 V  | Rocker switch »OPEN-STOP-CLOSED« surface mounting flush mounting | 1 1 | 6-25220-00-0-0 6-25219-00-0-0 |
| Electric drives 230 V  | Key-type switch »OPEN-STOP-CLOSED« with profile half cylinder flush mounting | 1 | 6-22992-00-0-0 |
| Electric drives 230 V  | Pushbutton switch »Lamp-OPEN-CLOSED« surface mounting flush mounting | 1 1 | 9-33367-00-0-0 9-33368-00-0-0 |
| Electric drives 230 V  | Pushbutton switch »OPEN-STOP-CLOSED« surface mounting flush mounting | 1 1 | 9-33369-00-0-0 9-33370-00-0-0 |
| Electric drives 230 V  | Pushbutton switch »OPEN-CLOSED« surface mounting flush mounting | 1 1 | 9-33371-00-0-0 9-33372-00-0-0 |
| Pushbutton switch  | Protective casings with lockable door, incl. cylinder and 3 keys surface mounting flush mounting | 1 1 | 9-26220-00-0-0 6-22138-00-0-9 |
| Pushbutton switch  | Labels Label »Ventilation« Label »Smoke exhaust« | 1 1 | 9-25546-00-0-1 9-22277-00-0-1 |
| Electric drives 230 V  | Hand-held transmitter 42 FH | 1 | 9-42496-00-0-0 |
| Hand-held transmitter 42 FH  | Radio actuator FAJ 6 UP Installation in flush-mounted socket 230 V AC 50Hz breaking capacity: 250 V ~700 VA | 1 | 9-42495-00-0-0 |

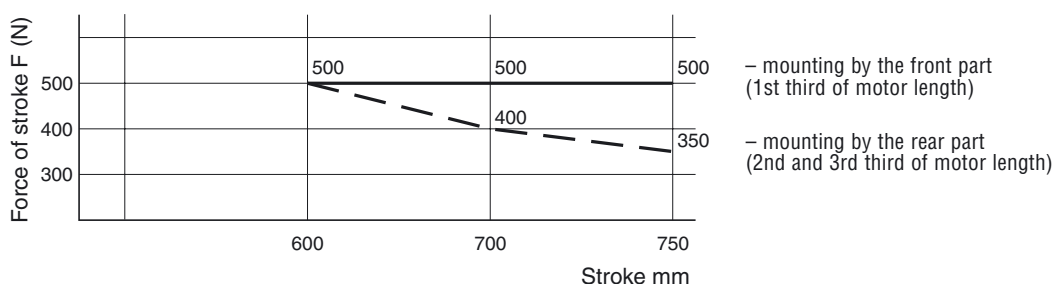
Stroke 300 to 750 mm, force of stroke 500 N

| Application, illustration | Description | PU | Article No. |
|--|---|----|----------------|
| Timber, PVC and aluminium windows  | Spindle drive ELTRAL SP 5-Z/230 Supply voltage/frequency 230 V | | |
| | ELTRAL SP 5-Z/230 – types with various strokes | | |
| | Stroke 300 mm | 1 | 9-40095-30-0-1 |
| | Stroke 400 mm | 1 | 9-40095-40-0-1 |
| | Stroke 500 mm | 1 | 9-40095-50-0-1 |
| | Stroke 600 mm | 1 | 9-40095-60-0-1 |
| | Stroke 750 mm | 1 | 9-40095-75-0-1 |
| | Technical description | | |
| | <ul style="list-style-type: none"> - Maintenance-free linear spindle drive - Resistant against humidity and corrosion - Aluminium drive casing, EV 1 anodised - Suitable for tilt, top hung, side hung, horizontal and vertical pivot windows, light domes, sunblinds - Durable, low noise, spindle with self-locking - Limit switch and electronic load interruption | | |
| | Technical data | | |
| <ul style="list-style-type: none"> - Supply voltage/frequency 230 V AC, 50 Hz - Current consumption 0,1 A - Max. force of stroke 500 N - Stress tested up to 3500 N - Running time – ²/₃ load 5,2 mm/s - Intermittent duty ratio 20% - Protection class IP 54 - Ambient temperature -7°C – 75°C - Connectable in parallel up to 8 drives at the maximum - Minimum length of drive 490 mm with stroke 300 mm - Connecting cable 6 x 0,75 mm², approx. 1 m | | | |
| Assembly of ELTRAL SP 5-Z/230 | Mounting brackets | | |
| | Mounting bracket K 5 with | 1 | 9-39078-00-0-1 |
| | - SP Clamping block, thick | 1 | 9-39093-10-0-0 |
| | can be combined with: | | |
| | - Mounting bracket, sash side K 21 | 1 | 9-39088-00-0-1 |
| | - Mounting bracket, sash side K 21 long | 1 | 9-39089-00-0-1 |
| | Mounting bracket K 7 with | 1 | 9-39079-00-0-1 |
| | - SP Clamping block, thick | 1 | 9-39093-10-0-0 |
| | Mounting bracket K 59 | 1 | 9-39081-00-0-1 |
| | can be combined with: | | |
| | - Mounting bracket, sash side K 9 | 1 | 9-39090-00-0-1 |
| | Mounting bracket K 57 with | 1 | 9-39082-00-0-1 |
| | - Mounting bracket, sash side K 9 | 1 | 9-39090-00-0-1 |
| | Mounting bracket K 57.2 | 1 | 9-39083-00-0-1 |
| | Support for sash | | |
| | - Support for sash F 10.6 | 1 | 9-39100-00-0-0 |

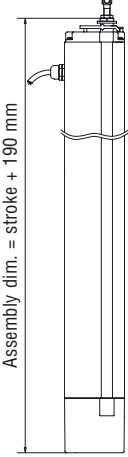
Assembly drawings

Top hung sashes 0-44094
Skylights 0-44095

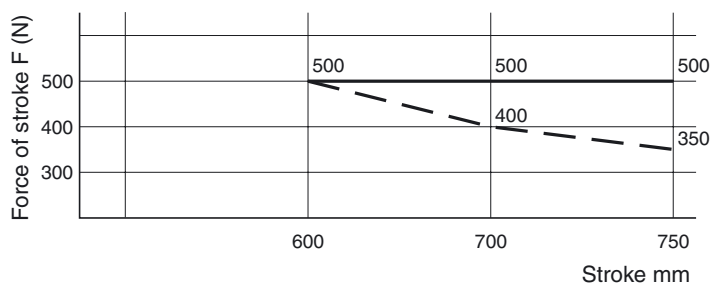
Load-displacement diagram



Stroke 300 to 750 mm, force of stroke 500 N – mounting by the rear part with eyescrew

| Application, illustration | Description | PU | Article No. |
|--|---|----------------------------------|----------------|
| Timber, PVC and aluminium windows  | Spindle drive ELTRAL SP 5-Z/230 Supply voltage/frequence 230 V | | |
| | ELTRAL SP 5-Z/230 – types with various strokes | | |
| | Stroke 300 mm | 1 | 9-42031-30-0-1 |
| | Stroke 400 mm | 1 | 9-42031-40-0-1 |
| | Stroke 500 mm | 1 | 9-42031-50-0-1 |
| | Stroke 600 mm | 1 | 9-42031-60-0-1 |
| | Stroke 750 mm | 1 | 9-42031-75-0-1 |
| | Technical description – Maintenance-free linear spindle drive – Resistant against humidity and corrosion – Aluminium drive casing, EV 1 anodised – Suitable for tilt, top hung, side hung, horizontal and vertical pivot windows, light domes, sunblinds – Durable, low noise, spindle with self-locking – Limit switch and electronic load interruption | | |
| | Technical data – Supply voltage/frequence 230 V AC, 50 Hz – Current consumption 0,1 A – Max. force of stroke 500 N – Stress tested up to 3500 N – Running time – ² / ₃ load 5,2 mm/s – Intermittent duty ratio 20% – Protection class IP 54 – Ambient temperature -7°C – 75°C – Connectable in parallel up to 8 drives at the maximum – Minimum length of drive 490 mm with stroke 300 mm – Connecting cable 6 x 0,75 mm ² , approx. 1 m | | |
| | Assembly of ELTRAL SP 5-Z/230 | | |
| Mounting brackets – Eyescrew – finish EV 1 colour – Support for sash F 11 | 1 1 | 9-40097-08-0-1 9-39102-00-0-0 | |
| Support for sash – Support for sash F 10.6 | 1 | 9-39100-00-0-0 | |


Load-displacement diagram



– mounting by the front part
(1st third of motor length)

– mounting by the rear part
(2nd and 3rd third of motor length)

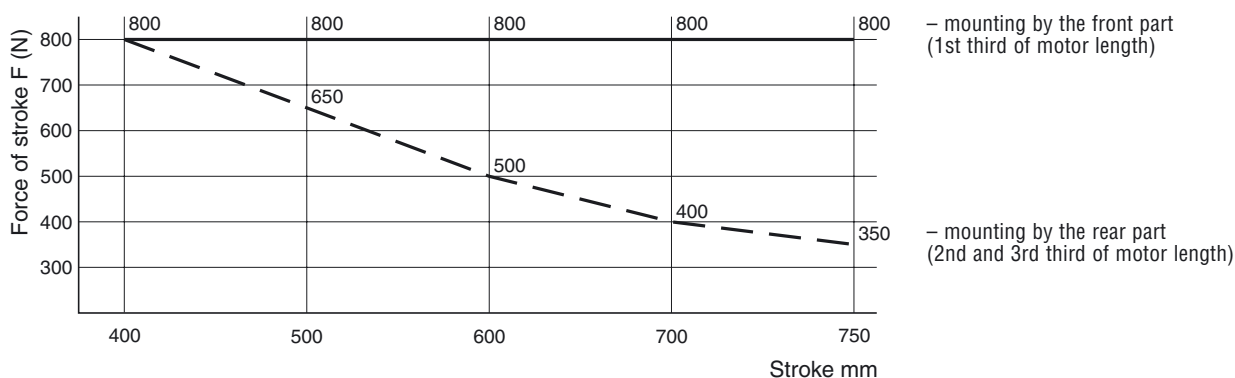
Stroke 300 to 750 mm, force of stroke 800 N

| Application, illustration | Description | PU | Article No. |
|---|---|--------|----------------------------------|
| Timber, PVC and aluminium windows  | Spindle drive ELTRAL SP 8-Z/230 Supply voltage/frequency 230 V | | |
| | ELTRAL SP 8-Z/230 – types with various strokes | | |
| | Stroke 300 mm | 1 | 9-40096-30-0-1 |
| | Stroke 400 mm | 1 | 9-40096-40-0-1 |
| | Stroke 500 mm | 1 | 9-40096-50-0-1 |
| | Stroke 750 mm | 1 | 9-40096-75-0-1 |
| | Technical description | | |
| | – Maintenance-free linear spindle drive – Resistant against humidity and corrosion – Aluminium drive casing, EV 1 anodised – Suitable for tilt, top hung, side hung, horizontal and vertical pivot windows, light domes, sunblinds – Durable, low noise, spindle with self-locking – Limit switch and electronic load interruption | | |
| | Technical data | | |
| | – Supply voltage/frequency 230 V AC, 50 Hz – Current consumption 0,15 A – Max. force of stroke 800 N – Stress tested up to 3500 N – Running time – ² / ₃ load 7,0 mm/s – Intermittent duty ratio 30% – Protection class IP 54 – Ambient temperature -5°C – 75°C – Connectable in parallel up to 8 drives at the maximum – Minimum length of drive 493 mm with stroke 300 mm – Connecting cable 6 x 0,75 mm ² , approx. 1 m | | |
| Assembly of ELTRAL SP 8-Z/230 | Mounting brackets | | |
| | Mounting bracket K 5 with – SP Clamping block, thick | 1 1 | 9-39078-00-0-1 9-39093-10-0-0 |
| | can be combined with: – Mounting bracket, sash side K 21 – Mounting bracket, sash side K 21 long | 1 1 | 9-39088-00-0-1 9-39089-00-0-1 |
| | Mounting bracket K 7 with – SP Clamping block, thick | 1 1 | 9-39079-00-0-1 9-39093-10-0-0 |
| | Mounting bracket K 59 can be combined with: – Mounting bracket, sash side K 9 | 1 1 | 9-39081-00-0-1 9-39090-00-0-1 |
| | Mounting bracket K 57 with – Mounting bracket, sash side K 9 | 1 1 | 9-39082-00-0-1 9-39090-00-0-1 |
| | Mounting bracket K 57.2 | 1 | 9-39083-00-0-1 |
| | Support for sash – Support for sash F 10.6 | 1 | 9-39100-00-0-0 |

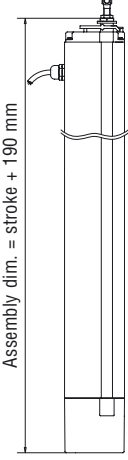
Assembly drawings

Top hung sashes 0-44094
Skylights 0-44095

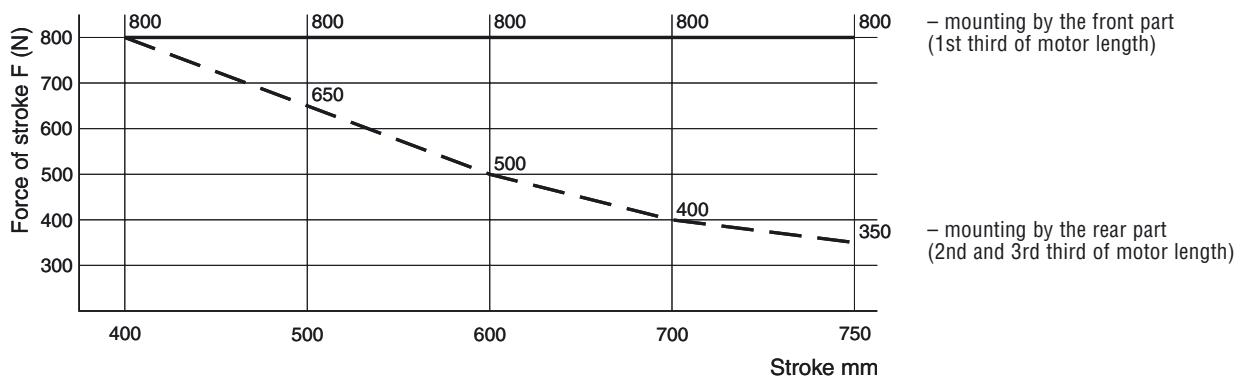
Load-displacement diagram



Stroke 300 to 750 mm, force of stroke 800 N – mounting by the rear part with eyescrew

| Application, illustration | Description | PU | Article No. | |
|--|---|----|----------------|--|
| Timber, PVC and aluminium windows  | Spindle drive ELTRAL SP 8-Z/230 Supply voltage/frequence 230 V | | | |
| | ELTRAL SP 8-Z/230 – types with various strokes | | | |
| | Stroke 300 mm | 1 | 9-42094-30-0-1 | |
| | Stroke 400 mm | 1 | 9-42094-40-0-1 | |
| | Stroke 500 mm | 1 | 9-42094-50-0-1 | |
| | Stroke 750 mm | 1 | 9-42094-75-0-1 | |
| | Technical description | | | |
| | – Maintenance-free linear spindle drive | | | |
| | – Resistant against humidity and corrosion | | | |
| | – Aluminium drive casing, EV 1 anodised | | | |
| – Suitable for tilt, top hung, side hung, horizontal and vertical pivot windows, light domes, sunblinds | | | | |
| – Durable, low noise spindle with self-locking | | | | |
| – Limit switch and electronic load interruption | | | | |
| Technical data | | | | |
| – Supply voltage/frequence | 230 V AC, 50 Hz | | | |
| – Current consumption | 0,15 A | | | |
| – Max. force of stroke | 800 N | | | |
| – Stress tested up to | 3500 N | | | |
| – Running time – ² / ₃ load | 7,0 mm/s | | | |
| – Intermittent duty ratio | 30% | | | |
| – Protection class | IP 54 | | | |
| – Ambient temperature | -5°C – 75°C | | | |
| – Connectable in parallel | up to 8 drives at the maximum | | | |
| – Minimum length of drive | 493 mm with stroke 300 mm | | | |
| – Connecting cable | 6 x 0,75 mm ² , approx. 1 m | | | |
| Assembly of ELTRAL SP 8-Z/230 | Mounting brackets | | | |
| | – Eyescrew – finish EV 1 colour | 1 | 9-40097-08-0-1 | |
| | – Support for sash F 11 | 1 | 9-39102-00-0-0 | |
| | Support for sash | | | |
| | – Support for sash F 10.6 | 1 | 9-39100-00-0-0 | |

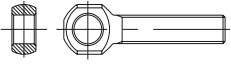
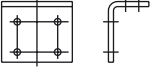


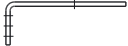
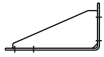

Load-displacement diagram



Supports for sash, mounting brackets, clamping block

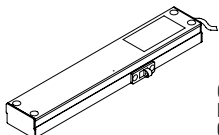
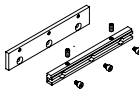
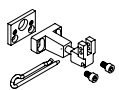
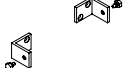

| Application, illustration | Description | PU | Article No. |
|---------------------------|---|----|----------------|
| | Support for sash F 10.6 – Aluminium Dimensions Width 60,0 mm Height 18,0 mm Depth 27,0 mm ELTRAL SP 5-Z/230, ELTRAL SP 8-Z/230 | 1 | 9-39100-00-0-0 |
| | Support for sash F 11 – finish EV 1 colour Dimensions Width 62,0 mm Height 17,0 mm Depth 37,0 mm ELTRAL SP 5-Z/230, ELTRAL SP 8-Z/230 | 1 | 9-39102-00-0-1 |
| | Mounting bracket K 82 – finish EV 1 colour Dimensions Width 68,0 mm Height 80,0 mm Depth 76,0 mm ELTRAL SP 5-Z/230, ELTRAL SP 8-Z/230 | 1 | 9-40153-00-0-1 |
| | Mounting bracket K 5 – finish EV 1 colour Dimensions Width 70,0 mm Height 50,0 mm Depth 50,0 mm ELTRAL SP 5-Z/230, ELTRAL SP 8-Z/230 | 1 | 9-39078-00-0-1 |
| | Mounting bracket K 7 – finish EV 1 colour Dimensions Width 70,0 mm Height 120,0 mm Depth 102,0 mm ELTRAL SP 5-Z/230, ELTRAL SP 8-Z/230 | 1 | 9-39079-00-0-1 |
| | Mounting bracket K 59 – clamp fixing, EV 1 colour Dimensions Width 56,0 mm Height 48,0 mm Depth 55,5 mm ELTRAL SP 5-Z/230, ELTRAL SP 8-Z/230 | 1 | 9-39081-00-0-1 |
| | Mounting bracket K 57 – clamp fixing, EV 1 colour Dimensions Width 56,0 mm Height 66,0 mm Depth 90,5 mm ELTRAL SP 5-Z/230, ELTRAL SP 8-Z/230 | 1 | 9-39082-00-0-1 |
| | Mounting bracket K 57.2 – clamp fixing, EV 1 colour Dimensions Width 56,0 mm Height 118,0 mm Depth 85,5 mm ELTRAL SP 5-Z/230, ELTRAL SP 8-Z/230 | 1 | 9-39083-00-0-1 |
| | SP-Clamping block, thick Dimensions Width 36,0 mm Height 20,0 mm Thickness 12,3 mm ELTRAL SP 5-Z/230, ELTRAL SP 8-Z/230 | 1 | 9-39093-10-0-0 |

Eyscrew, mounting bracket sash side

| Application, illustration | Description | PU | Article No. | | | | | |
|---|--|-------|----------------|----------|---------|----------|----------|--------|
|  | Eyscrew – finish EV 1 colour Dimensions | | | | | | | |
| | <table border="0"> <tr> <td></td> <td style="text-align: right;">Ø of eye</td> </tr> <tr> <td>M 8 x 40</td> <td style="text-align: right;">6,0 mm</td> </tr> <tr> <td>M 8 x 40</td> <td style="text-align: right;">8,0 mm</td> </tr> </table> | | Ø of eye | M 8 x 40 | 6,0 mm | M 8 x 40 | 8,0 mm | 1 1 |
| | Ø of eye | | | | | | | |
| M 8 x 40 | 6,0 mm | | | | | | | |
| M 8 x 40 | 8,0 mm | | | | | | | |
| ELTRAL SP 5-Z/230, ELTRAL SP 8-Z/230 | | | | | | | | |
|   | Mounting bracket, sash side K 21 – finish EV 1 colour Dimensions | 1 | 9-39088-00-0-1 | | | | | |
| | <table border="0"> <tr> <td>Width</td> <td style="text-align: right;">70,0 mm</td> </tr> <tr> <td>Height</td> <td style="text-align: right;">40,0 mm</td> </tr> <tr> <td>Depth</td> <td style="text-align: right;">60,0 mm</td> </tr> </table> Mounting bracket K 5 | Width | 70,0 mm | Height | 40,0 mm | Depth | 60,0 mm | |
| Width | 70,0 mm | | | | | | | |
| Height | 40,0 mm | | | | | | | |
| Depth | 60,0 mm | | | | | | | |
|   | Mounting bracket, sash side K 21 L – finish EV 1 colour Dimensions | 1 | 9-39089-00-0-1 | | | | | |
| | <table border="0"> <tr> <td>Width</td> <td style="text-align: right;">70,0 mm</td> </tr> <tr> <td>Height</td> <td style="text-align: right;">50,0 mm</td> </tr> <tr> <td>Depth</td> <td style="text-align: right;">140,0 mm</td> </tr> </table> Mounting bracket K 5 | Width | 70,0 mm | Height | 50,0 mm | Depth | 140,0 mm | |
| Width | 70,0 mm | | | | | | | |
| Height | 50,0 mm | | | | | | | |
| Depth | 140,0 mm | | | | | | | |
|   | Mounting bracket, sash side K 9 – finish EV 1 colour Dimensions | 1 | 9-39090-00-0-1 | | | | | |
| | <table border="0"> <tr> <td>Width</td> <td style="text-align: right;">50,0 mm</td> </tr> <tr> <td>Height</td> <td style="text-align: right;">50,0 mm</td> </tr> <tr> <td>Depth</td> <td style="text-align: right;">100,0 mm</td> </tr> </table> Mounting bracket K 57 Mounting bracket K 59 | Width | 50,0 mm | Height | 50,0 mm | Depth | 100,0 mm | |
| Width | 50,0 mm | | | | | | | |
| Height | 50,0 mm | | | | | | | |
| Depth | 100,0 mm | | | | | | | |

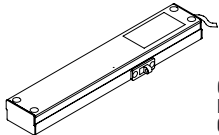
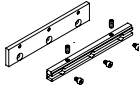
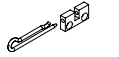

Stroke 200 and 250 mm, pushing force 200 N

Fitting requirements for tilt sashes from SH 600 mm

| Application, illustration | Tilt sash | Description | PU | Article No. |
|---|-------------------------------|---|--------|----------------------------------|
|  <p>Chain drive ELTRAL K 200/230 6-29252-**-0-*</p>  <p>Bag of fixing rail K-15091-00-0-6</p>  <p>Bag of tilt sash bracket K-15090-00-0-6</p>  <p>Bag of pivoting bearing K-15200-00-0-6 from SH 300 mm Assembly drawing 0-43749</p>  <p>Standard assembly drawing 0-43628</p> | 1 | Chain drive ELTRAL K 200/230 [1] Stroke 200 mm Stroke 250 mm | 1 1 | 6-29252-20-0-* 6-29252-25-0-* |
| | 1 | Bag of fixing rail alternatively: Bag of pivoting bearing | 1 | K-15091-00-0-6 |
| | 1 | Bag of pivoting bearing | 1 | K-15200-00-0-6 |
| | 1 | Bag of tilt sash bracket for tilt sashes opening inward | 1 | K-15090-00-0-6 |
| | Dimensions and weights | | | |
| Min. space requirement for assembly | | 31 mm | | |
| Max. size of sash | | 1,5 m ² | | |
| Max. weight of sash | | 80 kg | | |
| – Sash in vertical position | | | | |
| Sash overlap dim. "ü" | | | | |
| – Tilt sashes, timber and PVC | | 5-25 mm | | |
| – Tilt sashes, aluminium | | -14-25 mm | | |
| Technical data | | | | |
| – Pushing force/traction force | | 200 N | | |
| – Stroke | | 200/250 mm | | |
| – Pushing speed | | 10 mm/s | | |
| – Running time | | 20/25 sec. | | |
| – Nominal voltage | | 230 V | | |
| – Nominal current | | 0,14 A | | |
| – Nominal output | | 30 W | | |
| – Intermittent duty ratio | | 50 % | | |
| – Ambient temperature | | -5 to +50 °C | | |
| – Protection class | | IP 20 | | |
| – Connecting cable, fix | | 4 x 1 ² x 1000 mm | | |

[1] = Colour: 1 = EV 1, 5 = UC 5, 7 = white

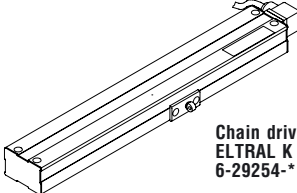
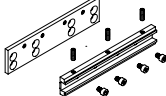
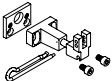
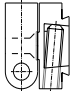
Fitting requirements for top hung sashes from SH 600 mm

| Application, illustration | Top hung | Description | PU | Article No. | |
|--|-------------------------------------|---|--------|----------------------------------|--|
|  <p>Chain drive ELTRAL K 200/230 6-29252-**-0-*</p>  <p>Bag of fixing rail K-15091-00-0-6</p>  <p>Bag of articulation for top hung sash K-15092-00-0-6</p>  <p>Standard assembly drawing 0-43628</p> | 1 | Chain drive ELTRAL K 200/230 [1] Stroke 200 mm Stroke 250 mm | 1 1 | 6-29252-20-0-* 6-29252-25-0-* | |
| | 1 | Bag of fixing rail | 1 | K-15091-00-0-6 | |
| | 1 | Bag of articulation for top hung sashes opening outward | 1 | K-15092-00-0-6 | |
| | Dimensions and weights | | | | |
| | Min. space requirement for assembly | | 31 mm | | |
| Max. size of sash | | 1,5 m ² | | | |
| Max. weight of sash | | 80 kg | | | |
| – Sash in vertical position | | | | | |
| Sash backset, dim. "y" | | | | | |
| – Top hung sashes, timber and PVC | | 3-25 mm | | | |
| – Top hung sashes, aluminium | | 3-25 mm | | | |
| Technical data | | | | | |
| – Pushing force/traction force | | 200 N | | | |
| – Stroke | | 200/250 mm | | | |
| – Pushing speed | | 10 mm/s | | | |
| – Running time | | 20/25 sec. | | | |
| – Nominal voltage | | 230 V | | | |
| – Nominal current | | 0,14 A | | | |
| – Nominal output | | 30 W | | | |
| – Intermittent duty ratio | | 50 % | | | |
| – Ambient temperature | | -5 to +50 °C | | | |
| – Protection class | | IP 20 | | | |
| – Connecting cable, fix | | 4 x 1 ² x 1000 mm | | | |

[1] = Colour: 1 = EV 1, 5 = UC 5, 7 = white

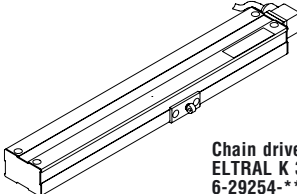
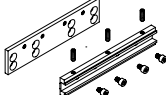

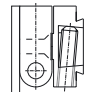
Stroke 280 and 380 mm, pushing force 350 N

Fitting requirements for tilt sashes from SH 900 mm

| Application, illustration | Tilt sash | Description | PU | Article No. |
|---|-------------------------------|--|-------------------------------------|----------------------------------|
|  <p>Chain drive ELTRAL K 350/230 6-29254-**-0-*</p>  <p>Bag of fixing rail K-15093-00-0-6</p>  <p>Bag of tilting sash bracket K-15090-00-0-6</p>  <p>Bag of pivoting rail K-15481-00-0-6 from SH 350 mm Assembly drawing 0-43917</p> <p>Standard assembly drawing 0-43629</p> | 1 | Chain drive ELTRAL K 350/230 [1] Stroke 280 mm Stroke 380 mm | 1 1 | 6-29254-28-0-* 6-29254-38-0-* |
| | 1 | Bag of fixing rail alternatively: Bag of pivoting rail | 1 | K-15093-00-0-6 |
| | 1 | Bag of pivoting rail | 1 | K-15481-00-0-6 |
| | 1 | Bag of tilt sash bracket for tilt sashes opening inward | 1 | K-15090-00-0-6 |
| | Dimensions and weights | | Min. space requirement for assembly | 43 mm |
| | | Max. size of sash | 1,5 m ² | |
| | | Max. weight of sash | | |
| | | – Sash in vertical position | 120 kg | |
| | | Sash backset, dim. "y" | | |
| | | – Tilt sashes, timber and PVC | –5-28 mm | |
| | | – Tilt sashes, aluminium | 0-30 mm | |
| Technical data | | – Pushing force/traction force | 350 N | |
| | | – Stroke | 280/380 mm | |
| | | – Pushing speed | 15 mm/s | |
| | | – Running time | 19/25 sec. | |
| | | – Nominal voltage | 230 V | |
| | | – Nominal current | 0,5 A | |
| | | – Nominal output | 110 W | |
| | | – Intermittent duty ratio | 20 % | |
| | | – Ambient temperature | –5 to +50 °C | |
| | | – Protection class | IP 22 | |
| | | – Connecting cable with plug | 4 x 1 ² x 1000 mm | |

[1] = Colour: 1 = EV 1, 5 = UC 5, 7 = white

Fitting requirements for top hung sashes from SH 900 mm

| Application, illustration | Top hung | Description | PU | Article No. |
|--|----------|---|------------------------------|----------------------------------|
|  <p>Chain drive ELTRAL K 350/230 6-29254-**-0-*</p>  <p>Bag of fixing rail K-15093-00-0-6</p>  <p>Bag of articulation for top hung sash K-15092-00-0-6</p>  <p>Bag of pivoting rail K-15481-00-0-6 from SH 350 mm</p> <p>Standard assembly drawing 0-43629</p> | 1 | Chain drive ELTRAL K 350/230 [1] Stroke 280 mm Stroke 380 mm | 1 1 | 6-29254-28-0-* 6-29254-38-0-* |
| | 1 | Bag of fixing rail alternatively: Bag of pivoting rail | 1 | K-15093-00-0-6 |
| | 1 | Bag of pivoting rail | 1 | K-15481-00-0-6 |
| | 2 | Bag of articulation for top hung sash for top hung outward opening sashes Dim. y = 12-19 mm (timber and PVC) | 1 | K-15092-00-0-6 |
| | 1 | Dim. y = 4-11 mm (aluminium) | | |
| Dimensions and weights | | Min. space requirement for assembly | 43 mm | |
| | | Max. size of sash | 1,5 m ² | |
| | | Max. weight of sash | | |
| | | – Sash in vertical position | 120 kg | |
| | | Sash backset, dim. "y" | | |
| | | – Top hung sashes, timber and PVC | 12-19 mm | |
| | | – Top hung sashes, aluminium | 4-11 mm | |
| Technical data | | – Pushing force/traction force | 350 N | |
| | | – Stroke | 280/380 mm | |
| | | – Pushing speed | 15 mm/s | |
| | | – Running time | 19/25 sec. | |
| | | – Nominal voltage | 230 V | |
| | | – Nominal current | 0,5 A | |
| | | – Nominal output | 110 W | |
| | | – Intermittent duty ratio | 20 % | |
| | | – Ambient temperature | –5 to +50 °C | |
| | | – Protection class | IP 22 | |
| | | – Connecting cable with plug | 2 x 1 ² x 1000 mm | |

[1] = Colour: 1 = EV 1, 5 = UC 5, 7 = white

Stroke 420 and 600 mm, pushing force 400 N

Fitting requirements for tilt, vertical pivot and horizontal pivot sashes from SH 1100 mm

| Application, illustration | Tilt sash | Description | PU | Article No. | |
|---|-----------|---|---|-------------|----------------|
| <p>Chain drive ELTRAL K 400/230 6-29256-**-0-*</p> <p>Bag of fixing rail K-15093-00-0-6</p> <p>Bag of tilt sash bracket K-15094-00-0-6 K-15095-00-0-6</p> <p>Bag of pivoting bearing K-15199-00-0-6 from SH 550 mm Assembly drawing 0-43747</p> <p>Bag of pivoting rail K-15481-00-0-6 from SH 500 mm Assembly drawing 0-43918</p> <p>Standard assembly drawing 0-43630</p> | 1 | Chain drive ELTRAL K 400/230 [1] | | | |
| | | | Stroke 420 mm | 1 | 6-29256-42-0-* |
| | | | Stroke 600 mm | 1 | 6-29256-60-0-* |
| | | 1 | Bag of fixing rail alternatively: | 1 | K-15093-00-0-6 |
| | | 1 | Bag of pivoting bearing | 1 | K-15199-00-0-6 |
| | | 1 | Bag of pivoting rail | 1 | K-15481-00-0-6 |
| | | 1 | Bag of tilt sash bracket for tilt sashes opening inward Dim. ü = 14-24 mm (timber and PVC) Dim. ü = 5-15 mm (aluminium) | 1 | K-15094-00-0-6 |
| | | | | 1 | K-15095-00-0-6 |
| | | | Dimensions and weights | | |
| | | | Min. space requirement for assembly | 53 mm | |
| | | Max. size of sash | 1,65 m ² | | |
| | | Max. weight of sash | | | |
| | | - Sash in vertical position | 100 kg | | |
| | | - Sash inclined up to 30° | 65 kg | | |
| | | - Skylight 0 to 60° | 50 kg | | |
| | | Sash overlap dim. "ü" | | | |
| | | - Tilt sashes, timber and PVC | 14-24 mm | | |
| | | - Tilt sashes, aluminium | 5-15 mm | | |
| | | Technical data | | | |
| | | - Pushing force/traction force | 400 N | | |
| | | - Stroke | 420/600 mm | | |
| | | - Pushing speed | 20 mm/s | | |
| | | - Running time | 21/30 sec. | | |
| | | - Nominal voltage | 230 V | | |
| | | - Nominal current | 0,7 A | | |
| | | - Nominal output | 160 W | | |
| | | - Intermittent duty ratio | 20 % | | |
| | | - Ambient temperature | -10 to +50 °C | | |
| | | - Protection class | IP 22 | | |
| | | - Connecting cable with plug | 4 x 1 ² x 1000 mm | | |

[1] = Colour: 1 = EV 1, 5 = UC 5, 7 = white

Fitting requirements for top hung, vertical pivot and horizontal pivot sashes from SH 1100 mm

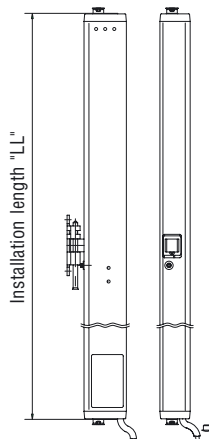
| Application, illustration | Top hung | Description | PU | Article No. | |
|---|----------|---|--|-------------|----------------|
| <p>Chain drive ELTRAL K 400/230 6-29256-**-0-*</p> <p>Bag of fixing rail K-15093-00-0-6</p> <p>Bag of articulation for top hung sash K-15092-00-0-6</p> <p>Beutel Schwenkschiene K-15481-00-0-6 ab FH 350 mm</p> <p>Standard assembly drawing 0-43630-</p> | 1 | Chain drive ELTRAL K 400/230 [1] | | | |
| | | | Stroke 420 mm | 1 | 6-29256-42-0-* |
| | | | Stroke 600 mm | 1 | 6-29256-60-0-* |
| | | 1 | Bag of fixing rail alternatively: | 1 | K-15093-00-0-6 |
| | | 1 | Bag of pivoting rail | 1 | K-15481-00-0-6 |
| | | | Bag of articulation for top hung sashes opening outward Dim. y = 9-19 mm (timber and PVC) Dim. y = 1-11 mm (aluminium) | 1 | K-15092-00-0-6 |
| | | 2 | | | |
| | | 1 | | | |
| | | | Dimensions and weights | | |
| | | | Min. space requirement for assembly | 53 mm | |
| | | Max. size of sash | 1,65 m ² | | |
| | | Max. weight of sash | | | |
| | | - Sash in vertical position | 100 kg | | |
| | | - Sash inclined up to 30° | 65 kg | | |
| | | - Skylight 0 to 60° | 50 kg | | |
| | | Sash backset, dim. "y" | | | |
| | | - Top hung sashes, timber and PVC | 9-19 mm | | |
| | | - Top hung sashes, aluminium | 1-11 mm | | |
| | | Technical data | | | |
| | | - Pushing force/traction force | 400 N | | |
| | | - Stroke | 420/600 mm | | |
| | | - Pushing speed | 20 mm/s | | |
| | | - Running time | 21/30 sec. | | |
| | | - Nominal voltage | 230 V | | |
| | | - Nominal current | 0,7 A | | |
| | | - Nominal output | 160 W | | |
| | | - Intermittent duty ratio | 20 % | | |
| | | - Ambient temperature | -10 to +50 °C | | |
| | | - Protection class | IP 22 | | |
| | | - Connecting cable with plug | 4 x 1 ² x 1000 mm | | |

[1] = Colour: 1 = EV 1, 5 = UC 5, 7 = white

Chain drives ELTRAL KSA/230 without signalling switch "Closed", stroke 250 to 1000 mm

| Application, illustration | Description | PU | Article No. |
|---------------------------|-------------|----|-------------|
|---------------------------|-------------|----|-------------|

Timber, PVC and aluminium windows



| Chain drive ELTRAL KSA/230 without signalling switch "Closed", supply voltage 230 V AC | | | | | PU | Article No. | Operating methods single |
|--|-----------|----------|------------|----------------|----|--------------------|-----------------------------|
| Type | Stroke mm | Thrust N | Traction N | Length "LL" mm | | | |
| KSA 250 | 250 | 600 | 600 | 537 | 1 | 9-42027-25-0-1 | |
| KSA 400 | 400 | 600 | 600 | 613 | 1 | 9-42027-40-0-1 | |
| KSA 500 | 500 | 400 | 600 | 715 | 1 | 9-42027-50-0-1 | |
| KSA 600 | 600 | 300 | 600 | 715 | 1 | 9-42027-60-0-1 | |
| KSA 800 | 800 | 200 | 600 | 816 | 1 | 9-42027-80-0-1 [1] | |
| KSA 1000 | 1000 | 100 | 600 | 918 | 1 | 9-42027-01-0-1 [2] | |

| Chain drive ELTRAL KSA/230 without signalling switch "Closed", supply voltage 230 V AC | | | | | PU | Article No. | Operating methods dubble | triple |
|--|-----------|----------|------------|----------------|----|--------------------|-----------------------------|--------|
| Type | Stroke mm | Thrust N | Traction N | Length "LL" mm | | | | |
| KSA 250 | 250 | 600 | 600 | 537 | 1 | 9-43498-25-0-1 | 9-43499-25-0-1 | |
| KSA 400 | 400 | 600 | 600 | 613 | 1 | 9-43498-40-0-1 | 9-43499-40-0-1 | |
| KSA 500 | 500 | 400 | 600 | 715 | 1 | 9-43498-50-0-1 | 9-43499-50-0-1 | |
| KSA 600 | 600 | 300 | 600 | 715 | 1 | 9-43498-60-0-1 | 9-43499-60-0-1 | |
| KSA 800 | 800 | 200 | 600 | 816 | 1 | 9-43498-80-0-1 [1] | 9-43499-80-0-1 [1] | |
| KSA 1000 | 1000 | 100 | 600 | 918 | 1 | 9-43498-01-0-1 [2] | 9-43499-01-0-1 [2] | |

- Technical description**
- Chain drive for high pressure loads
 - Soft load interruption via integrated microcontroller module
 - Stainless steel chain
 - Stepless control of running smoothness with small load due to adjustable chain tension
 - Low power consumption
 - Mechanic release of chain for assembly or disassembly
 - Preferably for tilt sashes, sash height depending on type of mounting bracket
 - Aluminium drive casing, EV 1 anodised
 - Cable extension not possible!

- Technical data**
- Supply voltage/frequency 230 V AC, 50 Hz
 - Current consumption 0,2 A
 - Running time - 2/3 load 10,0 mm/s
 - Intermittent duty ratio 30%
 - Protection class IP 32
 - Ambient temperature -5°C - 75°C
 - Connectable in parallel up to 8 drives at the maximum
 - Connecting cable 6 x 0,5 mm², approx. 5 m

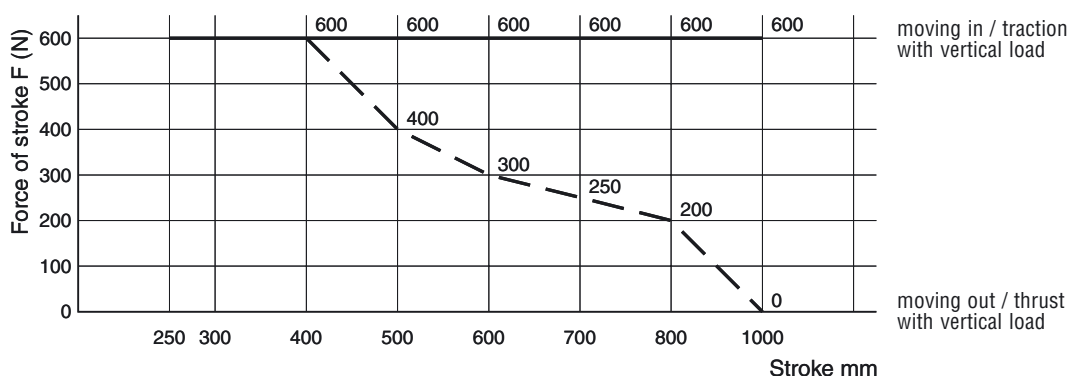
- Included in the delivery:**
- Support for sash with packings** 1 9-42213-00-0-0
 - 2 packings of 3 mm, 3 packings of 5 mm
 - Support for sash with locking pin
 - Spacer ring, release plug and various dummy plugs
 - Self-adhesive warning symbol

- Release plug KSA** 1 9-42216-00-0-0
 - for the mechanic release of the chain for assembly or disassembly

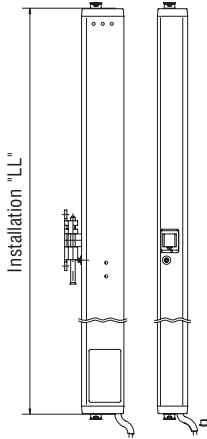
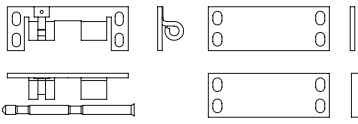
[1] = preferably for tilt sashes
[2] = only for tilt sashes

Note:
- All KSA drives are delivered without mounting brackets
- Cable extension is not possible.

Load-displacement diagram



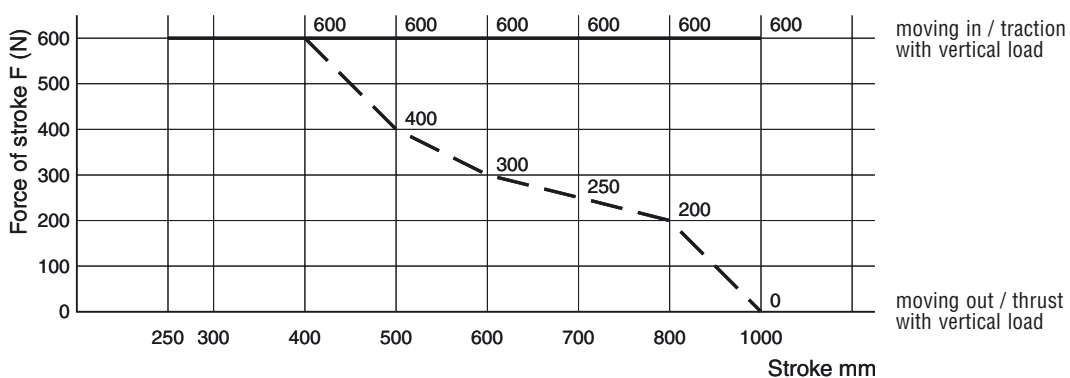
Chain drives ELTRAL KSA/230 with signalling switch "Closed", stroke 250 to 600 mm

| Application, illustration | Description | PU | Article No. | | | | | | | | | | | | | | | | | | | | | | | | | | | | | | | | | | |
|---|--|----------|----------------|----------------|------------|----------------|----|-------------|----------------|-----|-----|-----|-----|---|----------------|----------------|-----|-----|-----|-----|---|----------------|----------------|-----|-----|-----|-----|---|----------------|----------------|-----|-----|-----|-----|---|----------------|--|
| Timber, PVC and aluminium windows  | Chain drive ELTRAL KSA/230 with signalling switch "Closed", supply voltage 230 V AC | | | | | | | | | | | | | | | | | | | | | | | | | | | | | | | | | | | | |
| | <table border="1"> <thead> <tr> <th>Type</th> <th>Stroke mm</th> <th>Thrust N</th> <th>Traction N</th> <th>Length "LL" mm</th> <th>PU</th> <th>Article No.</th> </tr> </thead> <tbody> <tr> <td>KSA 250</td> <td>250</td> <td>600</td> <td>600</td> <td>537</td> <td>1</td> <td>9-42028-25-0-1</td> </tr> <tr> <td>KSA 400</td> <td>400</td> <td>600</td> <td>600</td> <td>613</td> <td>1</td> <td>9-42028-40-0-1</td> </tr> <tr> <td>KSA 500</td> <td>500</td> <td>400</td> <td>600</td> <td>715</td> <td>1</td> <td>9-42028-50-0-1</td> </tr> <tr> <td>KSA 600</td> <td>600</td> <td>300</td> <td>600</td> <td>715</td> <td>1</td> <td>9-42028-60-0-1</td> </tr> </tbody> </table> <p>Technical description</p> <ul style="list-style-type: none"> - Chain drive for high pressure loads - Soft load interruption via integrated microcontroller module - Stainless steel chain - Stepless control of running smoothness with small load due to adjustable chain tension - Low power consumption - Mechanic release of chain for assembly or disassembly - Preferably for tilt sashes, sash height depending on type of mounting bracket - Aluminium drive casing, EV 1 anodised - Cable extension not possible! <p>Technical data</p> <ul style="list-style-type: none"> - Supply voltage/frequence 230 V AC, 50 Hz - Current consumption 0,2 A - Running time – ²/₃ load 10,0 mm/s - Intermittent duty ratio 30% - Protection class IP 32 - Ambient temperature -5°C – 75°C - Connectable in parallel up to 8 drives at the maximum - Connecting cable 6 x 0,5 mm², approx. 5 m <p>Included in the delivery:</p> <ul style="list-style-type: none"> - Support for sash with packings <ul style="list-style-type: none"> - 2 packings of 3 mm, 3 packings of 5 mm - Support for sash with locking pin - Spacer ring, release plug and various dummy plugs - Self-adhesive warning symbol <p>Release plug KSA</p> <ul style="list-style-type: none"> - for the mechanic release of the chain for assembly or disassembly | Type | Stroke mm | Thrust N | Traction N | Length "LL" mm | PU | Article No. | KSA 250 | 250 | 600 | 600 | 537 | 1 | 9-42028-25-0-1 | KSA 400 | 400 | 600 | 600 | 613 | 1 | 9-42028-40-0-1 | KSA 500 | 500 | 400 | 600 | 715 | 1 | 9-42028-50-0-1 | KSA 600 | 600 | 300 | 600 | 715 | 1 | 9-42028-60-0-1 | |
| Type | Stroke mm | Thrust N | Traction N | Length "LL" mm | PU | Article No. | | | | | | | | | | | | | | | | | | | | | | | | | | | | | | | |
| KSA 250 | 250 | 600 | 600 | 537 | 1 | 9-42028-25-0-1 | | | | | | | | | | | | | | | | | | | | | | | | | | | | | | | |
| KSA 400 | 400 | 600 | 600 | 613 | 1 | 9-42028-40-0-1 | | | | | | | | | | | | | | | | | | | | | | | | | | | | | | | |
| KSA 500 | 500 | 400 | 600 | 715 | 1 | 9-42028-50-0-1 | | | | | | | | | | | | | | | | | | | | | | | | | | | | | | | |
| KSA 600 | 600 | 300 | 600 | 715 | 1 | 9-42028-60-0-1 | | | | | | | | | | | | | | | | | | | | | | | | | | | | | | | |
|  | <p>Support for sash with packings</p> <ul style="list-style-type: none"> - 2 packings of 3 mm, 3 packings of 5 mm - Support for sash with locking pin - Spacer ring, release plug and various dummy plugs - Self-adhesive warning symbol | 1 | 9-42213-00-0-0 | | | | | | | | | | | | | | | | | | | | | | | | | | | | | | | | | | |
| | <p>Release plug KSA</p> <ul style="list-style-type: none"> - for the mechanic release of the chain for assembly or disassembly | 1 | 9-42216-00-0-0 | | | | | | | | | | | | | | | | | | | | | | | | | | | | | | | | | | |

Note:

- All KSA drives are delivered without mounting brackets
- Cable extension is not possible.

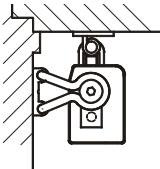
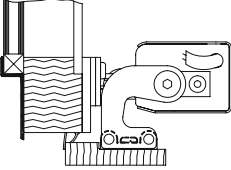
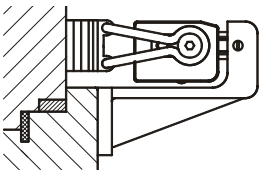
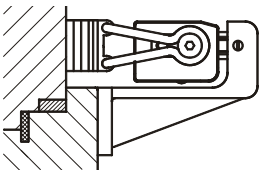
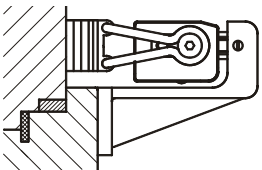
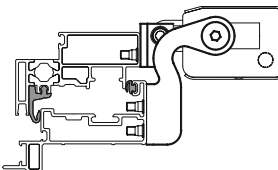
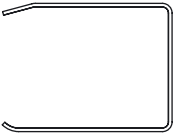

Load-displacement diagram



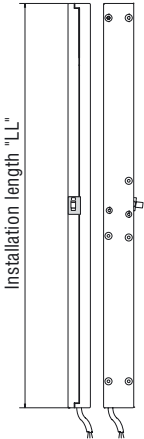
Support for sash, mounting bracket kits

| Application, illustration | Description | PU | Article No. |
|---|---|----|----------------|
| Accessory for chain drive ELTRAL KSA/230 | Support for sash F 14 consisting of – 1 support for sash F 14 (with threaded pin M 6) – 2 packings, 3 mm – 3 packings, 5 mm | 1 | 9-42102-00-0-0 |
| Mounting of chain drive ELTRAL KSA/230 | Mounting bracket kit F for tilt sashes with 28 mm frame width and overlap thickness 10 mm consisting of – 1 support for sash F 14 (with threaded pin M 6) – 1 packing (3 mm) – 2 plates (lh and rh) – 2 countersunk head screws M 8 – 2 angles (lh and rh) | 1 | 9-42217-00-0-0 |
| | Set of shims – for overlap thicknesses 0 – 9,5 mm and 10,5 – 21 mm | 1 | 9-42218-00-0-0 |
| Mounting of chain drive ELTRAL KSA/230 | Mounting bracket kit A for KSA drives without cover profile – universal sashes with min. frame width 30 mm – sash mounting (sash opening inward) consisting of – 2 wire clamp holders 50 x 35,3 – 2 short wire clamps 50,7 x 26 – 2 drilling jigs | 1 | 9-42219-00-0-0 |
| Mounting of chain drive ELTRAL KSA/230 | Mounting bracket kit 79 A for KSA drives with cover profile – universal sashes with min. frame width 30 mm – sash mounting (sash opening inward) – suitable for KSA – Solo and KSA – TWIN consisting of – 2 wire clamp holders 50 x 35,3 – 2 mounting brackets 79 A (lh and rh) – 2 drilling jigs | 1 | 9-42220-00-0-0 |
| Mounting of chain drive ELTRAL KSA/230 | Mounting bracket kit B for KSA drives without cover profile – universal sashes with min. frame width 50 mm – sash mounting (sash opening inward) consisting of – 2 wire clamp holders 50 x 35,3 – 2 long wire clamps 71,4 x 26 – 2 drilling jigs | 1 | 9-42221-00-0-0 |
| Mounting of chain drive ELTRAL KSA/230 | Mounting bracket kit 79 B for KSA drives with cover profile – universal sashes with min. frame width 50 mm – sash mounting (sash opening inward) – suitable for KSA – Solo and KSA – TWIN consisting of – 2 wire clamp holders 50 x 35,3 – 2 mounting brackets 79 B (lh and rh) – 2 drilling jigs | 1 | 9-42222-00-0-0 |
| Mounting of chain drive ELTRAL KSA/230 | Mounting bracket kit C for KSA drives without cover profile – universal sashes and frames – individual application consisting of – 2 wire clamp holders 33,7 x 11 – 2 long wire clamps 71,4 x 26 – 1 drilling jig | 1 | 9-42223-00-0-0 |

Mounting bracket kits, KSA cover profile kit

| Application, illustration | Description | PU | Article No. |
|---|--|--------|--------------------------------|
| Mounting of chain drive ELTRAL KSA/230  | Mounting bracket kit E for KSA drives without cover profile – universal sashes and frames – individual application <hr/> consisting of – 2 wire clamp holders 33,7 x 11 – 2 short wire clamps 50,7 x 26 – 1 drilling jig | 1 | 9-42224-00-0-0 |
| Mounting of chain drive ELTRAL KSA/230  | Mounting bracket kit K 84 for KSA drives with cover profile – e.g. for skylights or individual applications – for frame mounting (sash opening outward) – suitable for KSA – Solo and KSA – TWIN <hr/> consisting of: – 2 wire clamp holders 33,7 x 11 – 2 mounting brackets K 84 (lh and rh) – 1 mounting plate – fixing screws – 1 drilling jig | 1 | 9-42225-00-0-0 |
| Mounting of chain drive ELTRAL KSA/230  | Mounting plate for TWIN mounting | 1 | 9-42490-00-0-0 |
| Mounting of chain drive ELTRAL KSA/230  | Mounting bracket kit D for KSA drives without cover profile – frame width min. 45 mm – for frame mounting (sash opening inward) – suitable for KSA – Solo and KSA – TWIN <hr/> consisting of: – 4 packings 38 x 33,5 x 3 mm – 6 packings 38 x 33,5 x 5 mm – 2 wire clamp holders 33,7 x 11 – 2 long wire clamps 71,4 x 26 – 1 mounting bracket Z with shoulder stud M 6 and fixing hole covers – 1 drilling jig | 1 | 9-42226-00-0-0 |
| Mounting of chain drive ELTRAL KSA/230  | Mounting bracket Z for TWIN mounting | 1 | 9-42491-00-0-0 |
| Mounting of chain drive ELTRAL KSA/230  | Mounting bracket kit K 87 for KSA drives for Schüco system FW 50+ – mounting with and without cover profile – for frame mounting (sash opening outward) <hr/> consisting of: – 2 mounting brackets K 87 (lh and rh) – support for sash | 1 | 9-42228-00-0-0 |
| Chain drives ELTRAL KSA/230 Cover profile KSA  | made from anodised aluminium, provides for: – protection against dirt – individual colouring – sophisticated appearance Length mm <hr/> 1450 3000 | 1 1 | 942211-00-0-* 942212-00-0-* |
| Cover profile KSA  | KSA cover profile kit consisting of: – 1 lateral cover, lh – 1 lateral cover, rh – 2 spacers – 4 adhesive points – 1 sealing plug (for cable outlet) | 1 | 942214-00-0-* |

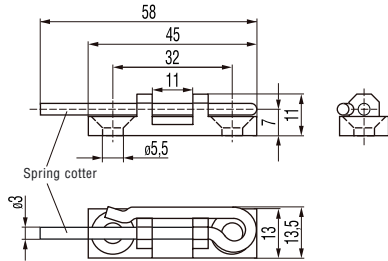
Chain drives ELTRAL KSL MP/230, stroke 200 to 400 mm

| Application, illustration | Description | PU | Article No. | | | | | | | | | | | | | | | | | | | | | | | | | |
|---|---|-------------|---------------|-------------------|---------------|-------------------|-------------------|-----|-----|-----|-----|-------------------|-----|-----|-----|-----|-------------------|-----|-----|-----|-----|--|---|----------------|---|----------------|---|----------------|
| Timber, PVC and aluminium windows  | Chain drive ELTRAL KSL MP/230 Supply voltage 230 V AC | | | | | | | | | | | | | | | | | | | | | | | | | | | |
| | <table border="1"> <thead> <tr> <th>Type</th> <th>Stroke mm</th> <th>Thrust N</th> <th>Traction N</th> <th>Length "LL" mm</th> </tr> </thead> <tbody> <tr> <td>KSL MP 200</td> <td>200</td> <td>250</td> <td>250</td> <td>560</td> </tr> <tr> <td>KSL MP 300</td> <td>300</td> <td>250</td> <td>250</td> <td>560</td> </tr> <tr> <td>KSL MP 400</td> <td>400</td> <td>250</td> <td>250</td> <td>560</td> </tr> </tbody> </table> | Type | Stroke mm | Thrust N | Traction N | Length "LL" mm | KSL MP 200 | 200 | 250 | 250 | 560 | KSL MP 300 | 300 | 250 | 250 | 560 | KSL MP 400 | 400 | 250 | 250 | 560 | <table border="1"> <tbody> <tr> <td>1</td> <td>9-42153-20-0-1</td> </tr> <tr> <td>1</td> <td>9-42153-30-0-1</td> </tr> <tr> <td>1</td> <td>9-42153-40-0-1</td> </tr> </tbody> </table> | 1 | 9-42153-20-0-1 | 1 | 9-42153-30-0-1 | 1 | 9-42153-40-0-1 |
| Type | Stroke mm | Thrust N | Traction N | Length "LL" mm | | | | | | | | | | | | | | | | | | | | | | | | |
| KSL MP 200 | 200 | 250 | 250 | 560 | | | | | | | | | | | | | | | | | | | | | | | | |
| KSL MP 300 | 300 | 250 | 250 | 560 | | | | | | | | | | | | | | | | | | | | | | | | |
| KSL MP 400 | 400 | 250 | 250 | 560 | | | | | | | | | | | | | | | | | | | | | | | | |
| 1 | 9-42153-20-0-1 | | | | | | | | | | | | | | | | | | | | | | | | | | | |
| 1 | 9-42153-30-0-1 | | | | | | | | | | | | | | | | | | | | | | | | | | | |
| 1 | 9-42153-40-0-1 | | | | | | | | | | | | | | | | | | | | | | | | | | | |
| | Technical description High-performance chain drive – For SOLO application preferably on side hung, tilt and top hung outward opening sashes – Suitable for installation in the profile and concealed assembly – Electronically controlled soft load interruption – Casing of zinc die cast, plastics coated (RAL 9006) – Reinforced sidebow chain, stainless steel – Cable extension and stroke reduction not possible | | | | | | | | | | | | | | | | | | | | | | | | | | | |
| | Technical data – Supply voltage/frequence 230 V AC, 50 Hz – Current consumption max. 0,2 A – Running time – ² /3 load 7,0 mm/s – Intermittent duty ratio 25 % – Protection class IP 32 – Ambient temperature -5°C bis +75°C – Width 560 mm – Height 30 mm – Depth 42 mm – Connecting cable 4 x 0,75 mm ² , ca. 3 m | | | | | | | | | | | | | | | | | | | | | | | | | | | |
| Assembly of ELTRAL KSL MP/24 | Mounting accessories Mounting brackets and other accessories for ELTRAL KSL MP/230 are to be ordered separately. See „Accessories for chain drives ELTRAL KSL“. | | | | | | | | | | | | | | | | | | | | | | | | | | | |

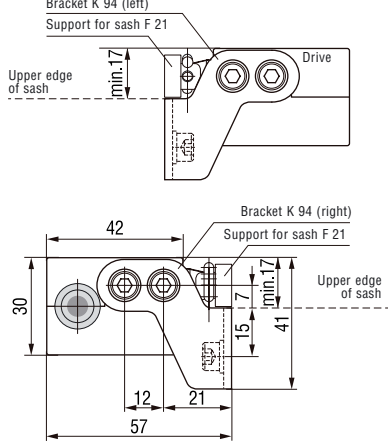
Note:
 – All KSL drives are delivered without mounting brackets
 – Cable extension is not possible

Support for sash, mounting bracket kits

| Illustration | Description | PU | Article No. |
|--|---|----|----------------|
| Mounting of chain drive ELTRAL KSL MP/230 | Support for sash F 21 – with spring cotter | 1 | 9-42908-00-0-0 |

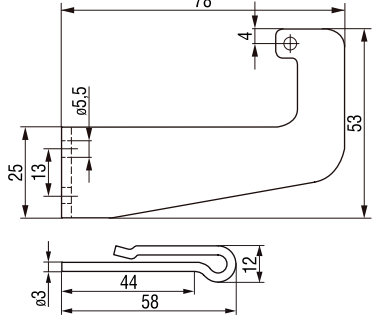


| | | | |
|--|--|---|----------------|
| Mounting of chain drive ELTRAL KSL MP/230 | Mounting bracket kit K 94 [1] for tilt sashes with min. height 400 mm / stroke 400 | 1 | 9-42909-00-0-0 |
|--|--|---|----------------|

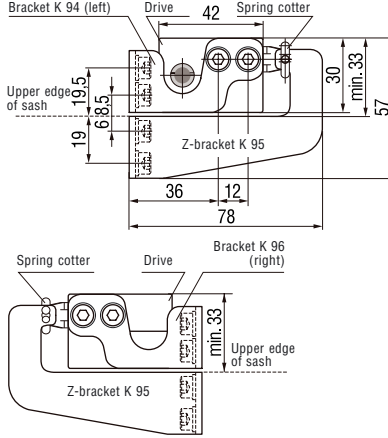


consisting of:
 - 2 brackets K 94 (lh and rh)
 - 4 cylinder head screws M5x10
 - 4 washers A5,3

| | | | |
|--|--|---|----------------|
| Mounting of chain drive ELTRAL KSL MP/230 | Z-bracket K 95 – with spring cotter for tilt sashes with min. height 400 mm / stroke 400 | 1 | 9-42910-00-0-0 |
|--|--|---|----------------|



| | | | |
|--|--|---|----------------|
| Mounting of chain drive ELTRAL KSL MP/230 | Mounting bracket kit K 96 [2] for tilt sashes with min. height 400 mm / stroke 400 | 1 | 9-42911-00-0-0 |
|--|--|---|----------------|



consisting of:
 - 2 brackets K 96 (lh and rh)
 - 4 cylinder head screws M5x10
 - 4 washers A5,3

[1] For the assembly of chain drive ELTRAL KSL, support for sash F 21 is required which has to be ordered separately.
 [2] For the assembly of chain drive ELTRAL KSL, Z-bracket K 95 is required which has to be ordered separately.

Drilling jigs and auxiliary tools – VENTUS F 200

| Application | Description | PU | Article No. |
|---|---|---|----------------|
| Tilt windows | Drilling jigs and auxiliary tools | | |
| | Drilling jig for F 200 with angular sash bracket or angular sash bracket standard | 1 | 6-29410-30-0-9 |
| | Drilling jig for F 200 with angular sash bracket, angular sash bracket standard or flat sash bracket | 1 | 6-29411-00-0-9 |
| | Drilling jig for F 200 with angular sash bracket or angular sash bracket standard with long drill bushing for big sash overlap | 1 | 6-33234-30-0-9 |
| | Drilling jig for F 200 with angular sash bracket, angular sash bracket standard or flat sash bracket with long drill bushing for big sash overlap | 1 | 6-33235-00-0-9 |
| | Drilling jig to couple for F 200 with angular sash bracket or angular sash bracket standard | 1 | 6-29474-01-0-9 |
| | Drilling jig to couple for F 200 with angular sash bracket, angular sash bracket standard or flat sash bracket | 1 | 6-29474-02-0-9 |
| | Drilling jig to couple for F 200 with angular sash bracket or angular sash bracket standard with long drill bushing for big sash overlap | 1 | 6-33236-01-0-9 |
| | Drilling jig to couple for F 200 with angular sash bracket, angular sash bracket standard or flat sash bracket with long drill bushing for big sash overlap | 1 | 6-33236-02-0-9 |
| | Drilling jig for F 200 with sash bracket, fitting groove | 1 | 6-33615-00-0-9 |
| | Drilling jig for lever handle VENTUS F 200 | 1 | 9-30911-00-0-1 |
| | Drilling jig for additional lockings, horizontal and vertical | 1 | 9-29311-00-0-1 |
| | Drilling jig for arch and segmental arch 1 stay | 1 | 9-39659-00-0-0 |
| | Drilling jig for articulated sash bracket | 1 | 6-29650-00-0-1 |
| | Top hung windows | Drilling jig for F 200 outward opening Stay and angular sash bracket dim. Y = 0-40 mm | 1 |
| Drilling jig angle F 200 outward opening Angular sash bracket dim. Y = 41-75 mm | | 1 | 6-29583-00-0-0 |

Drilling jigs – VENTUS F 300

| Application | Description | PU | Article No. |
|---------------------|---|----|----------------|
| Tilt windows | Drilling jigs | | |
| | Drilling jig for corner transmission, Timber and PVC | 1 | 6-26980-00-0-0 |
| | Drilling jig for stay and lever handle | 1 | 6-26981-00-0-0 |
| | Drilling jig for lever handle VENTUS F 300 | 1 | 9-35619-00-0-1 |
| | Drilling jig for additional lockings, horizontal and vertical | 1 | 6-27631-00-0-1 |

Drilling jigs – vertical and corner gears

| Application | Description | PU | Article No. |
|-----------------------|---|----|----------------|
| Articulated crank rod | Drilling jigs Drilling jig for crank rod | 1 | 6-22276-00-0-0 |
| Corner gears | Drilling jig for corner gears – VENTUS F 200 Drilling Ø 3,0 mm | 1 | 6-25841-02-0-0 |
| | Drilling Ø 3,5 mm | 1 | 6-25841-03-0-0 |
| | Drilling jig for corner gears – VENTUS F 300 | 1 | 6-27352-00-0-0 |

Test cable and test equipment for electric drives ELTRAL

| Application | Description | PU | Article No. |
|---------------------------------|--|----|----------------|
| Electric drives ELTRAL S | Test cable, complete for ELTRAL S 230 L, ELTRAL S 230 E | 1 | 6-26338-00-0-0 |
| Electric drives ELTRAL | Test equipment for electric drive 230 V, 24 V for ELTRAL S 230 L, S 230 E, S 24 L ELTRAL 300 E1, 300/24 for chain drives ELTRAL K, KSA for spindle drives ELTRAL SP 5-Z, SP 8-Z | 1 | 9-42186-00-0-0 |
| Chain drives ELTRAL K | Limit switch tester for chain drives ELTRAL K 350, K 400 – 230 V AC | 1 | 6-32782-00-0-0 |
| Electric drives ELTRAL S | Connecting cable, complete for ELTRAL S 230 E, ELTRAL S 230 L | | |
| | compl., 5 leads, 1,5° with cable end sleeves – 1,7 m | 1 | 6-28567-10-0-* |
| | compl., 5 leads, 1,5° with cable end sleeves – 4,0 m | 1 | 6-28567-20-0-* |

Order catalogue part 7 Miscellaneous fittings

Contents

The present catalogue part contains miscellaneous fittings for PVC tilt windows and top hung windows according to the latest state of the art.

The following indications will make you familiar with the concept of the catalogue and help you to handle it easily.

Catalogue structure

The present catalogue part is structured in the following way:

- Optional parts and turn handles
- Sets

Single parts

This part of the catalogue shows packing units and their contents, all single parts and accessories as well as auxiliary tools. Information on application, colours and packing units makes ordering easy.

Order numbers

The order number gives information about

- the article
- its size
- its application - e.g. DIN lh or DIN rh
- its colour/finish

Example

Order number
6-23470-10-0-1

| | | |
|----------|--------|---|
| 6-24841- | - - | Article number |
| - | -10- | Size |
| - | -L- | Left hand assembly |
| - | -R- | Right hand assembly |
| - | -0- | Usable on both sides |
| - | - -1T | Nickel silver |
| - | - - -1 | F 1/EV 1, natural (silver colour), ferGUard*silver (steel parts) |
| - | - - -2 | F 2/EV 2, champagne colour |
| - | - - -3 | F 3, brass colour or gold colour |
| - | - - -4 | UC 3, middle bronze or middle brown |
| - | - - -5 | UC 5, dark bronze or dark brown |
| - | - - -6 | Onyx matt or black |
| - | - - -7 | White, powder coated (RAL 9016) |
| - | - - -8 | Stainless steel or stainless steel colour |
| - | - - -* | Surface treatment variable (available colours see price list) |

Prices

Single part price list "Total programme"

The prices are listed by ascending article numbers.

Additional sales documentation

Apart from the order catalogue, the following documentation on miscellaneous fittings is available:

- Brochures and leaflets informing about product features and advantages
- Assembly drawings with mounting instructions

G.U Data service

HardwareManager

Software designed for the composition and ordering of customer and order related hardware sets for timber and PVC windows and patio doors.

Hardware Data Service

Generation of individual hardware data for the leading window manufacturing software programmes; supply of CNC data for the control of operating processes in window and door manufacture.

Order and customer information system CIS

The CIS system offers versatile communication possibilities:

- online ordering
- availability check
- order tracing
- information on current product range and prices

Contact: <http://cis.g-u.de>

Supplementary fittings for window and patio door sashes

According to the defined manufacturer's liability described in paragraph 4 of the German "product liability law", the following information regarding supplementary hardware for window and patio door sashes should be observed. Non-compliance exempts the manufacturer of his liability.

1. Product information and specified application

Rebate stays as well as rebate and cleaning stays as covered by this definition limit the tilt movement of a window sash when the stay of a fan-light opener is unhinged. The opening angle of the achieved catch position is slightly larger than the opening angle of the fan-light opener stay. Rebate and cleaning stays additionally hold the sash in horizontal position providing easy cleaning of the outside surface of the window pane.

Hardware for coupled sashes as covered by this definition consists of coupled sash hinges allowing for the opening of the coupled sash unit and cleaning the inside of window panes, and of coupled sash couplings designed to lock the coupled sash on the side opposite to the hinges. Applications going beyond opening coupled sashes for the purpose of cleaning are not in compliance with the hardware's specified application.

Window friction stays as covered by this definition hamper – due to friction – the movement of tilt-turn or side hung sashes in open position. Depending on the intensity of friction, they can hold the sash open, however, do not limit the opening.

When using supplementary hardware, the product information of the basic hardware and its specified application is to be observed.

2. Misuse

Misuse – therefore not the specified product utilisation – of fan-light hardware for windows occurs in particular:

- if obstacles are inserted into the opening vicinity, thus preventing its proper specified use,
- if additional loads are put on windows sashes,
- if someone reaches between the sash and frame, and/or a person or body part is in this vicinity while the window is closing.

3. Liability

The respective entire hardware set may only consist of G.U hardware components. In the case of inappropriately assembled hardware, and/or in case of non original accessory components and/or non factory-approved accessory components, no liability is accepted. For professional assembly G.U assembly drawings and mounting instructions are to be consulted.

4. Product performance

4.1 Maximum sash weights and dimensions

The maximum sash weights and dimensions specified by the manufacturer for each type of hardware must not be exceeded.

4.2 Hardware composition

The manufacturer's regulations concerning the composition of hardware are obligatory.

5. Product maintenance

Security relevant hardware components are to be examined at least once a year for stability and wear and tear. Depending on the requirements, the fixing screws are to be tightened and/or parts replaced. In addition to this, the following maintenance work is to be carried out annually:

- All movable parts and all locking points of the sliding hardware are to be greased and tested.
- Only cleaning and maintenance agents which do not damage the corrosion protection of the hardware components are to be used.

Hardware adjustments as well the replacement of parts are to be carried out by a specialist company.

6. Obligation to issue information and instructions

To fulfil the information and instruction obligations as well as the maintenance operations according to the "product liability law", the following documentation is made available:

- for planning engineers "planning documents"
- for authorized dealers "catalogues"
- for fabricators "installation instructions" and "assembly drawings"
- for builders and end users: "service and maintenance instructions" as well as "operating manuals".

In order to safeguard the function of supplementary fittings for window and patio door sashes,

- Planning engineers are obliged to request and comply with the manufacturers' or authorized dealers' product information.
- The authorized dealers are obliged to observe and request the product information from the manufacturer and to pass them on to the fabricators, in particular installation instructions, assembly drawings, service and maintenance instructions as well as operating manuals.
- Fabricators are obliged to observe the product information and in particular to request service and maintenance instructions as well as operating manuals from the manufacturer or authorized dealer and to pass them on to the builders and end users.

7. Applicability for related hardware

Related hardware is to be treated according to the corresponding valid features of product performance, product maintenance, specified use/application and misuse, product information and instruction obligations.

Miscellaneous fittings for tilt and top hung windows

Application

Range of applications for G.U miscellaneous window fittings:

- Security stays for PVC tilt windows
- Rebate stays for PVC tilt windows
- Fan-light catch for PVC windows

Designs

G.U security stay EURO-SOLID

These stays for holding the opened sash offer additional safety of operation. The Institute for Window Techniques, Rosenheim, highly recommends the use of security stays for tilt sashes.

The G.U security stay EURO-SOLID is a one piece telescopic construction. There are 4 stay sizes for various sash heights. The stay types for PVC and aluminium sashes are profile-related.

Rebate and cleaning stays

These stays for holding the opened sash offer additional safety of operation. The Institute for Window Techniques, Rosenheim, highly recommends the use of rebate stays for tilt sashes.

Fan-light catch PERPLEX

The fan-light catch PERPLEX, a simple locking device for tilt sashes, is used for small windows if a fan-light opener is not necessary due to size, weight and easy accessibility of the sashes.

Materials, surface sealing ferGUard*silver

The fitting parts are made of high quality steel, zinc die-casting and aluminium alloys.

According to the material they are protected against corrosion by the surface sealing ferGUard*silver, aluminium parts are anodised.

Abbreviations

| | |
|-----|--------------------|
| PU | Packing unit |
| SH | Sash height |
| SRH | Sash rebate height |
| SRW | Sash rebate width |
| ST | Sash thickness |
| SW | Sash width |

The newly developed sealing ferGUard*silver sets the standard

Surface coating free of chromate providing optimum corrosion protection = ferGUard

- Over the years, plaster, cement, paint and cleaning detergents considerably affect the surface of builder's hardware.
Possible consequence: claims
- Due to the surface sealing ferGUard*silver, damage through corrosion involving reclamation is reliably prevented.
The finish ferGUard*silver consists of a new combined coating (zinc + passivation without hexavalent chromium + additional coating) of superior anti-corrosive qualities.
- The coats are applied without organic components, heavy metals and hexavalent chromium; that is, the new surface sealing ferGUard*silver is environment-friendly and up to date.
- Another advantage:
The new finish ferGUard*silver produces an impressively even, silvery finish on the fitting parts: A new, additional sales argument with your customers.

How does the additional coating work?

As before, the fitting parts are protected by a zinc coat with succeeding yellow passivation (method: zinc + standard chromizing). The new additional coat was developed in cooperation with leading suppliers of chemical engineering and with the automotive industry. After the usual treatment, the fitting components are covered with an inorganic coat in an additional procedure. This process step is carried out on a fully automatic and computer controlled production line. The additional coat deeply permeates into the passivated coat, sealing the whole component firmly and permanently. Special corrosion inhibitors additionally retard the beginning of corrosion.

All in all, the new **G.U finish** offers to dealers, manufacturers and customers a large variety of **advantages**:

- Considerably improved corrosion protection due to additional coating.
- Longer product life of windows and doors.
- Without organic components and heavy metals, the new G.U finish is environment-friendly and up to date.
- If there is mechanic damage to the surface or if a component is cut (e.g. forend cut to length), the blank spot will not corrode due to the sacrificial protective effect of the zinc coat.
- Fewer customer claims due to a finish more resistant against detergents and household chemicals than others.
- Even, silvery finish of fitting parts throughout our complete product range.
- Complying with the environmental regulations of the EC, our newly developed coating system ferGUard*silver does not contain hexavalent chromium.

Separate delivery:
Security stay + bag of accessories according to profile system

G.U security stay EURO-SOLID without accessories

| Application, illustration | Description | PU | Article No. |
|---------------------------|-------------------------------------|-----|----------------|
| Tilt windows | G.U security stay EURO-SOLID | | |
| | SH | | |
| | F 200/F 300 | | |
| | 270- 350 | 100 | 6-27995-01-0-1 |
| | 351- 500 | 100 | 6-27995-02-0-1 |
| | 501- 800 | 100 | 6-27995-03-0-1 |
| | 801-1500 | 100 | 6-27995-04-0-1 |
| | Drilling jig | 1 | K-14788-00-0-0 |

G.U security stay EURO-SOLID Bag of accessories according to profile system

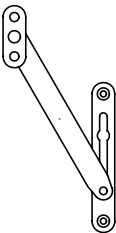
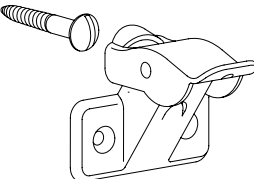
| Application, illustration | Description | PU | Article No. |
|---|--------------------------------------|----------------|----------------|
| | Tilt windows | | |
| | Bag of accessories EURO-SOLID | | |
| | Profile system | | |
| | Hocoplast H 120 | 20 | K-14681-00-0-1 |
| | Intertec Greiner | | |
| | Illerplastic | | |
| | Jansen | | |
| | Salamander Universal and Design | | |
| | Weru | | |
| | Profile system | | |
| | Actual A 400 | 20 | K-14682-00-0-1 |
| | Aluplast Ideal 2000 | | |
| | Brüggmann Series 81, AD and MD | | |
| | KBE MD | | |
| | Internorm | | |
| Knipping | | | |
| LB. Profile PAD and PMD | | | |
| Plus Plan 3K AD | | | |
| Rehau S 730 | | | |
| Soprofen T 62 | | | |
| Schüco Corona CT 70 | | | |
| Trocal 900, InnoNova 2000 | | | |
| Tryba E 58 | | | |
| VEKA Softline AD and MD, Topline | | | |
| Profile system | | | |
| Aluplast Ideal 4000 and 5000 | 20 | K-14683-00-0-1 | |
| Kömmerling profine EURODUR 3S, EuroFutur Elegance | | | |
| Gealan S 3000 and S 8000 | | | |
| Hocoplast H 100 | | | |
| KBE AD | | | |
| Schüco Corona AS + MD | | | |
| Reckendrees | | | |
| Roplasto 6001 | | | |
| Thyssen AD, MD and MD 100 | | | |
| Profile system | | | |
| Deceuninck 2000 | 20 | K-14837-00-0-1 | |
| Kömmerling profine EuroFutur Avantgarde | | | |
| Schüco AS | | | |
| Schock Thermassiv | | | |
| Profile system | | | |
| Aluplast Signum 21 | 20 | K-14842-00-0-1 | |

Maximum sash weights

Maximum sash weights according
to size and quantity of stays

| SH | Size | 1 stay | 2 stays |
|-------------|------|--------|---------|
| F 200/F 300 | | | |
| 270- 350 | 01 | 15 kg | 30 kg |
| 351- 500 | 02 | 15 kg | 30 kg |
| 501- 800 | 03 | 30 kg | 60 kg |
| 801-1500 | 04 | 30 kg | 60 kg |

Rebate stays and fan-light catch PERPLEX for PVC tilt windows

| Application, illustration | Description | PU | Article No. |
|--|---|----------|----------------------------------|
| Tilt windows  | Rebate stay no. 24 with articulated arm, length | | |
| | 150 200 | 50 50 | 5-21021-15-0-1 5-21021-20-0-1 |
| Timber tilt windows Sashes with overlap  | Fan-light catch PERPLEX 45 screw-on version | 100 | 5-20833-00-0-1 |



Product group

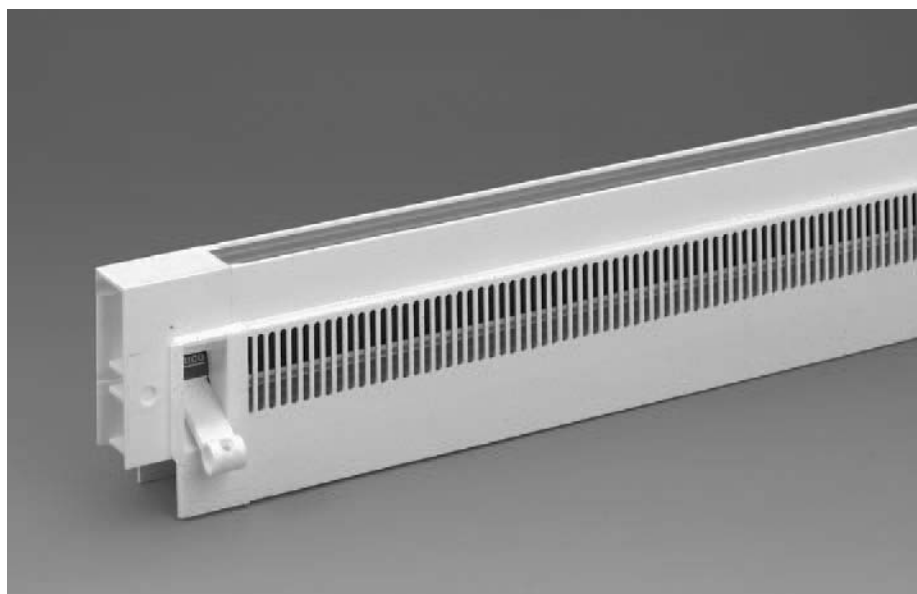
J

Ventilators for windows

8

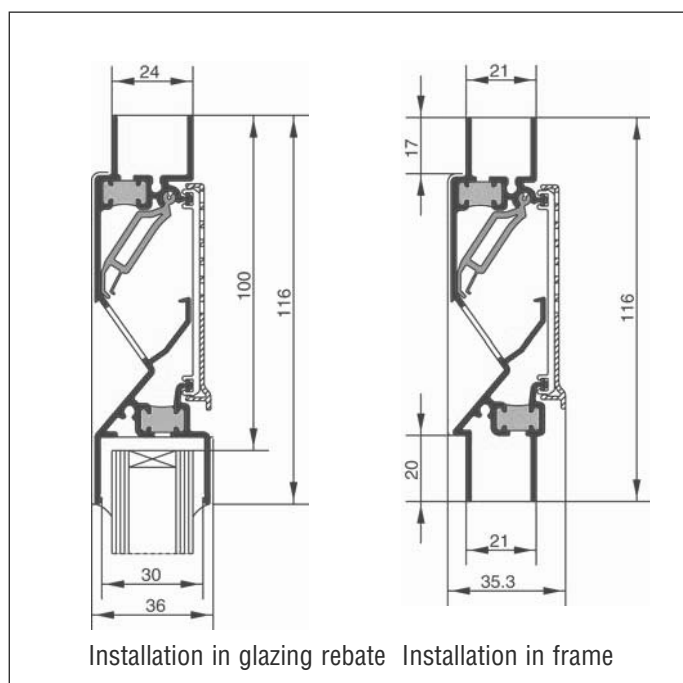
G.U-DUCO ventilators ...

... the complete programme for energy saving ventilation



New:

- Cutting to size
- Assembly
- Special RAL colours



Advantages:

- ✓ Simple installation
- ✓ Draught free flow of incoming air over total length of ventilator
- ✓ Excellent thermal break
- ✓ High impermeability of joints and protection against driving rain due to gasket or finseal brush
- ✓ Reliable protection against insects
- ✓ Plastic end caps with integrated control elements
- ✓ Easy operation – alternatively with hand lever, rod or cord control

Installation:

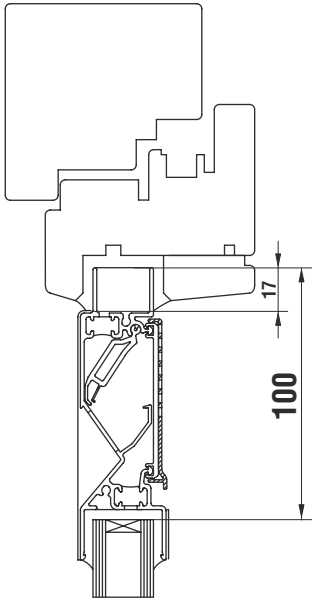
- Horizontal installation in the glazing rebate at bottom or top of glazing
- Vertical installation in the glazing rebate
- Vertical or horizontal installation in the frame for timber, PVC or aluminium windows

Flap ventilators and rotating drum ventilators for timber, PVC and aluminium windows

| | |
|---|------|
| Flap ventilators and rotating drum ventilators | |
| Ventilator types | 8.4 |
| Product information | 8.5 |
| Flap ventilators | |
| Flap ventilator G.U-DUCOFLAT 80 GF | |
| Horizontal installation in the glazing rebate | |
| Connection to glazing at the bottom | 8.6 |
| Flap ventilator G.U-DUCOFLAT 80 GF-O | |
| Horizontal installation in the glazing rebate | |
| Connection to glazing at the top | 8.8 |
| Flap ventilator G.U-DUCOFLAT 80 BF | |
| Horizontal installation in frame | 8.10 |
| Flap ventilator G.U-DUCOFLAT 100 GF, G.U-DUCOFLAT 100 GF-S | |
| Horizontal and vertical installation in glazing rebate | |
| Connection to glazing at the bottom or on the side | 8.12 |
| Flap ventilator G.U-DUCOFLAT 100 BF | |
| Horizontal and vertical installation in frame | 8.14 |
| Flap ventilator G.U-DUCOPLUS 60 GF | |
| Horizontal installation in glazing rebate | |
| Connection to glazing at the bottom | 8.16 |
| Rotating drum ventilators | |
| Rotating drum ventilator G.U-DUCOTON 80 GF | |
| Horizontal installation in glazing rebate | |
| Connection to glazing at the bottom | 8.18 |
| Dimensions | 8.20 |
| Order form | 8.21 |

Ventilators for the installation in the glazing rebate and in the frame

Flap ventilator G.U-DUCOFLAT 100



Technical data

Glass reduction 100 mm

Installation in glazing rebate
 Position horizontal
 Connection vertical
 to glazing bottom
 top
 on side

Glass thickness 20 mm
 24 mm
 28 mm

Installation in frame
 Position horizontal
 vertical

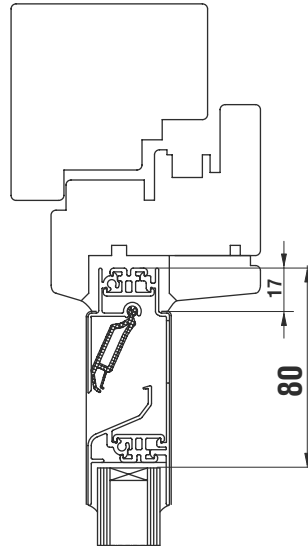
Air flow 56 m³/h . m
 Pressure differential 2 Pa

Max. length 2.500 mm
 of installed ventilator

Seal
 Plastic flap with gasket

Insect screen
 Inside grille, punched,
 detachable for cleaning

Flap ventilator G.U-DUCOFLAT 80



Technical data

Glass reduction 80 mm

Installation in glazing rebate
 Position horizontal
 Connection bottom
 to glazing top
 Glass thickness 20 mm
 24 mm
 28 mm

Installation in frame
 Position horizontal

Air flow 42 m³/h . m
 Pressure differential 2 Pa

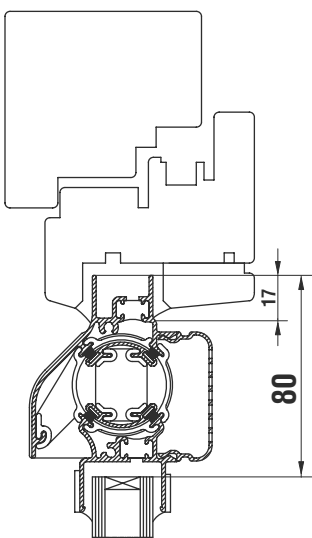
Max. length 2.500 mm
 of installed ventilator

Seal
 Plastic flap with gasket

Insect screen
 Inside grille, slotted

Ventilators for the installation in the glazing rebate

Rotating drum ventilator G.U-DUCOTON 80



Technical data

Glass reduction 80 mm

Installation in glazing rebate
 Position horizontal
 Connection to bottom
 glazing
 Glass thickness 20 mm
 24 mm
 28 mm

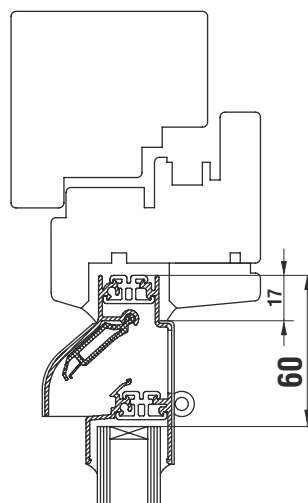
Airflow 47 m³/h . m
 Pressure differential 2 Pa

Max. length 3.000 mm
 of installed ventilator

Seal
 Rotating drum with
 4 finseal brushes

Insect screen
 Inside grille, punched,
 detachable for cleaning

Flap ventilator G.U-DUCOPLUS 60



Technical data

Glass reduction 60 mm

Installation in glazing rebate
 Position horizontal
 Connection to bottom
 glazing
 Glass thickness 20 mm
 24 mm
 28 mm

Airflow 45 m³/h . m
 Pressure differential 2 Pa

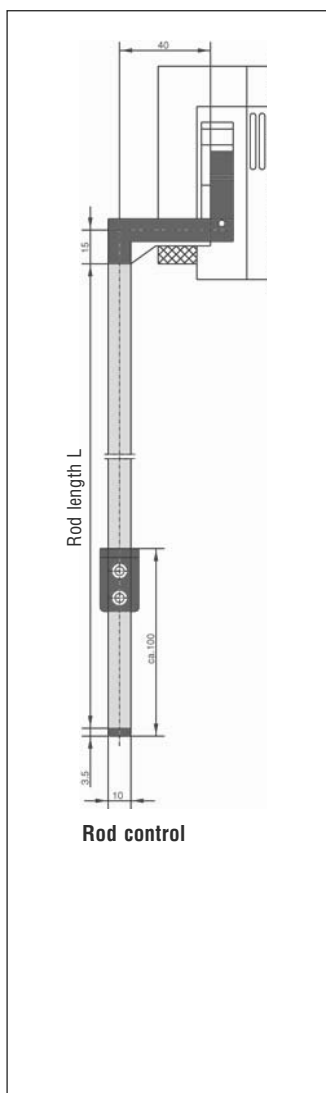
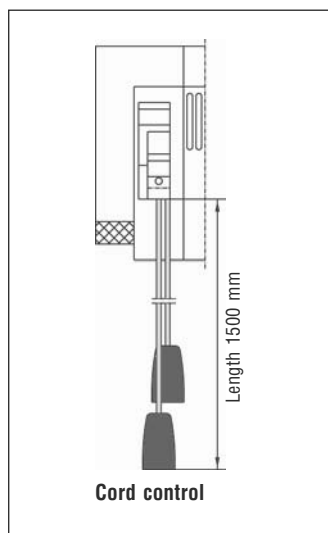
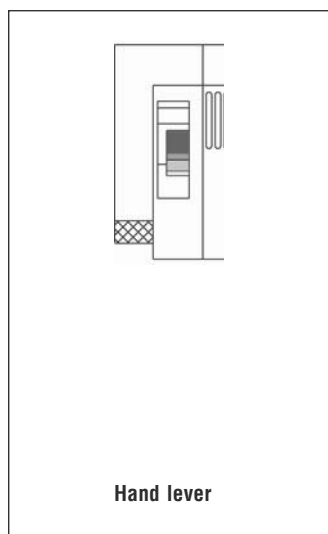
Max. length 2.500 mm
 of installed ventilator

Seal
 Plastic flap with gasket

Insect screen
 Inside grille, slotted

Flap ventilators and rotating drum ventilators with thermal break

Operations



Order numbers

The order number indicates

- the article,
- its size,
- its application - e.g. DIN lh or DIN rh,
- its colour.

Example

Article No.
6-30409-60-0-1

- | | | |
|----------|------|------------------------------|
| 6-30409- | - - | Part number |
| - | -60- | size indicating stock length |
| - | -98- | size cut to measure |
| - | -L- | DIN left hand |
| - | -R- | DIN right hand |
| - | -0- | usable on both sides |
| - | -1 | anodized EV 1/ silver colour |
| - | -6 | black |
| - | -7 | white painted (RAL 9016) |
| - | -9 | special RAL colour |

Cut to measure "size -98"

When the ventilators are ordered cut to measure, the size in the order number is 98. In this case, delivery comprises the following services:

- cutting the ventilator to measure
- assembly of end pieces on both sides
- with ventilator lengths from 1250 mm assembly of the intermediate piece
- cutting the glazing gasket to measure
- with rod control: cutting the rod, assembly of lever and end plug

RAL special colours

for cut to measure ventilators "colour -9"

G.U-DUCO ventilators cut to measure are also delivered in many special RAL colours:

- same colour inside and outside
- different colours inside and outside
- rod in special colours
- paint applied: Original Glasurit 2-part paint series 22



Prices

Single part price list "Total programme"

The prices are listed by increasing article numbers.

Installation

The ventilators are fixed with glazing beads. Sealing is effected with silicone-based material or with gaskets.

Abbreviations

- GF = horizontal installation in glazing rebate, glazing at bottom
- GF-S = vertical installation in glazing rebate, glazing on side
- GFO = horizontal installation in glazing rebate, glazing at top
- BF = horizontal installation in frame
- BF-S = vertical installation in frame

Dim.

- B = Total length of ventilator including end caps
- L = Rod length (with rod control)

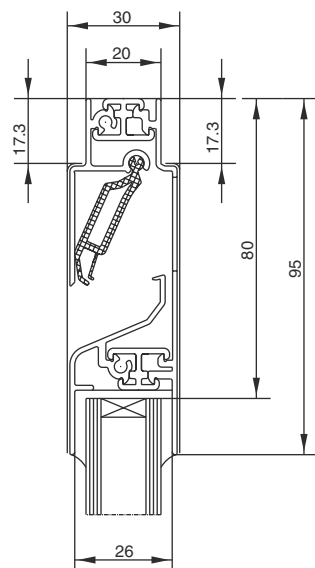
Other abbreviations

- PU = Packing unit

Horizontal installation in the glazing rebate
Connection to glazing at the bottom

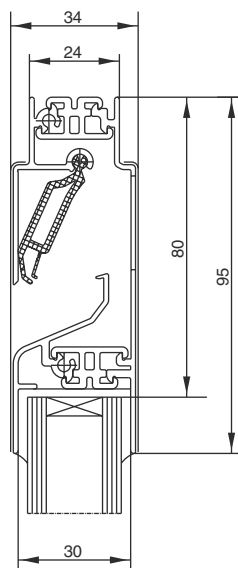
DUCO
ART IN VENTILATION

**Flap ventilator
G.U-DUCOFLAT 80 GF 20**



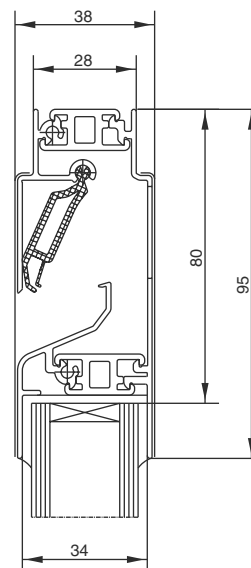
Glass thickness up to 20 mm
Glazing gasket 9-42311-00-0-6

**Flap ventilator
G.U-DUCOFLAT 80 GF 24**



Glass thickness up to 24 mm
Glazing gasket 9-42311-00-0-6

**Flap ventilator
G.U-DUCOFLAT 80 GF 28**



Glass thickness up to 28 mm
Glazing gasket 9-42311-00-0-6

Application

Horizontal installation in the glazing rebate of timber, PVC or aluminium windows or fixed glazings. Connection to glazing at the bottom.

Dimensions

| Description | Dim. mm |
|--|---------|
| Flap ventilator | |
| Ventilator height | 95,0 |
| Glass reduction | 80,0 |
| Total depth G.U-DUCOFLAT 80 GF 20 | 30,0 |
| Total depth G.U-DUCOFLAT 80 GF 24 | 34,0 |
| Total depth G.U-DUCOFLAT 80 GF 28 | 38,0 |
| Stock length | 6000,0 |
| Installed length max. | 2500,0 |
| Reduction end caps (cut length of ventilator) | 2 x 39 |

Installation

The ventilators are fixed with glazing beads. Sealing is effected with silicone-based material or with gaskets.

Description

Flap ventilator with thermal break manufactured from extruded aluminium profiles, plastic flap with gasket as perfect seal against wind and water ingress. Maximum undivided flap length: 1250 mm. Inside grille is slotted and acts as insect mesh. Plastic end caps with integrated control elements. Draught free flow of incoming air over total length of ventilator.

Operation

The flap ventilator is controlled by:

- hand lever
- cord
- rod

Finish

| Description | Colour |
|-----------------|--|
| Flap ventilator | -1 = anodized EV 1 -7 = white (RAL 9016) -9 = special RAL colour |

Further colours upon request.

Measured values

| Pressure differential | Airflow per metre |
|---|--------------------------|
| 2 Pa | 42,0 m ³ /h |
| 4 Pa | 64,0 m ³ /h |
| 10 Pa | 107,0 m ³ /h |
| 30 Pa | 220,0 m ³ /h |
| Free area | 150 cm ² /m |
| Coefficient of joint permeability »a« at 10 Pa Pressure differential 0,5 m ³ /h · m | |
| Weighting coefficient of sound damping reference surface 1,9 m ² | |
| Ventilator closed | Rw 29 dB |
| Ventilator open | Rw 17 dB |
| U-value (k-value) | 3,2 W/m ² · K |

Cut to measure "size -98-"

When the ventilators are ordered cut to measure, the size in the order number is 98. In this case, delivery comprises the following services:

- cutting the ventilator to measure
- assembly of end pieces on both sides
- with ventilator lengths from 1250 mm assembly of the intermediate piece
- cutting the glazing gasket to measure
- with rod control: cutting the rod, assembly of lever and end plug

Stock version

Flap ventilator, glazing gasket and rod in stock lengths, loose bag of accessories

| Application | Description | PU | Article No. | |
|---|--|----|------------------|------------------|
| Timber, PVC and aluminium windows | Flap ventilator G.U-DUCOFLAT 80 GF 20 , L = 6000 mm | 2 | 6-30409-60-0-1/7 | |
| | Flap ventilator G.U-DUCOFLAT 80 GF 24 , L = 6000 mm | 2 | 6-30410-60-0-1/7 | |
| | Flap ventilator G.U-DUCOFLAT 80 GF 28 , L = 6000 mm | 2 | 6-30411-60-0-1/7 | |
| Flap ventilator G.U-DUCOFLAT 80 GF | Glazing gasket , 50 m on roll | 1 | 9-42311-00-0-6 | |
| Hand control also required with rod control | Bag accessories G.U-DUCOFLAT 80 GF 20 | 40 | K-15523-00-0-6/7 | |
| | Bag accessories G.U-DUCOFLAT 80 GF 24 | 40 | K-15524-00-0-6/7 | |
| | Bag accessories G.U-DUCOFLAT 80 GF 28 | 40 | K-15525-00-0-6/7 | |
| | Components each | | | |
| | 1 End cap left | | | |
| | 1 End cap right | | | |
| | 4 Screws 3,9 x 19, stainless | | | |
| Rod control supplementary to hand lever | Bag accessories rod | 40 | K-15529-00-0-6/7 | |
| | Components | | | |
| | 1 Rod guide | | 9-39996-00-0-6/7 | |
| | 1 End plug | | 9-39999-00-0-6 | |
| | 1 Rod angle 40 | | 9-39995-00-0-6/7 | |
| | 1 Lever 50 | | 9-39994-00-0-6/7 | |
| | Rod (aluminium) – Ø 10 mm, L = 6000 mm | 2 | 9-39955-60-0-1/7 | |
| | | | lh application | rh application |
| Cord control Cord length = 1500 mm | Bag accessories G.U-DUCOFLAT 80 GF 20 | 40 | K-15560-00-L-6/7 | K-15560-00-R-6/7 |
| | Bag accessories G.U-DUCOFLAT 80 GF 24 | 40 | K-15561-00-L-6/7 | K-15561-00-R-6/7 |
| | Bag accessories G.U-DUCOFLAT 80 GF 28 | 40 | K-15562-00-L-6/7 | K-15562-00-R-6/7 |
| | Components each | | | |
| | 1 End cap left | | | |
| | 1 End cap right | | | |
| | 4 Screws 3,9 x 19, stainless | | | |
| Division of flap B > 1250 mm | 1 Intermediate piece , loose | 40 | 9-39989-00-0-6 | |

[1] 1 = EV 1, 6 = black, 7 = white RAL 9016

Cut to measure / special RAL colours

Flap ventilator and glazing gasket in fixed dimensions, accessories assembled, loose rod

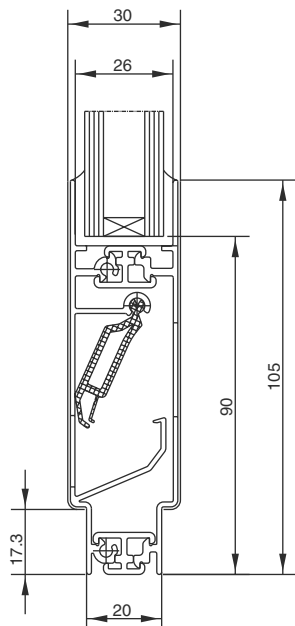
| Application | Description | Article No. | |
|---|---|--------------------|------------------|
| Timber, PVC and aluminium windows | Flap ventilator G.U-DUCOFLAT 80 GF 20 , L = to measure | 6-30409-98-0-1/7/9 | |
| | Flap ventilator G.U-DUCOFLAT 80 GF 24 , L = to measure | 6-30410-98-0-1/7/9 | |
| | Flap ventilator G.U-DUCOFLAT 80 GF 28 , L = to measure | 6-30411-98-0-1/7/9 | |
| Flap ventilator G.U-DUCOFLAT 80 GF | Glazing gasket , L = to measure | 9-42311-98-0-6 | |
| Hand control also required with rod control | Bag accessories G.U-DUCOFLAT 80 GF 20 | K-15523-98-0-6/7 | |
| | Bag accessories G.U-DUCOFLAT 80 GF 24 | K-15524-98-0-6/7 | |
| | Bag accessories G.U-DUCOFLAT 80 GF 28 | K-15525-98-0-6/7 | |
| | Components each, assembled | | |
| | 1 End cap left | | |
| | 1 End cap right | | |
| | 4 Screws 3,9 x 19, stainless | | |
| Rod control supplementary to hand lever | Bag accessories rod | K-15529-98-0-6/7 | |
| | Components assembled | | |
| | 1 Rod guide | 9-39996-00-0-6/7 | |
| | 1 End plug | 9-39999-00-0-6 | |
| | 1 Rod angle 40 | 9-39995-00-0-6/7 | |
| | 1 Lever 50 | 9-39994-00-0-6/7 | |
| | Rod (aluminium) – Ø 10 mm, L = to measure, loose | 9-39955-98-0-1/7/9 | |
| | | lh application | rh application |
| Cord control Cord length = 1500 mm | Bag accessories G.U-DUCOFLAT 80 GF 20 | K-15560-98-L-6/7 | K-15560-98-R-6/7 |
| | Bag accessories G.U-DUCOFLAT 80 GF 24 | K-15561-98-L-6/7 | K-15561-98-R-6/7 |
| | Bag accessories G.U-DUCOFLAT 80 GF 28 | K-15562-98-L-6/7 | K-15562-98-R-6/7 |
| | Components each, assembled | | |
| | 1 End cap left | | |
| | 1 End cap right | | |
| | 4 Screws 3,9 x 19, stainless | | |
| Division of flap B > 1250 mm | 1 Intermediate piece , assembled | 9-39989-98-0-6 | |

[1] 1 = EV 1, 6 = black, 7 = white RAL 9016, 9 = special RAL colour

Horizontal installation in glazing rebate
Connection to glazing at the top

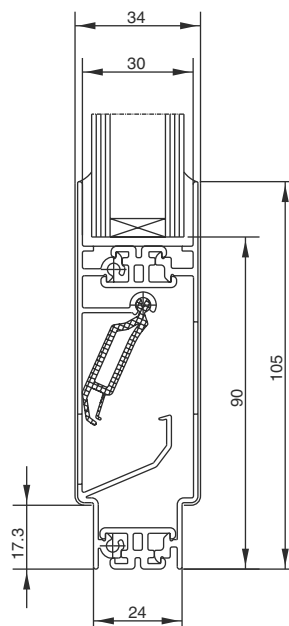
DUCO
ART IN VENTILATION

Flap ventilator G.U-DUCOFLAT 80 GFO 20



Glass thickness up to 20 mm
Glazing gasket 9-42311-00-0-6

Flap ventilator G.U-DUCOFLAT 80 GFO 24



Glass thickness up to 24 mm
Glazing gasket 9-42311-00-0-6

Application

Horizontal installation in the glazing rebate of timber, PVC or aluminium windows or fixed glazings. Connection to glazing at the top.

Dimensions

| Description | Dim. mm |
|--|---------|
| Flap ventilator | |
| Ventilator height | 105,0 |
| Glass reduction | 90,0 |
| Total depth G.U-DUCOFLAT 80 GFO 20 | 30,0 |
| Total depth G.U-DUCOFLAT 80 GFO 24 | 34,0 |
| Stock length | 6000,0 |
| Installed length max. | 2500,0 |
| Reduction end caps (cut length of ventilator) | 2 x 39 |

Installation

The ventilators are fixed with glazing beads. Sealing is effected with silicone-based material or with gaskets.

Description

Flap ventilator with thermal break manufactured from extruded aluminium profiles, plastic flap with gasket as perfect seal against wind and water ingress. Maximum undivided flap length: 1250 mm. Inside grille is slotted and acts as insect mesh. Plastic end caps with integrated control elements. Draught free flow of incoming air over total length of ventilator.

Operation

The flap ventilator is controlled by:
– hand lever

Finish

| Description | Colour |
|-----------------|--|
| Flap ventilator | -1 = anodized EV 1 -7 = white (RAL 9016) -9 = special RAL colour |

Further colours upon request.

Measured values

| Pressure differential | Airflow per metre |
|--|---------------------------|
| 2 Pa | 42,0 m ³ /h |
| 4 Pa | 64,0 m ³ /h |
| 10 Pa | 107,0 m ³ /h |
| 30 Pa | 220,0 m ³ /h |
| Free area | 150 cm ² /m |
| Coefficient of joint permeability »a« at 10 Pa pressure differential | 0,5 m ³ /h · m |
| Weighting coefficient of sound damping reference surface 1,9 m ² | |
| Ventilator closed | Rw 29 dB |
| Ventilator open | Rw 17 dB |
| U-value (k-value) | 3,2 W/m ² · K |

Cut to measure "size -98-"

When the ventilators are ordered cut to measure, the size in the order number is 98. In this case, delivery comprises the following services:

- cutting the ventilator to measure
- assembly of end pieces on both sides
- with ventilator lengths from 1250 mm assembly of the intermediate piece
- cutting the glazing gasket to measure
- with rod control: cutting the rod, assembly of lever and end plug

Stock version

Flap ventilator, glazing gasket and rod in stock length, loose bag of accessories

| Application | Description | PU | Article No. |
|--|---|----|------------------|
| Timber, PVC and aluminium windows | Flap ventilator G.U-DUCOFLAT 80 GFO 20 , L = 6000 mm | 2 | 6-30412-60-0-1/7 |
| | Flap ventilator G.U-DUCOFLAT 80 GFO 24 , L = 6000 mm | 2 | 6-30413-60-0-1/7 |
| Flap ventilator G.U-DUCOFLAT 80 GFO | Glazing gasket , 50 m on roll | 1 | 9-42311-00-0-6 |
| Hand control | Bag accessories G.U-DUCOFLAT 80 GFO 20 | 40 | K-15527-00-0-6/7 |
| | Bag accessories G.U-DUCOFLAT 80 GFO 24 | 40 | K-15528-00-0-6/7 |
| | Components each | | |
| | 1 End cap left | | |
| | 1 End cap right | | |
| | 4 Screws 3,9 x 19, stainless | | |
| Division of flap B > 1250 mm | 1 Intermediate piece , loose | 40 | 9-39989-00-0-6 |

[1] 1 = EV 1, 6 = black, 7 = white RAL 9016

Cut to measure / special RAL colours

Flap ventilator and glazing gasket in fixed dimensions, accessories assembled, loose rod

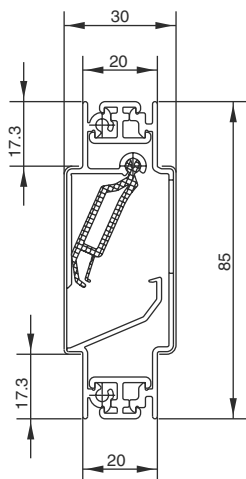
| Application | Description | Article No. |
|--|--|--------------------|
| Timber, PVC and aluminium windows | Flap ventilator G.U-DUCOFLAT 80 GFO 20 , L = to measure | 6-30412-98-0-1/7/9 |
| | Flap ventilator G.U-DUCOFLAT 80 GFO 24 , L = to measure | 6-30413-98-0-1/7/9 |
| Flap ventilator G.U-DUCOFLAT 80 GFO | Glazing gasket , L = to measure | 9-42311-98-0-6 |
| Hand control | Bag accessories G.U-DUCOFLAT 80 GFO 20 | K-15527-98-0-6/7 |
| | Bag accessories G.U-DUCOFLAT 80 GFO 24 | K-15528-98-0-6/7 |
| | Components each assembled | |
| | 1 End cap left | |
| | 1 End cap right | |
| | 4 Screws 3,9 x 19, stainless | |
| Division of flap B > 1250 mm | 1 Intermediate piece , assembled | 9-39989-98-0-6 |

[1] 1 = EV 1, 6 = black, 7 = white RAL 9016, 9 = special RAL colour

Horizontal installation in frame

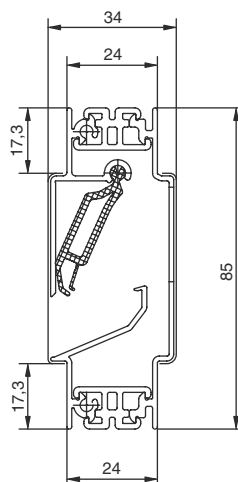
DUCO
ART IN VENTILATION

Flap ventilator G.U-DUCOFLAT 80 BF 20



Installed thickness 20 mm

Flap ventilator G.U-DUCOFLAT 80 BF 24



Installed thickness 24 mm

Application

Horizontal installation in the frame of timber, PVC or aluminium windows.

Dimensions

| Description | Dim. mm |
|--|---------|
| Flap ventilator | |
| Ventilator height | 85,0 |
| Total depth G.U-DUCOFLAT 80 BF 20 | 30,0 |
| Total depth G.U-DUCOFLAT 80 BF 24 | 34,0 |
| Stock length | 6000,0 |
| Installed length max. | 2500,0 |
| Reduction end caps (cut length of ventilator) | 2 x 39 |

Installation

The ventilators are fixed with glazing beads. Sealing is effected with silicone-based material or with gaskets.

Description

Flap ventilator with thermal break manufactured from extruded aluminium profiles, plastic flap with gasket as perfect seal against wind and water ingress. Maximum undivided flap length: 1250 mm. Inside grille is slotted and acts as insect mesh. Plastic end caps with integrated control elements. Draught free flow of incoming air over total length of ventilator.

Operation

The flap ventilator is controlled by:

- hand lever
- cord
- rod

Finish

| Description | Colour |
|-----------------|--|
| Flap ventilator | -1 = anodized EV 1 -7 = white (RAL 9016) -9 = special RAL colour |

Further colours upon request.

Measured values

| Pressure differential | Airflow per metre |
|--|---------------------------|
| 2 Pa | 42,0 m ³ /h |
| 4 Pa | 64,0 m ³ /h |
| 10 Pa | 107,0 m ³ /h |
| 30 Pa | 220,0 m ³ /h |
| Free area | 150 cm ² /m |
| Coefficient of joint permeability »a« at 10 Pa Pressure differential | 0,5 m ³ /h · m |
| Weighting coefficient of sound damping reference surface 1,9 m ² | |
| Ventilator closed | Rw 29 dB |
| Ventilator open | Rw 17 dB |
| U-value (k-value) | 3,2 W/m ² · K |

Cut to measure "size -98-"

When the ventilators are ordered cut to measure, the size in the order number is 98. In this case, delivery comprises the following services:

- cutting the ventilator to measure
- assembly of end pieces on both sides
- with ventilator lengths from 1250 mm assembly of the intermediate piece
- cutting the glazing gasket to measure
- with rod control: cutting the rod, assembly of lever and end plug

Stock version

Flap ventilator, glazing gasket and rod in stock length, loose bag of accessories

| Application | Description | PU | Article No. | |
|---|--|----|------------------|------------------|
| Timber, PVC and aluminium windows | Flap ventilator G.U-DUCOFLAT 80 BF 20 , L = 6000 mm | 2 | 6-30408-60-0-1/7 | |
| | Flap ventilator G.U-DUCOFLAT 80 BF 24 , L = 6000 mm | 2 | 6-31144-60-0-1/7 | |
| Hand control also required with rod control | Bag accessories G.U-DUCOFLAT 80 BF 20 | 40 | K-15526-00-0-6/7 | |
| | Bag accessories G.U-DUCOFLAT 80 BF 24 | 40 | K-15742-00-0-6/7 | |
| | Components each | | | |
| | 1 End cap left | | | |
| | 1 End cap right | | | |
| | 4 Screws 3,9 x 19, stainless | | | |
| Rod control supplementary to hand lever | Bag accessories rod | 40 | K-15529-00-0-6/7 | |
| | Components | | | |
| | 1 Rod guide | | 9-39996-00-0-6/7 | |
| | 1 End plug | | 9-39999-00-0-6 | |
| | 1 Rod angle 40 | | 9-39995-00-0-6/7 | |
| | 1 Lever 50 | | 9-39994-00-0-6/7 | |
| | Rod (aluminium) – Ø 10 mm, L = 6000 mm | 2 | 9-39955-60-0-1/7 | |
| | | | lh application | rh application |
| Cord control Cord length = 1500 mm | Bag accessories G.U-DUCOFLAT 80 BF 20 | 40 | K-15559-00-L-6/7 | K-15559-00-R-6/7 |
| | Bag accessories G.U-DUCOFLAT 80 BF 24 | 40 | K-15743-00-L-6/7 | K-15743-00-R-6/7 |
| | Components each | | | |
| | 1 End cap left | | | |
| | 1 End cap right | | | |
| | 4 Screws 3,9 x 19, stainless | | | |
| Division of flap B > 1250 mm | 1 Intermediate piece, loose | 40 | 9-39989-00-0-6 | |

[1] 1 = EV 1, 6 = black, 7 = white RAL 9016

Cut to measure / special RAL colours

Flap ventilator and glazing gasket in fixed dimensions, accessories assembled, loose rod

| Application | Description | Article No. | |
|---|---|--------------------|------------------|
| Timber, PVC and aluminium windows | Flap ventilator G.U-DUCOFLAT 80 BF 20 , L = to measure | 6-30408-98-0-1/7/9 | |
| | Flap ventilator G.U-DUCOFLAT 80 BF 24 , L = to measure | 6-31144-98-0-1/7/9 | |
| Hand control also required with rod control | Bag accessories G.U-DUCOFLAT 80 BF 20 | K-15526-98-0-6/7 | |
| | Bag accessories G.U-DUCOFLAT 80 BF 24 | K-15742-98-0-6/7 | |
| | Components each assembled | | |
| | 1 End cap left | | |
| | 1 End cap right | | |
| | 4 Screws 3,9 x 19, stainless | | |
| Rod control supplementary to hand lever | Bag accessories rod | K-15529-98-0-6/7 | |
| | Components assembled | | |
| | 1 Rod guide | 9-39996-00-0-6/7 | |
| | 1 End plug | 9-39999-00-0-6 | |
| | 1 Rod angle 40 | 9-39995-00-0-6/7 | |
| | 1 Lever 50 | 9-39994-00-0-6/7 | |
| | Rod (aluminium) – Ø 10 mm, L = to measure, loose | 9-39955-98-0-1/7/9 | |
| | | lh application | rh application |
| Cord control Cord length = 1500 mm | Bag accessories G.U-DUCOFLAT 80 BF 20 | K-15559-98-L-6/7 | K-15559-98-R-6/7 |
| | Bag accessories G.U-DUCOFLAT 80 BF 24 | K-15743-98-L-6/7 | K-15743-98-R-6/7 |
| | Components each, assembled | | |
| | 1 End cap left | | |
| | 1 End cap right | | |
| | 4 Screws 3,9 x 19, stainless | | |
| Division of flap B > 1250 mm | 1 Intermediate piece, assembled | 9-39989-98-0-6 | |

[1] 1 = EV 1, 6 = black, 7 = white RAL 9016, 9 = special RAL colour

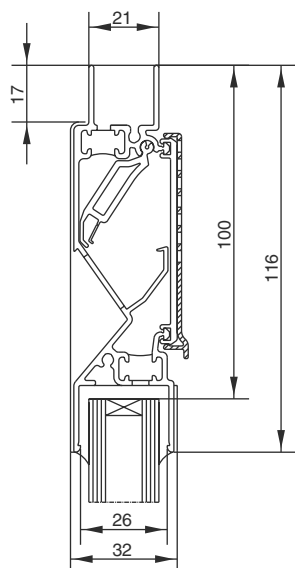
Flap ventilator G.U-DUCOFLAT 100 GF, 100 GF-S



Horizontal and vertical installation in the glazing rebate
Connection to glazing at the bottom and on the side

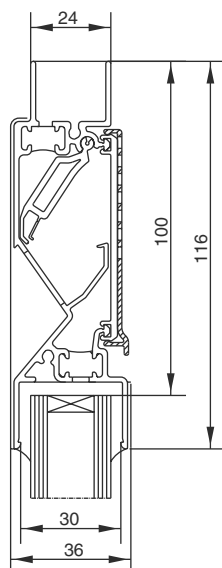


**Flap ventilator
G.U-DUCOFLAT 100 GF 20**



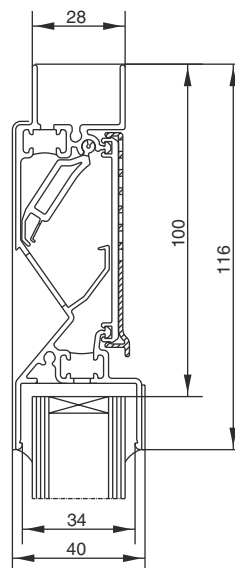
Glass thickness up to 20 mm
Glazing gasket 9-42311-00-0-6

**Flap ventilator
G.U-DUCOFLAT 100 GF 24**

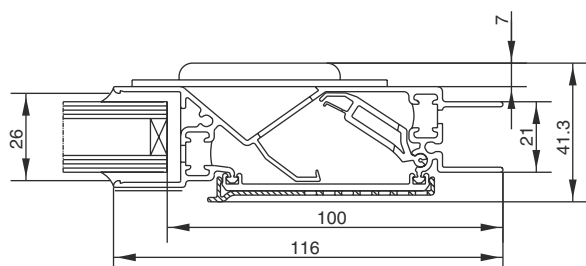


Glass thickness up to 24 mm
Glazing gasket 9-42311-00-0-6

**Flap ventilator
G.U-DUCOFLAT 100 GF 28**



Glass thickness up to 28 mm
Glazing gasket 9-42311-00-0-6



**Flap ventilator
G.U-DUCOFLAT 100 GF-S 20**
Vertical installation in the glazing rebate

Weather shield G.U-DUCOFLAT 100 of
punched aluminium profile 6-30429-**-0-*

Glass thickness up to 20 mm
Glazing gasket 9-42311-00-0-6

Application

Horizontal or vertical installation in the glazing rebate of timber, PVC or aluminium windows or fixed glazings. Connection to glazing at the bottom or on the side.

Dimensions

| Description | Dim. mm |
|--|---------|
| Flap ventilator | |
| Ventilator height | 116,0 |
| Glass reduction | 100,0 |
| Total depth G.U-DUCOFLAT 100 GF 20 | 32,0 |
| Total depth G.U-DUCOFLAT 100 GF 24 | 36,0 |
| Total depth G.U-DUCOFLAT 100 GF 28 | 40,0 |
| Total depth G.U-DUCOFLAT 100 GF-S 20 | 41,3 |
| Stock length | 6000,0 |
| Installed length max. | 2500,0 |
| Reduction end caps (cut length of ventilator) | 2 x 39 |

Installation

The ventilators are fixed with glazing beads. Sealing is effected with silicone-based material or with gaskets.

Description

Flap ventilator with thermal break manufactured from extruded aluminium profiles, plastic flap with gasket as perfect seal against wind and water ingress. Maximum undivided flap length: 1250 mm. Inside grille is punched and acts as insect mesh. Plastic end caps with integrated control elements. Inside grille detachable for cleaning. Draught free flow of incoming air over total length of ventilator.

Operation

The flap ventilator is controlled by:

- Hand lever
- Cord (not with G.U-DUCOFLAT 100 GF-S 20)
- Rod (not with G.U-DUCOFLAT 100 GF-S 20)

Finish

| Description | Colour |
|-----------------|--|
| Flap ventilator | -1 = anodized EV 1 -7 = white (RAL 9016) -9 = special RAL colour |

Further colours upon request.

Measured values

| Pressure differential | Airflow per metre |
|--|---------------------------|
| 2 Pa | 56,0 m ³ /h |
| 4 Pa | 75,0 m ³ /h |
| 10 Pa | 117,0 m ³ /h |
| 30 Pa | 190,0 m ³ /h |
| Free area | 150 cm ² /m |
| Coefficient of joint permeability »a« at 10 Pa Pressure differential | 0,4 m ³ /h · m |
| Weighting coefficient of sound damping reference surface 1,9 m ² | |
| Ventilator closed | Rw 32 dB |
| Ventilator open | Rw 16 dB |
| U-value (k-value) | 3,4 W/m ² · K |

Stock version

Flap ventilator, glazing gasket and rod in stock length, loose bag of accessories

| Application | Description | PU | Article No. [1] | |
|---|--|----|--------------------|--------------------|
| Timber, PVC and aluminium windows | Flap ventilator G.U-DUCOFLAT 100 GF 20 , L = 6000 mm | 2 | 6-30415-60-0-1/7 | |
| | Flap ventilator G.U-DUCOFLAT 100 GF 24 , L = 6000 mm | 2 | 6-30416-60-0-1/7 | |
| | Flap ventilator G.U-DUCOFLAT 100 GF 28 , L = 6000 mm | 2 | 6-30417-60-0-1/7 | |
| Flap ventilator G.U-DUCOFLAT 100 GF-S | Weather shield G.U-DUCOFLAT 100 punched aluminium profile, L = 2000 mm | 2 | 6-30429-20-0-1/7 | |
| Flap ventilator G.U-DUCOFLAT 100 GF, 100 GF-S | Glazing gasket , 50 m on roll | 1 | 9-42311-00-0-6 | |
| Hand control also required with rod control | Bag accessories G.U-DUCOFLAT 100 GF 20 | 40 | K-15531-00-0-1/6/7 | |
| | Bag accessories G.U-DUCOFLAT 100 GF 24 | 40 | K-15532-00-0-1/6/7 | |
| | Bag accessories G.U-DUCOFLAT 100 GF 28 | 40 | K-15533-00-0-1/6/7 | |
| | Components each | | | |
| | 1 End cap left | | | |
| | 1 End cap right | | | |
| | 4 Screws 3,9 x 19, stainless | | | |
| Rod control supplementary to hand lever | Bag accessories rod | 40 | K-15529-00-0-1/6/7 | |
| | Components | | | |
| | 1 Rod guide | | 9-39996-00-0-1/6/7 | |
| | 1 End plug | | 9-39999-00-0-6 | |
| | 1 Rod angle 40 | | 9-39995-00-0-1/6/7 | |
| | 1 Lever 50 | | 9-39994-00-0-1/6/7 | |
| | Rod (aluminium) – Ø 10 mm , L = 6000 mm | 2 | 9-39955-60-0-1/7 | |
| | | | lh application | rh application |
| Cord control Cord length = 1500 mm | Bag accessories G.U-DUCOFLAT 100 GF 20 | 40 | K-15563-00-L-1/6/7 | K-15563-00-R-1/6/7 |
| | Bag accessories G.U-DUCOFLAT 100 GF 24 | 40 | K-15564-00-L-1/6/7 | K-15564-00-R-1/6/7 |
| | Bag accessories G.U-DUCOFLAT 100 GF 28 | 40 | K-15565-00-L-1/6/7 | K-15565-00-R-1/6/7 |
| | Components each | | | |
| | 1 End cap left | | | |
| | 1 End cap right | | | |
| | 4 Screws 3,9 x 19, stainless | | | |
| Division of flap B > 1250 mm | 1 Intermediate piece , loose | 40 | 9-39990-00-0-6 | |

[1] 1 = EV 1, 6 = black, 7 = white RAL 9016

Cut to measure / special RAL colours

Flap ventilator and glazing gasket in fixed dimensions, accessories assembled, loose rod

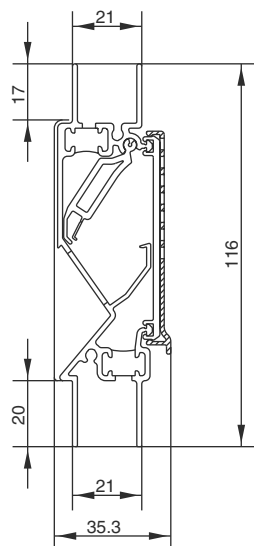
| Application | Description | Article No. | |
|---|---|--------------------|--------------------|
| Timber, PVC and aluminium windows | Flap ventilator G.U-DUCOFLAT 100 GF 20 , L = to measure | 6-30415-98-0-1/7/9 | |
| | Flap ventilator G.U-DUCOFLAT 100 GF 24 , L = to measure | 6-30416-98-0-1/7/9 | |
| | Flap ventilator G.U-DUCOFLAT 100 GF 28 , L = to measure | 6-30417-98-0-1/7/9 | |
| Flap ventilator G.U-DUCOFLAT 100 GF-S | Weather shield G.U-DUCOFLAT 100 punched aluminium profile, L = to measure | 6-30429-98-0-1/7/9 | |
| Flap ventilator G.U-DUCOFLAT 100 GF, 100 GF-S | Glazing gasket , L = to measure | 9-42311-98-0-6 | |
| Hand control also required with rod control | Bag accessories G.U-DUCOFLAT 100 GF 20 | K-15531-98-0-1/6/7 | |
| | Bag accessories G.U-DUCOFLAT 100 GF 24 | K-15532-98-0-1/6/7 | |
| | Bag accessories G.U-DUCOFLAT 100 GF 28 | K-15533-98-0-1/6/7 | |
| | Components each, assembled | | |
| | 1 End cap left | | |
| | 1 End cap right | | |
| | 4 Screws 3,9 x 19, stainless | | |
| Rod control supplementary to hand lever | Bag accessories rod | K-15529-98-0-1/6/7 | |
| | Components assembled | | |
| | 1 Rod guide | 9-39996-00-0-1/6/7 | |
| | 1 End plug | 9-39999-00-0-6 | |
| | 1 Rod angle 40 | 9-39995-00-0-1/6/7 | |
| | 1 Lever 50 | 9-39994-00-0-1/6/7 | |
| | Rod (aluminium) – Ø 10 mm , L = to measure, loose | 9-39955-98-0-1/7/9 | |
| | | lh application | rh application |
| Cord control Cord length = 1500 mm | Bag accessories G.U-DUCOFLAT 100 GF 20 | K-15563-98-L-1/6/7 | K-15563-98-R-1/6/7 |
| | Bag accessories G.U-DUCOFLAT 100 GF 24 | K-15564-98-L-1/6/7 | K-15564-98-R-1/6/7 |
| | Bag accessories G.U-DUCOFLAT 100 GF 28 | K-15565-98-L-1/6/7 | K-15565-98-R-1/6/7 |
| | Components each, assembled | | |
| | 1 End cap left | | |
| | 1 End cap right | | |
| | 4 Screws 3,9 x 19, stainless | | |
| Division of flap B > 1250 mm | 1 Intermediate piece , assembled | 9-39990-98-0-6 | |

[1] 1 = EV 1, 6 = black, 7 = white RAL 9016, 9 = special RAL colour

Horizontal and vertical installation in the frame



Flap ventilator G.U-DUCOFLAT 100 BF 20



Installed thickness 21 mm

Application

Horizontal or vertical installation in the frame of timber, PVC and aluminium windows or fixed glazings.

Dimensions

| Description | Dim. mm |
|--|---------|
| Flap ventilator | |
| Ventilator height | 116,0 |
| Total depth | 35,3 |
| Stock length | 6000,0 |
| Installed length max. | 2500,0 |
| Reduction end caps (cut length of ventilator) | 2 x 39 |

Installation

The ventilators are fixed with glazing beads. Sealing is effected with silicone-based material or with gaskets.

Description

Flap ventilator with thermal break manufactured from extruded aluminium profiles, plastic flap with gasket as perfect seal against wind and water ingress. Maximum undivided flap length: 1250 mm. Inside grille is punched and acts as insect mesh. Plastic end caps with integrated control elements. Inside grille detachable for cleaning. Draught free flow of incoming air over total length of ventilator.

Operation

The flap ventilator is controlled by:

- Hand lever
- Cord
- Rod

Finish

| Description | Colour |
|-----------------|--|
| Flap ventilator | -1 = anodized EV 1 -7 = white (RAL 9016) -9 = special RAL colour |

Further colours upon request.

Measured values

| Pressure differential | Airflow per metre |
|--|---------------------------|
| 2 Pa | 56,0 m ³ /h |
| 4 Pa | 75,0 m ³ /h |
| 10 Pa | 117,0 m ³ /h |
| 30 Pa | 190,0 m ³ /h |
| Free area | 150 cm ² /m |
| Coefficient of joint permeability »a« at 10 Pa Pressure differential | 0,4 m ³ /h · m |
| Weighting coefficient of sound damping reference surface 1,9 m ² | |
| Ventilator closed | Rw 32 dB |
| Ventilator open | Rw 16 dB |
| U-value (k-value) | 3,4 W/m ² · K |

Cut to measure "size -98"

When the ventilators are ordered cut to measure, the size in the order number is 98. In this case, delivery comprises the following services:

- cutting the ventilator to measure
- assembly of end pieces on both sides
- with ventilator lengths from 1250 mm assembly of the intermediate piece
- cutting the glazing gasket to measure
- with rod control: cutting the rod, assembly of lever and end plug

Stock version

Flap ventilator and glazing gasket in fixed dimensions, accessories assembled, loose rod

| Application | Description | PU | Article No. | |
|---|--|----|--------------------|--------------------|
| Timber, PVC and aluminium windows | Flap ventilator G.U-DUCOFLAT 100 BF 20 , L = 6000 mm | 2 | 6-30414-60-0-1/7 | |
| Hand control also required with rod control | Bag accessories G.U-DUCOFLAT 100 BF 20 Components 1 End cap left 1 End cap right 4 Screws 3,9 x 19, stainless | 40 | K-15534-00-0-1/6/7 | |
| Rod control supplementary to hand lever | Bag accessories rod Components 1 Rod guide 1 End plug 1 Rod angle 40 1 Lever 50 Rod (aluminium) – Ø 10 mm, L = 6000 mm | 40 | K-15529-00-0-1/6/7 | |
| | | | lh application | rh application |
| Cord control Cord length = 1500 mm | Bag accessories G.U-DUCOFLAT 100 BF 20 Components 1 End cap left 1 End cap right 4 Screws 3,9 x 19, stainless | 40 | K-15530-00-L-1/6/7 | K-15530-00-R-1/6/7 |
| Division of flap B > 1250 mm | 1 Intermediate piece , loose | 40 | 9-39990-00-0-6 | |

[1] 1 = EV 1, 6 = black, 7 = white RAL 9016

Cut to measure / special RAL colours

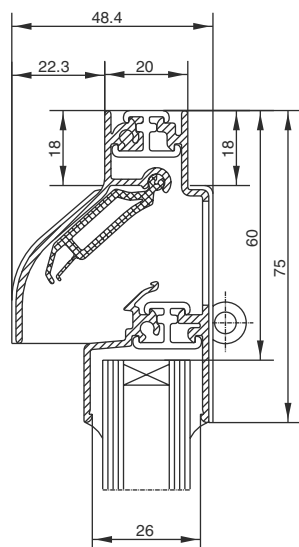
Flap ventilator and glazing gasket in fixed dimensions, accessories assembled, loose rod

| Application | Description | Article No. | |
|---|--|--------------------|--------------------|
| Timber, PVC and aluminium windows | Flap ventilator G.U-DUCOFLAT 100 BF 20 , L = to measure | 6-30414-98-0-1/7/9 | |
| Hand control also required with rod control | Bag accessories G.U-DUCOFLAT 100 BF 20 Components assembled 1 End cap left 1 End cap right 4 Screws 3,9 x 19, stainless | K-15534-98-0-1/6/7 | |
| Rod control supplementary to hand lever | Bag accessories rod Components assembled 1 Rod guide 1 End plug 1 Rod angle 40 1 Lever 50 Rod (aluminium) – Ø 10 mm, L = to measure, loose | K-15529-98-0-1/6/7 | |
| | | lh application | rh application |
| Cord control Cord length = 1500 mm | Bag accessories G.U-DUCOFLAT 100 BF 20 Components assembled 1 End cap left 1 End cap right 4 Screws 3,9 x 19, stainless | K-15530-98-L-1/6/7 | K-15530-98-R-1/6/7 |
| Division of flap B > 1250 mm | 1 Intermediate piece , assembled | 9-39990-98-0-6 | |

[1] 1 = EV 1, 6 = black, 7 = white RAL 9016, 9 = special RAL colour

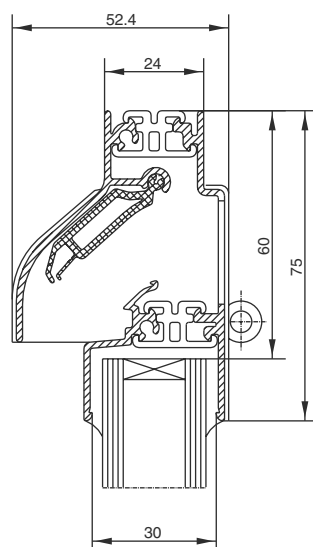
Horizontal installation in the glazing rebate
Connection to glazing at the bottom

**Flap ventilator
G.U-DUCOPLUS 60 GF 20**



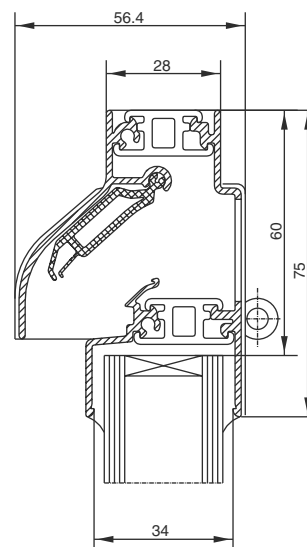
Glass thickness up to 20 mm
Glazing gasket 9-42311-00-0-6

**Flap ventilator
G.U-DUCOPLUS 60 GF 24**



Glass thickness up to 24 mm
Glazing gasket 9-42311-00-0-6

**Flap ventilator
G.U-DUCOPLUS 60 GF 28**



Glass thickness up to 28 mm
Glazing gasket 9-42311-00-0-6

Application

Horizontal installation in the glazing rebate of timber, PVC or aluminium windows or fixed glazings. Connection to glazing at the bottom.

Dimensions

| Description | Dim. mm |
|--|---------|
| Flap ventilator | |
| Ventilator height | 75,0 |
| Glass reduction | 60,0 |
| Total depth G.U-DUCOPLUS 60 GF 20 | 48,4 |
| Total depth G.U-DUCOPLUS 60 GF 24 | 52,4 |
| Total depth G.U-DUCOPLUS 60 GF 28 | 56,4 |
| Stock length | 6000,0 |
| Installed length max. | 2500,0 |
| Reduction end caps (cut length of ventilator) | 2 x 39 |

Installation

The ventilators are fixed with glazing beads. Sealing is effected with silicone-based material or with gaskets.

Description

Flap ventilator with thermal break manufactured from extruded aluminium profiles, plastic flap with gasket as perfect seal against wind and water ingress. Maximum undivided flap length: 1250 mm. Inside grille is slotted and acts as insect mesh. Plastic end caps with integrated control elements. Draught free flow of incoming air over total length of ventilator.

Operation

The flap ventilator is controlled by:

- hand lever
- cord
- rod

Finish

| Description | Colour |
|-----------------|--|
| Flap ventilator | -1 = anodized EV 1 -7 = white (RAL 9016) -9 = special RAL colour |

Further colours upon request.

Measured values

| Pressure differential | Airflow per metre |
|--|---------------------------|
| 2 Pa | 45,0 m ³ /h |
| 4 Pa | 68,0 m ³ /h |
| 10 Pa | 163,0 m ³ /h |
| 30 Pa | 210,0 m ³ /h |
| Free area | 150 cm ² /m |
| Coefficient of joint permeability »a« at 10 Pa Pressure differential | 0,5 m ³ /h · m |
| Weighting coefficient of sound damping reference surface 1,9 m ² | |
| Ventilator closed | Rw 33 dB |
| Ventilator open | Rw 15 dB |
| U-value (k-value) | 3,4 W/m ² · K |

Cut to measure "size -98-"

When the ventilators are ordered cut to measure, the size in the order number is 98. In this case, delivery comprises the following services:

- cutting the ventilator to measure
- assembly of end pieces on both sides
- with ventilator lengths from 1250 mm assembly of the intermediate piece
- cutting the glazing gasket to measure
- with rod control: cutting the rod, assembly of lever and end plug

Stock version

Flap ventilator, glazing gasket and rod in stock length, loose bag of accessories

| Application | Description | PU | Article No. | |
|---|--|----|------------------|------------------|
| Timber, PVC and aluminium windows | Flap ventilator G.U-DUCOPLUS 60 GF 20 , L = 6000 mm | 2 | 6-30420-60-0-1/7 | |
| | Flap ventilator G.U-DUCOPLUS 60 GF 24 , L = 6000 mm | 2 | 6-30421-60-0-1/7 | |
| | Flap ventilator G.U-DUCOPLUS 60 GF 28 , L = 6000 mm | 2 | 6-30422-60-0-1/7 | |
| Flap ventilator G.U-DUCOPLUS 60 GF | Glazing gasket , 50 m on roll | 1 | 9-42311-00-0-6 | |
| Hand control also required with rod control | Bag accessories G.U-DUCOPLUS 60 GF 20 | 40 | K-15537-00-0-6/7 | |
| | Bag accessories G.U-DUCOPLUS 60 GF 24 | 40 | K-15538-00-0-6/7 | |
| | Bag accessories G.U-DUCOPLUS 60 GF 28 | 40 | K-15539-00-0-6/7 | |
| | Components each | | | |
| | 1 End cap left | | | |
| | 1 End cap right | | | |
| | 4 Screws 3,9 x 19, stainless | | | |
| Rod control supplementary to hand lever | Bag accessories rod | 40 | K-15529-00-0-6/7 | |
| | Components | | | |
| | 1 Rod guide | | 9-39996-00-0-6/7 | |
| | 1 End plug | | 9-39999-00-0-6 | |
| | 1 Rod angle 40 | | 9-39995-00-0-6/7 | |
| | 1 Lever 50 | | 9-39994-00-0-6/7 | |
| | Rod (aluminium) – Ø 10 mm, L = 6000 mm | 2 | 9-39955-60-0-1/7 | |
| | | | lh application | rh application |
| Cord control Cord length = 1500 mm | Bag accessories G.U-DUCOPLUS 60 GF 20 | 40 | K-15556-00-L-6/7 | K-15556-00-R-6/7 |
| | Bag accessories G.U-DUCOPLUS 60 GF 24 | 40 | K-15557-00-L-6/7 | K-15557-00-R-6/7 |
| | Bag accessories G.U-DUCOPLUS 60 GF 28 | 40 | K-15558-00-L-6/7 | K-15558-00-R-6/7 |
| | Components each | | | |
| | 1 End cap left | | | |
| | 1 End cap right | | | |
| | 4 Screws 3,9 x 19, stainless | | | |
| Division of flap B > 1250 mm | 1 Intermediate piece , loose | 40 | 9-39988-00-0-6 | |

[1] 1 = EV 1, 6 = black, 7 = white RAL 9016

Cut to measure / special RAL colours

Flap ventilator and glazing gasket in fixed dimensions, accessories assembled, loose rod

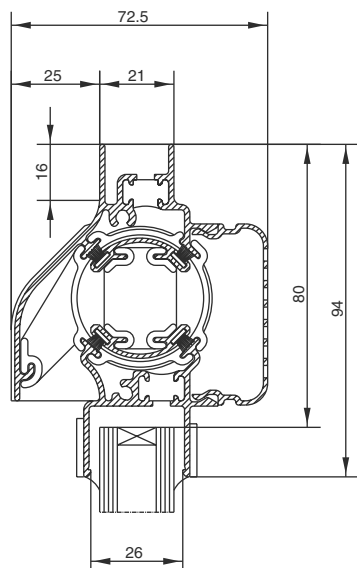
| Application | Description | Article No. | |
|---|---|--------------------|------------------|
| Timber, PVC and aluminium windows | Flap ventilator G.U-DUCOPLUS 60 GF 20 , L = to measure | 6-30420-98-0-1/7/9 | |
| | Flap ventilator G.U-DUCOPLUS 60 GF 24 , L = to measure | 6-30421-98-0-1/7/9 | |
| | Flap ventilator G.U-DUCOPLUS 60 GF 28 , L = to measure | 6-30422-98-0-1/7/9 | |
| Flap ventilator G.U-DUCOPLUS 60 GF | Glazing gasket , L = to measure | 9-42311-98-0-6 | |
| Hand control also required with rod control | Bag accessories G.U-DUCOPLUS 60 GF 20 | K-15537-98-0-6/7 | |
| | Bag accessories G.U-DUCOPLUS 60 GF 24 | K-15538-98-0-6/7 | |
| | Bag accessories G.U-DUCOPLUS 60 GF 28 | K-15539-98-0-6/7 | |
| | Components each, assembled | | |
| | 1 End cap left | | |
| | 1 End cap right | | |
| | 4 Screws 3,9 x 19, stainless | | |
| Rod control supplementary to hand lever | Bag accessories rod | K-15529-98-0-6/7 | |
| | Components assembled | | |
| | 1 Rod guide | 9-39996-00-0-6/7 | |
| | 1 End plug | 9-39999-00-0-6 | |
| | 1 Rod angle 40 | 9-39995-00-0-6/7 | |
| | 1 Lever 50 | 9-39994-00-0-6/7 | |
| | Rod (aluminium) – Ø 10 mm, L = to measure, loose | 9-39955-98-0-1/7/9 | |
| | | lh application | rh application |
| Cord control Cord length = 1500 mm | Bag accessories G.U-DUCOPLUS 60 GF 20 | K-15556-98-L-6/7 | K-15556-98-R-6/7 |
| | Bag accessories G.U-DUCOPLUS 60 GF 24 | K-15557-98-L-6/7 | K-15557-98-R-6/7 |
| | Bag accessories G.U-DUCOPLUS 60 GF 28 | K-15558-98-L-6/7 | K-15558-98-R-6/7 |
| | Components each, assembled | | |
| | 1 End cap left | | |
| | 1 End cap right | | |
| | 4 Screws 3,9 x 19, stainless | | |
| Division of flap B > 1250 mm | 1 Intermediate piece , assembled | 9-39988-00-0-6 | |

[1] 1 = EV 1, 6 = black, 7 = white RAL 9016, 9 = special RAL colour

Horizontal installation in the glazing rebate
Connection to glazing at the bottom

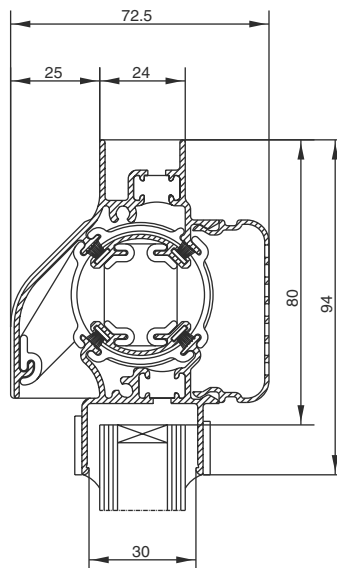
DUCO
ART IN VENTILATION

Rotating drum ventilator G.U-DUCOTON 80 GF 20



Glass thickness up to 20 mm
Glazing gasket 9-42311-00-0-6

Rotating drum ventilator G.U-DUCOTON 80 GF 24



Glass thickness up to 24 mm
Glazing gasket 9-42311-00-0-6

Application

Horizontal installation in the glazing rebate of timber, PVC or aluminium windows or fixed glazings. Connection to glazing at the bottom.

Dimensions

| Description | Dim. mm |
|--|---------|
| Rotating drum ventilator | |
| Ventilator height | 94,0 |
| Glass reduction | 80,0 |
| Total depth DUCOTON 80 GF 20 | 72,5 |
| Total depth DUCOTON 80 GF 24 | 72,5 |
| Stock length | 6000,0 |
| Installed length max. | 3000,0 |
| Reduction end caps (cut length of ventilator) | 2 x 39 |

Installation

The ventilators are fixed with glazing beads. Sealing is effected with silicone-based material or with gaskets.

Description

Thermally broken rotating drum ventilator manufactured from extruded aluminium, rotating cylinder with 4 finseal brushes as perfect seal against wind and water ingress. Maximum undivided drum length: 1500 mm. Inside grille is punched and acts as insect mesh. Plastic end caps with integrated control elements. Easy to clean due to clip on/off removable inside grille. Draught free flow of incoming air over total length of ventilator.

Operation

The flap ventilator is controlled by:

- hand lever
- cord
- rod

Finish

| Description | Colour |
|--------------------------|---|
| Rotating drum ventilator | -1 = anodized EV 1 -7 = white (RAL 9016) |

Further colours upon request.

Measured values

| Pressure differential | Airflow per metre |
|--|---------------------------|
| 2 Pa | 47,0 m ³ /h |
| 4 Pa | 61,0 m ³ /h |
| 10 Pa | 96,0 m ³ /h |
| 30 Pa | 170,0 m ³ /h |
| Free area | 150 cm ² /m |
| Coefficient of joint permeability »a« at 10 Pa Pressure differential | 2,4 m ³ /h · m |
| Weighting coefficient of sound damping reference surface 1,9 m ² | |
| Ventilator closed | Rw 20 dB |
| Ventilator open | Rw 16 dB |
| U-value (k-value) | 3,1 W/m ² · K |

Cut to measure "size -98-"

When the ventilators are ordered cut to measure, the size in the order number is 98. In this case, delivery comprises the following services:

- cutting the ventilator to measure
- assembly of end pieces on both sides
- with ventilator lengths from 1500 mm assembly of the intermediate piece
- cutting the glazing gasket to measure
- with rod control: cutting the rod, assembly of lever and end plug

Stock version

Rotating drum ventilator, glazing gasket and rod in stock length, loose bag of accessories

| Application | Description | PU | Article No. | |
|---|--|----|--------------------|------------------|
| Timber, PVC and aluminium windows | Rotating drum ventilator G.U-DUCOTON 80 GF 20 , L = 6000 mm | 2 | 6-30521-60-0-1/7 | |
| | Rotating drum ventilator G.U-DUCOTON 80 GF 24 , L = 6000 mm | 2 | 6-30522-60-0-1/7 | |
| Rotating drum ventilator G.U-DUCOTON 80 GF | Glazing gasket , 50 m on roll | 1 | 9-42311-00-0-6 | |
| Hand control also required with rod control | Bag accessories G.U-DUCOTON 80 GF 20 | 40 | K-15569-00-0-1/6/7 | |
| | Bag accessories G.U-DUCOTON 80 GF 24 | 40 | K-15570-00-0-1/6/7 | |
| | Components each | | | |
| | 1 End cap left | | | |
| | 1 End cap right | | | |
| | 4 Screws 4,2 x 38, stainless | | | |
| Rod control supplementary to hand lever | Bag accessories rod | 40 | K-15529-00-0-6/7 | |
| | Components | | | |
| | 1 Rod guide | | 9-39996-00-0-6/7 | |
| | 1 End plug | | 9-39999-00-0-6 | |
| | 1 Rod angle 40 | | 9-39995-00-0-6/7 | |
| | 1 Lever 50 | | 9-39994-00-0-6/7 | |
| | Rod (aluminium) – Ø 10 mm , L = 6000 mm | 2 | 9-39955-60-0-1/7 | |
| | | | lh application | rh application |
| Cord control Cord length = 1500 mm | Bag accessories G.U-DUCOTON 80 GF 20 | 40 | K-15571-00-L-6/7 | K-15571-00-R-6/7 |
| | Bag accessories G.U-DUCOTON 80 GF 24 | 40 | K-15572-00-L-6/7 | K-15572-00-R-6/7 |
| | Components each | | | |
| | 1 End cap left | | | |
| | 1 End cap right | | | |
| | 4 Screws 4,2 x 38, stainless | | | |
| Divided drum B > 1500 mm | 2 Intermediate piecee , loose | 40 | 9-39991-00-0-6 | |

[1] 1 = EV 1, 6 = black, 7 = white RAL 9016

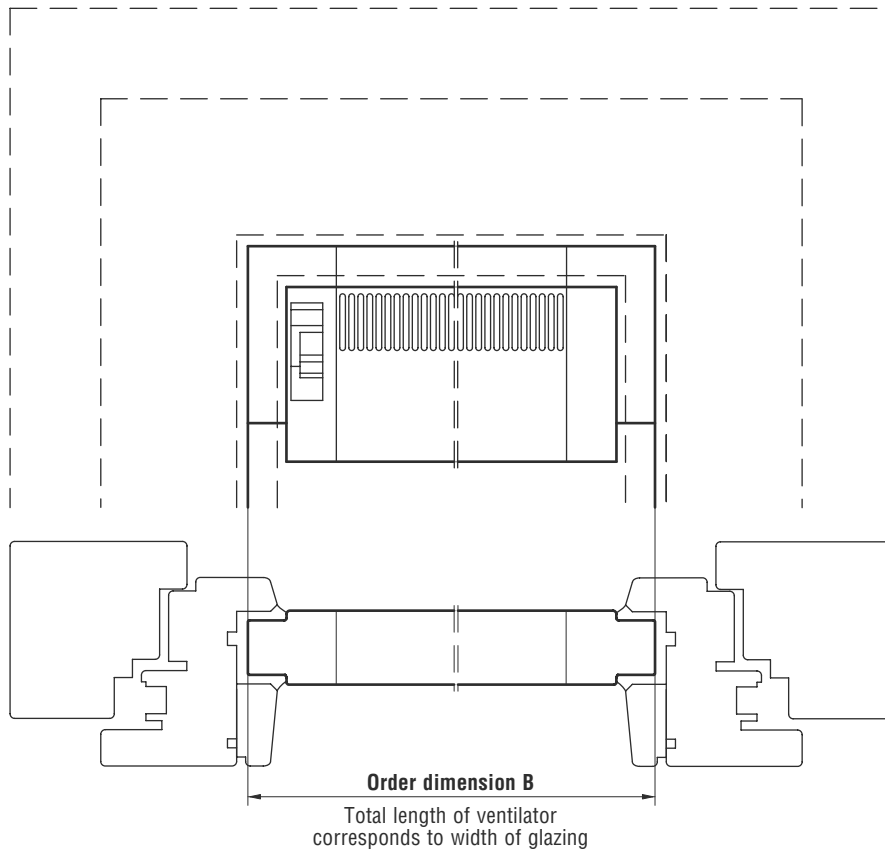
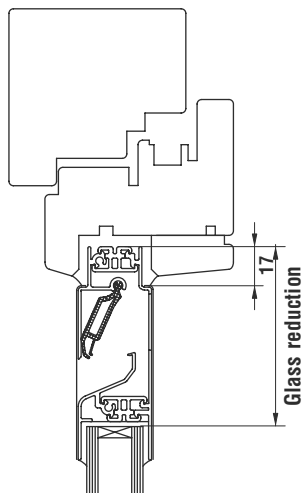
Cut to measure

Rotating drum ventilator and glazing gasket in fixed dimensions, accessories assembled, rod loose

| Application | Description | PU | Article No. | |
|---|---|----|--------------------|------------------|
| Timber, PVC and aluminium windows | Rotating drum ventilator G.U-DUCOTON 80 GF 20 , L = to measure | 2 | 6-30521-98-0-1/7 | |
| | Rotating drum ventilator G.U-DUCOTON 80 GF 24 , L = to measure | 2 | 6-30522-98-0-1/7 | |
| Rotating drum ventilator G.U-DUCOTON 80 GF | Glazing gasket , L = to measure | 1 | 9-42311-98-0-6 | |
| Hand control also required with rod control | Bag accessories G.U-DUCOTON 80 GF 20 | 40 | K-15569-98-0-1/6/7 | |
| | Bag accessories G.U-DUCOTON 80 GF 24 | 40 | K-15570-98-0-1/6/7 | |
| | Components each, assembled | | | |
| | 1 End cap left | | | |
| | 1 End cap right | | | |
| | 4 Screws 4,2 x 38, stainless | | | |
| Rod control supplementary to hand lever | Bag accessories rod | 40 | K-15529-98-0-6/7 | |
| | Components assembled | | | |
| | 1 Rod guide | | 9-39996-00-0-6/7 | |
| | 1 End plug | | 9-39999-00-0-6 | |
| | 1 Rod angle 40 | | 9-39995-00-0-6/7 | |
| | 1 Lever 50 | | 9-39994-00-0-6/7 | |
| | Rod (aluminium) – Ø 10 mm , L = to measure | 2 | 9-39955-98-0-1/7 | |
| | | | lh application | rh application |
| Cord control Cord length = 1500 mm | Bag accessories G.U-DUCOTON 80 GF 20 | 40 | K-15571-98-L-6/7 | K-15571-98-R-6/7 |
| | Bag accessories G.U-DUCOTON 80 GF 24 | 40 | K-15572-98-L-6/7 | K-15572-98-R-6/7 |
| | Components each assembled | | | |
| | 1 End cap left | | | |
| | 1 End cap right | | | |
| | 4 Screws 4,2 x 38, stainless | | | |
| Divided drum B > 1500 mm | 2 Intermediate piecee , assembled | 40 | 9-39991-98-0-6 | |

[1] 1 = EV 1, 6 = black, 7 = white RAL 9016

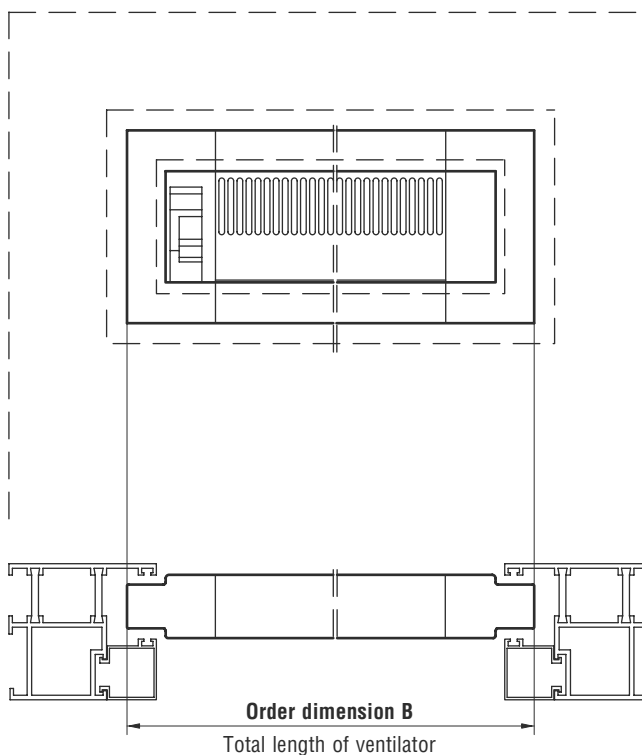
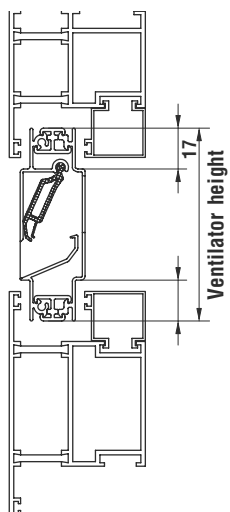
Horizontal installation in glazing rebate



Glass reductions

| Type of ventilator | Reduction mm |
|-----------------------|--------------|
| G.U-DUCOFLAT 80 GF | 80 |
| G.U-DUCOFLAT 80 GFO | 90 |
| G.U-DUCOFLAT 100 GF | 100 |
| G.U-DUCOPLUS 60 GF | 60 |
| G.U-DUCOTON 80 GF | 80 |
| Type of ventilator | Reduction mm |
| G.U-DUCOFLAT 100 GF-S | 100 |

Horizontal installation in the frame



Ventilator height

| Type of ventilator | Height of ventilator mm |
|---------------------|-------------------------|
| G.U-DUCOFLAT 80 BF | 85 |
| G.U-DUCOFLAT 100 BF | 116 |

Note:
Vertical installation is dimensioned accordingly.

Ordering G.U-DUCO ventilators cut to measure



Customer

Address 1 _____
 Address 2 _____
 Street / No. _____
 Code / Town, city _____
 Telephone _____

Delivery address

Address 1 _____
 Address 2 _____
 Street / No. _____
 Code / Town, city _____
 Telephone _____

Order references

Customer's order number _____
 Project _____
 Commission _____
 Person in charge _____
 Telephone _____

Position

Pos. No. _____
Number of ventilators, (pcs) _____
Order dim. B, mm _____
 (Total length of ventilator)

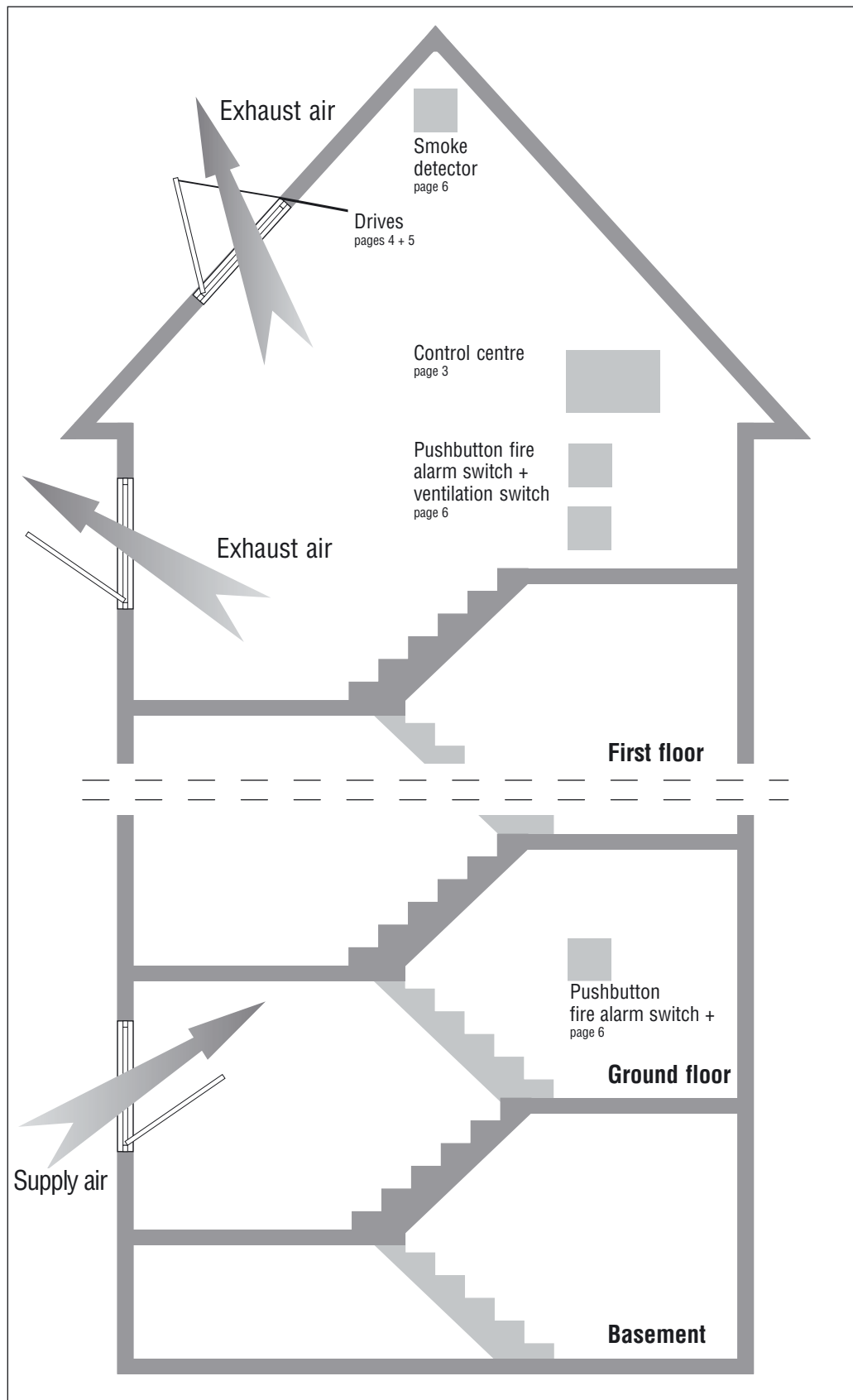
| G.U-DUCOFLAT 80 | Finish Standard colours | | Special colours to RAL | | | Accessories hand lever | Accessories rod | Rod 9-39955-98-0-* | Accessories cord | Operation side viewed from inside | Glazing gasket 9-42311-98-0-6 |
|----------------------------|-------------------------|------------|------------------------|----------------|-----------------|------------------------|--------------------|--------------------|--------------------|--|-------------------------------|
| | Colour: -1 | Colour: -7 | both sides RAL no. | inside RAL no. | outside RAL no. | Colours: -6/7 | Colours: -6/7 | Colours: -1/7/9 | Colours: -6/7 | | L = Dim. B |
| [] GF 20 6-30409-98-0-* | [] EV 1 | [] white | [] _____ | [] _____ | [] _____ | [] K-15523-98-0-* | [] K-15529-98-0-* | L = _____ mm | [] K-15560-98-0-* | [] lh [] rh | [] with [] without |
| [] GF 24 6-30410-98-0-* | [] EV 1 | [] white | [] _____ | [] _____ | [] _____ | [] K-15524-98-0-* | [] K-15529-98-0-* | L = _____ mm | [] K-15561-98-0-* | [] lh [] rh | [] with [] without |
| [] GF 28 6-30411-98-0-* | [] EV 1 | [] white | [] _____ | [] _____ | [] _____ | [] K-15525-98-0-* | [] K-15529-98-0-* | L = _____ mm | [] K-15562-98-0-* | [] lh [] rh | [] with [] without |
| [] GFO 20 6-30412-98-0-* | [] EV 1 | [] white | [] _____ | [] _____ | [] _____ | [] K-15527-98-0-* | | | | [] lh [] rh | [] with [] without |
| [] GFO 24 6-30413-98-0-* | [] EV 1 | [] white | [] _____ | [] _____ | [] _____ | [] K-15528-98-0-* | | | | [] lh [] rh | [] with [] without |
| [] BF 20 6-30408-98-0-* | [] EV 1 | [] white | [] _____ | [] _____ | [] _____ | [] K-15526-98-0-* | [] K-15529-98-0-* | L = _____ mm | [] K-15559-98-0-* | [] lh [] rh | |
| [] BF 24 6-31144-98-0-* | [] EV 1 | [] white | [] _____ | [] _____ | [] _____ | [] K-15742-98-0-* | [] K-15529-98-0-* | L = _____ mm | [] K-15743-98-0-* | [] lh [] rh | |
| G.U-DUCOFLAT 100 | Colour: -1 | Colour: -7 | RAL no. | RAL no. | RAL no. | Colours: -1/6/7 | Colours: -1/6/7 | Colours: -1/7/9 | Colours: -1/6/7 | | |
| [] GF 20 6-30415-98-0-* | [] EV 1 | [] white | [] _____ | [] _____ | [] _____ | [] K-15531-98-0-* | [] K-15529-98-0-* | L = _____ mm | [] K-15563-98-0-* | [] lh [] rh | [] with [] without |
| [] GF 24 6-30416-98-0-* | [] EV 1 | [] white | [] _____ | [] _____ | [] _____ | [] K-15532-98-0-* | [] K-15529-98-0-* | L = _____ mm | [] K-15564-98-0-* | [] lh [] rh | [] with [] without |
| [] GF 28 6-30417-98-0-* | [] EV 1 | [] white | [] _____ | [] _____ | [] _____ | [] K-15533-98-0-* | [] K-15529-98-0-* | L = _____ mm | [] K-15565-98-0-* | [] lh [] rh | [] with [] without |
| [] BF 20 6-30414-98-0-* | [] EV 1 | [] white | [] _____ | [] _____ | [] _____ | [] K-15534-98-0-* | [] K-15529-98-0-* | L = _____ mm | [] K-15530-98-0-* | [] lh [] rh | |
| G.U-DUCOPLUS 60 | Colour: -1 | Colour: -7 | RAL no. | RAL no. | RAL no. | Colours: -6/7 | Colours: -6/7 | Colours: -1/7/9 | Colours: -6/7 | | |
| [] GF 20 6-30420-98-0-* | [] EV 1 | [] white | [] _____ | [] _____ | [] _____ | [] K-15537-98-0-* | [] K-15529-98-0-* | L = _____ mm | [] K-15556-98-0-* | [] lh [] rh | [] with [] without |
| [] GF 24 6-30421-98-0-* | [] EV 1 | [] white | [] _____ | [] _____ | [] _____ | [] K-15538-98-0-* | [] K-15529-98-0-* | L = _____ mm | [] K-15557-98-0-* | [] lh [] rh | [] with [] without |
| [] GF 28 6-30422-98-0-* | [] EV 1 | [] white | [] _____ | [] _____ | [] _____ | [] K-15539-98-0-* | [] K-15529-98-0-* | L = _____ mm | [] K-15558-98-0-* | [] lh [] rh | [] with [] without |
| G.U-DUCOTON 80 | Colour: -1 | Colour: -7 | | | | Colours: -6/7 | Colours: -6/7 | Colours: -1/7 | Colours: -6/7 | | |
| [] GF 20 6-30521-98-0-* | [] EV 1 | [] white | | | | [] K-15569-98-0-* | [] K-15529-98-0-* | L = _____ mm | [] K-15571-98-0-* | [] lh [] rh | [] with [] without |
| [] GF 24 6-30522-98-0-* | [] EV 1 | [] white | | | | [] K-15570-98-0-* | [] K-15529-98-0-* | L = _____ mm | [] K-15572-98-0-* | [] lh [] rh | [] with [] without |
| G.U-DUCOFLAT 100 S | Finish Standard colours | | Special colours to RAL | | | Accessories hand lever | Weather shield | | | Connection to glazing viewed from inside | Glazing gasket 9-42311-98-0-6 |
| [] GF-S 20 6-30415-98-0-* | Colour: -1 | Colour: -7 | both sides RAL no. | inside RAL no. | outside RAL no. | Colours: -1/6/7 | Colours: -1/7/9 | | | | L = Dim. B |
| [] GF-S 20 6-30415-98-0-* | [] EV 1 | [] white | [] _____ | [] _____ | [] _____ | K-15531-98-0-* | 6-30429-98-0-* | | | [] lh [] rh | [] with [] without |

Product group

| **Smoke and heat venting systems (RWA)**

9

General information: RWA – functional principle and application



Smoke and heat venting systems (RWA) protect people, buildings, interiors and merchandise against the effects of heat and toxic fire gases.

Functional principle

In the process of combustion, smoke, heat and hot fire gases are produced which rise in the room due to thermal lift and form a layer of smoke and fire gases under the ceiling.

With the fire proceeding, this smoke layer becomes more and more dense, and within a short period of time the total room is filled by it.

With electromotive drives of G.U.-BKS, an almost immediate opening of RWA apertures in the upper area of a building is achieved (if necessary the opening of supply air apertures also), provided smoke detectors are installed. As a result, combustion products can exhaust as soon as they are produced.

Supply air apertures in the lower part of a building ensure the necessary balance of the mass flow and increase the effect of thermal lift.

Application

The application of smoke and heat venting systems is determined by national and/or regional building regulations.

On the following pages we present the VdS tested G.U.-BKS smoke and heat venting system (System approval no. S 502003).

The VdS approval applies only if the smoke and heat venting system (RWA) consists of VdS tested components exclusively.

(VdS = Association of German non-life insurers)

EMB 7200



RWA control centre EMB 7200 in compact design for the installation in stairways. Suitable for the electromotive operation of RWA apertures and for daily ventilation.

Features

- RWA board with one ventilation line and two detector lines
- Electronic monitoring of detector and drive lines
- Connection and setting of wind and rain detectors without additional components
- Integrated runtime limitation and closing automatic for routine ventilation.
- VdS tested and approved (German association of non-life insurers)

VdS Approval no.
G 502001

| Description | PU | Article No. |
|--|----|----------------|
| RWA control centre EMB 7200 Sheet steel casing, surface mounting Pearl white finish (RAL 1013) Locking with security cylinder insert | 1 | 9-41996-00-0-0 |

| Technical data | |
|--------------------------|--|
| – Nominal voltage | 230 V AC, 50 Hz |
| – Nominal power | 120 VA |
| – Output voltage | 24 V DC |
| – Check time | approx. 72 hrs |
| – Width | 350 mm |
| – Height | 250 mm |
| – Depth | 120 mm |
| – Weight | 6 kg |
| – Protection class | IP 20 |
| – Ambient temperature | -5 °C up to +40 °C |
| – Free slots for modules | 2 – for relais REL 65 1 – for maintenance |

| Standard equipment | |
|--------------------|-----------------------------------|
| – | 1 RWA and ventilation line |
| – | 2 monitored detector lines |
| – | 1 basic circuit board |
| – | 1 power supply unit, 230 V, 50 Hz |
| – | 2 accumulators 12 V, 2 Ah each |

Options
The control centre can be extended with plug-in modules.

Spindle drive ELTRAL SP 6/24



Features

- Maintenance-free linear spindle drive
- Suitable for tilt, top hung, side hung, horizontal and vertical pivot windows, light domes, sunblinds
- Durable, low noise spindle with self-locking
- Runtime limitation via limit switch and electronic load interruption
- Meets the requirements to DIN 18 232
- VdS tested and approved (German association of non-life insurers)

VdS Approval no.
G 599010

Description

Spindle drive ELTRAL SP 6/24
Aluminium casing EV 1 anodised

Variants

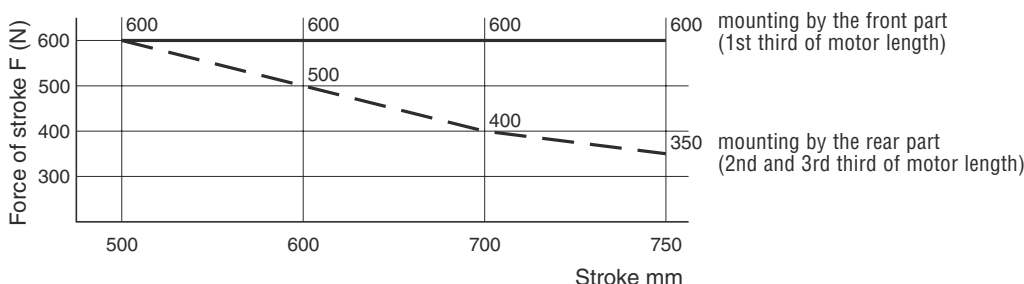
| Various strokes | Total length | PU | Article No. |
|-----------------|--------------|----|----------------|
| – Stroke 100 mm | 290 mm | 1 | 9-39067-10-0-1 |
| – Stroke 200 mm | 390 mm | 1 | 9-39067-20-0-1 |
| – Stroke 300 mm | 490 mm | 1 | 9-39067-30-0-1 |
| – Stroke 400 mm | 590 mm | 1 | 9-39067-40-0-1 |
| – Stroke 500 mm | 690 mm | 1 | 9-39067-50-0-1 |
| – Stroke 750 mm | 940 mm | 1 | 9-39067-75-0-1 |

Technical data

| | |
|---------------------------|--|
| – Supply voltage | 24 V DC |
| – Current consumption | 1,9 A |
| – Max. force of stroke | 600 N |
| – Stress tested up to | 3000 N |
| – Running time– full load | 13,6 mm/s |
| – Running time – 2/3 load | 16,1 mm/s |
| – Intermittent duty ratio | 60% |
| – Protection class | IP 54 [1] |
| – Ambient temperature | -5 °C bis +75 °C |
| – Connectable in parallel | yes |
| – Connecting cable | 2 x 0,75 mm ² , approx. 1 m |

[1] Protection class IP 65 on request.

Load-displacement diagram



All drives are delivered without mounting brackets, sash supports and clamping pieces!

Chain drive ELTRAL KSA



Features

- Suitable for high pressure loads
- Smooth running due to electronically controlled soft load interruption and adjustable chain tension
- Suitable for tandem or triple operation without extra module
- Meets the requirements to DIN 18 232
- VdS tested and approved (German association of non-life insurers)

VdS Approval no.
G 504003

Description

Chain drive ELTRAL KSA MP/24
Stainless steel chain
Casing: Finish EV 1 anodised or RAL special colour on request.

Variants

| Variant | Stroke [mm] | Total length [mm] | PU | Article No. |
|---------------|-------------|-------------------|----|----------------|
| KSA MP | | | | |
| 250/24 VdS | 250 | 461 | 1 | 9-43138-25-0-1 |
| 400/24 VdS | 400 | 537 | 1 | 9-43138-40-0-1 |

Variant KSA Z (with switch for „COMMON CLOSED“) available for all types of drives.

Technical data

| | |
|---------------------------|---|
| – Supply voltage | 24 V DC |
| – Current consumption | 1,2 A |
| – Max. force of stroke | 500 N |
| – Traction | 600 N |
| – Running time– full load | 6,9 mm/s |
| – Running time – 2/3 load | 8,2 mm/s |
| – Intermittent duty ratio | 30% |
| – Protection class | IP 32 |
| – Ambient temperature | -5 °C bis +75 °C |
| – Connecting cable | 5 x 0,5 mm ² , approx. 5 m [1] |










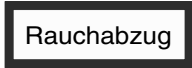
[1] Connecting cable up to max. 10 m on request.

Scope of delivery*

Included in the delivery of drive:

- Support for sash with packings
- Support for sash with locking pin
 - 2 packings of 3 mm, 3 packings of 5 mm
 - Spacer ring, release plug and various dummy plugs
 - Self-adhesive warning symbol

***All drives are delivered without mounting brackets and sash supports!**

| Product | Description | Product | Description |
|--|---|---|--|
|  | <p>Optical smoke detector Stray light principle, voltage range 18-30 V DC, alarm display, without relay, surface mounting</p> <p>PVC case, white, Height 80 mm, diametre 120 mm, Protection class IP 44.</p> <p>Article No. 6-32355-00-0-0 VdS approval no. G 297049</p> |  | <p>Ventilation switch, key operated „OPEN-STOP-CLOSED“</p> <p>Plastic casing, flush mounting Dimensions 80 x 152 x 35 mm (W x H x D).</p> <p>Article No. 6-25838-00-0-0</p> |
|  | <p>Thermo-maximum detector Voltage range 20-30 V DC, alarm display, without relay, surface mounting.</p> <p>Plastic casing, white Height 66 mm, diametre 80 mm, Protection class IP 22.</p> <p>Article No. 6-32356-00-0-0 VdS approval no. G 297047</p> |  | <p>Wind and rain set Temperature range: -20 °C to +40 °C consisting of:</p> <ul style="list-style-type: none"> – Wind detector, Anemometer, Measuring principle: impulse transmitter – Rain detector, 24 V DC Functional principle: conductometry – Bracket for mounting on post or wall <p>Article No. K-15331-00-0-0</p> |
|  | <p>Pushbutton fire alarm switch (HSE) with failure display Push button: EMERGENCY OPEN + CLOSED Display: EMERGENCY OPEN, operation and failure. Plastic casing, surface mounting, orange (approx. RAL 2011), dimensions 130 x 130 x 32 mm (W x H x D).</p> <p>Article No. 9-41997-00-0-9x VdS approval no. G 501006</p> |  | <p>Rain detector 24 V DC, current consumption approx. 150 mA, 1 switching contact, max. 24 V, 3 A Functional principle: conductometry Sensor with heated measuring surface, visual display and integrated contactor. Protection class IP 65. 4 m connecting cable. Incl. bracket for wall mounting.</p> <p>Article No. 9-39062-00-0-0</p> |
|  | <p>Pushbutton fire alarm switch, substation (HSE N) Push button: EMERGENCY OPEN Display: EMERGENCY OPEN</p> <p>Plastic casing, surface mounting, orange (approx. RAL 2011), dimensions 130 x 130 x 32 mm (W x H x D).</p> <p>Article No. 9-41998-00-0-9x VdS approval no. G 501006</p> |  | <p>Label „Ventilation“</p> <p>Aluminium, EV 1 eloxiert, black font, engraved.</p> <p>Article No. 9-25546-00-0-1</p> |
|  | <p>Ventilation switch (rocker switch) „OPEN-STOP-CLOSED“</p> <p>Plastic casing, surface mounting, dimensions 80 x 80 x 44 mm (W x H x D).</p> <p>Article No. 6-24372-00-0-0</p> |  | <p>Label „Smoke exhaust“</p> <p>Aluminium, EV 1 anodised, black font, engraved.</p> <p>Article No. 9-22277-00-0-1</p> |

Product programme

Tilt-turn fitting system UNI-JET

Fittings for single and double sash windows and patio doors made of timber, PVC and aluminium – for manual and automatised hardware assembly – for all sizes of window fabricators.

- Comprehensive product range: Tilt-turn, side hung, tilt and first tilt fittings, also for round arch head and oblique angle head windows, in standard version as well as in tested or untested security classes

- Advantages:
 - automatic locking pins
 - central locking mechanism from standard (basic security) up to WK 2
 - tilt-turn stays with integrated slit ventilation
- All fittings with surface sealing ferGUard*silver
- Sash components with clip connection



Technical details, fitting variants

| Fitting variants | Sash width mm | Sash height mm | Sash weight kg |
|-----------------------|---------------|----------------|-------------------|
| Timber and PVC | | | |
| UNI-JET M, UNI-JET S | 280-1600 | 350-2450 | up to 130 |
| UNI-JET D, UNI-JET DV | 280-1600 | 350-2450 | up to 100 |
| Aluminium | | | |
| JET AK 8 | 355-1700 | 500-2400 | up to 130 |
| UNI-JET C | 280-1600 | 350-2450 | 80 / 130 optional |

Parallel slide and tilt fittings

Fittings for parallel slide and tilt units with 2 - 4 sashes.

- One handle operation, stays with forced control (mZ)
- Up to 200 kg sash weight without additional runner
- Designed for sash rebate widths up to 2000 mm (from SRW 1.850 mm with 3rd stay)
- Sashes in tilt position secured against being pushed open
- Multi-level security concept



Technical details, fitting variants

| Fitting variants | Sash width mm | Sash height mm | Sash weight kg |
|-----------------------|---------------|----------------|----------------|
| Timber and PVC | | | |
| G.U-966/200 mZ | 720-2000 | 820-2370 | up to 200 |
| G.U-966/150 mZ | 720-1600 | 820-2370 | up to 150 |
| G.U-966/150 oZ | 640-1600 | 700-2350 | up to 130 |
| G.U-90 oZ | 700-1600 | 700-2350 | up to 90 |
| Aluminium | | | |
| G.U-968/200 mZ | 720-2000 | 820-2370 | up to 200 |
| G.U-968/150 mZ | 720-1600 | 820-2370 | up to 150 |
| G.U-968/150 oZ | 600-1600 | 730-2400 | up to 130 |
| G.U-90 oZ | 600-1600 | 730-2400 | up to 90 |

Lift-slide fitting programme / HS-Master Lift-tilt-slide fittings

Fittings with one handle operation for units with 2 to 6 sashes.

- Lift-locking gear with extended range of application
- Runners with new support
- Security package for all lift-slide units
- **HS-Master** – new convenience due to motor driven lift and slide
- All fittings with surface sealing ferGUard*silver
- Thresholds G.U-thermostep and frame covers



Technical details, fitting variants

| Fitting variants | Sash width mm | Sash height mm | Sash weight kg |
|----------------------------------|---------------|----------------|----------------|
| Timber, PVC and aluminium | | | |
| HS G.U-934 | 720-3300 | 800-2765 | up to 300 |
| HS G.U-937 | 720-2200 | 800-2765 | up to 150 |
| HS G.U-939 | 470-1900 | 1175-2350 | up to 90 |
| HSK G.U-954 | 720-3000 | 855-2750 | up to 250 |
| HSK G.U-957 | 720-2200 | 855-2750 | up to 150 |
| HS-Master | up to -3300 | up to -2750 | up to 300 |

Slide-fold fittings

Fittings for slide-fold units with 3 - 7 sashes.

- 2-wheel runners, bottom running (G.U-922, G.U-822) or top running (G.U-925, G.U-825)
- Runners, sash overlap, sash closing pressure and hinges are adjustable
- All fittings with surface sealing ferGUard*silver



Technical details, fitting variants

| Fitting variants | Sash width mm | Sash height mm | Sash weight kg |
|-----------------------|---------------|----------------|----------------|
| Timber and PVC | | | |
| G.U-922 | 400- 900 | 850-2450 | up to 80 |
| G.U-925 | 400- 900 | 850-2450 | up to 80 |
| Aluminium | | | |
| G.U-822 | 400-1000 | 730-2400 | up to 80 |
| G.U-825 | 400-1000 | 730-2400 | up to 80 |

Horizontal and vertical pivot fittings

Fittings for horizontal and vertical pivot windows with peripheral gasket:

Technical details, fitting variants

| Fitting variants | Sash width mm | Sash height mm | Sash weight kg |
|--|---------------|----------------|----------------|
| Horizontal pivot fittings – timber | | | |
| UNITAS 5 Bo, 7 Bo | 576-2950 | 700-2200 | up to 175 |
| UNITAS 10/22° | 576-2950 | 700-2200 | up to 300 |
| UNITAS 4 (circular window) | 424-2016 Ø | | up to 100 |
| FERCO 44 E | 576-1450 | 700-2000 | up to 80 |
| FERCO 45 E | 576-1450 | 700-2200 | up to 120 |
| Horizontal pivot fittings – PVC | | | |
| UNITAS 15, 16 | 576-2950 | 700-2200 | up to 175 |
| Horizontal pivot fittings – aluminium | | | |
| UNITAS 18 | 580- | 600- | up to 175 |
| Vertical pivot fittings | | | |
| UNITAS 93 Bo (timber) | 782-1600 | 1250-2350 | up to 175 |
| UNITAS 88 (aluminium) | 600- | 600- | up to 175 |



Fan-light openers

Slimline opener with face-fixed stays for tilt (bottom hung inward opening) units with one or more sashes.

- Vertical and horizontal rods covered with aluminium profile
- Operation via lever handle, vertical gear or corner gear. Electric drives for individual or group control
- Fittings for rectangular, oblique angle head, arch head and segmental arch head tilt windows, also in Se version.
- Fittings for top hung outward opening windows



Technical details, fitting variants

| Fitting variants | Sash width mm | Sash height mm | Opening width mm |
|----------------------------------|---------------|----------------|------------------|
| Timber, PVC and aluminium | | | |
| VENTUS F 200 | 400-3600 | from 250 | 165 / 200 |
| VENTUS F 300 | 620-3600 | from 350 | 220 / 300 |

G.U security stay EURO-SOLID

- Secure holding of tilt sashes after disengagement of the opening stay – e.g. for cleaning the outside face

G.U-DUCO ventilators, sound absorbing ventilators

Ventilators manufactured from extruded aluminium profiles for adjustable, energy saving and sound reducing ventilation. Installation in the frame or glazing rebate of timber, PVC and aluminium windows.

G.U-DUCO ventilators

- Thermally broken flap and rotating drum ventilators with sealing lips or finseal brushes
- Controlled via lever, rod or cord
- Max. length of ventilator: 3000 mm
- Installation at top or bottom of glazing

UNITAS sound absorbing ventilator, type 100

- Sound absorbing ventilator with or without fan, fan performance 50 m³/h
- Sound reduction factor $R_w = 32$ to 50 dB
- Installation in frame or glazing rebate

G.U-SILENCIO sound absorbing ventilator

- Through-the-wall sound absorbing ventilator, telescopic tube with 85 mm or 105 mm diameter



Aluminium thresholds

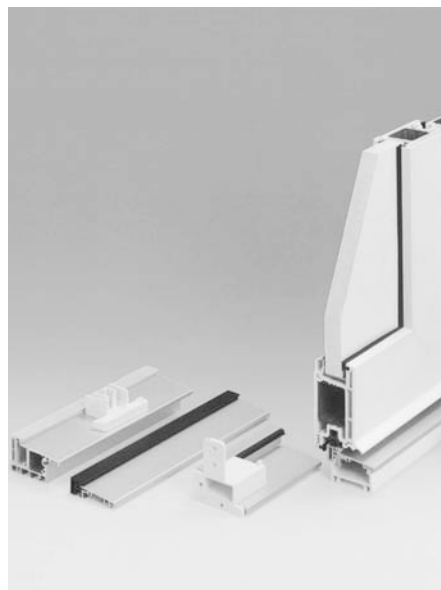
for timber and PVC house entrance doors – new buildings and renovation.

The thermal break of thresholds considerably reduces the heat flow at the bottom of glazed doors.

The importance of thermal break:

With normal interior air conditions – interior temperature +20° C, relative air humidity 50% – condensate forms with a surface temperature of approximately +9,2° C (dew point temperature).

With normal outside temperatures (down to -10° C in winter), the efficient thermal break of G.U thresholds achieves a surface temperature clearly higher than +9,2° C. The formation of condensate is prevented, the bottom area of the door will not suffer from moisture, a sound building structure will be protected and preserved.



Applications:

The threshold programme offers variants for

- New buildings and renovation
- House entrance and patio doors of timber and PVC
- Barrier free living to DIN 18025
- Versatile accessories providing solutions for complicated installation conditions
- Threshold-to-frame connectors for all current profiles

Safety door locks

Safety door locks G.U-SECURY and SECURY-EUROPA for burglary-resistant main and secondary entrance doors made of timber, PVC and aluminium, and for house and flat entrance doors with timber and steel frames.

- Door locks for burglary-resistant doors
 - WK 2 and WK 3 tested, VdS tested to class A
- Variants with manual, automatic or motor driven locking and unlocking
- Additional locks with the locking variants Automatic deadbolt, double deadbolt, solid deadbolt, locking claw, locking bolt, roller pin
- Automatic deadbolt, double deadbolt, solid deadbolt, locking claw and locking bolt secured against being pushed back
- Deadbolt throw 20 mm, engagement of the locking elements in latch plates / locking plates or locking rods across the entire height of the door



- Panic functions
- Backsets from 26 to 90, centres 92 / 72, spindle 8, 9 and 10 mm
- Available in various forend widths and forend lengths
- Multipoint lock operated via profile cylinder, turn handle, motor, mechanic-automatic operation

Mortise locks

Escape door systems to DIN EN 179 and DIN EN 1125

- Panic locks and latch plates for single and double leaf door units



Standard locks

- DIN standard locks for timber, steel and narrow stile house/flat entrance and internal doors

Self-locking locks

Series 21 for timber and steel doors, Series 19 for narrow stile doors

- 2 point locking with Automatic deadbolting latches
- Suitable from entrance doors to escape doors

Heavy duty locks

- For all kinds of project doors – heavy duty locks class 5 are designed for the use on highly frequented doors.

Narrow stile locks series 1800

- Approved for standard narrow stile, fire protection and smoke protection doors
- Choice of escape door functions for various requirements on single and double leaf narrow stile doors

Panic locks series 23

- For timber and steel doors. For various requirements on single and double leaf fire protection, smoke protection and escape doors

Cabinet, furniture and padlocks

- Wide range of locks for standard and security applications, also available in master keyed versions



Locking cylinders and master key suites

Cylinder system series 88

- Conventional profile cylinders for single differ and keyed alike applications

Cylinder system series 31

- Profile cylinders for registered differ and suited applications

Cylinder system series 33 (system SL)

- Security profile cylinders with additional side bar locking

Cylinder system series 37

- Profile cylinders for registered differ

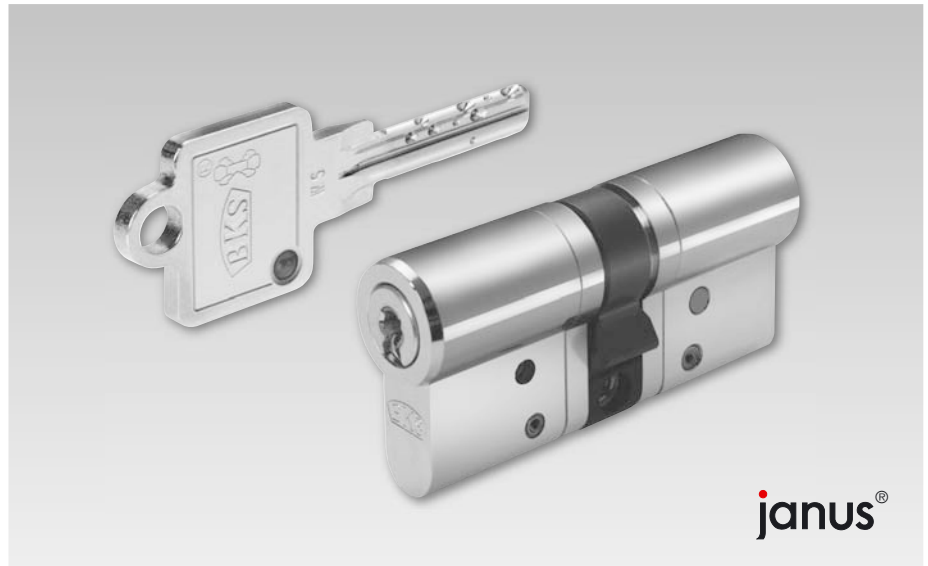
Cylinder system series 45 janus

(reversible key system)

- For registered differ and complex master key suites
- Variable cylinder length (Sandwich design)

Electronic cylinders

- Electronic locking system in combination with series 45 janus



Cylinder system series 50

- Reversible key system for single differ and keyed alike locking as well as for registered differ and master key suites

Master key suites

- Central master key systems for multi-family residences
- Grand-master key systems for large buildings

Door furniture

Escape door systems to

DIN EN 179 and DIN EN 1125

- Door handles and push bars for single and double leaf door units

Furniture for internal doors

- In aluminium, stainless steel and brass

Project furniture to DIN EN 1906

- Versatile range of project furniture with choice of handle designs and backplates in a variety of materials

Security furniture

- Complete programme of attractive designs for improved security
- DIN EN 1906 tested – protection classes 1, 2, 3, 4 and standard version

Security furniture for narrow stile doors

- Security furniture with DIN EN 1906 certification

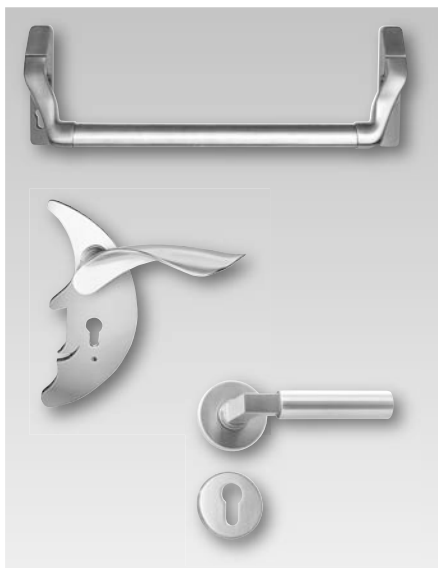
- In stainless steel, brass and aluminium

Push bars and escutcheons

- Push bars in a choice of designs
- Escutcheons with EN certification

Designer furniture

- In stainless steel for sophisticated projects
- Also for private applications – the backplate can be made to your own design and combined with any turn handle



Door closers OTS, floor springs UTS

Door closers for single and double leaf doors.

| Door closer/floor spring type | Description |
|----------------------------------|--|
| OTS 80 | Coil and crank door closer |
| OTS 81 | Platform door closer to DIN 18263, part 1 |
| OTS 140, 210, 320, 430, 440, 530 | Rack and pinion door closers with scissor action arm |
| OTS 630, 730 | Linear drive door closers with slide channel |
| OTS variants: | Hold open arm, delayed closing action, mechanic / electromechanic hold open, integrated smoke detector and door leaf coordinator |
| OTS 82 | For internal and double swing doors |
| OTS 85 F | For fire and smoke protection doors to DIN EN 1154 |
| OTS variants: | Hydraulic or electrohydraulic hold open, swing free free operation, integrated door leaf coordinator |
| OTS 840 | For double swing doors |



Rebate door closers series FTS

FTS 20, FTS 24: Rebate door closers for concealed hinge side installation in the vertical door rebate, e.g. for round arch head doors

Electronic access control

In buildings with complex organisational structures and high demands on security, individual access control provides

- Protection of people and property
- Selective control of staff and visitor flows
- Protection of the building from outside
- Authorisation selected by person, room and time
- Quick and easy change of authorisations
- Logging of all effected and attempted accesses

The components

Depending on particular requirements, ESI access control allows for the combination of the following components with each other:

- Electronic cylinder system janus SE series 53
- Electric-clutch (EK) lock and door opener each with transponder key, transponder card or transponder key fob for G.U-BKS wall-mounted reader
- SE access control: trendsetting for any application



Escape route security

The escape route security control system of BKS offers efficient protection against the misuse of escape doors and against burglary. Moreover, it prevents persons from unauthorised access to danger zones. The escape door function is always maintained.

FT-SK

- The BKS-FT-SK module is a preprogrammed escape door control module which can be used both as an individual door control and networked. Programming is effected via jumerps or the integrated USB interface. All connecting cables are preassembled which allows for the effortless installation of the control within a few minutes.

FT-Alarm

- Simple monitoring of individual escape doors.

FT-Control unit BKS-PSS 0

- Networking of several escape doors of different monitoring and security levels via a central control unit.

FT-Control unit BKS-PSS 1

- Decentralised control of escape doors (also of individual doors). The functions of the door centrals are adapted to individual requirements via PC configuration.



Automatic entrance systems



ATS sliding door systems offer functionality, cost-effectiveness and security wherever they are applied. Based on microprocessor controlled drive units with small installation height, the comprehensive delivery programme provides convenient and barrier-free entrance solutions. Slim frame profiles emphasise the sophisticated door design.

All door systems are TÜV (German Technical Supervisory Association) tested for the use with emergency and escape routes!

Sliding doors

- Creation of fine entrances with slim drive units
- User-friendly opening and closing

Telescopic sliding doors

- Large passage areas even in restricted structural openings
- Stylish appearance due to slim frame profiles

Curved sliding doors

- For entrances with sophisticated architecture
- Slim drive unit with integrated safety sensors

Prismatic sliding doors

- Passage convenience combined with impressive entrance design
- Available in any angle from 90° to 179°

Swing door drives

Drive units for single and double sash swing doors, suitable for the installation in all locations. Safe and simple operation. Easy retrofitting of manual doors in the course of renovation. Suitable for the use with fire and smoke protection doors. A drive variant for infloor assembly is also part of the programme.

Revolving door systems

Revolving door systems are suitable for a large variety of applications. Meeting individual demands in dimensions and design, they provide functional building entrances with efficient protection against sound and air draught.

Revolving doors

- Operation manual or with fully automatic drive system
- Convenient and safe passage with 3- or 4-chamber system
- Individual creative solutions for sophisticated building architecture
- Innovative door design, e.g. all glass construction with glass roof and inflloor drive

Security doors

Security revolving doors and security interlocked curved sliding doors for all applications where a high degree of security is required, e.g. in banks, ministries, computer centres.

- Controlled admission of authorised persons via integrated electronic access control system
- Protection of main and side entrances without additional staff



All glass sliding partitions

Partition wall systems allow for individual applications in commercial buildings, banks and shop in shop areas in shopping centres.

Manual and fully automatic all glass sliding partitions

- Variable room division
- Separation of areas to create representative show rooms
- Unlimited creative solutions according to requirements due to linear, curved or segmented variants.
- Convenient opening and closing at the push of a button or manual operation – all at the customer's option

System solutions for the security of buildings

G.U-BKS window and door management offers state-of-the-art locking technology, reliable monitoring and intelligent information technology all from one source:

- Access control
- Escape route control
- Burglary and danger alarm technology
- Door closers and hold open systems
- Smoke and heat evacuation systems
- Video monitoring
- Panel technology, signalling technology

The ideal combination of the products from the comprehensive locking and security technology range with an EDP based management system allows for the planning

and realisation of custom-tailored solutions. A large variety of project requirements can be fulfilled by networking various systems and integrating them in the G.U-BKS security management system.

Moreover, it is possible to integrate any other security, building management and communication technology system – even spanning manufacturers and trades. This provides optimum operational reliability, efficiency and convenience to the operators of office buildings and industrial facilities with complex requirements. A large number of well-known international references from various fields of application give proof of the efficiency and flexibility of this successful concept of system integration.



Services

The services provided by the G.U group comprise ordering, information, planning and administration.

CIS – Customer Information System

- Ordering and information system processing orders and invoices

Tendering service

- Internet based module for the creation of complex specification clauses classified by product divisions

HardwareManager

- Determination, composition and ordering of hardware sets for timber and PVC windows and patio doors

KeyManager

- Professional software for the administration of master keyed locking suites

MKS – MasterKeySystem

- Internet based platform for planning and ordering master keyed locking suites

Hardware data service

- Determination of individual hardware solutions and supply of data for CNC based window fabrication



The newly developed sealing ferGUard* silver sets the standard

Surface coating free of chromate providing optimum corrosion protection = ferGUard

- Over the years, plaster, cement, paint and cleaning detergents considerably affect the surface of builder's hardware. Possible consequence: claims
- Due to the surface sealing ferGUard* silver, damage through corrosion involving reclamation is reliably prevented. The finish ferGUard* silver consists of a new combined coating (zinc + passivation without hexavalent chromium + additional coating) of superior anti-corrosive qualities.
- The coats are applied without organic components, heavy metals and hexavalent chromium; that is, the new surface sealing ferGUard* silver is environment-friendly and up to date.
- Another advantage:
The new finish ferGUard* silver produces an impressively even, silvery finish on the fitting parts: A new, additional sales argument with your customers.

How does the additional coating work?

As before, the fitting parts are protected by a zinc coat with succeeding yellow passivation (method: zinc + standard chromizing).

The new additional coat was developed in cooperation with leading suppliers of chemical engineering and with the automotive industry.

After the usual treatment, the fitting components are covered with an inorganic coat in an additional procedure.

This process step is carried out on a fully automatic and computer controlled production line.

The additional coat deeply permeates into the passivated coat, sealing the whole component firmly and permanently.

Special corrosion inhibitors additionally retard the beginning of corrosion.

All in all, the new **G.U finish** offers to dealers, manufacturers and customers a large variety of **advantages**:

- Considerably improved corrosion protection due to additional coating.
- Longer product life of windows and doors.
- Without organic components and heavy metals, the new G.U finish is environment-friendly and up to date.
- If there is mechanic damage to the surface or if a component is cut (e.g. forend cut to length), the blank spot will not corrode due to the sacrificial protective effect of the zinc coat.
- Fewer customer claims due to a finish more resistant against detergents and household chemicals than others.
- Even, silvery finish of fitting parts throughout our complete product range.
- Complying with the environmental regulations of the EC, our newly developed coating system ferGUard* silver does not contain hexavalent chromium.



Lined writing area consisting of 25 horizontal lines.



Gretsch-Unitas GmbH
Baubeschläge
D-71252 Ditzingen
Phone +49 7156 301-0
Fax +49 7156 301-293
www.g-u.de

As a specialist manufacturer of hardware and ventilators, Gretsch-Unitas have been, for many years, the brand leader in several product areas. The market acceptability of the wide ranging product programme of builder's hardware and ventilators with up-to-date technology and design is proved in daily competition.



BKS GmbH
Postfach 10 02 10
D-42502 Velbert
Phone +49 2051 201-0
Fax +49 2051 201-431
www.bks.de

The BKS name has been synonymous with security for more than one hundred years. The traditional Velbert company brings proven products and an outstanding reputation – earned through undisputed product quality – to the Gretsch-Unitas Group.



FERCO International S.A.S.
F-57401 Sarrebourg
Phone +33 387 23 31 11
Fax +33 387 03 54 06
www.ferco.fr

FERCO INTERNATIONAL is France's largest and most widely used builder's hardware supplier. The extensive programme of modern hardware is distributed world wide.



ATS GmbH
Automatik-Tür-Systeme
Stahlstraße 8
D-33378 Rheda-Wiedenbrück
Phone +49 5242 924-0
Fax +49 5242 924-100
www.atstueren.de

The business range "entrance systems" encloses projection, production, distribution, assembly and service of automatic door installations. With ATS the G.U Group extends the supply of system solutions for windows, internal and external doors as well as for façades.



Gretsch-Unitas GmbH
Baubeschläge
Johann-Maus-Straße 3
D-71254 Ditzingen
Phone +49 7156 301-0
Fax +49 7156 301-293
www.g-u.de

BKS GmbH
Heidestraße 71
D-42549 Velbert
Phone +49 2051 201-0
Fax +49 2051 201-431
www.bks.de